

MSP430x4xx Family

User's Guide

Preface

Read This First

About This Manual

This manual discusses modules and peripherals of the MSP430x4xx family of devices. Each discussion presents the module or peripheral in a general sense. Not all features and functions of all modules or peripherals are present on all devices. In addition, modules or peripherals may differ in their exact implementation between device families, or may not be fully implemented on an individual device or device family.

Pin functions, internal signal connections and operational parameters differ from device to device. The user should consult the device-specific data sheet for these details.

Related Documentation From Texas Instruments

For related documentation see the web site <http://www.ti.com/msp430>.

FCC Warning

This equipment is intended for use in a laboratory test environment only. It generates, uses, and can radiate radio frequency energy and has not been tested for compliance with the limits of computing devices pursuant to subpart J of part 15 of FCC rules, which are designed to provide reasonable protection against radio frequency interference. Operation of this equipment in other environments may cause interference with radio communications, in which case the user at his own expense will be required to take whatever measures may be required to correct this interference.

Notational Conventions

Program examples, are shown in a special typeface.

Glossary

ACLK	Auxiliary Clock	See <i>Basic Clock Module</i>
ADC	Analog-to-Digital Converter	
BOR	Brown-Out Reset	See <i>System Resets, Interrupts, and Operating Modes</i>
BSL	Bootstrap Loader	See www.ti.com/msp430 for application reports
CPU	Central Processing Unit	See <i>RISC 16-Bit CPU</i>
DAC	Digital-to-Analog Converter	
DCO	Digitally Controlled Oscillator	See <i>FLL+ Module</i>
dst	Destination	See <i>RISC 16-Bit CPU</i>
FLL	Frequency Locked Loop	See <i>FLL+ Module</i>
GIE	General Interrupt Enable	See <i>System Resets Interrupts and Operating Modes</i>
INT(N/2)	Integer portion of N/2	
I/O	Input/Output	See <i>Digital I/O</i>
ISR	Interrupt Service Routine	
LSB	Least-Significant Bit	
LSD	Least-Significant Digit	
LPM	Low-Power Mode	See <i>System Resets Interrupts and Operating Modes</i>
MAB	Memory Address Bus	
MCLK	Master Clock	See <i>FLL+ Module</i>
MDB	Memory Data Bus	
MSB	Most-Significant Bit	
MSD	Most-Significant Digit	
NMI	(Non)-Maskable Interrupt	See <i>System Resets Interrupts and Operating Modes</i>
PC	Program Counter	See <i>RISC 16-Bit CPU</i>
POR	Power-On Reset	See <i>System Resets Interrupts and Operating Modes</i>
PUC	Power-Up Clear	See <i>System Resets Interrupts and Operating Modes</i>
RAM	Random Access Memory	
SCG	System Clock Generator	See <i>System Resets Interrupts and Operating Modes</i>
SFR	Special Function Register	
SMCLK	Sub-System Master Clock	See <i>FLL+ Module</i>
SP	Stack Pointer	See <i>RISC 16-Bit CPU</i>
SR	Status Register	See <i>RISC 16-Bit CPU</i>
src	Source	See <i>RISC 16-Bit CPU</i>
TOS	Top-of-Stack	See <i>RISC 16-Bit CPU</i>
WDT	Watchdog Timer	See <i>Watchdog Timer</i>

Register Bit Conventions

Each register is shown with a key indicating the accessibility of the each individual bit, and the initial condition:

Register Bit Accessibility and Initial Condition

Key	Bit Accessibility
rw	Read/write
r	Read only
r0	Read as 0
r1	Read as 1
w	Write only
w0	Write as 0
w1	Write as 1
(w)	No register bit implemented; writing a 1 results in a pulse. The register bit is always read as 0.
h0	Cleared by hardware
h1	Set by hardware
-0,-1	Condition after PUC
-(0),-(1)	Condition after POR



1	Introduction	1-1
1.1	Architecture	1-2
1.2	Flexible Clock System	1-2
1.3	Embedded Emulation	1-3
1.4	Address Space	1-4
1.4.1	Flash/ROM	1-4
1.4.2	RAM	1-5
1.4.3	Peripheral Modules	1-5
1.4.4	Special Function Registers (SFRs)	1-5
1.4.5	Memory Organization	1-5
2	System Resets, Interrupts, and Operating Modes	2-1
2.1	System Reset and Initialization	2-2
2.1.1	Brownout Reset (BOR)	2-3
2.1.2	Device Initial Conditions After System Reset	2-4
2.2	Interrupts	2-5
2.2.1	(Non)-Maskable Interrupts (NMI)	2-6
2.2.2	Maskable Interrupts	2-9
2.2.3	Interrupt Processing	2-10
2.2.4	Interrupt Vectors	2-12
2.2.5	Special Function Registers (SFRs)	2-12
2.3	Operating Modes	2-13
2.3.1	Entering and Exiting Low-Power Modes	2-15
2.4	Principles for Low-Power Applications	2-16
2.5	Connection of Unused Pins	2-16

3	RISC 16-Bit CPU	3-1
3.1	CPU Introduction	3-2
3.2	CPU Registers	3-4
3.2.1	Program Counter (PC)	3-4
3.2.2	Stack Pointer (SP)	3-5
3.2.3	Status Register (SR)	3-6
3.2.4	Constant Generator Registers CG1 and CG2	3-7
3.2.5	General-Purpose Registers R4 to R15	3-8
3.3	Addressing Modes	3-9
3.3.1	Register Mode	3-10
3.3.2	Indexed Mode	3-11
3.3.3	Symbolic Mode	3-12
3.3.4	Absolute Mode	3-13
3.3.5	Indirect Register Mode	3-14
3.3.6	Indirect Autoincrement Mode	3-15
3.3.7	Immediate Mode	3-16
3.4	Instruction Set	3-17
3.4.1	Double-Operand (Format I) Instructions	3-18
3.4.2	Single-Operand (Format II) Instructions	3-19
3.4.3	Jumps	3-20
3.4.4	Instruction Cycles and Lengths	3-72
3.4.5	Instruction Set Description	3-74
4	16-Bit MSP430X CPU	4-1
4.1	CPU Introduction	4-2
4.2	Interrupts	4-4
4.3	CPU Registers	4-5
4.3.1	The Program Counter PC	4-5
4.3.2	Stack Pointer (SP)	4-7
4.3.3	Status Register (SR)	4-9
4.3.4	The Constant Generator Registers CG1 and CG2	4-11
4.3.5	The General Purpose Registers R4 to R15	4-12
4.4	Addressing Modes	4-15
4.4.1	Register Mode	4-16
4.4.2	Indexed Mode	4-18
4.4.3	Symbolic Mode	4-24
4.4.4	Absolute Mode	4-29
4.4.5	Indirect Register Mode	4-32
4.4.6	Indirect, Autoincrement Mode	4-33
4.4.7	Immediate Mode	4-34
4.5	MSP430 and MSP430X Instructions	4-36
4.5.1	MSP430 Instructions	4-37
4.5.2	MSP430X Extended Instructions	4-44
4.6	Instruction Set Description	4-58
4.6.1	Extended Instruction Binary Descriptions	4-59
4.6.2	MSP430 Instructions	4-61
4.6.3	Extended Instructions	4-113
4.6.4	Address Instructions	4-156

5	FLL+ Clock Module	5-1
5.1	FLL+ Clock Module Introduction	5-2
5.2	FLL+ Clock Module Operation	5-8
5.2.1	FLL+ Clock features for Low-Power Applications	5-8
5.2.2	Internal Very Low-Power, Low-Frequency Oscillator	5-9
5.2.3	LFXT1 Oscillator	5-9
5.2.4	XT2 Oscillator	5-10
5.2.5	Digitally Controlled Oscillator (DCO)	5-11
5.2.6	Frequency Locked Loop (FLL)	5-11
5.2.7	DCO Modulator	5-12
5.2.8	Disabling the FLL Hardware and Modulator	5-13
5.2.9	FLL Operation from Low-Power Modes	5-13
5.2.10	Buffered Clock Output	5-13
5.2.11	FLL+ Fail-Safe Operation	5-14
5.3	FLL+ Clock Module Registers	5-15
6	Flash Memory Controller	6-1
6.1	Flash Memory Introduction	6-2
6.2	Flash Memory Segmentation	6-4
6.2.1	SegmentA on MSP430FG47x, MSP430F47x, MSP430F47x3/4, and MSP430F471xx Devices	6-5
6.3	Flash Memory Operation	6-6
6.3.1	Flash Memory Timing Generator	6-6
6.3.2	Erasing Flash Memory	6-7
6.3.3	Writing Flash Memory	6-11
6.3.4	Flash Memory Access During Write or Erase	6-17
6.3.5	Stopping a Write or Erase Cycle	6-18
6.3.6	Marginal Read Mode	6-18
6.3.7	Configuring and Accessing the Flash Memory Controller	6-18
6.3.8	Flash Memory Controller Interrupts	6-19
6.3.9	Programming Flash Memory Devices	6-19
6.4	Flash Memory Registers	6-21
7	Supply Voltage Supervisor	7-1
7.1	SVS Introduction	7-2
7.2	SVS Operation	7-4
7.2.1	Configuring the SVS	7-4
7.2.2	SVS Comparator Operation	7-4
7.2.3	Changing the VLDx Bits	7-5
7.2.4	SVS Operating Range	7-6
7.3	SVS Registers	7-7
8	16-Bit Hardware Multiplier	8-1
8.1	Hardware Multiplier Introduction	8-2
8.2	Hardware Multiplier Operation	8-3
8.2.1	Operand Registers	8-3
8.2.2	Result Registers	8-4
8.2.3	Software Examples	8-5
8.2.4	Indirect Addressing of RESLO	8-6
8.2.5	Using Interrupts	8-6
8.3	Hardware Multiplier Registers	8-7

9	32-Bit Hardware Multiplier	9-1
9.1	32-Bit Hardware Multiplier Introduction	9-2
9.2	32-Bit Hardware Multiplier Operation	9-4
9.2.1	Operand Registers	9-5
9.2.2	Result Registers	9-7
9.2.3	Software Examples	9-9
9.2.4	Fractional Numbers	9-10
9.2.5	Putting It All Together	9-15
9.2.6	Indirect Addressing of Result Registers	9-17
9.2.7	Using Interrupts	9-18
9.2.8	Using DMA	9-20
9.3	32-Bit Hardware Multiplier Registers	9-21
10	DMA Controller	10-1
10.1	DMA Introduction	10-2
10.2	DMA Operation	10-4
10.2.1	DMA Addressing Modes	10-4
10.2.2	DMA Transfer Modes	10-5
10.2.3	Initiating DMA Transfers	10-12
10.2.4	Stopping DMA Transfers	10-15
10.2.5	DMA Channel Priorities	10-15
10.2.6	DMA Transfer Cycle Time	10-16
10.2.7	Using DMA with System Interrupts	10-17
10.2.8	DMA Controller Interrupts	10-17
10.2.9	DMAIV, DMA Interrupt Vector Generator	10-17
10.2.10	Using the USCI_B I2C Module with the DMA Controller	10-19
10.2.11	Using ADC12 with the DMA Controller	10-19
10.2.12	Using DAC12 With the DMA Controller	10-19
10.2.13	Using SD16 or SD16_A With the DMA Controller	10-20
10.2.14	Writing to Flash With the DMA Controller	10-20
10.3	DMA Registers	10-21
11	Digital I/O	11-1
11.1	Digital I/O Introduction	11-2
11.2	Digital I/O Operation	11-3
11.2.1	Input Register PxIN	11-3
11.2.2	Output Registers PxOUT	11-3
11.2.3	Direction Registers PxDIR	11-3
11.2.4	Pullup/Pulldown Resistor Enable Registers PxREN (MSP430F47x3/4 and MSP430F471xx only)	11-4
11.2.5	Function Select Registers PxSEL	11-4
11.2.6	P1 and P2 Interrupts	11-5
11.2.7	Configuring Unused Port Pins	11-6
11.3	Digital I/O Registers	11-7

12	Watchdog Timer, Watchdog Timer+	12-1
12.1	Watchdog Timer Introduction	12-2
12.2	Watchdog Timer Operation	12-4
12.2.1	Watchdog Timer Counter	12-4
12.2.2	Watchdog Mode	12-4
12.2.3	Interval Timer Mode	12-4
12.2.4	Watchdog Timer Interrupts	12-5
12.2.5	WDT+ Enhancements	12-5
12.2.6	Operation in Low-Power Modes	12-6
12.2.7	Software Examples	12-6
12.3	Watchdog Timer Registers	12-7
13	Basic Timer1	13-1
13.1	Basic Timer1 Introduction	13-2
13.2	Basic Timer1 Operation	13-4
13.2.1	Basic Timer1 Counter One	13-4
13.2.2	Basic Timer1 Counter Two	13-4
13.2.3	16-Bit Counter Mode	13-4
13.2.4	Basic Timer1 Operation: Signal fLCD	13-5
13.2.5	Basic Timer1 Interrupts	13-5
13.3	Basic Timer1 Registers	13-6
14	Real Time Clock	14-1
14.1	RTC Introduction	14-2
14.2	Real-Time Clock Operation	14-4
14.2.1	Counter Mode	14-4
14.2.2	Calendar Mode	14-5
14.2.3	RTC and Basic Timer1 Interaction	14-5
14.2.4	Real-Time Clock Interrupts	14-6
14.3	Real-Time Clock Registers	14-7
15	Timer_A	15-1
15.1	Timer_A Introduction	15-2
15.2	Timer_A Operation	15-4
15.2.1	16-Bit Timer Counter	15-4
15.2.2	Starting the Timer	15-5
15.2.3	Timer Mode Control	15-5
15.2.4	Capture/Compare Blocks	15-11
15.2.5	Output Unit	15-13
15.2.6	Timer_A Interrupts	15-17
15.3	Timer_A Registers	15-19

16	Timer_B	16-1
16.1	Timer_B Introduction	16-2
16.1.1	Similarities and Differences From Timer_A	16-2
16.2	Timer_B Operation	16-4
16.2.1	16-Bit Timer Counter	16-4
16.2.2	Starting the Timer	16-5
16.2.3	Timer Mode Control	16-5
16.2.4	Capture/Compare Blocks	16-11
16.2.5	Output Unit	16-14
16.2.6	Timer_B Interrupts	16-18
16.3	Timer_B Registers	16-20
17	USART Peripheral Interface, UART Mode	17-1
17.1	USART Introduction: UART Mode	17-2
17.2	USART Operation: UART Mode	17-4
17.2.1	USART Initialization and Reset	17-4
17.2.2	Character Format	17-4
17.2.3	Asynchronous Communication Formats	17-5
17.2.4	USART Receive Enable	17-9
17.2.5	USART Transmit Enable	17-10
17.2.6	USART Baud Rate Generation	17-11
17.2.7	USART Interrupts	17-17
17.3	USART Registers: UART Mode	17-21
18	USART Peripheral Interface, SPI Mode	18-1
18.1	USART Introduction: SPI Mode	18-2
18.2	USART Operation: SPI Mode	18-4
18.2.1	USART Initialization and Reset	18-4
18.2.2	Master Mode	18-5
18.2.3	Slave Mode	18-6
18.2.4	SPI Enable	18-7
18.2.5	Serial Clock Control	18-9
18.2.6	SPI Interrupts	18-11
18.3	USART Registers: SPI Mode	18-13

19	Universal Serial Communication Interface, UART Mode	19-1
19.1	USCI Overview	19-2
19.2	USCI Introduction: UART Mode	19-3
19.3	USCI Operation: UART Mode	19-5
19.3.1	USCI Initialization and Reset	19-5
19.3.2	Character Format	19-5
19.3.3	Asynchronous Communication Formats	19-6
19.3.4	Automatic Baud Rate Detection	19-10
19.3.5	IrDA Encoding and Decoding	19-12
19.3.6	Automatic Error Detection	19-13
19.3.7	USCI Receive Enable	19-14
19.3.8	Receive Data Glitch Suppression	19-14
19.3.9	USCI Transmit Enable	19-15
19.3.10	UART Baud Rate Generation	19-15
19.3.11	Setting a Baud Rate	19-18
19.3.12	Transmit Bit Timing	19-19
19.3.13	Receive Bit Timing	19-20
19.3.14	Typical Baud Rates and Errors	19-21
19.3.15	Using the USCI Module in UART Mode with Low-Power Modes	19-25
19.3.16	USCI Interrupts	19-25
19.4	USCI Registers: UART Mode	19-27
20	Universal Serial Communication Interface, SPI Mode	20-1
20.1	USCI Overview	20-2
20.2	USCI Introduction: SPI Mode	20-3
20.3	USCI Operation: SPI Mode	20-5
20.3.1	USCI Initialization and Reset	20-6
20.3.2	Character Format	20-6
20.3.3	Master Mode	20-7
20.3.4	Slave Mode	20-9
20.3.5	SPI Enable	20-10
20.3.6	Serial Clock Control	20-11
20.3.7	Using the SPI Mode with Low Power Modes	20-12
20.3.8	SPI Interrupts	20-12
20.4	USCI Registers: SPI Mode	20-14
21	Universal Serial Communication Interface, I2C Mode	21-1
21.1	USCI Overview	21-2
21.2	USCI Introduction: I2C Mode	21-3
21.3	USCI Operation: I2C Mode	21-5
21.3.1	USCI Initialization and Reset	21-6
21.3.2	I2C Serial Data	21-7
21.3.3	I2C Addressing Modes	21-8
21.3.4	I2C Module Operating Modes	21-9
21.3.5	I2C Clock Generation and Synchronization	21-22
21.3.6	Using the USCI Module in I2C Mode With Low-Power Modes	21-23
21.3.7	USCI Interrupts in I2C Mode	21-24
21.4	USCI Registers: I2C Mode	21-26

22	OA	22-1
22.1	OA Introduction	22-2
22.2	OA Operation	22-4
22.2.1	OA Amplifier	22-4
22.2.2	OA Input	22-4
22.2.3	OA Output	22-4
22.2.4	OA Configurations	22-5
22.3	OA Modules in MSP430FG42x0 Devices	22-11
22.3.1	OA Amplifier	22-12
22.3.2	OA Inputs	22-12
22.3.3	OA Outputs	22-12
22.3.4	OA Configurations	22-12
22.3.5	Switch Control	22-14
22.3.6	Offset Calibration	22-15
22.4	OA Modules in MSP430FG47x Devices	22-16
22.4.1	OA Amplifier	22-18
22.4.2	OA Inputs	22-18
22.4.3	OA Outputs	22-18
22.4.4	OA Configurations	22-18
22.4.5	Switch Control of the FG47x devices	22-22
22.4.6	Offset Calibration	22-23
22.5	OA Registers	22-24
22.6	OA Registers in MSP430FG42x0 Devices	22-27
22.7	OA Registers in MSP430FG47x Devices	22-31
23	Comparator_A	23-1
23.1	Comparator_A Introduction	23-2
23.2	Comparator_A Operation	23-4
23.2.1	Comparator	23-4
23.2.2	Input Analog Switches	23-4
23.2.3	Output Filter	23-5
23.2.4	Voltage Reference Generator	23-5
23.2.5	Comparator_A, Port Disable Register CAPD	23-6
23.2.6	Comparator_A Interrupts	23-6
23.2.7	Comparator_A Used to Measure Resistive Elements	23-7
23.3	Comparator_A Registers	23-9
24	Comparator_A+	24-1
24.1	Comparator_A+ Introduction	24-2
24.2	Comparator_A+ Operation	24-4
24.2.1	Comparator	24-4
24.2.2	Input Analog Switches	24-4
24.2.3	Input Short Switch	24-5
24.2.4	Output Filter	24-6
24.2.5	Voltage Reference Generator	24-6
24.2.6	Comparator_A+, Port Disable Register CAPD	24-7
24.2.7	Comparator_A+ Interrupts	24-7
24.2.8	Comparator_A+ Used to Measure Resistive Elements	24-8
24.3	Comparator_A+ Registers	24-10

25	LCD Controller	25-1
25.1	LCD Controller Introduction	25-2
25.2	LCD Controller Operation	25-4
25.2.1	LCD Memory	25-4
25.2.2	Blinking the LCD	25-4
25.2.3	LCD Timing Generation	25-4
25.2.4	LCD Voltage Generation	25-5
25.2.5	LCD Outputs	25-5
25.2.6	Static Mode	25-6
25.2.7	2-Mux Mode	25-9
25.2.8	3-Mux Mode	25-12
25.2.9	4-Mux Mode	25-15
25.3	LCD Controller Registers	25-18
26	LCD_A Controller	26-1
26.1	LCD_A Controller Introduction	26-2
26.2	LCD_A Controller Operation	26-4
26.2.1	LCD Memory	26-4
26.2.2	Blinking the LCD	26-4
26.2.3	LCD_A Voltage And Bias Generation	26-5
26.2.4	LCD Timing Generation	26-8
26.2.5	LCD Outputs	26-8
26.2.6	Static Mode	26-9
26.2.7	2-Mux Mode	26-12
26.2.8	3-Mux Mode	26-15
26.2.9	4-Mux Mode	26-18
26.3	LCD Controller Registers	26-21
27	ADC10	27-1
27.1	ADC10 Introduction	27-2
27.2	ADC10 Operation	27-4
27.2.1	10-Bit ADC Core	27-4
27.2.2	ADC10 Inputs and Multiplexer	27-5
27.2.3	Voltage Reference Generator	27-6
27.2.4	Auto Power-Down	27-6
27.2.5	Sample and Conversion Timing	27-7
27.2.6	Conversion Modes	27-9
27.2.7	ADC10 Data Transfer Controller	27-15
27.2.8	Using the Integrated Temperature Sensor	27-21
27.2.9	ADC10 Grounding and Noise Considerations	27-22
27.2.10	ADC10 Interrupts	27-23
27.3	ADC10 Registers	27-24

28	ADC12	28-1
28.1	ADC12 Introduction	28-2
28.2	ADC12 Operation	28-4
28.2.1	12-Bit ADC Core	28-4
28.2.2	ADC12 Inputs and Multiplexer	28-5
28.2.3	Voltage Reference Generator	28-6
28.2.4	Auto Power-Down	28-6
28.2.5	Sample and Conversion Timing	28-7
28.2.6	Conversion Memory	28-10
28.2.7	ADC12 Conversion Modes	28-10
28.2.8	Using the Integrated Temperature Sensor	28-16
28.2.9	ADC12 Grounding and Noise Considerations	28-17
28.2.10	ADC12 Interrupts	28-18
28.3	ADC12 Registers	28-20
29	SD16	29-1
29.1	SD16 Introduction	29-2
29.2	SD16 Operation	29-4
29.2.1	ADC Core	29-4
29.2.2	Analog Input Range and PGA	29-4
29.2.3	Voltage Reference Generator	29-4
29.2.4	Auto Power-Down	29-4
29.2.5	Analog Input Pair Selection	29-5
29.2.6	Analog Input Characteristics	29-6
29.2.7	Digital Filter	29-7
29.2.8	Conversion Memory Registers: SD16MEMx	29-10
29.2.9	Conversion Modes	29-11
29.2.10	Conversion Operation Using Preload	29-14
29.2.11	Using the Integrated Temperature Sensor	29-16
29.2.12	Interrupt Handling	29-17
29.3	SD16 Registers	29-19
30	SD16_A	30-1
30.1	SD16_A Introduction	30-2
30.2	SD16_A Operation	30-5
30.2.1	ADC Core	30-5
30.2.2	Analog Input Range and PGA	30-5
30.2.3	Voltage Reference Generator	30-5
30.2.4	Auto Power-Down	30-5
30.2.5	Analog Input Pair Selection	30-6
30.2.6	Analog Input Characteristics	30-7
30.2.7	Digital Filter	30-8
30.2.8	Conversion Memory Register: SD16MEMx	30-12
30.2.9	Conversion Modes	30-14
30.2.10	Conversion Operation Using Preload	30-17
30.2.11	Using the Integrated Temperature Sensor	30-19
30.2.12	Interrupt Handling	30-20
30.3	SD16_A Registers	30-22

31 DAC12	31-1
31.1 DAC12 Introduction	31-2
31.2 DAC12 Operation	31-6
31.2.1 DAC12 Core	31-6
31.2.2 DAC12 Reference	31-7
31.2.3 Updating the DAC12 Voltage Output	31-8
31.2.4 DAC12_xDAT Data Format	31-9
31.2.5 DAC12 Output Amplifier Offset Calibration	31-10
31.2.6 Grouping Multiple DAC12 Modules	31-11
31.2.7 DAC12 Interrupts	31-12
31.3 DAC12 Registers	31-13
32 Scan IF	32-1
32.1 Scan IF Introduction	32-2
32.2 Scan IF Operation	32-4
32.2.1 Scan IF Analog Front End	32-4
32.2.2 Scan IF Timing State Machine	32-14
32.2.3 Scan IF Processing State Machine	32-20
32.2.4 Scan IF Debug Register	32-26
32.2.5 Scan IF Interrupts	32-27
32.2.6 Using the Scan IF with LC Sensors	32-28
32.2.7 Using the Scan IF With Resistive Sensors	32-32
32.2.8 Quadrature Decoding	32-33
32.3 Scan IF Registers	32-35
33 Embedded Emulation Module (EEM)	33-1
33.1 EEM Introduction	33-2
33.2 EEM Building Blocks	33-4
33.2.1 Triggers	33-4
33.2.2 Trigger Sequencer	33-5
33.2.3 State Storage (Internal Trace Buffer)	33-5
33.2.4 Clock Control	33-5
33.3 EEM Configurations	33-6



Introduction

This chapter describes the architecture of the MSP430.

Topic	Page
1.1 Architecture	1-2
1.2 Flexible Clock System	1-2
1.3 Embedded Emulation	1-3
1.4 Address Space	1-4

1.1 Architecture

The MSP430 incorporates a 16-bit RISC CPU, peripherals, and a flexible clock system that interconnect using a von Neumann common memory address bus (MAB) and memory data bus (MDB). Partnering a modern CPU with modular memory-mapped analog and digital peripherals, the MSP430 offers solutions for demanding mixed-signal applications.

Key features of the MSP430x4xx family include:

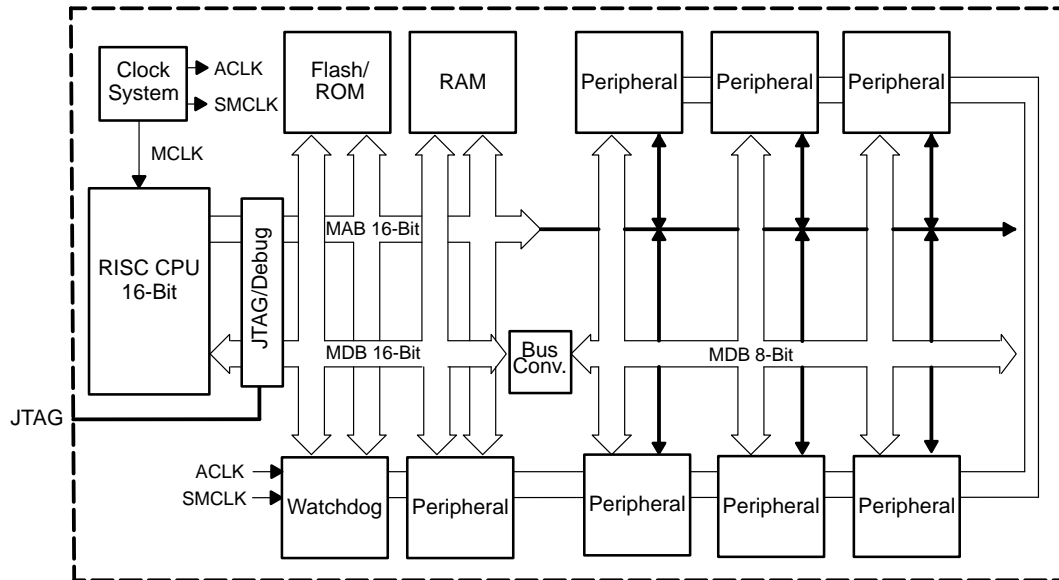
- Ultralow-power architecture extends battery life
 - 0.1- μ A RAM retention
 - 0.8- μ A real-time clock mode
 - 250- μ A / MIPS active
- High-performance analog ideal for precision measurement
 - 12-bit or 10-bit ADC — 200 ksps, temperature sensor, V_{Ref}
 - 12-bit dual DAC
 - Comparator-gated timers for measuring resistive elements
 - Supply voltage supervisor
- 16-bit RISC CPU enables new applications at a fraction of the code size.
 - Large register file eliminates working file bottleneck
 - Compact core design reduces power consumption and cost
 - Optimized for modern high-level programming
 - Only 27 core instructions and seven addressing modes
 - Extensive vectored-interrupt capability
- In-system programmable Flash permits flexible code changes, field upgrades, and data logging

1.2 Flexible Clock System

The clock system is designed specifically for battery-powered applications. A low-frequency auxiliary clock (ACLK) is driven directly from a common 32-kHz watch crystal. The ACLK can be used for a background real-time clock self wake-up function. An integrated high-speed digitally controlled oscillator (DCO) can source the master clock (MCLK) used by the CPU and high-speed peripherals. By design, the DCO is active and stable in less than 6 μ s. MSP430-based solutions effectively use the high-performance 16-bit RISC CPU in very short bursts.

- Low-frequency auxiliary clock = Ultralow-power standby mode
- High-speed master clock = High performance signal processing

Figure 1–1. MSP430 Architecture



1.3 Embedded Emulation

Dedicated embedded emulation logic resides on the device itself and is accessed via JTAG using no additional system resources.

The benefits of embedded emulation include:

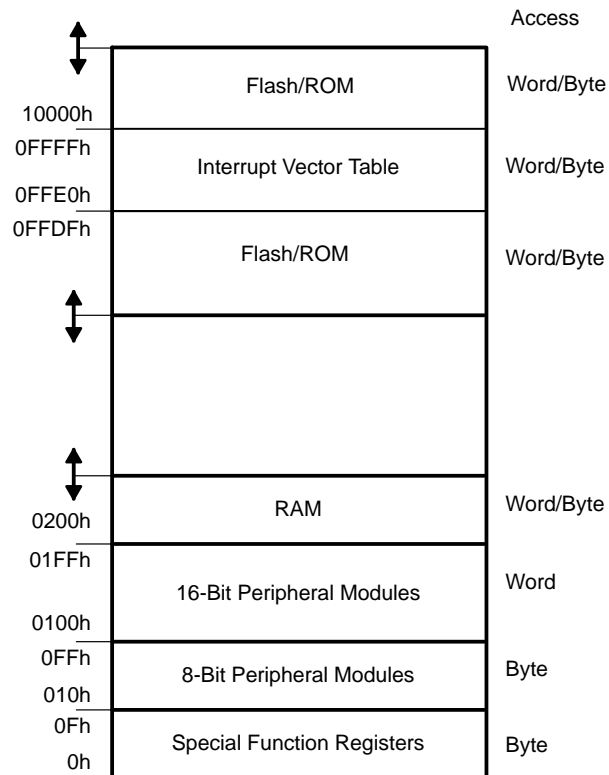
- Unobtrusive development and debug with full-speed execution, breakpoints, and single steps in an application are supported.
- Development is in-system and subject to the same characteristics as the final application.
- Mixed-signal integrity is preserved and not subject to cabling interference.

1.4 Address Space

The MSP430 von Neumann architecture has one address space shared with special function registers (SFRs), peripherals, RAM, and Flash/ROM memory as shown in Figure 1–2. See the device-specific data sheets for specific memory maps. Code access are always performed on even addresses. Data can be accessed as bytes or words.

The addressable memory space is 128 KB with future expansion planned.

Figure 1–2. Memory Map



1.4.1 Flash/ROM

The start address of Flash/ROM depends on the amount of Flash/ROM present and varies by device. The end address for Flash/ROM is 0FFFFh for devices with less than 60kB of Flash/ROM; otherwise, it is device dependent. Flash can be used for both code and data. Word or byte tables can be stored and used in Flash/ROM without the need to copy the tables to RAM before using them.

The interrupt vector table is mapped into the upper 16 words of Flash/ROM address space, with the highest priority interrupt vector at the highest Flash/ROM word address (0FFFEh).

1.4.2 RAM

RAM starts at 0200h. The end address of RAM depends on the amount of RAM present and varies by device. RAM can be used for both code and data.

1.4.3 Peripheral Modules

Peripheral modules are mapped into the address space. The address space from 0100 to 01FFh is reserved for 16-bit peripheral modules. These modules should be accessed with word instructions. If byte instructions are used, only even addresses are permissible, and the high byte of the result is always 0.

The address space from 010h to 0FFh is reserved for 8-bit peripheral modules. These modules should be accessed with byte instructions. Read access of byte modules using word instructions results in unpredictable data in the high byte. If word data is written to a byte module only the low byte is written into the peripheral register, ignoring the high byte.

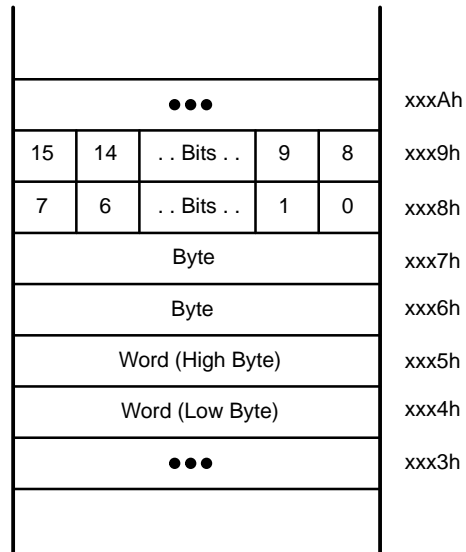
1.4.4 Special Function Registers (SFRs)

Some peripheral functions are configured in the SFRs. The SFRs are located in the lower 16 bytes of the address space and are organized by byte. SFRs must be accessed using byte instructions only. See the device-specific data sheets for applicable SFR bits.

1.4.5 Memory Organization

Bytes are located at even or odd addresses. Words are only located at even addresses as shown in Figure 1–3. When using word instructions, only even addresses may be used. The low byte of a word is always an even address. The high byte is at the next odd address. For example, if a data word is located at address xxx4h, then the low byte of that data word is located at address xxx4h, and the high byte of that word is located at address xxx5h.

Figure 1–3. Bits, Bytes, and Words in a Byte-Organized Memory



System Resets, Interrupts, and Operating Modes

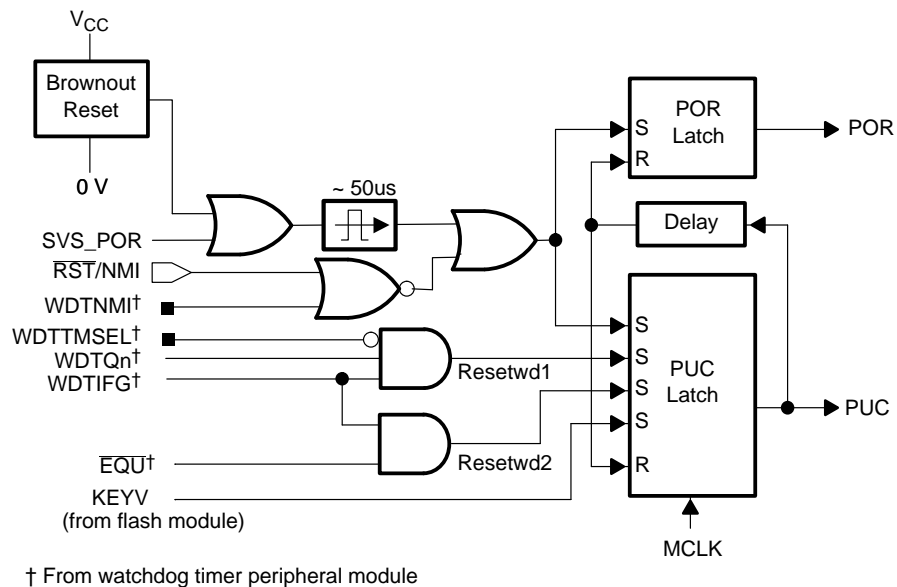
This chapter describes the MSP430x4xx system resets, interrupts, and operating modes.

Topic	Page
2.1 System Reset and Initialization	2-2
2.2 Interrupts	2-5
2.3 Operating Modes	2-13
2.4 Principles for Low-Power Applications	2-16
2.5 Connection of Unused Pins	2-16

2.1 System Reset and Initialization

The system reset circuitry shown in Figure 2–1 sources both a power-on reset (POR) and a power-up clear (PUC) signal. Different events trigger these reset signals and different initial conditions exist depending on which signal was generated.

Figure 2–1. Power-On Reset and Power-Up Clear Schematic



A POR is a device reset. A POR is only generated by the following three events:

- Powering up the device
- A low signal on the $\overline{\text{RST/NMI}}$ pin when configured in the reset mode
- An SVS low condition when $\text{PORON} = 1$.

A PUC is always generated when a POR is generated, but a POR is not generated by a PUC. The following events trigger a PUC:

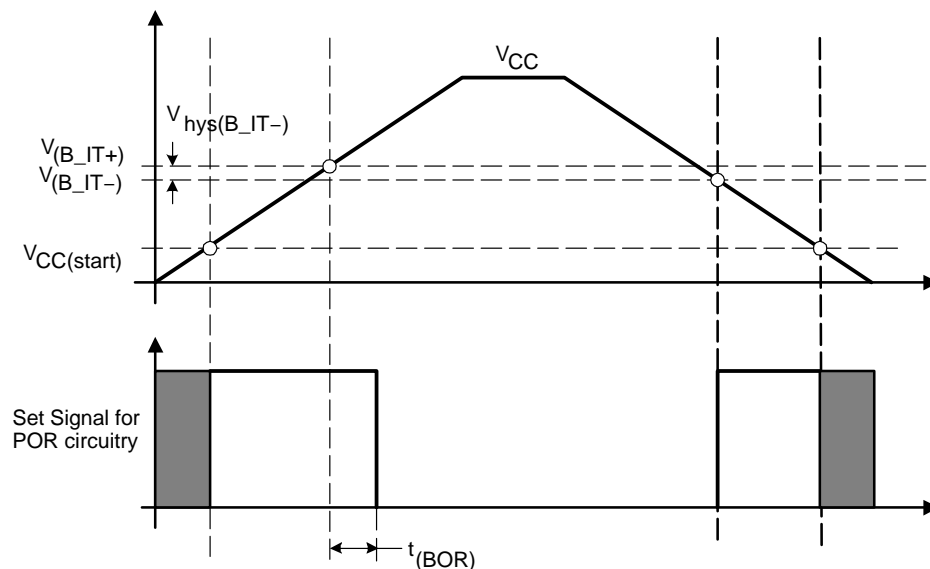
- A POR signal
- Watchdog timer expiration when in watchdog mode only
- Watchdog timer security key violation
- A Flash memory security key violation

2.1.1 Brownout Reset (BOR)

All MSP430x4xx devices have a brownout reset circuit. The brownout reset circuit detects low supply voltages such as when a supply voltage is applied to or removed from the V_{CC} terminal. The brownout reset circuit resets the device by triggering a POR signal when power is applied or removed. The operating levels are shown in Figure 2–2.

The POR signal becomes active when V_{CC} crosses the $V_{CC(start)}$ level. It remains active until V_{CC} crosses the $V_{(B_IT+)}$ threshold and the delay $t_{(BOR)}$ elapses. The delay $t_{(BOR)}$ is adaptive being longer for a slow ramping V_{CC} . The hysteresis $V_{hys(B_IT-)}$ ensures that the supply voltage must drop below $V_{(B_IT-)}$ to generate another POR signal from the brownout reset circuitry.

Figure 2–2. Brownout Timing



As the $V_{(B_IT-)}$ level is significantly above the $V_{(MIN)}$ level of the POR circuit, the BOR provides a reset for power failures where V_{CC} does not fall below $V_{(MIN)}$. See the device-specific data sheet for parameters.

2.1.2 Device Initial Conditions After System Reset

After a POR, the initial MSP430 conditions are:

- The $\overline{\text{RST}}$ /NMI pin is configured in the reset mode.
- I/O pins are switched to input mode as described in the *Digital I/O* chapter.
- Other peripheral modules and registers are initialized as described in their respective chapters in this manual.
- Status register (SR) is reset.
- The watchdog timer powers up active in watchdog mode.
- Program counter (PC) is loaded with address contained at reset vector location (0FFFEh). CPU execution begins at that address.

Software Initialization

After a system reset, user software must initialize the MSP430 for the application requirements. The following must occur:

- Initialize the SP, typically to the top of RAM.
- Initialize the watchdog to the requirements of the application.
- Configure peripheral modules to the requirements of the application.

Additionally, the watchdog timer, oscillator fault, and flash memory flags can be evaluated to determine the source of the reset.

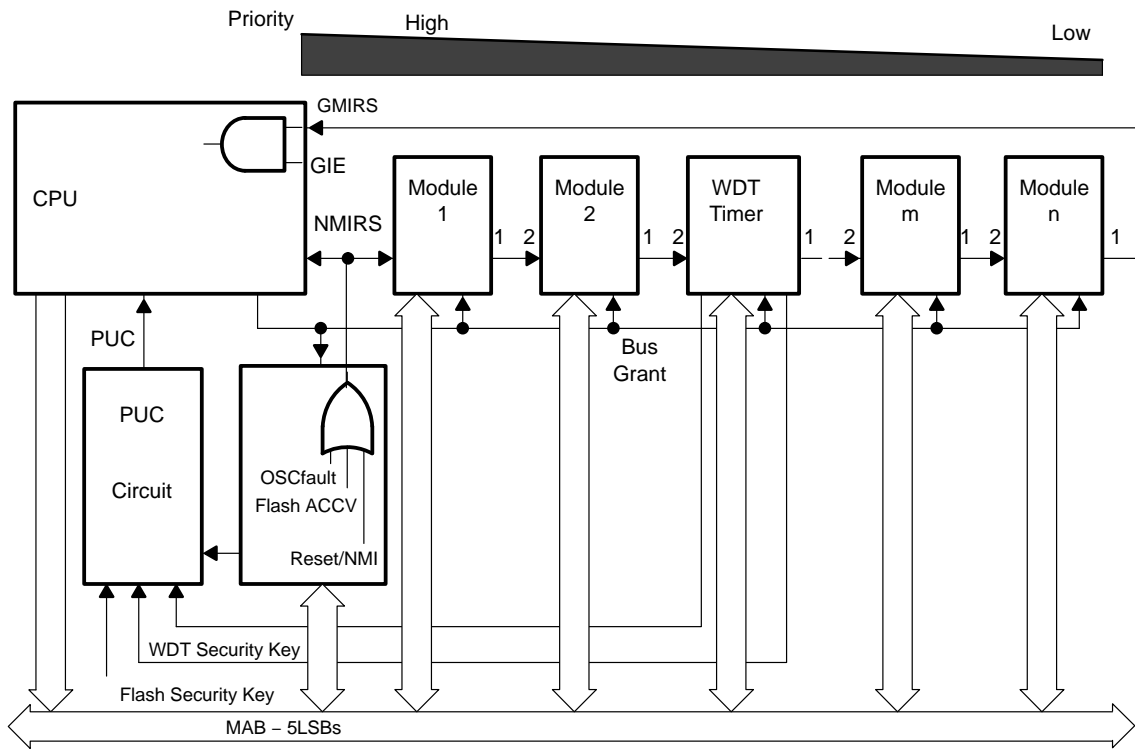
2.2 Interrupts

The interrupt priorities are fixed and defined by the arrangement of the modules in the connection chain as shown in Figure 2–3. The nearer a module is to the CPU/NMIRS, the higher the priority. Interrupt priorities determine what interrupt is taken when more than one interrupt is pending simultaneously.

There are three types of interrupts:

- System reset
- (Non)-maskable NMI
- Maskable

Figure 2–3. Interrupt Priority



2.2.1 (Non)-Maskable Interrupts (NMI)

(Non)-maskable NMI interrupts are not masked by the general interrupt enable bit (GIE), but are enabled by individual interrupt enable bits (ACCVIE, NMIIE, OFIE). When a NMI interrupt is accepted, all NMI interrupt enable bits are automatically reset. Program execution begins at the address stored in the (non)-maskable interrupt vector, 0FFFCh. User software must set the required NMI interrupt enable bits for the interrupt to be re-enabled. The block diagram for NMI sources is shown in Figure 2–4.

A (non)-maskable NMI interrupt can be generated by three sources:

- An edge on the $\overline{\text{RST}}/\text{NMI}$ pin when configured in NMI mode
- An oscillator fault occurs
- An access violation to the flash memory

Reset/NMI Pin

At power-up, the $\overline{\text{RST}}/\text{NMI}$ pin is configured in the reset mode. The function of the $\overline{\text{RST}}/\text{NMI}$ pins is selected in the watchdog control register WDTCTL. If the $\overline{\text{RST}}/\text{NMI}$ pin is set to the reset function, the CPU is held in the reset state as long as the $\overline{\text{RST}}/\text{NMI}$ pin is held low. After the input changes to a high state, the CPU starts program execution at the word address stored in the reset vector, 0FFFEh.

If the $\overline{\text{RST}}/\text{NMI}$ pin is configured by user software to the NMI function, a signal edge selected by the WDTNMIES bit generates an NMI interrupt if the NMIIE bit is set. The $\overline{\text{RST}}/\text{NMI}$ flag NMIIFG is also set.

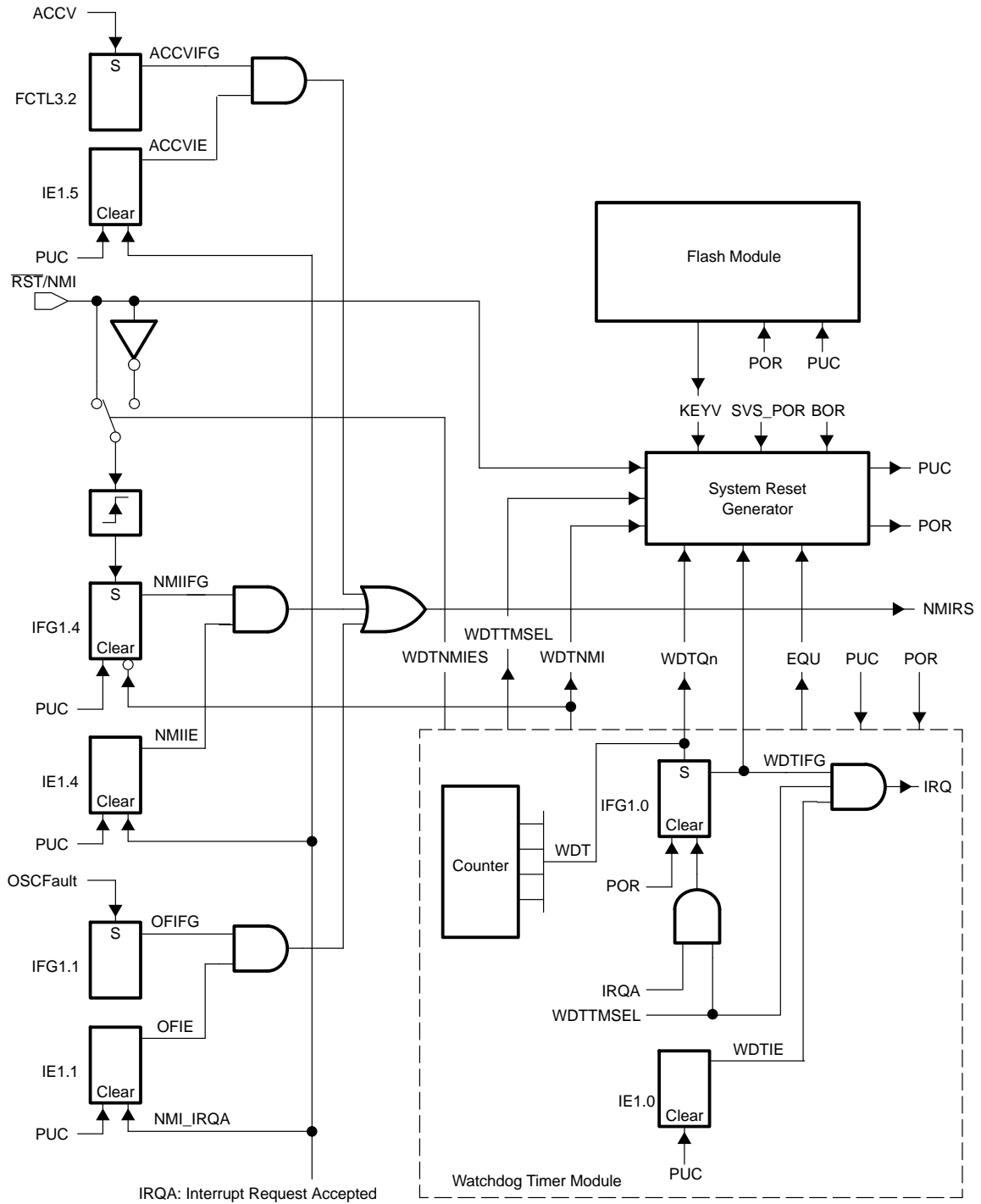
Note: Holding $\overline{\text{RST}}/\text{NMI}$ Low

When configured in the NMI mode, a signal generating an NMI event should not hold the $\overline{\text{RST}}/\text{NMI}$ pin low. If a PUC occurs from a different source while the NMI signal is low, the device will be held in the reset state because a PUC changes the $\overline{\text{RST}}/\text{NMI}$ pin to the reset function.

Note: Modifying WDTNMIES

When NMI mode is selected and the WDTNMIES bit is changed, an NMI can be generated, depending on the actual level at the $\overline{\text{RST}}/\text{NMI}$ pin. When the NMI edge select bit is changed before selecting the NMI mode, no NMI is generated.

Figure 2–4. Block Diagram of (Non)-Maskable Interrupt Sources



Oscillator Fault

The oscillator fault signal warns of a possible error condition with the crystal oscillator. The oscillator fault can be enabled to generate an NMI interrupt by setting the OFIE bit. The OFIFG flag can then be tested by NMI the interrupt service routine to determine if the NMI was caused by an oscillator fault.

A PUC signal can trigger an oscillator fault, because the PUC switches the LFXT1 to LF mode, therefore switching off the HF mode. The PUC signal also switches off the XT2 oscillator.

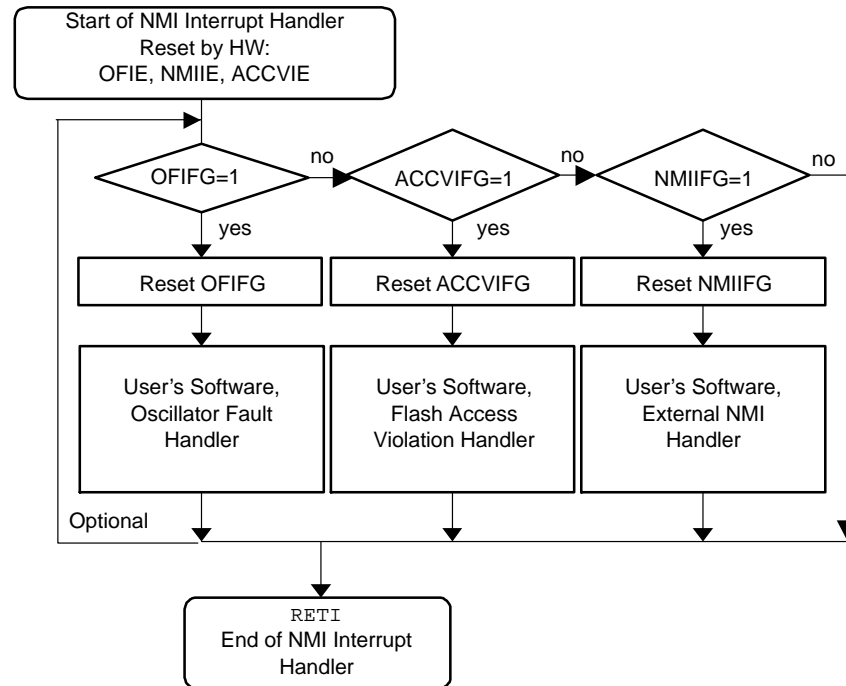
Flash Access Violation

The flash ACCVIFG flag is set when a flash access violation occurs. The flash access violation can be enabled to generate an NMI interrupt by setting the ACCVIE bit. The ACCVIFG flag can then be tested by NMI the interrupt service routine to determine if the NMI was caused by a flash access violation.

Example of an NMI Interrupt Handler

The NMI interrupt is a multiple-source interrupt. An NMI interrupt automatically resets the NMIIE, OFIE, and ACCVIE interrupt-enable bits. The user NMI service routine resets the interrupt flags and re-enables the interrupt-enable bits according to the application needs as shown in Figure 2-5.

Figure 2-5. NMI Interrupt Handler



Note: Enabling NMI Interrupts with ACCVIE, NMIIE, and OFIE

To prevent nested NMI interrupts, the ACCVIE, NMIIE, and OFIE enable bits should not be set inside of an NMI interrupt service routine.

2.2.2 Maskable Interrupts

Maskable interrupts are caused by peripherals with interrupt capability including the watchdog timer overflow in interval-timer mode. Each maskable interrupt source can be disabled individually by an interrupt enable bit, or all maskable interrupts can be disabled by the general interrupt enable (GIE) bit in the status register (SR).

Each individual peripheral interrupt is discussed in the associated peripheral module chapter in this manual.

2.2.3 Interrupt Processing

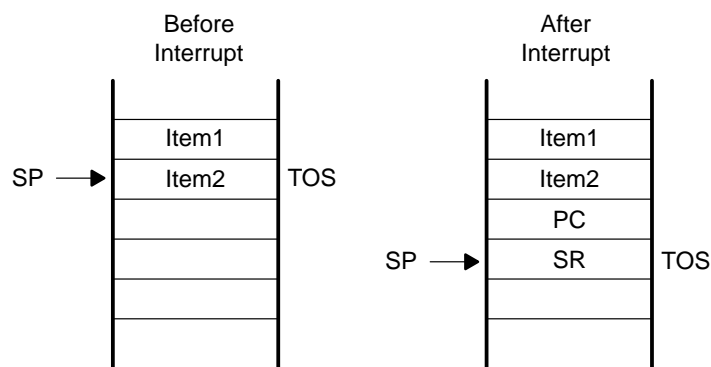
When an interrupt is requested from a peripheral and the peripheral interrupt enable bit and GIE bit are set, the interrupt service routine is requested. Only the individual enable bit must be set for (non)-maskable interrupts to be requested.

Interrupt Acceptance

The interrupt latency is six cycles, starting with the acceptance of an interrupt request and lasting until the start of execution of the first instruction of the interrupt-service routine, as shown in Figure 2–6. The interrupt logic executes the following:

- 1) Any currently executing instruction is completed.
- 2) The PC, which points to the next instruction, is pushed onto the stack.
- 3) The SR is pushed onto the stack.
- 4) The interrupt with the highest priority is selected if multiple interrupts occurred during the last instruction and are pending for service.
- 5) The interrupt request flag resets automatically on single-source flags. Multiple source flags remain set for servicing by software.
- 6) The SR is cleared with the exception of SCG0, which is left unchanged. This terminates any low-power mode. Because the GIE bit is cleared, further interrupts are disabled.
- 7) The content of the interrupt vector is loaded into the PC: the program continues with the interrupt service routine at that address.

Figure 2–6. Interrupt Processing



Return From Interrupt

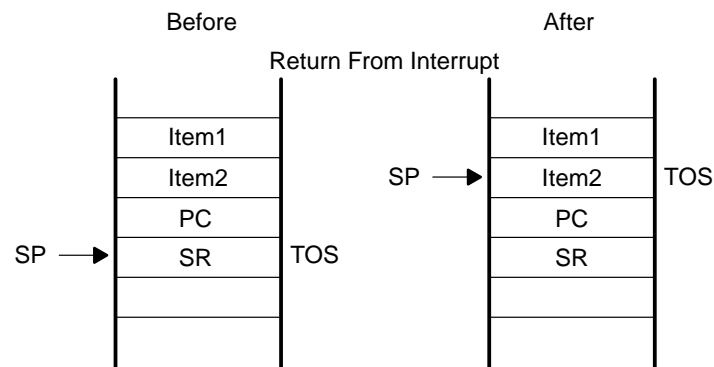
The interrupt handling routine terminates with the instruction:

`RETI` (return from an interrupt service routine)

The return from the interrupt takes 5 cycles to execute the following actions and is illustrated in Figure 2–7.

- 1) The SR with all previous settings pops from the stack. All previous settings of GIE, CPUOFF, etc. are now in effect, regardless of the settings used during the interrupt service routine.
- 2) The PC pops from the stack and begins execution at the point where it was interrupted.

Figure 2–7. Return From Interrupt



Interrupt nesting is enabled if the GIE bit is set inside an interrupt service routine. When interrupt nesting is enabled, any interrupt occurring during an interrupt service routine will interrupt the routine, regardless of the interrupt priorities.

2.2.4 Interrupt Vectors

The interrupt vectors and the power-up starting address are located in the address range 0FFFFh to 0FFE0h as described in Table 2–1. A vector is programmed by the user with the 16-bit address of the corresponding interrupt service routine. Some devices may contain more interrupt vectors. See the device-specific data sheet for the complete interrupt vector list.

Table 2–1. Interrupt Sources, Flags, and Vectors

INTERRUPT SOURCE	INTERRUPT FLAG	SYSTEM INTERRUPT	WORD ADDRESS	PRIORITY
Power-up, external reset, watchdog, flash password	WDTIFG KEYV	Reset	0FFFEh	15, highest
NMI, oscillator fault, flash memory access violation	NMIIFG OFIFG ACCVIFG	(non)-maskable (non)-maskable (non)-maskable	0FFFCh	14
Device-specific			0FFFAh	13
Device-specific			0FFF8h	12
Device-specific			0FFF6h	11
Watchdog timer	WDTIFG	maskable	0FFF4h	10
Device-specific			0FFF2h	9
Device-specific			0FFF0h	8
Device-specific			0FFEEh	7
Device-specific			0FFECCh	6
Device-specific			0FFEAh	5
Device-specific			0FFE8h	4
Device-specific			0FFE6h	3
Device-specific			0FFE4h	2
Device-specific			0FFE2h	1
Device-specific			0FFE0h	0, lowest

2.2.5 Special Function Registers (SFRs)

Some module enable bits, interrupt enable bits, and interrupt flags are located in the SFRs. The SFRs are located in the lower address range and are implemented in byte format. SFRs must be accessed using byte instructions. See the device-specific data sheet for the SFR configuration.

2.3 Operating Modes

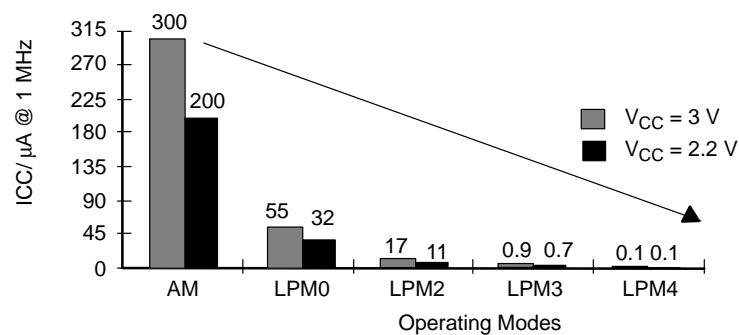
The MSP430 family is designed for ultralow-power applications and uses different operating modes shown in Figure 2–9.

The operating modes take into account three different needs:

- Ultralow-power
- Speed and data throughput
- Minimization of individual peripheral current consumption

The MSP430 typical current consumption is shown in Figure 2–8.

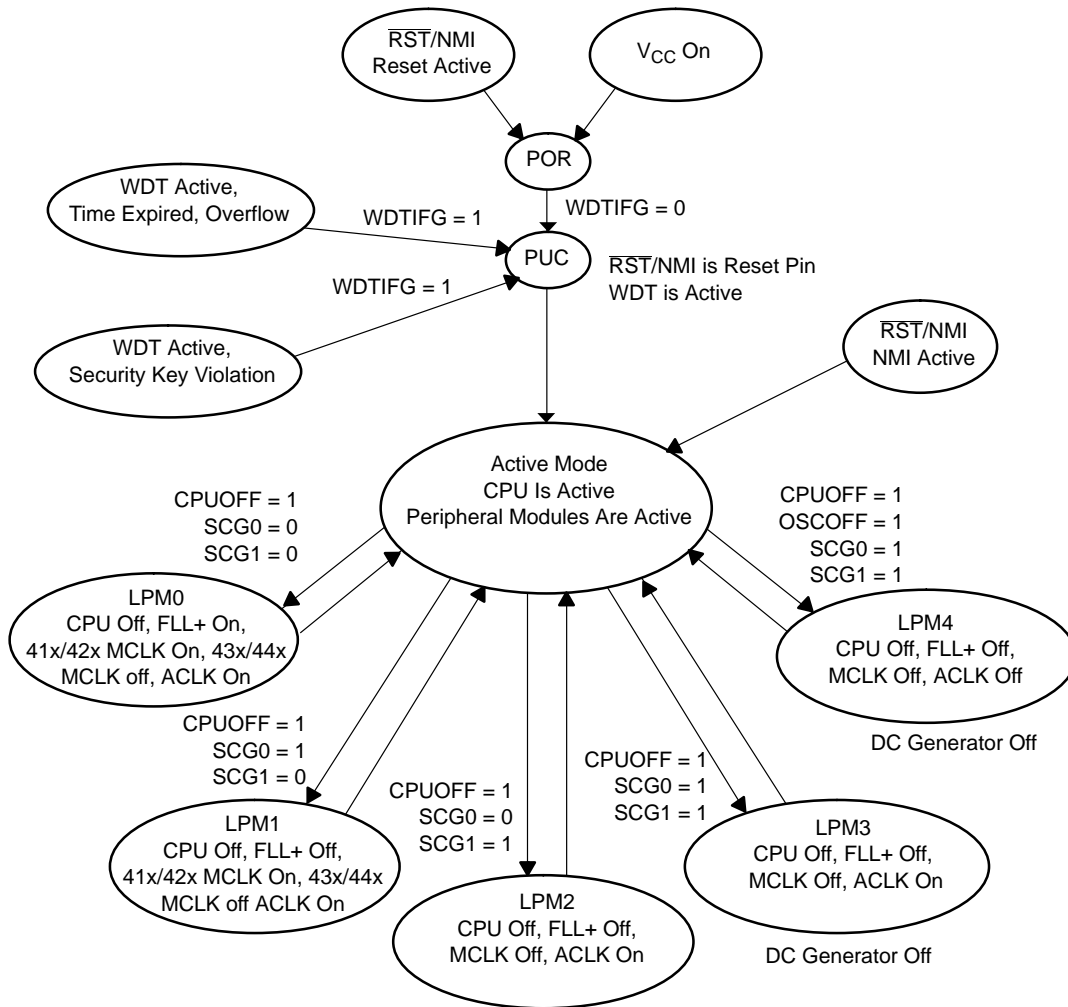
Figure 2–8. Typical Current Consumption of 41x Devices vs Operating Modes



The low-power modes 0 to 4 are configured with the CPUOFF, OSCOFF, SCG0, and SCG1 bits in the status register. The advantage of including the CPUOFF, OSCOFF, SCG0, and SCG1 mode-control bits in the status register is that the present operating mode is saved onto the stack during an interrupt service routine. Program flow returns to the previous operating mode if the saved SR value is not altered during the interrupt service routine. Program flow can be returned to a different operating mode by manipulating the saved SR value on the stack inside of the interrupt service routine. The mode-control bits and the stack can be accessed with any instruction.

When setting any of the mode-control bits, the selected operating mode takes effect immediately. Peripherals operating with any disabled clock are disabled until the clock becomes active. The peripherals may also be disabled with their individual control register settings. All I/O port pins and RAM/registers are unchanged. Wake up is possible through all enabled interrupts.

Figure 2–9. MSP430x4xx Operating Modes For FLL+ Clock System



SCG1	SCG0	OSCOFF	CPUOFF	Mode	CPU and Clocks Status
0	0	0	0	Active	CPU is active, all enabled clocks are active
0	0	0	1	LPM0	CPU, MCLK are disabled (41x/42x peripheral MCLK remains on) SMCLK, ACLK are active
0	1	0	1	LPM1	CPU, MCLK, DCO oscillator are disabled (41x/42x peripheral MCLK remains on) DC generator is disabled if the DCO is not used for MCLK or SMCLK in active mode SMCLK, ACLK are active
1	0	0	1	LPM2	CPU, MCLK, SMCLK, DCO oscillator are disabled DC generator remains enabled ACLK is active
1	1	0	1	LPM3	CPU, MCLK, SMCLK, DCO oscillator are disabled DC generator disabled ACLK is active
1	1	1	1	LPM4	CPU and all clocks disabled

2.3.1 Entering and Exiting Low-Power Modes

An enabled interrupt event wakes the MSP430 from any of the low-power operating modes. The program flow is:

- Enter interrupt service routine:
 - The PC and SR are stored on the stack
 - The CPUOFF, SCG1, and OSCOFF bits are automatically reset
- Options for returning from the interrupt service routine:
 - The original SR is popped from the stack, restoring the previous operating mode.
 - The SR bits stored on the stack can be modified within the interrupt service routine returning to a different operating mode when the RETI instruction is executed.

```

; Enter LPM0 Example
  BIS    #GIE+CPUOFF,SR          ; Enter LPM0
; ...                            ; Program stops here
;
; Exit LPM0 Interrupt Service Routine
  BIC    #CPUOFF,0(SP)          ; Exit LPM0 on RETI
  RETI

; Enter LPM3 Example
  BIS    #GIE+CPUOFF+SCG1+SCG0,SR ; Enter LPM3
; ...                            ; Program stops here
;
; Exit LPM3 Interrupt Service Routine
  BIC    #CPUOFF+SCG1+SCG0,0(SP) ; Exit LPM3 on RETI
  RETI

```

Extended Time in Low-Power Modes

The negative temperature coefficient of the DCO should be considered when the DCO is disabled for extended low-power mode periods. If the temperature changes significantly, the DCO frequency at wake-up may be significantly different from when the low-power mode was entered and may be out of the specified operating range. To avoid this, the DCO can be set to its lowest value before entering the low-power mode for extended periods of time where temperature can change.

```

; Enter LPM4 Example with lowest DCO Setting
  BIC.B  #FN_8+FN_4+FN_3+FN_2,&SCF10 ; Lowest Range
  MOV.B  #010h,&SCF11                ; Select Tap 2
  BIS    #GIE+CPUOFF+OSCOFF+SCG1+SCG0,SR ; Enter LPM4
; ...                            ; Program stops
;
; Interrupt Service Routine
  BIC    #CPUOFF+OSCOFF+SCG1+SCG0,0(SP); Exit LPM4 on RETI
  RETI

```

2.4 Principles for Low-Power Applications

Often, the most important factor for reducing power consumption is using the MSP430's clock system to maximize the time in LPM3. LPM3 power consumption is less than 2 μ A typical with both a real-time clock function and all interrupts active. A 32-kHz watch crystal is used for the ACLK, and the CPU is clocked from the DCO (normally off) which has a 6- μ s wake-up time.

- Use interrupts to wake the processor and control program flow.
- Peripherals should be switched on only when needed.
- Use low-power integrated peripheral modules in place of software driven functions. For example Timer_A and Timer_B can automatically generate PWM and capture external timing, with no CPU resources.
- Calculated branching and fast table look-ups should be used in place of flag polling and long software calculations.
- Avoid frequent subroutine and function calls due to overhead.
- For longer software routines, single-cycle CPU registers should be used.

2.5 Connection of Unused Pins

The correct termination of all unused pins is listed in Table 2–2.

Table 2–2. Connection of Unused Pins

Pin	Potential	Comment
AV_{CC}	DV _{CC}	
AV_{SS}	DV _{SS}	
V_{REF+}	Open	
Ve_{REF+}	DV _{SS}	
V_{REF-}/Ve_{REF-}	DV _{SS}	
XIN	DV _{CC}	
XOUT	Open	
XT2IN	DV _{SS}	43x, 44x, and 46x devices
XT2OUT	Open	43x, 44x, and 46x devices
Px.0 to Px.7	Open	Switched to port function, output direction
RST/NMI	DV _{CC} or V _{CC}	47-k Ω pullup with 10-nF (2.2 nF [†]) pulldown
R03	DV _{SS}	
COM0	Open	
TDO/TDI/TMS/ TCK	Open	
Ax (dedicated)	Open	42x devices
Sxx	Open	

[†] MSP430F41x2 only: The pulldown capacitor should not exceed 2.2 nF when using Spy-Bi-Wire interface in Spy-Bi-Wire mode or in 4-wire JTAG mode with TI tools like FET interfaces or GANG programmers.

RISC 16-Bit CPU

This chapter describes the MSP430 CPU, addressing modes, and instruction set.

Topic	Page
3.1 CPU Introduction	3-2
3.2 CPU Registers	3-4
3.3 Addressing Modes	3-9
3.4 Instruction Set	3-17

3.1 CPU Introduction

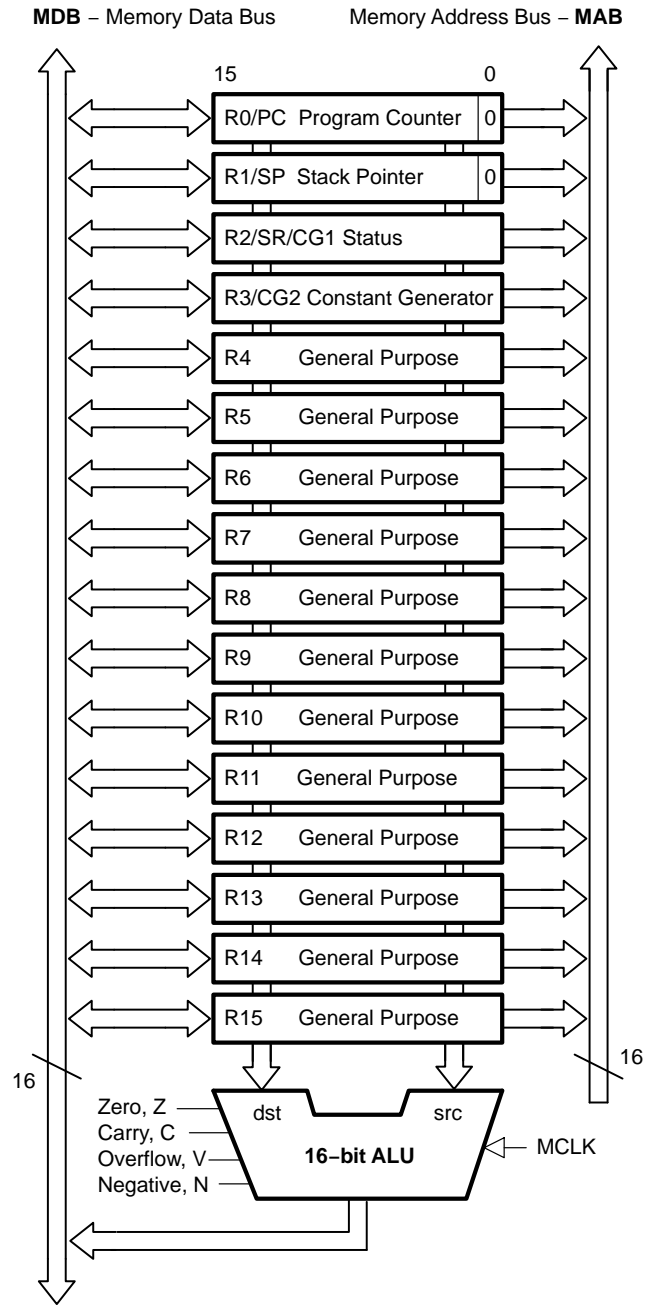
The CPU incorporates features specifically designed for modern programming techniques such as calculated branching, table processing and the use of high-level languages such as C. The CPU can address the complete address range without paging.

The CPU features include:

- RISC architecture with 27 instructions and 7 addressing modes
- Orthogonal architecture with every instruction usable with every addressing mode
- Full register access including program counter, status registers, and stack pointer
- Single-cycle register operations
- Large 16-bit register file reduces fetches to memory
- 16-bit address bus allows direct access and branching throughout entire memory range
- 16-bit data bus allows direct manipulation of word-wide arguments
- Constant generator provides six most used immediate values and reduces code size
- Direct memory-to-memory transfers without intermediate register holding
- Word and byte addressing and instruction formats

The block diagram of the CPU is shown in Figure 3–1.

Figure 3-1. CPU Block Diagram



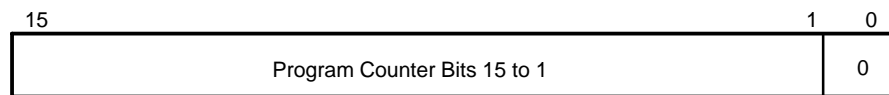
3.2 CPU Registers

The CPU incorporates sixteen 16-bit registers. R0, R1, R2 and R3 have dedicated functions. R4 to R15 are working registers for general use.

3.2.1 Program Counter (PC)

The 16-bit program counter (PC/R0) points to the next instruction to be executed. Each instruction uses an even number of bytes (two, four, or six), and the PC is incremented accordingly. Instruction accesses in the 64-KB address space are performed on word boundaries, and the PC is aligned to even addresses. Figure 3–2 shows the program counter.

Figure 3–2. Program Counter



The PC can be addressed with all instructions and addressing modes. A few examples:

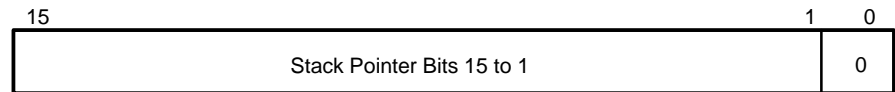
```
MOV    #LABEL,PC ; Branch to address LABEL
MOV    LABEL,PC  ; Branch to address contained in LABEL
MOV    @R14,PC   ; Branch indirect to address in R14
```

3.2.2 Stack Pointer (SP)

The stack pointer (SP/R1) is used by the CPU to store the return addresses of subroutine calls and interrupts. It uses a predecrement, postincrement scheme. In addition, the SP can be used by software with all instructions and addressing modes. Figure 3–3 shows the SP. The SP is initialized into RAM by the user, and is aligned to even addresses.

Figure 3–4 shows stack usage.

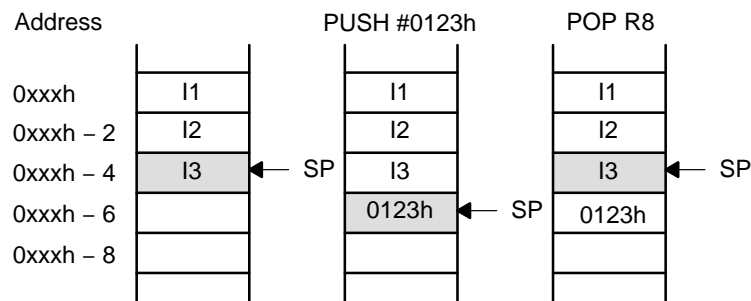
Figure 3–3. Stack Pointer



```

MOV    2(SP),R6 ; Item I2 -> R6
MOV    R7,0(SP) ; Overwrite TOS with R7
PUSH  #0123h   ; Put 0123h onto TOS
POP    R8      ; R8 = 0123h
    
```

Figure 3–4. Stack Usage



The special cases of using the SP as an argument to the PUSH and POP instructions are described and shown in Figure 3–5.

Figure 3–5. PUSH SP - POP SP Sequence



The stack pointer is changed after a PUSH SP instruction.

The stack pointer is not changed after a POP SP instruction. The POP SP instruction places SP1 into the stack pointer SP (SP2=SP1)

3.2.3 Status Register (SR)

The status register (SR/R2), used as a source or destination register, can be used in the register mode only addressed with word instructions. The remaining combinations of addressing modes are used to support the constant generator. Figure 3–6 shows the SR bits.

Figure 3–6. Status Register Bits

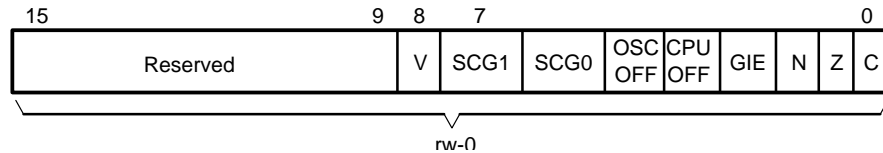


Table 3–1 describes the status register bits.

Table 3–1. Description of Status Register Bits

Bit	Description
V	<p>Overflow bit. This bit is set when the result of an arithmetic operation overflows the signed-variable range.</p> <p>ADD(.B), ADDC(.B) Set when: Positive + Positive = Negative Negative + Negative = Positive, otherwise reset</p> <p>SUB(.B), SUBC(.B), CMP(.B) Set when: Positive – Negative = Negative Negative – Positive = Positive, otherwise reset</p>
SCG1	System clock generator 1. This bit, when set, turns off the DCO dc generator, if DCOCLK is not used for MCLK or SMCLK.
SCG0	System clock generator 0. This bit, when set, turns off the FLL+ loop control
OSCOFF	Oscillator Off. This bit, when set, turns off the LFXT1 crystal oscillator, when LFXT1CLK is not use for MCLK or SMCLK
CPUOFF	CPU off. This bit, when set, turns off the CPU.
GIE	General interrupt enable. This bit, when set, enables maskable interrupts. When reset, all maskable interrupts are disabled.
N	<p>Negative bit. This bit is set when the result of a byte or word operation is negative and cleared when the result is not negative.</p> <p>Word operation: N is set to the value of bit 15 of the result</p> <p>Byte operation: N is set to the value of bit 7 of the result</p>
Z	Zero bit. This bit is set when the result of a byte or word operation is 0 and cleared when the result is not 0.
C	Carry bit. This bit is set when the result of a byte or word operation produced a carry and cleared when no carry occurred.

3.2.4 Constant Generator Registers CG1 and CG2

Six commonly-used constants are generated with the constant generator registers R2 and R3, without requiring an additional 16-bit word of program code. The constants are selected with the source-register addressing modes (As), as described in Table 3–2.

Table 3–2. Values of Constant Generators CG1, CG2

Register	As	Constant	Remarks
R2	00	-----	Register mode
R2	01	(0)	Absolute address mode
R2	10	00004h	+4, bit processing
R2	11	00008h	+8, bit processing
R3	00	00000h	0, word processing
R3	01	00001h	+1
R3	10	00002h	+2, bit processing
R3	11	0FFFFh	-1, word processing

The constant generator advantages are:

- No special instructions required
- No additional code word for the six constants
- No code memory access required to retrieve the constant

The assembler uses the constant generator automatically if one of the six constants is used as an immediate source operand. Registers R2 and R3, used in the constant mode, cannot be addressed explicitly; they act as source-only registers.

Constant Generator – Expanded Instruction Set

The RISC instruction set of the MSP430 has only 27 instructions. However, the constant generator allows the MSP430 assembler to support 24 additional, emulated instructions. For example, the single-operand instruction:

```
CLR          dst
```

is emulated by the double-operand instruction with the same length:

```
MOV          R3, dst
```

where the #0 is replaced by the assembler, and R3 is used with As = 00.

```
INC          dst
```

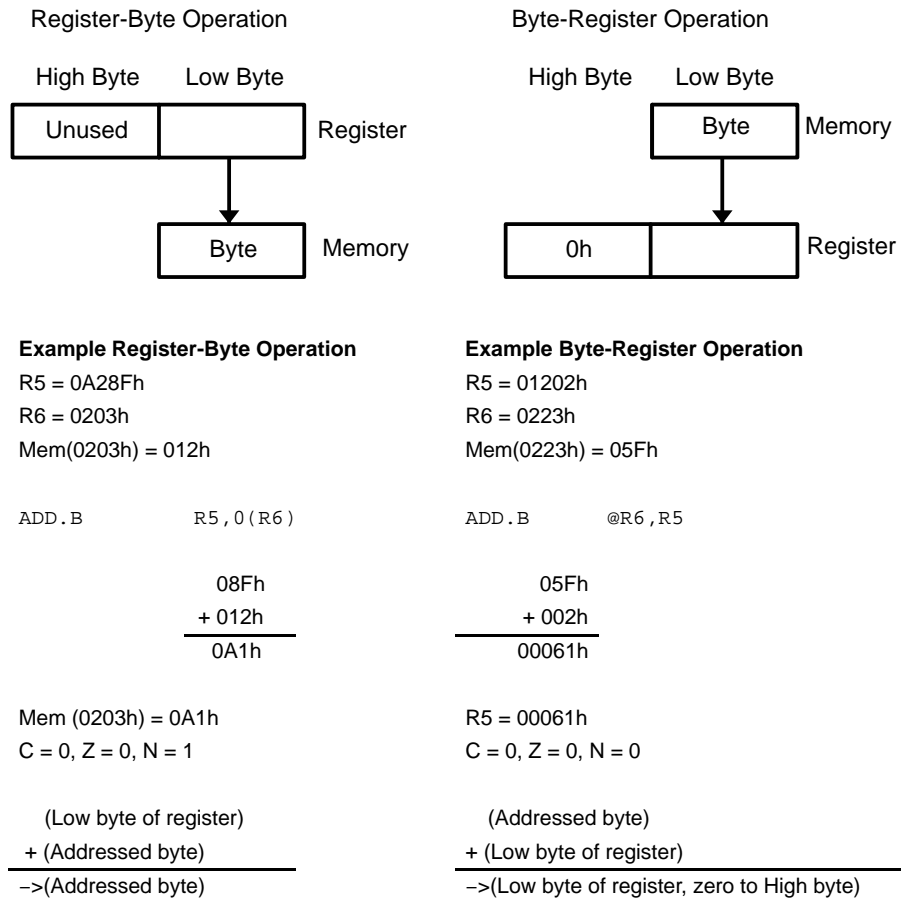
is replaced by:

```
ADD          0(R3), dst
```

3.2.5 General-Purpose Registers R4 to R15

Twelve registers, R4 to R15, are general-purpose registers. All of these registers can be used as data registers, address pointers, or index values, and they can be accessed with byte or word instructions as shown in Figure 3–7.

Figure 3–7. Register-Byte/Byte-Register Operations



3.3 Addressing Modes

Seven addressing modes for the source operand and four addressing modes for the destination operand can address the complete address space with no exceptions. The bit numbers in Table 3–3 describe the contents of the As (source) and Ad (destination) mode bits.

Table 3–3. Source/Destination Operand Addressing Modes

As/Ad	Addressing Mode	Syntax	Description
00/0	Register mode	Rn	Register contents are operand
01/1	Indexed mode	X(Rn)	(Rn + X) points to the operand. X is stored in the next word.
01/1	Symbolic mode	ADDR	(PC + X) points to the operand. X is stored in the next word. Indexed mode X(PC) is used.
01/1	Absolute mode	&ADDR	The word following the instruction contains the absolute address. X is stored in the next word. Indexed mode X(SR) is used.
10/–	Indirect register mode	@Rn	Rn is used as a pointer to the operand.
11/–	Indirect autoincrement	@Rn+	Rn is used as a pointer to the operand. Rn is incremented afterwards by 1 for .B instructions and by 2 for .W instructions.
11/–	Immediate mode	#N	The word following the instruction contains the immediate constant N. Indirect autoincrement mode @PC+ is used.

The seven addressing modes are explained in detail in the following sections. Most of the examples show the same addressing mode for the source and destination, but any valid combination of source and destination addressing modes is possible in an instruction.

Note: Use of Labels *EDE*, *TONI*, *TOM*, and *LEO*

Throughout MSP430 documentation, *EDE*, *TONI*, *TOM*, and *LEO* are used as generic labels. They are only labels. They have no special meaning.

3.3.1 Register Mode

The register mode is described in Table 3–4.

Table 3–4. Register Mode Description

Assembler Code	Content of ROM
MOV R10,R11	MOV R10,R11

Length: One or two words

Operation: Move the content of R10 to R11. R10 is not affected.

Comment: Valid for source and destination

Example: MOV R10,R11

	Before:		After:
R10	<input type="text" value="0A023h"/>	R10	<input type="text" value="0A023h"/>
R11	<input type="text" value="0FA15h"/>	R11	<input type="text" value="0A023h"/>
PC	<input type="text" value="PC<sub>old</sub>"/>	PC	<input type="text" value="PC<sub>old</sub> + 2"/>

Note: Data in Registers

The data in the register can be accessed using word or byte instructions. If byte instructions are used, the high byte is always 0 in the result. The status bits are handled according to the result of the byte instruction.

3.3.2 Indexed Mode

The indexed mode is described in Table 3–5.

Table 3–5. Indexed Mode Description

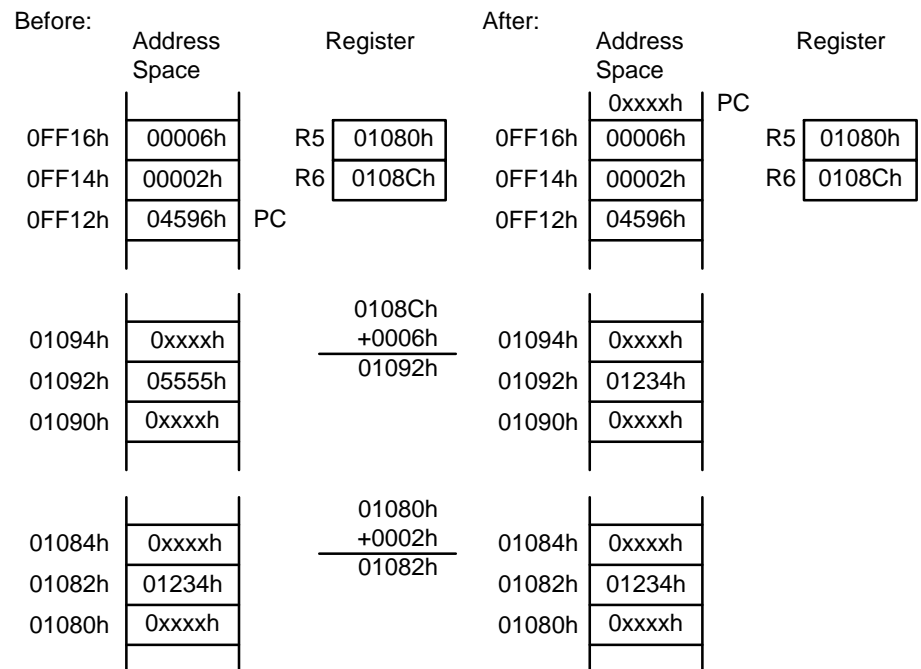
Assembler Code	Content of ROM
MOV 2(R5), 6(R6)	MOV X(R5), Y(R6)
	X = 2
	Y = 6

Length: Two or three words

Operation: Move the contents of the source address (contents of R5 + 2) to the destination address (contents of R6 + 6). The source and destination registers (R5 and R6) are not affected. In indexed mode, the program counter is incremented automatically so that program execution continues with the next instruction.

Comment: Valid for source and destination

Example: MOV 2(R5), 6(R6);



3.3.3 Symbolic Mode

The symbolic mode is described in Table 3–6.

Table 3–6. Symbolic Mode Description

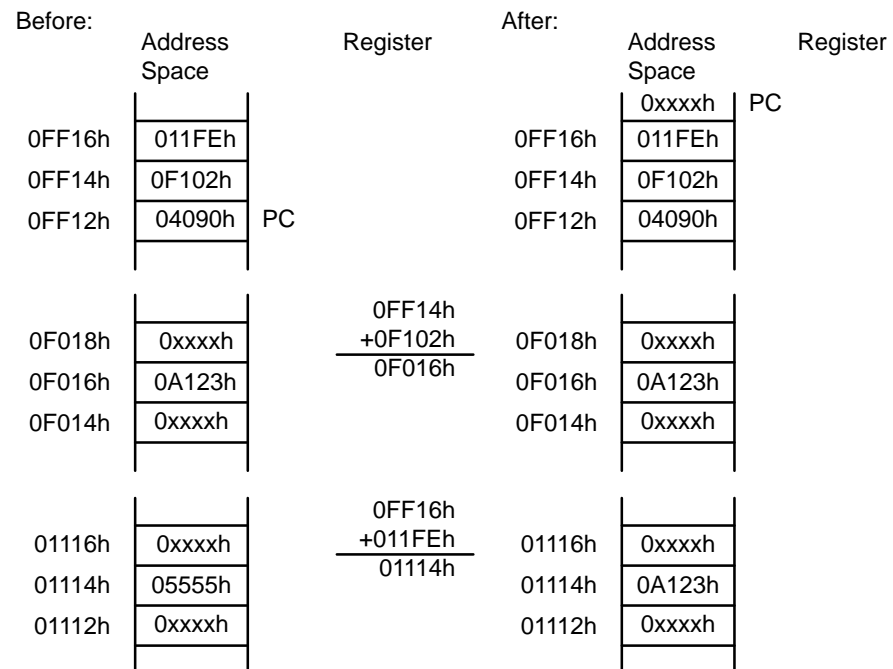
Assembler Code	Content of ROM
MOV EDE,TONI	MOV X(PC),Y(PC) X = EDE - PC Y = TONI - PC

Length: Two or three words

Operation: Move the contents of the source address EDE (contents of PC + X) to the destination address TONI (contents of PC + Y). The words after the instruction contain the differences between the PC and the source or destination addresses. The assembler computes and inserts offsets X and Y automatically. With symbolic mode, the program counter (PC) is incremented automatically so that program execution continues with the next instruction.

Comment: Valid for source and destination

Example: MOV EDE,TONI ;Source address EDE = 0F016h
;Dest. address TONI=01114h



3.3.4 Absolute Mode

The absolute mode is described in Table 3–7.

Table 3–7. Absolute Mode Description

Assembler Code	Content of ROM
MOV &EDE,&TONI	MOV X(0),Y(0) X = EDE Y = TONI

Length: Two or three words

Operation: Move the contents of the source address EDE to the destination address TONI. The words after the instruction contain the absolute address of the source and destination addresses. With absolute mode, the PC is incremented automatically so that program execution continues with the next instruction.

Comment: Valid for source and destination

Example: MOV &EDE,&TONI ;Source address EDE=0F016h,
;dest. address TONI=01114h

Before:	Address Space	Register	After:	Address Space	Register
				0xxxxh	PC
0FF16h	01114h		0FF16h	01114h	
0FF14h	0F016h		0FF14h	0F016h	
0FF12h	04292h	PC	0FF12h	04292h	
0F018h	0xxxxh		0F018h	0xxxxh	
0F016h	0A123h		0F016h	0A123h	
0F014h	0xxxxh		0F014h	0xxxxh	
01116h	0xxxxh		01116h	0xxxxh	
01114h	01234h		01114h	0A123h	
01112h	0xxxxh		01112h	0xxxxh	

This address mode is mainly for hardware peripheral modules that are located at an absolute, fixed address. These are addressed with absolute mode to ensure software transportability (for example, position-independent code).

3.3.5 Indirect Register Mode

The indirect register mode is described in Table 3–8.

Table 3–8. Indirect Mode Description

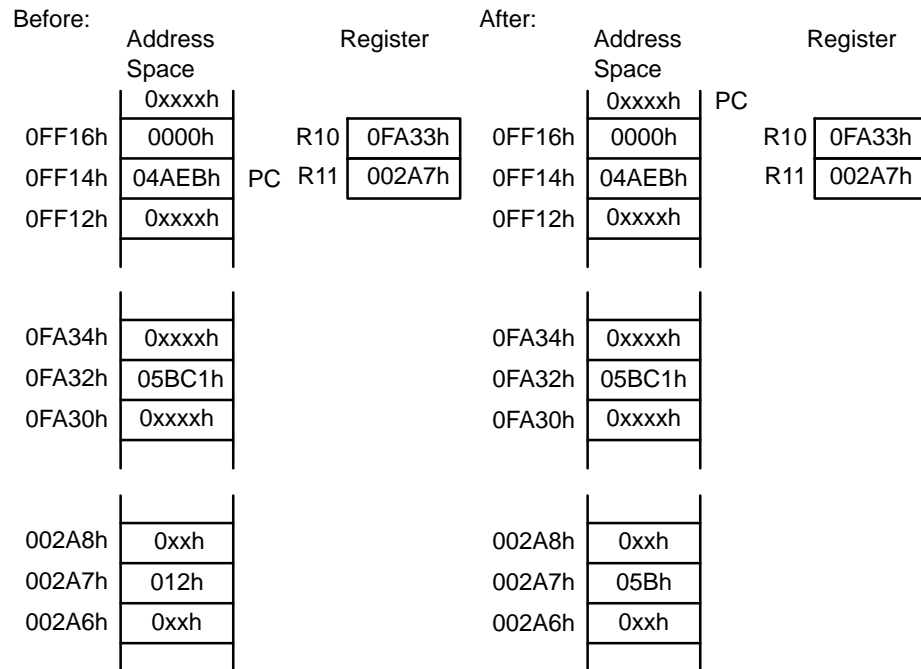
Assembler Code	Content of ROM
MOV @R10,0(R11)	MOV @R10,0(R11)

Length: One or two words

Operation: Move the contents of the source address (contents of R10) to the destination address (contents of R11). The registers are not modified.

Comment: Valid only for source operand. The substitute for destination operand is 0(Rd).

Example: MOV.B @R10,0(R11)



3.3.6 Indirect Autoincrement Mode

The indirect autoincrement mode is described in Table 3–9.

Table 3–9. Indirect Autoincrement Mode Description

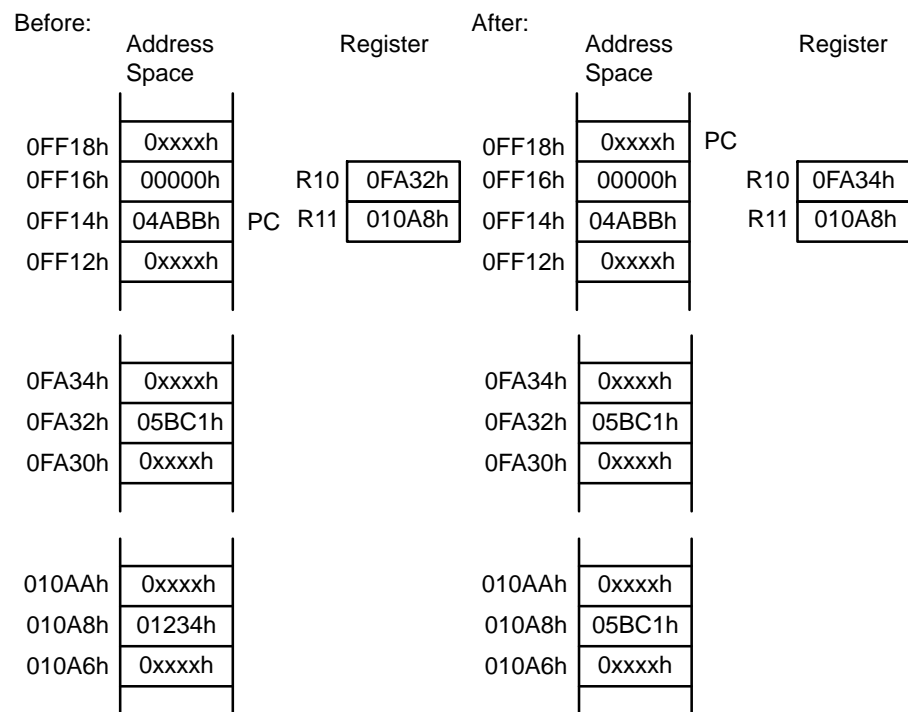
Assembler Code	Content of ROM
MOV @R10+,0(R11)	MOV @R10+,0(R11)

Length: One or two words

Operation: Move the contents of the source address (contents of R10) to the destination address (contents of R11). Register R10 is incremented by 1 for a byte operation, or 2 for a word operation after the fetch; it points to the next address without any overhead. This is useful for table processing.

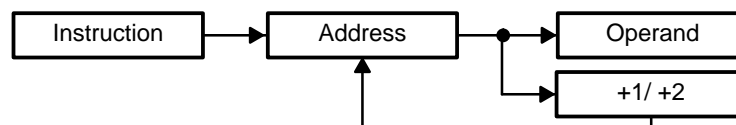
Comment: Valid only for source operand. The substitute for destination operand is 0(Rd) plus second instruction INCD Rd.

Example: MOV @R10+,0(R11)



The autoincrementing of the register contents occurs after the operand is fetched. This is shown in Figure 3–8.

Figure 3–8. Operand Fetch Operation



3.3.7 Immediate Mode

The immediate mode is described in Table 3–10.

Table 3–10. Immediate Mode Description

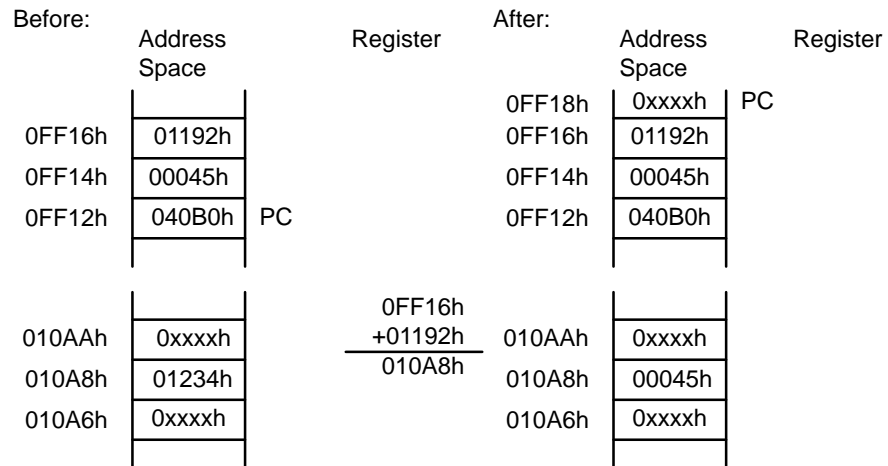
Assembler Code	Content of ROM
MOV #45h, TONI	MOV @PC+, X(PC) 45 X = TONI - PC

Length: Two or three words
It is one word less if a constant of CG1 or CG2 can be used.

Operation: Move the immediate constant 45h, which is contained in the word following the instruction, to destination address TONI. When fetching the source, the program counter points to the word following the instruction and moves the contents to the destination.

Comment: Valid only for a source operand.

Example: MOV #45h, TONI



3.4 Instruction Set

The complete MSP430 instruction set consists of 27 core instructions and 24 emulated instructions. The core instructions are instructions that have unique op-codes decoded by the CPU. The emulated instructions are instructions that make code easier to write and read, but do not have op-codes themselves, instead they are replaced automatically by the assembler with an equivalent core instruction. There is no code or performance penalty for using emulated instruction.

There are three core-instruction formats:

- Dual operand
- Single operand
- Jump

All single-operand and dual-operand instructions can be byte or word instructions by using *.B* or *.W* extensions. Byte instructions are used to access byte data or byte peripherals. Word instructions are used to access word data or word peripherals. If no extension is used, the instruction is a word instruction.

The source and destination of an instruction are defined by the following fields:

src	The source operand defined by As and S-reg
dst	The destination operand defined by Ad and D-reg
As	The addressing bits responsible for the addressing mode used for the source (src)
S-reg	The working register used for the source (src)
Ad	The addressing bits responsible for the addressing mode used for the destination (dst)
D-reg	The working register used for the destination (dst)
B/W	Byte or word operation: 0: word operation 1: byte operation

Note: Destination Address

Destination addresses are valid anywhere in the memory map. However, when using an instruction that modifies the contents of the destination, the user must ensure the destination address is writable. For example, a masked-ROM location would be a valid destination address, but the contents are not modifiable, so the results of the instruction would be lost.

3.4.1 Double-Operand (Format I) Instructions

Figure 3–9 illustrates the double-operand instruction format.

Figure 3–9. Double-Operand Instruction Format

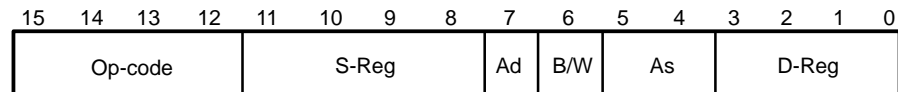


Table 3–11 lists and describes the double operand instructions.

Table 3–11. Double-Operand Instructions

Mnemonic	S-Reg, D-Reg	Operation	Status Bits			
			V	N	Z	C
MOV(.B)	src, dst	src → dst	–	–	–	–
ADD(.B)	src, dst	src + dst → dst	*	*	*	*
ADDC(.B)	src, dst	src + dst + C → dst	*	*	*	*
SUB(.B)	src, dst	dst + .not.src + 1 → dst	*	*	*	*
SUBC(.B)	src, dst	dst + .not.src + C → dst	*	*	*	*
CMP(.B)	src, dst	dst – src	*	*	*	*
DADD(.B)	src, dst	src + dst + C → dst (decimally)	*	*	*	*
BIT(.B)	src, dst	src .and. dst	0	*	*	*
BIC(.B)	src, dst	.not.src .and. dst → dst	–	–	–	–
BIS(.B)	src, dst	src .or. dst → dst	–	–	–	–
XOR(.B)	src, dst	src .xor. dst → dst	*	*	*	*
AND(.B)	src, dst	src .and. dst → dst	0	*	*	*

- * The status bit is affected
- The status bit is not affected
- 0 The status bit is cleared
- 1 The status bit is set

Note: Instructions CMP and SUB

The instructions CMP and SUB are identical except for the storage of the result. The same is true for the BIT and AND instructions.

3.4.2 Single-Operand (Format II) Instructions

Figure 3–10 illustrates the single-operand instruction format.

Figure 3–10. Single-Operand Instruction Format

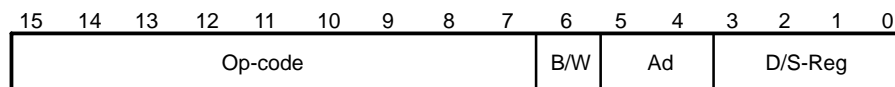


Table 3–12 lists and describes the single operand instructions.

Table 3–12. Single-Operand Instructions

Mnemonic	S-Reg, D-Reg	Operation	Status Bits			
			V	N	Z	C
RRC (.B)	dst	C → MSB →.....LSB → C	*	*	*	*
RRA (.B)	dst	MSB → MSB →....LSB → C	0	*	*	*
PUSH (.B)	src	SP – 2 → SP, src → @SP	–	–	–	–
SWPB	dst	Swap bytes	–	–	–	–
CALL	dst	SP – 2 → SP, PC+2 → @SP	–	–	–	–
		dst → PC				
RETI		TOS → SR, SP + 2 → SP	*	*	*	*
		TOS → PC, SP + 2 → SP				
SXT	dst	Bit 7 → Bit 8.....Bit 15	0	*	*	*

- * The status bit is affected
- The status bit is not affected
- 0 The status bit is cleared
- 1 The status bit is set

All addressing modes are possible for the `CALL` instruction. If the symbolic mode (`ADDRESS`), the immediate mode (`#N`), the absolute mode (`&EDE`), or the indexed mode `x(RN)` is used, the word that follows contains the address information.

3.4.3 Jumps

Figure 3–11 shows the conditional-jump instruction format.

Figure 3–11. Jump Instruction Format

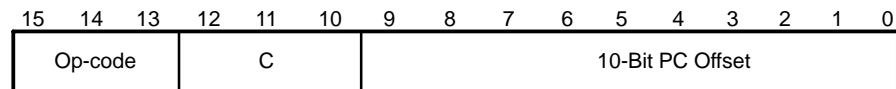


Table 3–13 lists and describes the jump instructions.

Table 3–13. Jump Instructions

Mnemonic	S-Reg, D-Reg	Operation
JEQ/JZ	Label	Jump to label if zero bit is set
JNE/JNZ	Label	Jump to label if zero bit is reset
JC	Label	Jump to label if carry bit is set
JNC	Label	Jump to label if carry bit is reset
JN	Label	Jump to label if negative bit is set
JGE	Label	Jump to label if (N .XOR. V) = 0
JL	Label	Jump to label if (N .XOR. V) = 1
JMP	Label	Jump to label unconditionally

Conditional jumps support program branching relative to the PC and do not affect the status bits. The possible jump range is from –511 to +512 words relative to the PC value at the jump instruction. The 10-bit program-counter offset is treated as a signed 10-bit value that is doubled and added to the program counter:

$$PC_{\text{new}} = PC_{\text{old}} + 2 + PC_{\text{offset}} \times 2$$

* ADC[W]	Add carry to destination
* ADC.B	Add carry to destination
Syntax	ADC dst or ADC.W dst ADC.B dst
Operation	dst + C -> dst
Emulation	ADDC #0,dst ADDC.B #0,dst
Description	The carry bit (C) is added to the destination operand. The previous contents of the destination are lost.
Status Bits	N: Set if result is negative, reset if positive Z: Set if result is zero, reset otherwise C: Set if dst was incremented from 0FFFFh to 0000, reset otherwise Set if dst was incremented from 0FFh to 00, reset otherwise V: Set if an arithmetic overflow occurs, otherwise reset
Mode Bits	OSCOFF, CPUOFF, and GIE are not affected.
Example	The 16-bit counter pointed to by R13 is added to a 32-bit counter pointed to by R12. ADD @R13,0(R12) ; Add LSDs ADC 2(R12) ; Add carry to MSD
Example	The 8-bit counter pointed to by R13 is added to a 16-bit counter pointed to by R12. ADD.B @R13,0(R12) ; Add LSDs ADC.B 1(R12) ; Add carry to MSD

ADD[.W]	Add source to destination
ADD.B	Add source to destination
Syntax	ADD src,dst or ADD.W src,dst ADD.B src,dst
Operation	src + dst -> dst
Description	The source operand is added to the destination operand. The source operand is not affected. The previous contents of the destination are lost.
Status Bits	N: Set if result is negative, reset if positive Z: Set if result is zero, reset otherwise C: Set if there is a carry from the result, cleared if not V: Set if an arithmetic overflow occurs, otherwise reset
Mode Bits	OSCOFF, CPUOFF, and GIE are not affected.
Example	R5 is increased by 10. The jump to TONI is performed on a carry. ADD #10,R5 JC TONI ; Carry occurred ; No carry
Example	R5 is increased by 10. The jump to TONI is performed on a carry. ADD.B #10,R5 ; Add 10 to Lowbyte of R5 JC TONI ; Carry occurred, if (R5) ≥ 246 [0Ah+0F6h] ; No carry

ADDC[.W]	Add source and carry to destination
ADDC.B	Add source and carry to destination
Syntax	ADDC src,dst or ADDC.W src,dst ADDC.B src,dst
Operation	src + dst + C -> dst
Description	The source operand and the carry bit (C) are added to the destination operand. The source operand is not affected. The previous contents of the destination are lost.
Status Bits	N: Set if result is negative, reset if positive Z: Set if result is zero, reset otherwise C: Set if there is a carry from the MSB of the result, reset otherwise V: Set if an arithmetic overflow occurs, otherwise reset
Mode Bits	OSCOFF, CPUOFF, and GIE are not affected.
Example	<p>The 32-bit counter pointed to by R13 is added to a 32-bit counter, eleven words (20/2 + 2/2) above the pointer in R13.</p> <pre>ADD @R13+,20(R13) ; ADD LSDs with no carry in ADDC @R13+,20(R13) ; ADD MSDs with carry ... ; resulting from the LSDs</pre>
Example	<p>The 24-bit counter pointed to by R13 is added to a 24-bit counter, eleven words above the pointer in R13.</p> <pre>ADD.B @R13+,10(R13) ; ADD LSDs with no carry in ADDC.B @R13+,10(R13) ; ADD medium Bits with carry ADDC.B @R13+,10(R13) ; ADD MSDs with carry ... ; resulting from the LSDs</pre>

AND[.W]	Source AND destination
AND.B	Source AND destination
Syntax	AND src,dst or AND.W src,dst AND.B src,dst
Operation	src .AND. dst -> dst
Description	The source operand and the destination operand are logically ANDed. The result is placed into the destination.
Status Bits	N: Set if result MSB is set, reset if not set Z: Set if result is zero, reset otherwise C: Set if result is not zero, reset otherwise (= .NOT. Zero) V: Reset
Mode Bits	OSCOFF, CPUOFF, and GIE are not affected.

Example The bits set in R5 are used as a mask (#0AA55h) for the word addressed by TOM. If the result is zero, a branch is taken to label TONI.

```

MOV        #0AA55h,R5        ; Load mask into register R5
AND        R5,TOM            ; mask word addressed by TOM with R5
JZ         TONI              ;
.....                        ; Result is not zero
;
;
;
;            or
;
;
AND        #0AA55h,TOM
JZ         TONI

```

Example The bits of mask #0A5h are logically ANDed with the low byte TOM. If the result is zero, a branch is taken to label TONI.

```

AND.B     #0A5h,TOM         ; mask Lowbyte TOM with 0A5h
JZ         TONI              ;
.....                        ; Result is not zero

```

BIC.W]	Clear bits in destination
BIC.B	Clear bits in destination
Syntax	BIC src,dst or BIC.W src,dst BIC.B src,dst
Operation	.NOT.src .AND. dst -> dst
Description	The inverted source operand and the destination operand are logically ANDed. The result is placed into the destination. The source operand is not affected.
Status Bits	Status bits are not affected.
Mode Bits	OSCOFF, CPUOFF, and GIE are not affected.
Example	The six MSBs of the RAM word LEO are cleared. BIC #0FC00h,LEO ; Clear 6 MSBs in MEM(LEO)
Example	The five MSBs of the RAM byte LEO are cleared. BIC.B #0F8h,LEO ; Clear 5 MSBs in Ram location LEO

BIS[W]	Set bits in destination
BIS.B	Set bits in destination
Syntax	BIS src,dst or BIS.W src,dst BIS.B src,dst
Operation	src .OR. dst -> dst
Description	The source operand and the destination operand are logically ORed. The result is placed into the destination. The source operand is not affected.
Status Bits	Status bits are not affected.
Mode Bits	OSCOFF, CPUOFF, and GIE are not affected.
Example	The six LSBs of the RAM word TOM are set. BIS #003Fh,TOM; set the six LSBs in RAM location TOM
Example	The three MSBs of RAM byte TOM are set. BIS.B #0E0h,TOM ; set the three MSBs in RAM location TOM

BIT[.W]	Test bits in destination
BIT.B	Test bits in destination
Syntax	BIT src,dst or BIT.W src,dst
Operation	src .AND. dst
Description	The source and destination operands are logically ANDed. The result affects only the status bits. The source and destination operands are not affected.
Status Bits	N: Set if MSB of result is set, reset otherwise Z: Set if result is zero, reset otherwise C: Set if result is not zero, reset otherwise (.NOT. zero) V: Reset
Mode Bits	OSCOFF, CPUOFF, and GIE are not affected.
Example	If bit 9 of R8 is set, a branch is taken to label TOM. <pre> BIT #0200h,R8 ; bit 9 of R8 set? JNZ TOM ; Yes, branch to TOM ... ; No, proceed </pre>
Example	If bit 3 of R8 is set, a branch is taken to label TOM. <pre> BIT.B #8,R8 JC TOM </pre>
Example	A serial communication receive bit (RCV) is tested. Because the carry bit is equal to the state of the tested bit while using the BIT instruction to test a single bit, the carry bit is used by the subsequent instruction; the read information is shifted into register RECBUF. <pre> ; ; Serial communication with LSB is shifted first: ; xxxx xxxx xxxx xxxx BIT.B #RCV,RCCTL ; Bit info into carry RRC RECBUF ; Carry -> MSB of RECBUF ; cxxx xxxx ; repeat previous two instructions ; 8 times ; cccc cccc ; ^ ^ ; MSB LSB ; Serial communication with MSB shifted first: BIT.B #RCV,RCCTL ; Bit info into carry RLC.B RECBUF ; Carry -> LSB of RECBUF ; xxxx xxxc ; repeat previous two instructions ; 8 times ; cccc cccc ; LSB ; MSB </pre>

* BR, BRANCH	Branch to destination
Syntax	BR dst
Operation	dst → PC
Emulation	MOV dst,PC
Description	An unconditional branch is taken to an address anywhere in the 64K address space. All source addressing modes can be used. The branch instruction is a word instruction.
Status Bits	Status bits are not affected.
Example	Examples for all addressing modes are given.
	BR #EXEC ;Branch to label EXEC or direct branch (e.g. #0A4h) ; Core instruction MOV @PC+,PC
	BR EXEC ; Branch to the address contained in EXEC ; Core instruction MOV X(PC),PC ; Indirect address
	BR &EXEC ; Branch to the address contained in absolute ; address EXEC ; Core instruction MOV X(0),PC ; Indirect address
	BR R5 ; Branch to the address contained in R5 ; Core instruction MOV R5,PC ; Indirect R5
	BR @R5 ; Branch to the address contained in the word ; pointed to by R5. ; Core instruction MOV @R5,PC ; Indirect, indirect R5
	BR @R5+ ; Branch to the address contained in the word pointed ; to by R5 and increment pointer in R5 afterwards. ; The next time—S/W flow uses R5 pointer—it can ; alter program execution due to access to ; next address in a table pointed to by R5 ; Core instruction MOV @R5,PC ; Indirect, indirect R5 with autoincrement
	BR X(R5) ; Branch to the address contained in the address ; pointed to by R5 + X (e.g. table with address ; starting at X). X can be an address or a label ; Core instruction MOV X(R5),PC ; Indirect, indirect R5 + X

CALL	Subroutine		
Syntax	CALL	dst	
Operation	dst	-> tmp	dst is evaluated and stored
	SP - 2	-> SP	
	PC	-> @SP	PC updated to TOS
	tmp	-> PC	dst saved to PC
Description	A subroutine call is made to an address anywhere in the 64K address space. All addressing modes can be used. The return address (the address of the following instruction) is stored on the stack. The call instruction is a word instruction.		
Status Bits	Status bits are not affected.		
Example	Examples for all addressing modes are given.		
	CALL	#EXEC	; Call on label EXEC or immediate address (e.g. #0A4h) ; SP-2 → SP, PC+2 → @SP, @PC+ → PC
	CALL	EXEC	; Call on the address contained in EXEC ; SP-2 → SP, PC+2 → @SP, X(PC) → PC ; Indirect address
	CALL	&EXEC	; Call on the address contained in absolute address ; EXEC ; SP-2 → SP, PC+2 → @SP, X(0) → PC ; Indirect address
	CALL	R5	; Call on the address contained in R5 ; SP-2 → SP, PC+2 → @SP, R5 → PC ; Indirect R5
	CALL	@R5	; Call on the address contained in the word ; pointed to by R5 ; SP-2 → SP, PC+2 → @SP, @R5 → PC ; Indirect, indirect R5
	CALL	@R5+	; Call on the address contained in the word ; pointed to by R5 and increment pointer in R5. ; The next time—S/W flow uses R5 pointer— ; it can alter the program execution due to ; access to next address in a table pointed to by R5 ; SP-2 → SP, PC+2 → @SP, @R5 → PC ; Indirect, indirect R5 with autoincrement
	CALL	X(R5)	; Call on the address contained in the address pointed ; to by R5 + X (e.g. table with address starting at X) ; X can be an address or a label ; SP-2 → SP, PC+2 → @SP, X(R5) → PC ; Indirect, indirect R5 + X

* CLR[.W]	Clear destination
* CLR.B	Clear destination
Syntax	CLR dst or CLR.W dst CLR.B dst
Operation	0 -> dst
Emulation	MOV #0,dst MOV.B #0,dst
Description	The destination operand is cleared.
Status Bits	Status bits are not affected.
Example	RAM word TONI is cleared. CLR TONI ; 0 -> TONI
Example	Register R5 is cleared. CLR R5
Example	RAM byte TONI is cleared. CLR.B TONI ; 0 -> TONI

* CLRC	Clear carry bit
Syntax	CLRC
Operation	0 → C
Emulation	BIC #1,SR
Description	The carry bit (C) is cleared. The clear carry instruction is a word instruction.
Status Bits	N: Not affected Z: Not affected C: Cleared V: Not affected
Mode Bits	OSCOFF, CPUOFF, and GIE are not affected.
Example	The 16-bit decimal counter pointed to by R13 is added to a 32-bit counter pointed to by R12. CLRC ; C = 0: defines start DADD @R13,0(R12) ; add 16-bit counter to low word of 32-bit counter DADC 2(R12) ; add carry to high word of 32-bit counter

* CLRN	Clear negative bit
Syntax	CLRN
Operation	0 → N or (.NOT.src .AND. dst → dst)
Emulation	BIC #4,SR
Description	The constant 04h is inverted (0FFFBh) and is logically ANDed with the destination operand. The result is placed into the destination. The clear negative bit instruction is a word instruction.
Status Bits	N: Reset to 0 Z: Not affected C: Not affected V: Not affected
Mode Bits	OSCOFF, CPUOFF, and GIE are not affected.
Example	The Negative bit in the status register is cleared. This avoids special treatment with negative numbers of the subroutine called.
	CLRN
	CALL SUBR

SUBR	JN SUBRET ; If input is negative: do nothing and return

SUBRET	RET

* CLRZ	Clear zero bit
Syntax	CLRZ
Operation	0 → Z or (.NOT.src .AND. dst → dst)
Emulation	BIC #2,SR
Description	The constant 02h is inverted (0FFFDh) and logically ANDed with the destination operand. The result is placed into the destination. The clear zero bit instruction is a word instruction.
Status Bits	N: Not affected Z: Reset to 0 C: Not affected V: Not affected
Mode Bits	OSCOFF, CPUOFF, and GIE are not affected.
Example	The zero bit in the status register is cleared. CLRZ

CMP[.W]	Compare source and destination
CMP.B	Compare source and destination
Syntax	CMP src,dst or CMP.W src,dst CMP.B src,dst
Operation	dst + .NOT.src + 1 or (dst – src)
Description	The source operand is subtracted from the destination operand. This is accomplished by adding the 1s complement of the source operand plus 1. The two operands are not affected and the result is not stored; only the status bits are affected.
Status Bits	N: Set if result is negative, reset if positive (src >= dst) Z: Set if result is zero, reset otherwise (src = dst) C: Set if there is a carry from the MSB of the result, reset otherwise V: Set if an arithmetic overflow occurs, otherwise reset
Mode Bits	OSCOFF, CPUOFF, and GIE are not affected.
Example	R5 and R6 are compared. If they are equal, the program continues at the label EQUAL. CMP R5,R6 ; R5 = R6? JEQ EQUAL ; YES, JUMP
Example	Two RAM blocks are compared. If they are not equal, the program branches to the label ERROR. MOV #NUM,R5 ; number of words to be compared MOV #BLOCK1,R6 ; BLOCK1 start address in R6 MOV #BLOCK2,R7 ; BLOCK2 start address in R7 L\$1 CMP @R6+,0(R7) ; Are Words equal? R6 increments JNZ ERROR ; No, branch to ERROR INCD R7 ; Increment R7 pointer DEC R5 ; Are all words compared? JNZ L\$1 ; No, another compare
Example	The RAM bytes addressed by EDE and TONI are compared. If they are equal, the program continues at the label EQUAL. CMP.B EDE,TONI ; MEM(EDE) = MEM(TONI)? JEQ EQUAL ; YES, JUMP

* DADC[.W]	Add carry decimally to destination
* DADC.B	Add carry decimally to destination
Syntax	DADC dst or DADC.W src,dst DADC.B dst
Operation	dst + C -> dst (decimally)
Emulation	DADD #0,dst DADD.B #0,dst
Description	The carry bit (C) is added decimally to the destination.
Status Bits	N: Set if MSB is 1 Z: Set if dst is 0, reset otherwise C: Set if destination increments from 9999 to 0000, reset otherwise Set if destination increments from 99 to 00, reset otherwise V: Undefined
Mode Bits	OSCOFF, CPUOFF, and GIE are not affected.
Example	The four-digit decimal number contained in R5 is added to an eight-digit decimal number pointed to by R8. <pre>CLRC ; Reset carry ; next instruction's start condition is defined DADD R5,0(R8) ; Add LSDs + C DADC 2(R8) ; Add carry to MSD</pre>
Example	The two-digit decimal number contained in R5 is added to a four-digit decimal number pointed to by R8. <pre>CLRC ; Reset carry ; next instruction's start condition is defined DADD.B R5,0(R8) ; Add LSDs + C DADC 1(R8) ; Add carry to MSDs</pre>

DADD[.W]	Source and carry added decimally to destination
DADD.B	Source and carry added decimally to destination
Syntax	DADD src,dst or DADD.W src,dst DADD.B src,dst
Operation	src + dst + C → dst (decimally)
Description	The source operand and the destination operand are treated as four binary coded decimals (BCD) with positive signs. The source operand and the carry bit (C) are added decimally to the destination operand. The source operand is not affected. The previous contents of the destination are lost. The result is not defined for non-BCD numbers.
Status Bits	N: Set if the MSB is 1, reset otherwise Z: Set if result is zero, reset otherwise C: Set if the result is greater than 9999 Set if the result is greater than 99 V: Undefined
Mode Bits	OSCOFF, CPUOFF, and GIE are not affected.
Example	The eight-digit BCD number contained in R5 and R6 is added decimally to an eight-digit BCD number contained in R3 and R4 (R6 and R4 contain the MSDs). <pre>CLRC ; clear carry DADD R5,R3 ; add LSDs DADD R6,R4 ; add MSDs with carry JC OVERFLOW ; If carry occurs go to error handling routine</pre>
Example	The two-digit decimal counter in the RAM byte CNT is incremented by one. <pre>CLRC ; clear carry DADD.B #1,CNT ; increment decimal counter</pre> <p>or</p> <pre>SETC DADD.B #0,CNT ; ≡ DADC.B CNT</pre>

* DEC[.W]	Decrement destination
* DEC.B	Decrement destination
Syntax	DEC dst or DEC.W dst DEC.B dst
Operation	dst - 1 -> dst
Emulation	SUB #1,dst
Emulation	SUB.B #1,dst
Description	The destination operand is decremented by one. The original contents are lost.
Status Bits	N: Set if result is negative, reset if positive Z: Set if dst contained 1, reset otherwise C: Reset if dst contained 0, set otherwise V: Set if an arithmetic overflow occurs, otherwise reset. Set if initial value of destination was 08000h, otherwise reset. Set if initial value of destination was 080h, otherwise reset.
Mode Bits	OSCOFF, CPUOFF, and GIE are not affected.
Example	R10 is decremented by 1 DEC R10 ; Decrement R10

; Move a block of 255 bytes from memory location starting with EDE to memory location starting with ;TONI. Tables should not overlap: start of destination address TONI must not be within the range EDE ; to EDE+0FEh ;

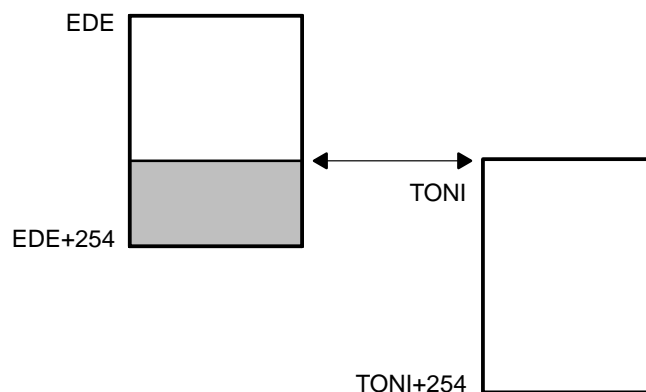
```

MOV        #EDE,R6
MOV        #255,R10
L$1        MOV.B     @R6+,TONI-EDE-1(R6)
DEC        R10
JNZ        L$1

```

; Do not transfer tables using the routine above with the overlap shown in Figure 3-12.

Figure 3-12. Decrement Overlap



* DECD[.W]	Double-decrement destination
* DECD.B	Double-decrement destination
Syntax	DECD dst or DECD.W dst DECD.B dst
Operation	dst - 2 -> dst
Emulation	SUB #2,dst
Emulation	SUB.B #2,dst
Description	The destination operand is decremented by two. The original contents are lost.
Status Bits	N: Set if result is negative, reset if positive Z: Set if dst contained 2, reset otherwise C: Reset if dst contained 0 or 1, set otherwise V: Set if an arithmetic overflow occurs, otherwise reset. Set if initial value of destination was 08001 or 08000h, otherwise reset. Set if initial value of destination was 081 or 080h, otherwise reset.
Mode Bits	OSCOFF, CPUOFF, and GIE are not affected.
Example	R10 is decremented by 2.

```
                  DECD       R10           ; Decrement R10 by two
```

```
; Move a block of 255 words from memory location starting with EDE to memory location
; starting with TONI
; Tables should not overlap: start of destination address TONI must not be within the
; range EDE to EDE+0FEh
;
```

```
                  MOV        #EDE,R6
                  MOV        #510,R10
L$1               MOV        @R6+,TONI-EDE-2(R6)
                  DECD       R10
                  JNZ        L$1
```

Example Memory at location LEO is decremented by two.

```
                  DECD.B     LEO           ; Decrement MEM(LEO)
```

Decrement status byte STATUS by two.

```
                  DECD.B     STATUS
```

* DINT	Disable (general) interrupts
Syntax	DINT
Operation	0 → GIE or (0FFF7h .AND. SR → SR / .NOT.src .AND. dst → dst)
Emulation	BIC #8,SR
Description	All interrupts are disabled. The constant 08h is inverted and logically ANDed with the status register (SR). The result is placed into the SR.
Status Bits	Status bits are not affected.
Mode Bits	GIE is reset. OSCOFF and CPUOFF are not affected.
Example	The general interrupt enable (GIE) bit in the status register is cleared to allow a nondisrupted move of a 32-bit counter. This ensures that the counter is not modified during the move by any interrupt. <pre>DINT ; All interrupt events using the GIE bit are disabled NOP MOV COUNTHI,R5 ; Copy counter MOV COUNTLO,R6 EINT ; All interrupt events using the GIE bit are enabled</pre>

Note: Disable Interrupt

If any code sequence needs to be protected from interruption, the DINT should be executed at least one instruction before the beginning of the uninterruptible sequence, or should be followed by a NOP instruction.

* EINT	Enable (general) interrupts
Syntax	EINT
Operation	1 → GIE or (0008h .OR. SR → SR / .src .OR. dst → dst)
Emulation	BIS #8,SR
Description	All interrupts are enabled. The constant #08h and the status register SR are logically ORed. The result is placed into the SR.
Status Bits	Status bits are not affected.
Mode Bits	GIE is set. OSCOFF and CPUOFF are not affected.
Example	The general interrupt enable (GIE) bit in the status register is set.

```

; Interrupt routine of ports P1.2 to P1.7
; P1IN is the address of the register where all port bits are read. P1IFG is the address of
; the register where all interrupt events are latched.
;
      PUSH.B  &P1IN
      BIC.B   @SP,&P1IFG ; Reset only accepted flags
      EINT                    ; Preset port 1 interrupt flags stored on stack
                          ; other interrupts are allowed

      BIT     #Mask,@SP
      JEQ    MaskOK ; Flags are present identically to mask: jump
      .....

MaskOK BIC     #Mask,@SP
      .....
      INCD   SP ; Housekeeping: inverse to PUSH instruction
                          ; at the start of interrupt subroutine. Corrects
                          ; the stack pointer.

      RETI

```

Note: Enable Interrupt

The instruction following the enable interrupt instruction (EINT) is always executed, even if an interrupt service request is pending when the interrupts are enable.

* INC[.W]	Increment destination
* INC.B	Increment destination
Syntax	INC dst or INC.W dst INC.B dst
Operation	dst + 1 -> dst
Emulation	ADD #1,dst
Description	The destination operand is incremented by one. The original contents are lost.
Status Bits	N: Set if result is negative, reset if positive Z: Set if dst contained 0FFFFh, reset otherwise Set if dst contained 0FFh, reset otherwise C: Set if dst contained 0FFFFh, reset otherwise Set if dst contained 0FFh, reset otherwise V: Set if dst contained 07FFFh, reset otherwise Set if dst contained 07Fh, reset otherwise
Mode Bits	OSCOFF, CPUOFF, and GIE are not affected.
Example	The status byte, STATUS, of a process is incremented. When it is equal to 11, a branch to OVFL is taken.
	<pre> INC.B STATUS CMP.B #11,STATUS JEQ OVFL </pre>

* INCD[.W]	Double-increment destination
* INCD.B	Double-increment destination
Syntax	INCD dst or INCD.W dst INCD.B dst
Operation	dst + 2 -> dst
Emulation	ADD #2,dst
Emulation	ADD.B #2,dst
Example	The destination operand is incremented by two. The original contents are lost.
Status Bits	N: Set if result is negative, reset if positive Z: Set if dst contained 0FFFEh, reset otherwise Set if dst contained 0FEh, reset otherwise C: Set if dst contained 0FFFEh or 0FFFFh, reset otherwise Set if dst contained 0FEh or 0FFh, reset otherwise V: Set if dst contained 07FFEh or 07FFFh, reset otherwise Set if dst contained 07Eh or 07Fh, reset otherwise
Mode Bits	OSCOFF, CPUOFF, and GIE are not affected.
Example	The item on the top of the stack (TOS) is removed without using a register. PUSH R5 ; R5 is the result of a calculation, which is stored ; in the system stack INCD SP ; Remove TOS by double-increment from stack ; Do not use INCD.B, SP is a word-aligned ; register RET
Example	The byte on the top of the stack is incremented by two. INCD.B 0(SP) ; Byte on TOS is increment by two

* INV[.W]	Invert destination
* INV.B	Invert destination
Syntax	INV dst INV.B dst
Operation	.NOT.dst -> dst
Emulation	XOR #0FFFFh,dst
Emulation	XOR.B #0FFh,dst
Description	The destination operand is inverted. The original contents are lost.
Status Bits	N: Set if result is negative, reset if positive Z: Set if dst contained 0FFFFh, reset otherwise Set if dst contained 0FFh, reset otherwise C: Set if result is not zero, reset otherwise (= .NOT. Zero) Set if result is not zero, reset otherwise (= .NOT. Zero) V: Set if initial destination operand was negative, otherwise reset
Mode Bits	OSCOFF, CPUOFF, and GIE are not affected.
Example	Content of R5 is negated (twos complement). MOV #00AEh,R5 ; R5 = 000AEh INV R5 ; Invert R5, R5 = 0FF51h INC R5 ; R5 is now negated, R5 = 0FF52h
Example	Content of memory byte LEO is negated. MOV.B #0AEh,LEO ; MEM(LEO) = 0AEh INV.B LEO ; Invert LEO, MEM(LEO) = 051h INC.B LEO ; MEM(LEO) is negated, MEM(LEO) = 052h

JC Jump if carry set
JHS Jump if higher or same

Syntax JC label
 JHS label

Operation If C = 1: PC + 2 × offset → PC
 If C = 0: execute following instruction

Description The status register carry bit (C) is tested. If it is set, the 10-bit signed offset contained in the instruction LSBs is added to the program counter. If C is reset, the next instruction following the jump is executed. JC (jump if carry/higher or same) is used for the comparison of unsigned numbers (0 to 65536).

Status Bits Status bits are not affected.

Example The P1IN.1 signal is used to define or control the program flow.

```

BIT        #01h,&P1IN    ; State of signal → Carry
JC         PROGA        ; If carry=1 then execute program routine A
.....                    ; Carry=0, execute program here
    
```

Example R5 is compared to 15. If the content is higher or the same, branch to LABEL.

```

CMP        #15,R5
JHS        LABEL        ; Jump is taken if R5 ≥ 15
.....                    ; Continue here if R5 < 15
    
```

JEQ, JZ	Jump if equal, jump if zero
Syntax	JEQ label, JZ label
Operation	If Z = 1: PC + 2 × offset → PC If Z = 0: execute following instruction
Description	The status register zero bit (Z) is tested. If it is set, the 10-bit signed offset contained in the instruction LSBs is added to the program counter. If Z is not set, the instruction following the jump is executed.
Status Bits	Status bits are not affected.
Example	Jump to address TONI if R7 contains zero. TST R7 ; Test R7 JZ TONI ; if zero: JUMP
Example	Jump to address LEO if R6 is equal to the table contents. CMP R6,Table(R5) ; Compare content of R6 with content of ; MEM (table address + content of R5) JEQ LEO ; Jump if both data are equal ; No, data are not equal, continue here
Example	Branch to LABEL if R5 is 0. TST R5 JZ LABEL

JGE	Jump if greater or equal
Syntax	JGE label
Operation	If (N .XOR. V) = 0 then jump to label: PC + 2 × offset → PC If (N .XOR. V) = 1 then execute the following instruction
Description	The status register negative bit (N) and overflow bit (V) are tested. If both N and V are set or reset, the 10-bit signed offset contained in the instruction LSBs is added to the program counter. If only one is set, the instruction following the jump is executed. This allows comparison of signed integers.
Status Bits	Status bits are not affected.
Example	When the content of R6 is greater or equal to the memory pointed to by R7, the program continues at label EDE. CMP @R7,R6 ; R6 ≥ (R7)?, compare on signed numbers JGE EDE ; Yes, R6 ≥ (R7) ; No, proceed

JL	Jump if less
Syntax	JL label
Operation	If (N .XOR. V) = 1 then jump to label: PC + 2 × offset → PC If (N .XOR. V) = 0 then execute following instruction
Description	The status register negative bit (N) and overflow bit (V) are tested. If only one is set, the 10-bit signed offset contained in the instruction LSBs is added to the program counter. If both N and V are set or reset, the instruction following the jump is executed. This allows comparison of signed integers.
Status Bits	Status bits are not affected.
Example	When the content of R6 is less than the memory pointed to by R7, the program continues at label EDE. <pre> CMP @R7,R6 ; R6 < (R7)?, compare on signed numbers JL EDE ; Yes, R6 < (R7) ; No, proceed </pre>

JMP	Jump unconditionally
Syntax	JMP label
Operation	$PC + 2 \times \text{offset} \rightarrow PC$
Description	The 10-bit signed offset contained in the instruction LSBs is added to the program counter.
Status Bits	Status bits are not affected.
Hint:	This one-word instruction replaces the BRANCH instruction in the range of -511 to +512 words relative to the current program counter.

JN	Jump if negative
Syntax	JN label
Operation	if N = 1: PC + 2 × offset → PC if N = 0: execute following instruction
Description	The negative bit (N) of the status register is tested. If it is set, the 10-bit signed offset contained in the instruction LSBs is added to the program counter. If N is reset, the next instruction following the jump is executed.
Status Bits	Status bits are not affected.
Example	The result of a computation in R5 is to be subtracted from COUNT. If the result is negative, COUNT is to be cleared and the program continues execution in another path.
	<pre> SUB R5,COUNT ; COUNT - R5 -> COUNT JN L\$1 ; If negative continue with COUNT=0 at PC=L\$1 ; Continue with COUNT≥0 CLR COUNT </pre>
L\$1	

JNC	Jump if carry not set
JLO	Jump if lower
Syntax	JNC label JLO label
Operation	if C = 0: PC + 2 × offset → PC if C = 1: execute following instruction
Description	The status register carry bit (C) is tested. If it is reset, the 10-bit signed offset contained in the instruction LSBs is added to the program counter. If C is set, the next instruction following the jump is executed. JNC (jump if no carry/lower) is used for the comparison of unsigned numbers (0 to 65536).
Status Bits	Status bits are not affected.
Example	The result in R6 is added in BUFFER. If an overflow occurs, an error handling routine at address ERROR is used.
	ADD R6,BUFFER ; BUFFER + R6 → BUFFER
	JNC CONT ; No carry, jump to CONT
ERROR ; Error handler start

CONT ; Continue with normal program flow

Example	Branch to STL2 if byte STATUS contains 1 or 0.
	CMP.B #2,STATUS
	JLO STL2 ; STATUS < 2
 ; STATUS ≥ 2, continue here

JNE	Jump if not equal
JNZ	Jump if not zero
Syntax	JNE label JNZ label
Operation	If Z = 0: PC + 2 × offset → PC If Z = 1: execute following instruction
Description	The status register zero bit (Z) is tested. If it is reset, the 10-bit signed offset contained in the instruction LSBs is added to the program counter. If Z is set, the next instruction following the jump is executed.
Status Bits	Status bits are not affected.
Example	Jump to address TONI if R7 and R8 have different contents. CMP R7,R8 ; COMPARE R7 WITH R8 JNE TONI ; if different: jump ; if equal, continue

MOV[.W]	Move source to destination
MOV.B	Move source to destination
Syntax	MOV src,dst or MOV.W src,dst MOV.B src,dst
Operation	src -> dst
Description	The source operand is moved to the destination. The source operand is not affected. The previous contents of the destination are lost.
Status Bits	Status bits are not affected.
Mode Bits	OSCOFF, CPUOFF, and GIE are not affected.
Example	The contents of table EDE (word data) are copied to table TOM. The length of the tables must be 020h locations.
Loop	<pre> MOV #EDE,R10 ; Prepare pointer MOV #020h,R9 ; Prepare counter MOV @R10+,TOM-EDE-2(R10) ; Use pointer in R10 for both tables DEC R9 ; Decrement counter JNZ Loop ; Counter ≠ 0, continue copying ; Copying completed </pre>
Example	The contents of table EDE (byte data) are copied to table TOM. The length of the tables should be 020h locations
Loop	<pre> MOV #EDE,R10 ; Prepare pointer MOV #020h,R9 ; Prepare counter MOV.B @R10+,TOM-EDE-1(R10) ; Use pointer in R10 for ; both tables DEC R9 ; Decrement counter JNZ Loop ; Counter ≠ 0, continue ; copying ; Copying completed </pre>

* NOP	No operation
Syntax	NOP
Operation	None
Emulation	MOV #0, R3
Description	No operation is performed. The instruction may be used for the elimination of instructions during the software check or for defined waiting times.
Status Bits	Status bits are not affected.

The NOP instruction is mainly used for two purposes:

- To fill one, two, or three memory words
- To adjust software timing

Note: Emulating No-Operation Instruction

Other instructions can emulate the NOP function while providing different numbers of instruction cycles and code words. Some examples are:

Examples:

MOV	#0,R3	; 1 cycle, 1 word
MOV	0(R4),0(R4)	; 6 cycles, 3 words
MOV	@R4,0(R4)	; 5 cycles, 2 words
BIC	#0,EDE(R4)	; 4 cycles, 2 words
JMP	\$+2	; 2 cycles, 1 word
BIC	#0,R5	; 1 cycle, 1 word

However, care should be taken when using these examples to prevent unintended results. For example, if MOV 0(R4), 0(R4) is used and the value in R4 is 120h, then a security violation will occur with the watchdog timer (address 120h) because the security key was not used.

* POP[.W]	Pop word from stack to destination
* POP.B	Pop byte from stack to destination
Syntax	POP dst POP.B dst
Operation	@SP -> temp SP + 2 -> SP temp -> dst
Emulation	MOV @SP+,dst or MOV.W @SP+,dst
Emulation	MOV.B @SP+,dst
Description	The stack location pointed to by the stack pointer (TOS) is moved to the destination. The stack pointer is incremented by two afterwards.
Status Bits	Status bits are not affected.
Example	The contents of R7 and the status register are restored from the stack. POP R7 ; Restore R7 POP SR ; Restore status register
Example	The contents of RAM byte LEO is restored from the stack. POP.B LEO ; The low byte of the stack is moved to LEO.
Example	The contents of R7 is restored from the stack. POP.B R7 ; The low byte of the stack is moved to R7, ; the high byte of R7 is 00h
Example	The contents of the memory pointed to by R7 and the status register are restored from the stack. POP.B 0(R7) ; The low byte of the stack is moved to the ; the byte which is pointed to by R7 : Example: R7 = 203h ; ; Mem(R7) = low byte of system stack : Example: R7 = 20Ah ; ; Mem(R7) = low byte of system stack POP SR ; Last word on stack moved to the SR

Note: The System Stack Pointer

The system stack pointer (SP) is always incremented by two, independent of the byte suffix.

PUSH[.W]	Push word onto stack
PUSH.B	Push byte onto stack
Syntax	PUSH src or PUSH.W src PUSH.B src
Operation	SP - 2 → SP src → @SP
Description	The stack pointer is decremented by two, then the source operand is moved to the RAM word addressed by the stack pointer (TOS).
Status Bits	Status bits are not affected.
Mode Bits	OSCOFF, CPUOFF, and GIE are not affected.
Example	The contents of the status register and R8 are saved on the stack. PUSH SR ; save status register PUSH R8 ; save R8
Example	The contents of the peripheral TCDAT is saved on the stack. PUSH.B &TCDAT ; save data from 8-bit peripheral module, ; address TCDAT, onto stack

Note: The System Stack Pointer

The system stack pointer (SP) is always decremented by two, independent of the byte suffix.

* RET	Return from subroutine
Syntax	RET
Operation	@SP → PC SP + 2 → SP
Emulation	MOV @SP+, PC
Description	The return address pushed onto the stack by a CALL instruction is moved to the program counter. The program continues at the code address following the subroutine call.
Status Bits	Status bits are not affected.

RETI Return from interrupt

Syntax RETI

Operation
 TOS → SR
 SP + 2 → SP
 TOS → PC
 SP + 2 → SP

Description The status register is restored to the value at the beginning of the interrupt service routine by replacing the present SR contents with the TOS contents. The stack pointer (SP) is incremented by two.

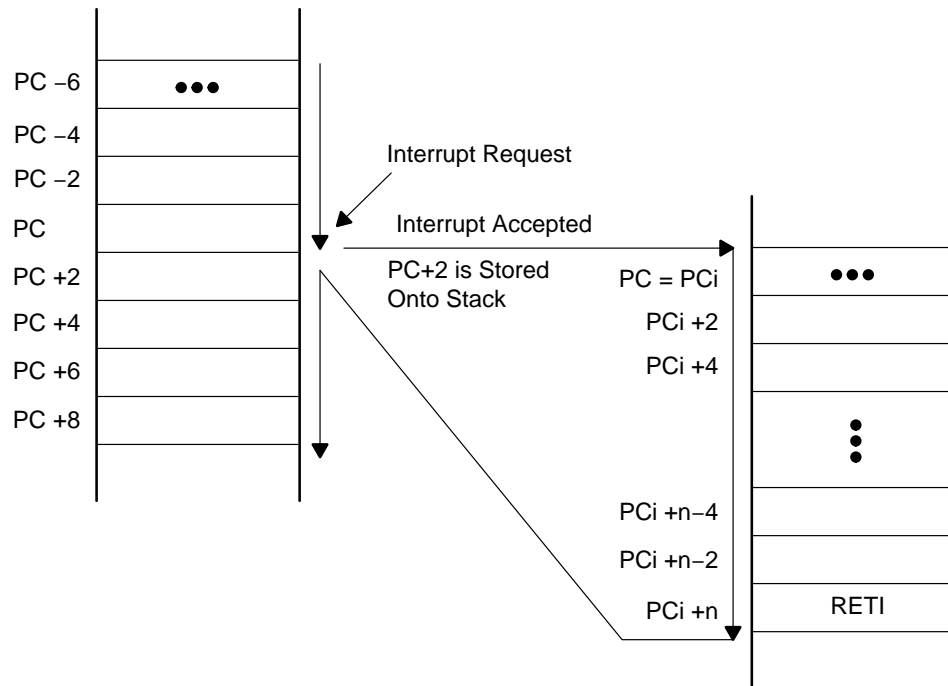
The program counter is restored to the value at the beginning of interrupt service. This is the consecutive step after the interrupted program flow. Restoration is performed by replacing the present PC contents with the TOS memory contents. The stack pointer (SP) is incremented.

Status Bits
 N: restored from system stack
 Z: restored from system stack
 C: restored from system stack
 V: restored from system stack

Mode Bits OSCOFF, CPUOFF, and GIE are restored from system stack.

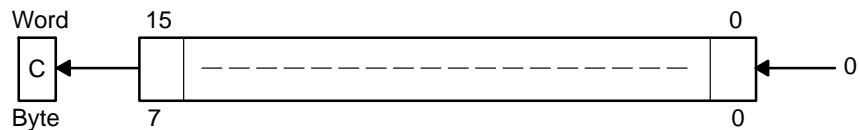
Example Figure 3–13 illustrates the main program interrupt.

Figure 3–13. Main Program Interrupt



* RLA[.W]	Rotate left arithmetically
* RLA.B	Rotate left arithmetically
Syntax	RLA dst or RLA.W dst RLA.B dst
Operation	C ← MSB ← MSB-1 LSB+1 ← LSB ← 0
Emulation	ADD dst,dst ADD.B dst,dst
Description	The destination operand is shifted left one position as shown in Figure 3-14. The MSB is shifted into the carry bit (C) and the LSB is filled with 0. The RLA instruction acts as a signed multiplication by 2. An overflow occurs if $dst \geq 04000h$ and $dst < 0C000h$ before operation is performed: the result has changed sign.

Figure 3-14. Destination Operand—Arithmetic Shift Left



An overflow occurs if $dst \geq 040h$ and $dst < 0C0h$ before the operation is performed: the result has changed sign.

Status Bits	N: Set if result is negative, reset if positive Z: Set if result is zero, reset otherwise C: Loaded from the MSB V: Set if an arithmetic overflow occurs: the initial value is $04000h \leq dst < 0C000h$; reset otherwise Set if an arithmetic overflow occurs: the initial value is $040h \leq dst < 0C0h$; reset otherwise
--------------------	---

Mode Bits OSCOFF, CPUOFF, and GIE are not affected.

Example R7 is multiplied by 2.

```
RLA        R7            ; Shift left R7 (× 2)
```

Example The low byte of R7 is multiplied by 4.

```
RLA.B     R7            ; Shift left low byte of R7 (× 2)
RLA.B     R7            ; Shift left low byte of R7 (× 4)
```

Note: RLA Substitution

The assembler does not recognize the instruction:

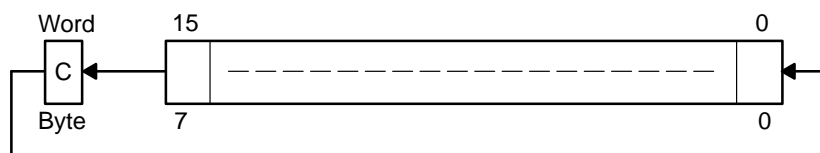
```
RLA @R5+,            RLA.B @R5+,            or        RLA(.B) @R5
```

It must be substituted by:

```
ADD @R5+,-2(R5) ADD.B @R5+,-1(R5) or        ADD(.B) @R5
```

* RLC[.W]	Rotate left through carry
* RLC.B	Rotate left through carry
Syntax	RLC dst or RLC.W dst RLC.B dst
Operation	C ← MSB ← MSB-1 ... LSB+1 ← LSB ← C
Emulation	ADDC dst,dst
Description	The destination operand is shifted left one position as shown in Figure 3-15. The carry bit (C) is shifted into the LSB and the MSB is shifted into the carry bit (C).

Figure 3-15. Destination Operand—Carry Left Shift



Status Bits

- N: Set if result is negative, reset if positive
- Z: Set if result is zero, reset otherwise
- C: Loaded from the MSB
- V: Set if an arithmetic overflow occurs
the initial value is 04000h ≤ dst < 0C000h; reset otherwise
Set if an arithmetic overflow occurs:
the initial value is 040h ≤ dst < 0C0h; reset otherwise

Mode Bits OSCOFF, CPUOFF, and GIE are not affected.

Example R5 is shifted left one position.

```
RLC     R5            ; (R5 x 2) + C -> R5
```

Example The input P1IN.1 information is shifted into the LSB of R5.

```
BIT.B    #2,&P1IN     ; Information -> Carry  
RLC     R5            ; Carry=P0in.1 -> LSB of R5
```

Example The MEM(LEO) content is shifted left one position.

```
RLC.B    LEO           ; Mem(LEO) x 2 + C -> Mem(LEO)
```

Note: RLC and RLC.B Substitution

The assembler does not recognize the instruction:

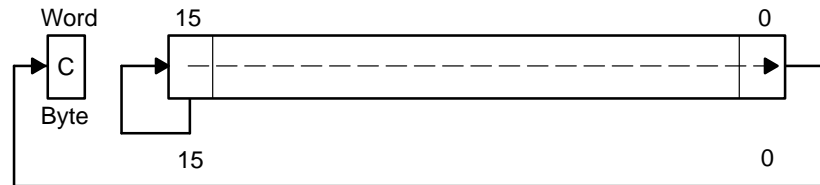
```
RLC @R5+,            RLC.B @R5+,            or RLC(.B) @R5
```

It must be substituted by:

```
ADDC @R5+,-2(R5)    ADDC.B @R5+,-1(R5)    or ADDC(.B) @R5
```

RRA[.W]	Rotate right arithmetically
RRA.B	Rotate right arithmetically
Syntax	RRA dst or RRA.W dst RRA.B dst
Operation	MSB → MSB, MSB → MSB-1, ... LSB+1 → LSB, LSB → C
Description	The destination operand is shifted right one position as shown in Figure 3-16. The MSB is shifted into the MSB, the MSB is shifted into the MSB-1, and the LSB+1 is shifted into the LSB.

Figure 3-16. Destination Operand—Arithmetic Right Shift



Status Bits

- N: Set if result is negative, reset if positive
- Z: Set if result is zero, reset otherwise
- C: Loaded from the LSB
- V: Reset

Mode Bits OSCOFF, CPUOFF, and GIE are not affected.

Example R5 is shifted right one position. The MSB retains the old value. It operates equal to an arithmetic division by 2.

```
RRA    R5        ; R5/2 → R5
;
;
;
PUSH   R5        ; Hold R5 temporarily using stack
RRA    R5        ; R5 × 0.5 → R5
ADD    @SP+,R5   ; R5 × 0.5 + R5 = 1.5 × R5 → R5
RRA    R5        ; (1.5 × R5) × 0.5 = 0.75 × R5 → R5
.....
```

Example The low byte of R5 is shifted right one position. The MSB retains the old value. It operates equal to an arithmetic division by 2.

```
RRA.B  R5        ; R5/2 → R5: operation is on low byte only
; High byte of R5 is reset
PUSH.B R5        ; R5 × 0.5 → TOS
RRA.B  @SP       ; TOS × 0.5 = 0.5 × R5 × 0.5 = 0.25 × R5 → TOS
ADD.B  @SP+,R5   ; R5 × 0.5 + R5 × 0.25 = 0.75 × R5 → R5
.....
```

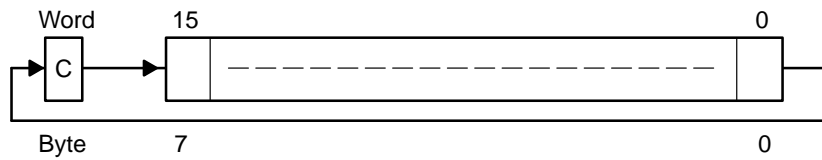
RRC[.W] Rotate right through carry
RRC.B Rotate right through carry

Syntax RRC dst or RRC.W dst
RRC dst

Operation C → MSB → MSB-1 ... LSB+1 → LSB → C

Description The destination operand is shifted right one position as shown in Figure 3-17. The carry bit (C) is shifted into the MSB, the LSB is shifted into the carry bit (C).

Figure 3-17. Destination Operand—Carry Right Shift



Status Bits N: Set if result is negative, reset if positive
Z: Set if result is zero, reset otherwise
C: Loaded from the LSB
V: Reset

Mode Bits OSCOFF, CPUOFF, and GIE are not affected.

Example R5 is shifted right one position. The MSB is loaded with 1.

```
SETC          ; Prepare carry for MSB
RRC          R5      ; R5/2 + 8000h → R5
```

Example R5 is shifted right one position. The MSB is loaded with 1.

```
SETC          ; Prepare carry for MSB
RRC.B        R5      ; R5/2 + 80h → R5; low byte of R5 is used
```

* SBC[.W]	Subtract source and borrow/.NOT. carry from destination
* SBC.B	Subtract source and borrow/.NOT. carry from destination
Syntax	SBC dst or SBC.W dst SBC.B dst
Operation	dst + 0FFFFh + C -> dst dst + 0FFh + C -> dst
Emulation	SUBC #0,dst SUBC.B #0,dst
Description	The carry bit (C) is added to the destination operand minus one. The previous contents of the destination are lost.
Status Bits	N: Set if result is negative, reset if positive Z: Set if result is zero, reset otherwise C: Set if there is a carry from the MSB of the result, reset otherwise. Set to 1 if no borrow, reset if borrow. V: Set if an arithmetic overflow occurs, reset otherwise.
Mode Bits	OSCOFF, CPUOFF, and GIE are not affected.
Example	The 16-bit counter pointed to by R13 is subtracted from a 32-bit counter pointed to by R12. SUB @R13,0(R12) ; Subtract LSDs SBC 2(R12) ; Subtract carry from MSD
Example	The 8-bit counter pointed to by R13 is subtracted from a 16-bit counter pointed to by R12. SUB.B @R13,0(R12) ; Subtract LSDs SBC.B 1(R12) ; Subtract carry from MSD

Note: Borrow Implementation.

The borrow is treated as a .NOT. carry :	Borrow	Carry bit
	Yes	0
	No	1

* SETC	Set carry bit	
Syntax	SETC	
Operation	1 → C	
Emulation	BIS	#1,SR
Description	The carry bit (C) is set.	
Status Bits	N: Not affected Z: Not affected C: Set V: Not affected	
Mode Bits	OSCOFF, CPUOFF, and GIE are not affected.	
Example	Emulation of the decimal subtraction: Subtract R5 from R6 decimally Assume that R5 = 03987h and R6 = 04137h	
DSUB	ADD	#06666h,R5 ; Move content R5 from 0–9 to 6–0Fh ; R5 = 03987h + 06666h = 09FEDh
	INV	R5 ; Invert this (result back to 0–9) ; R5 = .NOT. R5 = 06012h
	SETC	; Prepare carry = 1
	DADD	R5,R6 ; Emulate subtraction by addition of: ; (010000h – R5 – 1) ; R6 = R6 + R5 + 1 ; R6 = 0150h

* SETN	Set negative bit
Syntax	SETN
Operation	1 -> N
Emulation	BIS #4,SR
Description	The negative bit (N) is set.
Status Bits	N: Set Z: Not affected C: Not affected V: Not affected
Mode Bits	OSCOFF, CPUOFF, and GIE are not affected.

* SETZ	Set zero bit
Syntax	SETZ
Operation	1 → Z
Emulation	BIS #2,SR
Description	The zero bit (Z) is set.
Status Bits	N: Not affected Z: Set C: Not affected V: Not affected
Mode Bits	OSCOFF, CPUOFF, and GIE are not affected.

SUB[.W]	Subtract source from destination
SUB.B	Subtract source from destination
Syntax	SUB src,dst or SUB.W src,dst SUB.B src,dst
Operation	dst + .NOT.src + 1 -> dst or [(dst - src -> dst)]
Description	The source operand is subtracted from the destination operand by adding the source operand's 1s complement and the constant 1. The source operand is not affected. The previous contents of the destination are lost.
Status Bits	N: Set if result is negative, reset if positive Z: Set if result is zero, reset otherwise C: Set if there is a carry from the MSB of the result, reset otherwise. Set to 1 if no borrow, reset if borrow. V: Set if an arithmetic overflow occurs, otherwise reset
Mode Bits	OSCOFF, CPUOFF, and GIE are not affected.
Example	See example at the SBC instruction.
Example	See example at the SBC.B instruction.

Note: Borrow Is Treated as a .NOT.

The borrow is treated as a .NOT. carry :	Borrow	Carry bit
	Yes	0
	No	1

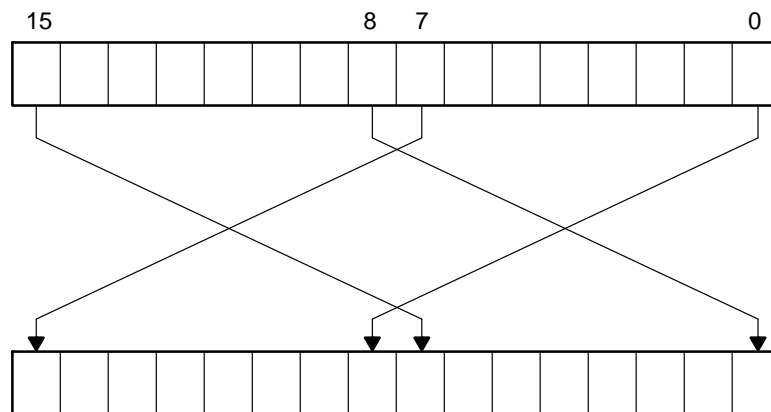
SUBC[.W]SBB[.W]	Subtract source and borrow/.NOT. carry from destination
SUBC.B,SBB.B	Subtract source and borrow/.NOT. carry from destination
Syntax	SUBC src,dst or SUBC.W src,dst or SBB src,dst or SBB.W src,dst SUBC.B src,dst or SBB.B src,dst
Operation	dst + .NOT.src + C -> dst or (dst - src - 1 + C -> dst)
Description	The source operand is subtracted from the destination operand by adding the source operand's 1s complement and the carry bit (C). The source operand is not affected. The previous contents of the destination are lost.
Status Bits	N: Set if result is negative, reset if positive. Z: Set if result is zero, reset otherwise. C: Set if there is a carry from the MSB of the result, reset otherwise. Set to 1 if no borrow, reset if borrow. V: Set if an arithmetic overflow occurs, reset otherwise.
Mode Bits	OSCOFF, CPUOFF, and GIE are not affected.
Example	Two floating point mantissas (24 bits) are subtracted. LSBs are in R13 and R10, MSBs are in R12 and R9. SUB.W R13,R10 ; 16-bit part, LSBs SUBC.B R12,R9 ; 8-bit part, MSBs
Example	The 16-bit counter pointed to by R13 is subtracted from a 16-bit counter in R10 and R11(MSD). SUB.B @R13+,R10 ; Subtract LSDs without carry SUBC.B @R13,R11 ; Subtract MSDs with carry ... ; resulting from the LSDs

Note: Borrow Implementation

The borrow is treated as a .NOT. carry :	Borrow	Carry bit
	Yes	0
	No	1

SWPB	Swap bytes
Syntax	SWPB dst
Operation	Bits 15 to 8 <-> bits 7 to 0
Description	The destination operand high and low bytes are exchanged as shown in Figure 3-18.
Status Bits	Status bits are not affected.
Mode Bits	OSCOFF, CPUOFF, and GIE are not affected.

Figure 3-18. Destination Operand Byte Swap



Example

```
MOV    #040BFh,R7      ; 0100000010111111 -> R7
SWPB   R7              ; 1011111101000000 in R7
```

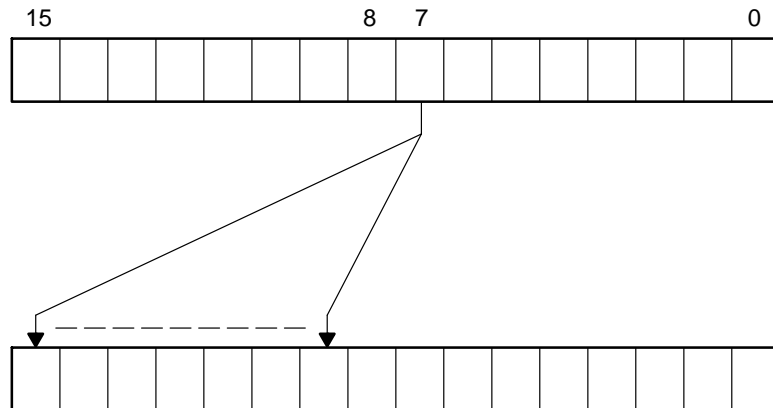
Example

The value in R5 is multiplied by 256. The result is stored in R5,R4.

```
SWPB   R5              ;
MOV    R5,R4          ;Copy the swapped value to R4
BIC    #0FF0h,R5      ;Correct the result
BIC    #00FFh,R4      ;Correct the result
```

SXT	Extend Sign
Syntax	SXT dst
Operation	Bit 7 → Bit 8 Bit 15
Description	The sign of the low byte is extended into the high byte as shown in Figure 3–19.
Status Bits	N: Set if result is negative, reset if positive Z: Set if result is zero, reset otherwise C: Set if result is not zero, reset otherwise (.NOT. Zero) V: Reset
Mode Bits	OSCOFF, CPUOFF, and GIE are not affected.

Figure 3–19. Destination Operand Sign Extension



Example R7 is loaded with the P1IN value. The operation of the sign-extend instruction expands bit 8 to bit 15 with the value of bit 7. R7 is then added to R6.

```
MOV.B  &P1IN,R7    ; P1IN = 080h:    .... 1000 0000
SXT    R7           ; R7 = 0FF80h:   1111 1111 1000 0000
```

* TST[.W]	Test destination
* TST.B	Test destination
Syntax	TST dst or TST.W dst TST.B dst
Operation	dst + 0FFFFh + 1 dst + 0FFh + 1
Emulation	CMP #0,dst CMP.B #0,dst
Description	The destination operand is compared with zero. The status bits are set according to the result. The destination is not affected.
Status Bits	N: Set if destination is negative, reset if positive Z: Set if destination contains zero, reset otherwise C: Set V: Reset
Mode Bits	OSCOFF, CPUOFF, and GIE are not affected.
Example	R7 is tested. If it is negative, continue at R7NEG; if it is positive but not zero, continue at R7POS.
	<pre> TST R7 ; Test R7 JN R7NEG ; R7 is negative JZ R7ZERO ; R7 is zero R7POS ; R7 is positive but not zero R7NEG ; R7 is negative R7ZERO ; R7 is zero </pre>
Example	The low byte of R7 is tested. If it is negative, continue at R7NEG; if it is positive but not zero, continue at R7POS.
	<pre> TST.B R7 ; Test low byte of R7 JN R7NEG ; Low byte of R7 is negative JZ R7ZERO ; Low byte of R7 is zero R7POS ; Low byte of R7 is positive but not zero R7NEG ; Low byte of R7 is negative R7ZERO ; Low byte of R7 is zero </pre>

XOR[.W]	Exclusive OR of source with destination
XOR.B	Exclusive OR of source with destination
Syntax	XOR src,dst or XOR.W src,dst XOR.B src,dst
Operation	src .XOR. dst -> dst
Description	The source and destination operands are exclusive ORed. The result is placed into the destination. The source operand is not affected.
Status Bits	N: Set if result MSB is set, reset if not set Z: Set if result is zero, reset otherwise C: Set if result is not zero, reset otherwise (= .NOT. Zero) V: Set if both operands are negative
Mode Bits	OSCOFF, CPUOFF, and GIE are not affected.
Example	The bits set in R6 toggle the bits in the RAM word TONI. XOR R6,TONI ; Toggle bits of word TONI on the bits set in R6
Example	The bits set in R6 toggle the bits in the RAM byte TONI. XOR.B R6,TONI ; Toggle bits of byte TONI on the bits set in ; low byte of R6
Example	Reset to 0 those bits in low byte of R7 that are different from bits in RAM byte EDE. XOR.B EDE,R7 ; Set different bit to "1s" INV.B R7 ; Invert Lowbyte, Highbyte is 0h

3.4.4 Instruction Cycles and Lengths

The number of CPU clock cycles required for an instruction depends on the instruction format and the addressing modes used - not the instruction itself. The number of clock cycles refers to the MCLK.

Interrupt and Reset Cycles

Table 3–14 lists the CPU cycles for interrupt overhead and reset.

Table 3–14. Interrupt and Reset Cycles

Action	No. of Cycles	Length of Instruction
Return from interrupt (RETI)	5	1
Interrupt accepted	6	–
WDT reset	4	–
Reset (RST/NMI)	4	–

Format-II (Single Operand) Instruction Cycles and Lengths

Table 3–15 lists the length and CPU cycles for all addressing modes of format-II instructions.

Table 3–15. Format-II Instruction Cycles and Lengths

Addressing Mode	No. of Cycles			Length of Instruction	Example
	RRA, RRC SWPB, SXT	PUSH	CALL		
Rn	1	3	4	1	SWPB R5
@Rn	3	4	4	1	RRC @R9
@Rn+	3	5	5	1	SWPB @R10+
#N	(See note)	4	5	2	CALL #0F00h
X(Rn)	4	5	5	2	CALL 2(R7)
EDE	4	5	5	2	PUSH EDE
&EDE	4	5	5	2	SXT &EDE

Note: Instruction Format II Immediate Mode

Do not use instructions RRA, RRC, SWPB, and SXT with the immediate mode in the destination field. Use of these in the immediate mode results in an unpredictable program operation.

Format-III (Jump) Instruction Cycles and Lengths

All jump instructions require one code word, and take two CPU cycles to execute, regardless of whether the jump is taken or not.

Format-I (Double Operand) Instruction Cycles and Lengths

Table 3–16 lists the length and CPU cycles for all addressing modes of format-I instructions.

Table 3–16. Format I Instruction Cycles and Lengths

Addressing Mode		No. of Cycles	Length of Instruction		Example
Src	Dst				
Rn	Rm	1	1	MOV	R5, R8
	PC	2	1	BR	R9
	x(Rm)	4	2	ADD	R5, 4(R6)
	EDE	4	2	XOR	R8, EDE
	&EDE	4	2	MOV	R5, &EDE
@Rn	Rm	2	1	AND	@R4, R5
	PC	2	1	BR	@R8
	x(Rm)	5	2	XOR	@R5, 8(R6)
	EDE	5	2	MOV	@R5, EDE
	&EDE	5	2	XOR	@R5, &EDE
@Rn+	Rm	2	1	ADD	@R5+, R6
	PC	3	1	BR	@R9+
	x(Rm)	5	2	XOR	@R5, 8(R6)
	EDE	5	2	MOV	@R9+, EDE
	&EDE	5	2	MOV	@R9+, &EDE
#N	Rm	2	2	MOV	#20, R9
	PC	3	2	BR	#2AEh
	x(Rm)	5	3	MOV	#0300h, 0(SP)
	EDE	5	3	ADD	#33, EDE
	&EDE	5	3	ADD	#33, &EDE
x(Rn)	Rm	3	2	MOV	2(R5), R7
	PC	3	2	BR	2(R6)
	TONI	6	3	MOV	4(R7), TONI
	x(Rm)	6	3	ADD	4(R4), 6(R9)
	&TONI	6	3	MOV	2(R4), &TONI
EDE	Rm	3	2	AND	EDE, R6
	PC	3	2	BR	EDE
	TONI	6	3	CMP	EDE, TONI
	x(Rm)	6	3	MOV	EDE, 0(SP)
	&TONI	6	3	MOV	EDE, &TONI
&EDE	Rm	3	2	MOV	&EDE, R8
	PC	3	2	BRA	&EDE
	TONI	6	3	MOV	&EDE, TONI
	x(Rm)	6	3	MOV	&EDE, 0(SP)
	&TONI	6	3	MOV	&EDE, &TONI

3.4.5 Instruction Set Description

The instruction map is shown in Figure 3–20 and the complete instruction set is summarized in Table 3–17.

Figure 3–20. Core Instruction Map

	000	040	080	0C0	100	140	180	1C0	200	240	280	2C0	300	340	380	3C0
0xxx																
4xxx																
8xxx																
Cxxx																
1xxx	RRC	RRC.B	SWPB		RRA	RRA.B	SXT		PUSH	PUSH.B	CALL		RETI			
14xx																
18xx																
1Cxx																
20xx	JNE/JNZ															
24xx	JEQ/JZ															
28xx	JNC															
2Cxx	JC															
30xx	JN															
34xx	JGE															
38xx	JL															
3Cxx	JMP															
4xxx	MOV, MOV.B															
5xxx	ADD, ADD.B															
6xxx	ADDC, ADDC.B															
7xxx	SUBC, SUBC.B															
8xxx	SUB, SUB.B															
9xxx	CMP, CMP.B															
Axxx	DADD, DADD.B															
Bxxx	BIT, BIT.B															
Cxxx	BIC, BIC.B															
Dxxx	BIS, BIS.B															
Exxx	XOR, XOR.B															
Fxxx	AND, AND.B															

Table 3–17. MSP430 Instruction Set

Mnemonic		Description		V	N	Z	C
ADC(.B)†	dst	Add C to destination	dst + C → dst	*	*	*	*
ADD(.B)	src, dst	Add source to destination	src + dst → dst	*	*	*	*
ADDC(.B)	src, dst	Add source and C to destination	src + dst + C → dst	*	*	*	*
AND(.B)	src, dst	AND source and destination	src .and. dst → dst	0	*	*	*
BIC(.B)	src, dst	Clear bits in destination	.not.src .and. dst → dst	–	–	–	–
BIS(.B)	src, dst	Set bits in destination	src .or. dst → dst	–	–	–	–
BIT(.B)	src, dst	Test bits in destination	src .and. dst	0	*	*	*
BR†	dst	Branch to destination	dst → PC	–	–	–	–
CALL	dst	Call destination	PC+2 → stack, dst → PC	–	–	–	–
CLR(.B)†	dst	Clear destination	0 → dst	–	–	–	–
CLRC†		Clear C	0 → C	–	–	–	0
CLRN†		Clear N	0 → N	–	0	–	–
CLRZ†		Clear Z	0 → Z	–	–	0	–
CMP(.B)	src, dst	Compare source and destination	dst – src	*	*	*	*
DADC(.B)†	dst	Add C decimally to destination	dst + C → dst (decimally)	*	*	*	*
DADD(.B)	src, dst	Add source and C decimally to dst.	src + dst + C → dst (decimally)	*	*	*	*
DEC(.B)†	dst	Decrement destination	dst – 1 → dst	*	*	*	*
DECD(.B)†	dst	Double-decrement destination	dst – 2 → dst	*	*	*	*
DINT†		Disable interrupts	0 → GIE	–	–	–	–
EINT†		Enable interrupts	1 → GIE	–	–	–	–
INC(.B)†	dst	Increment destination	dst + 1 → dst	*	*	*	*
INCD(.B)†	dst	Double-increment destination	dst + 2 → dst	*	*	*	*
INV(.B)†	dst	Invert destination	.not.dst → dst	*	*	*	*
JC/JHS	label	Jump if C set/Jump if higher or same		–	–	–	–
JEQ/JZ	label	Jump if equal/Jump if Z set		–	–	–	–
JGE	label	Jump if greater or equal		–	–	–	–
JL	label	Jump if less		–	–	–	–
JMP	label	Jump	PC + 2 x offset → PC	–	–	–	–
JN	label	Jump if N set		–	–	–	–
JNC/JLO	label	Jump if C not set/Jump if lower		–	–	–	–
JNE/JNZ	label	Jump if not equal/Jump if Z not set		–	–	–	–
MOV(.B)	src, dst	Move source to destination	src → dst	–	–	–	–
NOP†		No operation		–	–	–	–
POP(.B)†	dst	Pop item from stack to destination	@SP → dst, SP+2 → SP	–	–	–	–
PUSH(.B)	src	Push source onto stack	SP – 2 → SP, src → @SP	–	–	–	–
RET†		Return from subroutine	@SP → PC, SP + 2 → SP	–	–	–	–
RETI		Return from interrupt		*	*	*	*
RLA(.B)†	dst	Rotate left arithmetically		*	*	*	*
RLC(.B)†	dst	Rotate left through C		*	*	*	*
RRA(.B)	dst	Rotate right arithmetically		0	*	*	*
RRC(.B)	dst	Rotate right through C		*	*	*	*
SBC(.B)†	dst	Subtract not(C) from destination	dst + 0FFFFh + C → dst	*	*	*	*
SETC†		Set C	1 → C	–	–	–	1
SETN†		Set N	1 → N	–	1	–	–
SETZ†		Set Z	1 → C	–	–	1	–
SUB(.B)	src, dst	Subtract source from destination	dst + .not.src + 1 → dst	*	*	*	*
SUBC(.B)	src, dst	Subtract source and not(C) from dst.	dst + .not.src + C → dst	*	*	*	*
SWPB	dst	Swap bytes		–	–	–	–
SXT	dst	Extend sign		0	*	*	*
TST(.B)†	dst	Test destination	dst + 0FFFFh + 1	0	*	*	1
XOR(.B)	src, dst	Exclusive OR source and destination	src .xor. dst → dst	*	*	*	*

† Emulated Instruction



16-Bit MSP430X CPU

This chapter describes the extended MSP430X 16-bit RISC CPU with 1-MB memory access, its addressing modes, and instruction set. The MSP430X CPU is implemented in all MSP430 devices that exceed 64-KB of address space.

Topic	Page
4.1 CPU Introduction	4-2
4.2 Interrupts	4-4
4.3 CPU Registers	4-5
4.4 Addressing Modes	4-15
4.5 MSP430 and MSP430X Instructions	4-36
4.6 Instruction Set Description	4-58

4.1 CPU Introduction

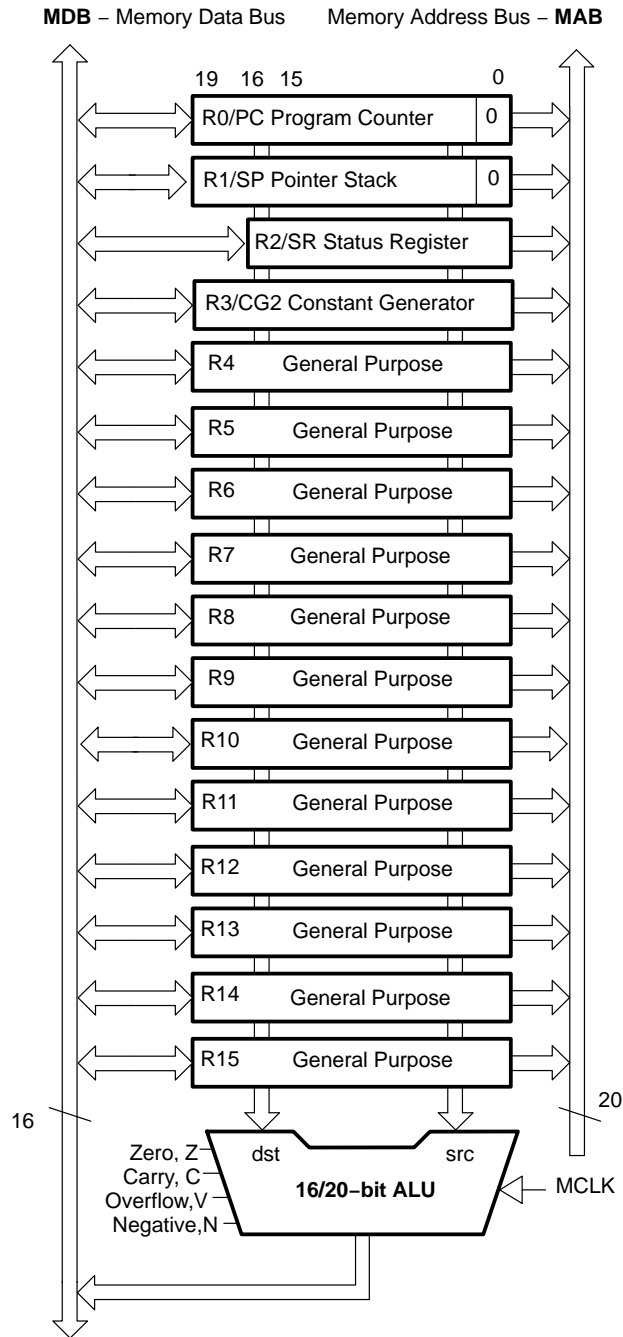
The MSP430X CPU incorporates features specifically designed for modern programming techniques such as calculated branching, table processing and the use of high-level languages such as C. The MSP430X CPU can address a 1-MB address range without paging. In addition, the MSP430X CPU has fewer interrupt overhead cycles and fewer instruction cycles in some cases than the MSP430 CPU, while maintaining the same or better code density than the MSP430 CPU. The MSP430X CPU is completely backwards compatible with the MSP430 CPU.

The MSP430X CPU features include:

- RISC architecture.
- Orthogonal architecture.
- Full register access including program counter, status register and stack pointer.
- Single-cycle register operations.
- Large register file reduces fetches to memory.
- 20-bit address bus allows direct access and branching throughout the entire memory range without paging.
- 16-bit data bus allows direct manipulation of word-wide arguments.
- Constant generator provides the six most often used immediate values and reduces code size.
- Direct memory-to-memory transfers without intermediate register holding.
- Byte, word, and 20-bit address-word addressing

The block diagram of the MSP430X CPU is shown in Figure 4–1.

Figure 4-1. MSP430X CPU Block Diagram



4.2 Interrupts

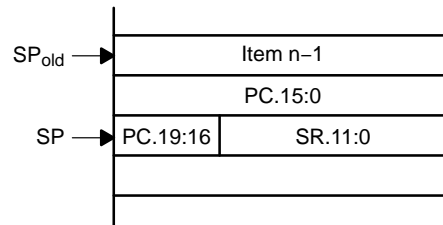
The MSP430X uses the same interrupt structure as the MSP430:

- Vectored interrupts with no polling necessary
- Interrupt vectors are located downward from address 0FFFEh

Interrupt operation for both MSP430 and MSP430X CPUs is described in *Chapter 2 System Resets, Interrupts, and Operating modes, Section 2 Interrupts*. The interrupt vectors contain 16-bit addresses that point into the lower 64-KB memory. This means all interrupt handlers must start in the lower 64-KB memory – even in MSP430X devices.

During an interrupt, the program counter and the status register are pushed onto the stack as shown in Figure 4–2. The MSP430X architecture efficiently stores the complete 20-bit PC value by automatically appending the PC bits 19:16 to the stored SR value on the stack. When the `RETI` instruction is executed, the full 20-bit PC is restored making return from interrupt to any address in the memory range possible.

Figure 4–2. Program Counter Storage on the Stack for Interrupts



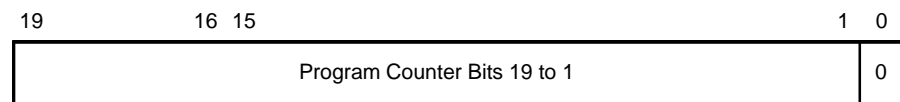
4.3 CPU Registers

The CPU incorporates sixteen registers R0 to R15. Registers R0, R1, R2, and R3 have dedicated functions. R4 to R15 are working registers for general use.

4.3.1 The Program Counter PC

The 20-bit program counter (PC/R0) points to the next instruction to be executed. Each instruction uses an even number of bytes (two, four, six or eight bytes), and the PC is incremented accordingly. Instruction accesses are performed on word boundaries, and the PC is aligned to even addresses. Figure 4–3 shows the program counter.

Figure 4–3. Program Counter PC



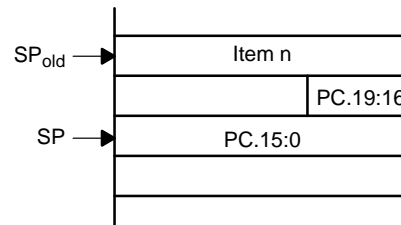
The PC can be addressed with all instructions and addressing modes. A few examples:

```
MOV.W #LABEL,PC ; Branch to address LABEL (lower 64 KB)
MOVA  #LABEL,PC ; Branch to address LABEL (1MB memory)
MOV.W LABEL,PC  ; Branch to address in word LABEL
                ; (lower 64 KB)
MOV.W @R14,PC   ; Branch indirect to address in
                ; R14 (lower 64 KB)
ADDA  #4,PC     ; Skip two words (1 MB memory)
```

The BR and CALL instructions reset the upper four PC bits to 0. Only addresses in the lower 64-KB address range can be reached with the BR or CALL instruction. When branching or calling, addresses beyond the lower 64-KB range can only be reached using the BRA or CALLA instructions. Also, any instruction to directly modify the PC does so according to the used addressing mode. For example, MOV.W #value,PC will clear the upper four bits of the PC because it is a .w instruction.

The program counter is automatically stored on the stack with CALL, or CALLA instructions, and during an interrupt service routine. Figure 4–4 shows the storage of the program counter with the return address after a CALLA instruction. A CALL instruction stores only bits 15:0 of the PC.

Figure 4–4. Program Counter Storage on the Stack for CALLA



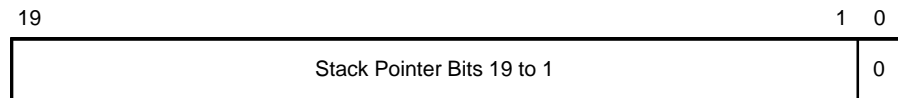
The RETA instruction restores bits 19:0 of the program counter and adds 4 to the stack pointer. The RET instruction restores bits 15:0 to the program counter and adds 2 to the stack pointer.

4.3.2 Stack Pointer (SP)

The 20-bit stack pointer (SP/R1) is used by the CPU to store the return addresses of subroutine calls and interrupts. It uses a predecrement, postincrement scheme. In addition, the SP can be used by software with all instructions and addressing modes. Figure 4-5 shows the SP. The SP is initialized into RAM by the user, and is always aligned to even addresses.

Figure 4-6 shows the stack usage. Figure 4-7 shows the stack usage when 20-bit address-words are pushed.

Figure 4-5. Stack Pointer



```

MOV.W 2(SP),R6      ; Copy Item I2 to R6
MOV.W R7,0(SP)     ; Overwrite TOS with R7
PUSH #0123h        ; Put 0123h on stack
POP R8             ; R8 = 0123h
    
```

Figure 4-6. Stack Usage

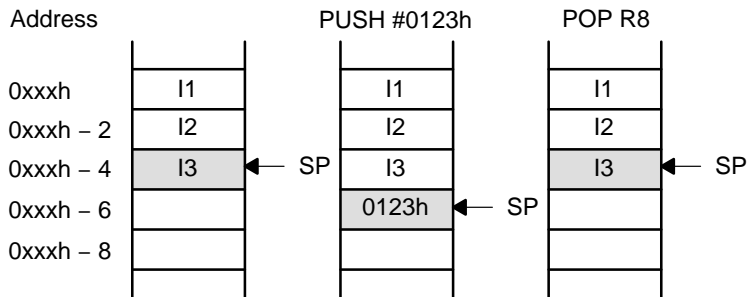
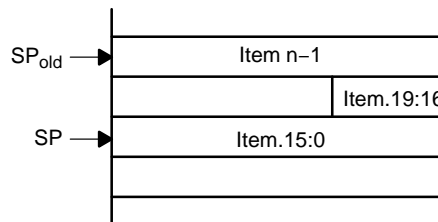
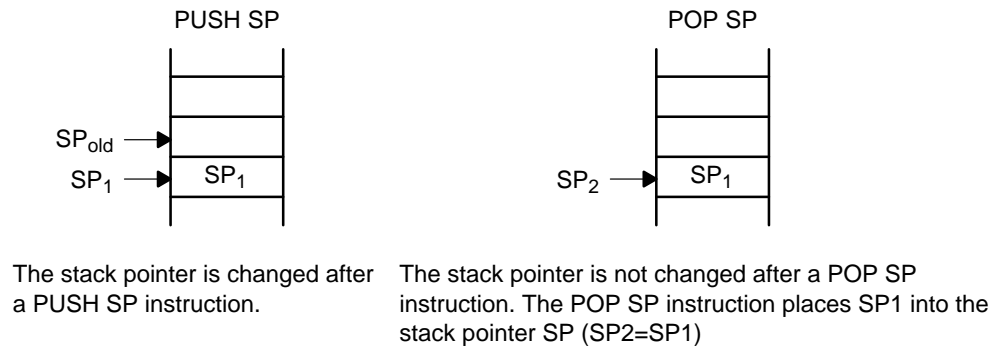


Figure 4-7. PUSHX.A Format on the Stack



The special cases of using the SP as an argument to the PUSH and POP instructions are described and shown in Figure 4-8.

Figure 4-8. PUSH SP - POP SP Sequence



4.3.3 Status Register (SR)

The 16-bit status register (SR/R2), used as a source or destination register, can only be used in register mode addressed with word instructions. The remaining combinations of addressing modes are used to support the constant generator. Figure 4–9 shows the SR bits. Do not write 20-bit values to the SR. Unpredictable operation can result.

Figure 4–9. Status Register Bits

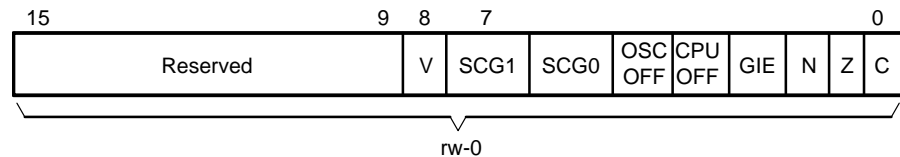


Table 4–1 describes the status register bits.

Table 4–1. Description of Status Register Bits

Bit	Description
Reserved	Reserved
V	<p>Overflow bit. This bit is set when the result of an arithmetic operation overflows the signed-variable range.</p> <p>ADD(.B), ADDX(.B, .A), ADDC(.B), ADDCX(.B.A), ADDA</p> <p>Set when: positive + positive = negative negative + negative = positive otherwise reset</p> <p>SUB(.B), SUBX(.B, .A), SUBC(.B), SUBCX(.B, .A), SUBA, CMP(.B), CMPX(.B, .A), CMPA</p> <p>Set when: positive – negative = negative negative – positive = positive otherwise reset</p>
SCG1	System clock generator 1. This bit, when set, turns off the DCO dc generator if DCOCLK is not used for MCLK or SMCLK.
SCG0	System clock generator 0. This bit, when set, turns off the FLL+ loop control.
OSCOFF	Oscillator Off. This bit, when set, turns off the LFXT1 crystal oscillator when LFXT1CLK is not used for MCLK or SMCLK.
CPUOFF	CPU off. This bit, when set, turns off the CPU.
GIE	General interrupt enable. This bit, when set, enables maskable interrupts. When reset, all maskable interrupts are disabled.
N	Negative bit. This bit is set when the result of an operation is negative and cleared when the result is positive.

Bit	Description
Z	Zero bit. This bit is set when the result of an operation is zero and cleared when the result is not zero.
C	Carry bit. This bit is set when the result of an operation produced a carry and cleared when no carry occurred.

4.3.4 The Constant Generator Registers CG1 and CG2

Six commonly used constants are generated with the constant generator registers R2 (CG1) and R3 (CG2), without requiring an additional 16-bit word of program code. The constants are selected with the source register addressing modes (As), as described in Table 4–2.

Table 4–2. Values of Constant Generators CG1, CG2

Register	As	Constant	Remarks
R2	00	-	Register mode
R2	01	(0)	Absolute address mode
R2	10	00004h	+4, bit processing
R2	11	00008h	+8, bit processing
R3	00	00000h	0, word processing
R3	01	00001h	+1
R3	10	00002h	+2, bit processing
R3	11	FFh, FFFFh, FFFFFh	-1, word processing

The constant generator advantages are:

- No special instructions required
- No additional code word for the six constants
- No code memory access required to retrieve the constant

The assembler uses the constant generator automatically if one of the six constants is used as an immediate source operand. Registers R2 and R3, used in the constant mode, cannot be addressed explicitly; they act as source-only registers.

Constant Generator – Expanded Instruction Set

The RISC instruction set of the MSP430 has only 27 instructions. However, the constant generator allows the MSP430 assembler to support 24 additional, emulated instructions. For example, the single-operand instruction:

```
CLR          dst
```

is emulated by the double-operand instruction with the same length:

```
MOV          R3, dst
```

where the #0 is replaced by the assembler, and R3 is used with As=00.

```
INC          dst
```

is replaced by:

```
ADD          0(R3), dst
```

4.3.5 The General Purpose Registers R4 to R15

The twelve CPU registers R4 to R15, contain 8-bit, 16-bit, or 20-bit values. Any byte-write to a CPU register clears bits 19:8. Any word-write to a register clears bits 19:16. The only exception is the SXT instruction. The SXT instruction extends the sign through the complete 20-bit register.

The following figures show the handling of byte, word and address-word data. Note the reset of the leading MSBs, if a register is the destination of a byte or word instruction.

Figure 4–10 shows byte handling (8-bit data, .B suffix). The handling is shown for a source register and a destination memory byte and for a source memory byte and a destination register.

Figure 4–10. Register-Byte/Byte-Register Operation

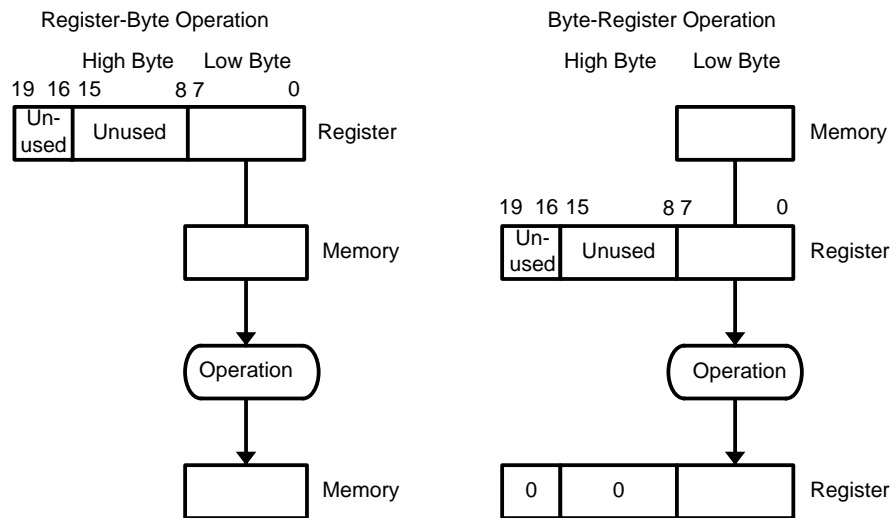


Figure 4–11 and Figure 4–12 show 16-bit word handling (.W suffix). The handling is shown for a source register and a destination memory word and for a source memory word and a destination register.

Figure 4–11. Register-Word Operation

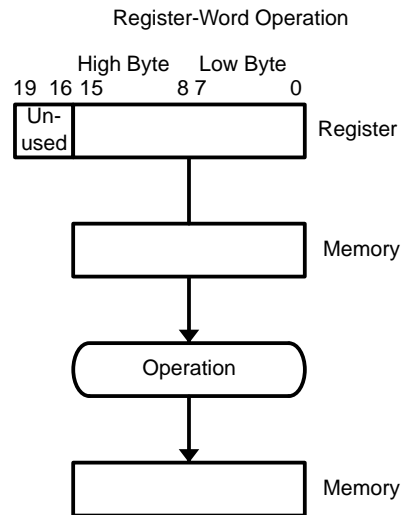


Figure 4–12. Word-Register Operation

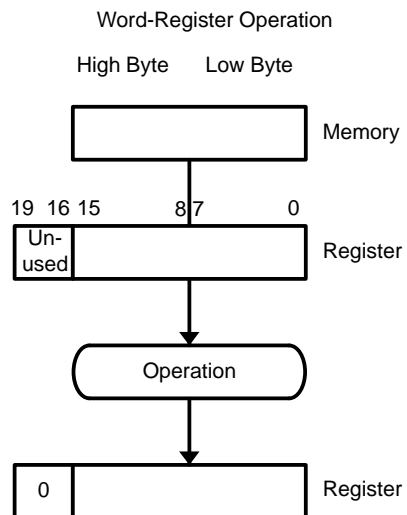


Figure 4–13 and Figure 4–14 show 20-bit address-word handling (.A suffix). The handling is shown for a source register and a destination memory address register and for a source memory address-word and a destination register.

Figure 4–13. Register – Address-Word Operation

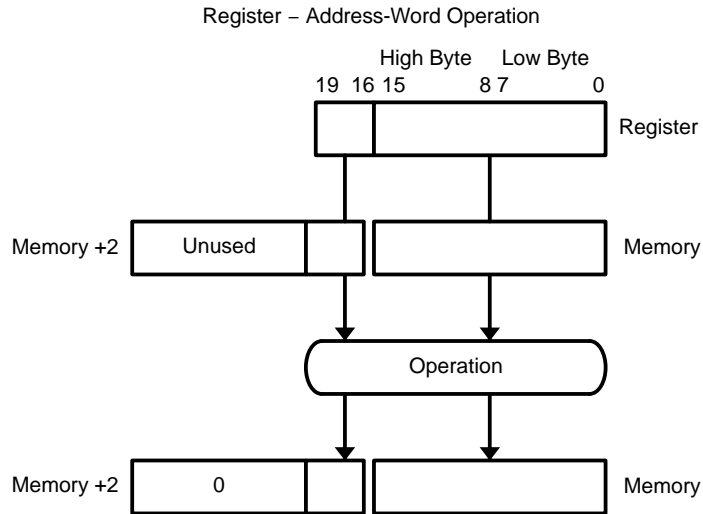
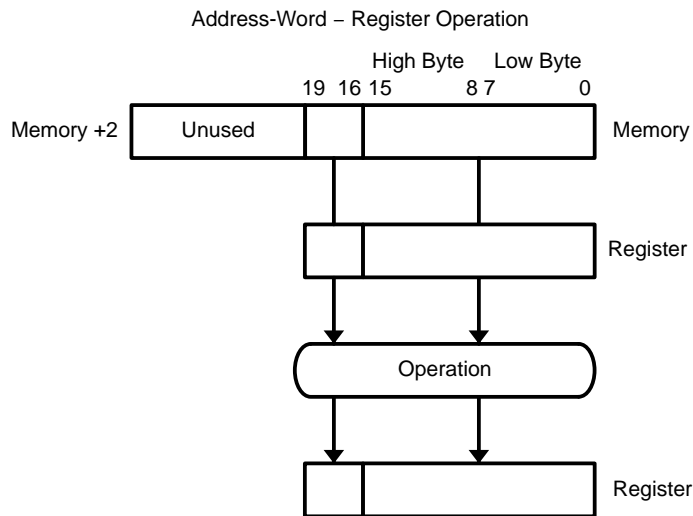


Figure 4–14. Address-Word – Register Operation



4.4 Addressing Modes

Seven addressing modes for the source operand and four addressing modes for the destination operand use 16-bit or 20-bit addresses. The MSP430 and MSP430X instructions are usable throughout the entire 1-MB memory range.

Table 4–3. Source/Destination Addressing

As/Ad	Addressing Mode	Syntax	Description
00/0	Register mode	Rn	Register contents are operand
01/1	Indexed mode	X(Rn)	(Rn + X) points to the operand. X is stored in the next word, or stored in combination of the preceding extension word and the next word.
01/1	Symbolic mode	ADDR	(PC + X) points to the operand. X is stored in the next word, or stored in combination of the preceding extension word and the next word. Indexed mode X(PC) is used.
01/1	Absolute mode	&ADDR	The word following the instruction contains the absolute address. X is stored in the next word, or stored in combination of the preceding extension word and the next word. Indexed mode X(SR) is used.
10/–	Indirect register mode	@Rn	Rn is used as a pointer to the operand.
11/–	Indirect autoincrement	@Rn+	Rn is used as a pointer to the operand. Rn is incremented afterwards by 1 for .B instructions, by 2 for .W instructions, and by 4 for .A instructions.
11/–	Immediate mode	#N	N is stored in the next word, or stored in combination of the preceding extension word and the next word. Indirect autoincrement mode @PC+ is used.

The seven addressing modes are explained in detail in the following sections. Most of the examples show the same addressing mode for the source and destination, but any valid combination of source and destination addressing modes is possible in an instruction.

Note: Use of Labels *EDE*, *TONI*, *TOM*, and *LEO*

Throughout MSP430 documentation *EDE*, *TONI*, *TOM*, and *LEO* are used as generic labels. They are only labels. They have no special meaning.

4.4.1 Register Mode

Operation: The operand is the 8-, 16-, or 20-bit content of the used CPU register.

Length: One, two, or three words

Comment: Valid for source and destination

Byte operation: Byte operation reads only the 8 LSBs of the source register Rsrc and writes the result to the 8 LSBs of the destination register Rdst. The bits Rdst.19:8 are cleared. The register Rsrc is not modified.

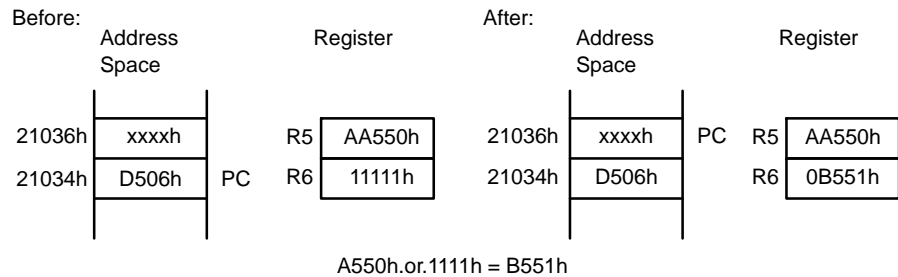
Word operation: Word operation reads the 16 LSBs of the source register Rsrc and writes the result to the 16 LSBs of the destination register Rdst. The bits Rdst.19:16 are cleared. The register Rsrc is not modified.

Address-Word operation: Address-word operation reads the 20 bits of the source register Rsrc and writes the result to the 20 bits of the destination register Rdst. The register Rsrc is not modified.

SXT Exception: The SXT instruction is the only exception for register operation. The sign of the low byte in bit 7 is extended to the bits Rdst.19:8.

Example: `BIS.W R5,R6 ;`

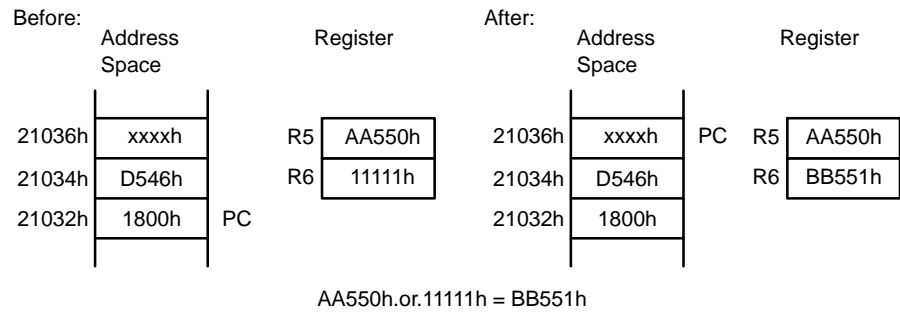
This instruction logically ORs the 16-bit data contained in R5 with the 16-bit contents of R6. R6.19:16 is cleared.



Example: `BISX.A R5,R6 ;`

This instruction logically ORs the 20-bit data contained in R5 with the 20-bit contents of R6.

The extension word contains the A/L-bit for 20-bit data. The instruction word uses byte mode with bits A/L:B/W = 01. The result of the instruction is:



4.4.2 Indexed Mode

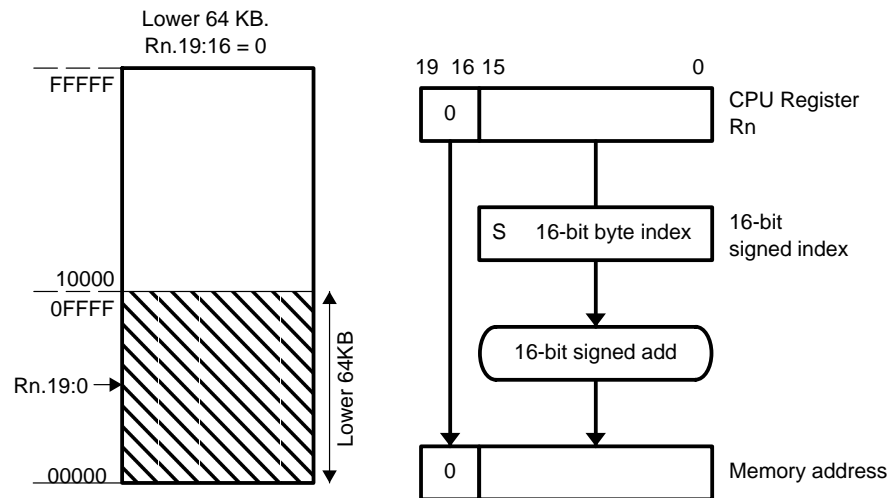
The Indexed mode calculates the address of the operand by adding the signed index to a CPU register. The Indexed mode has three addressing possibilities:

- Indexed mode in lower 64-KB memory
- MSP430 instruction with Indexed mode addressing memory above the lower 64-KB memory.
- MSP430X instruction with Indexed mode

Indexed Mode in Lower 64 KB Memory

If the CPU register R_n points to an address in the lower 64 KB of the memory range, the calculated memory address bits 19:16 are cleared after the addition of the CPU register R_n and the signed 16-bit index. This means, the calculated memory address is always located in the lower 64 KB and does not overflow or underflow out of the lower 64-KB memory space. The RAM and the peripheral registers can be accessed this way and existing MSP430 software is usable without modifications as shown in Figure 4–15.

Figure 4–15. Indexed Mode in Lower 64 KB



Length: Two or three words

Operation: The signed 16-bit index is located in the next word after the instruction and is added to the CPU register R_n . The resulting bits 19:16 are cleared giving a truncated 16-bit memory address, which points to an operand address in the range 00000h to 0FFFFh. The operand is the content of the addressed memory location.

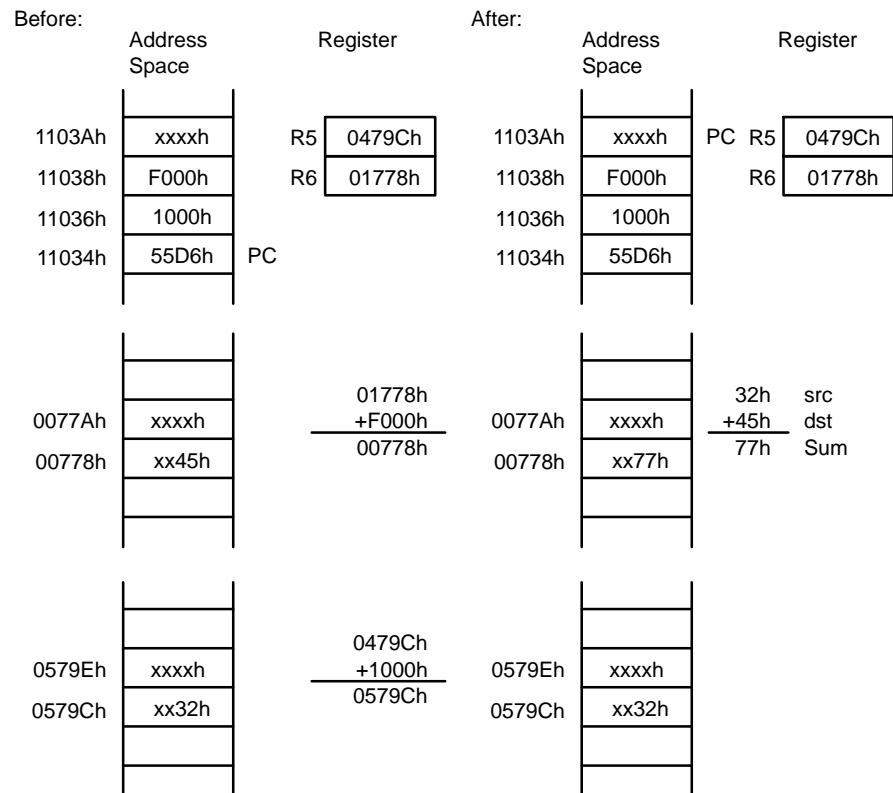
Comment: Valid for source and destination. The assembler calculates the register index and inserts it.

Example: `ADD.B 1000h(R5), 0F000h(R6);`

The previous instruction adds the 8-bit data contained in source byte 1000h(R5) and the destination byte 0F000h(R6) and places the result into the destination byte. Source and destination bytes are both located in the lower 64 KB due to the cleared bits 19:16 of registers R5 and R6.

Source: The byte pointed to by R5 + 1000h results in address 0479Ch + 1000h = 0579Ch after truncation to a 16-bit address.

Destination: The byte pointed to by R6 + F000h results in address 01778h + F000h = 00778h after truncation to a 16-bit address.



MSP430 Instruction with Indexed Mode in Upper Memory

If the CPU register R_n points to an address above the lower 64-KB memory, the R_n bits 19:16 are used for the address calculation of the operand. The operand may be located in memory in the range $R_n \pm 32$ KB, because the index, X , is a signed 16-bit value. In this case, the address of the operand can overflow or underflow into the lower 64-KB memory space. See Figure 4–16 and Figure 4–17.

Figure 4–16. Indexed Mode in Upper Memory

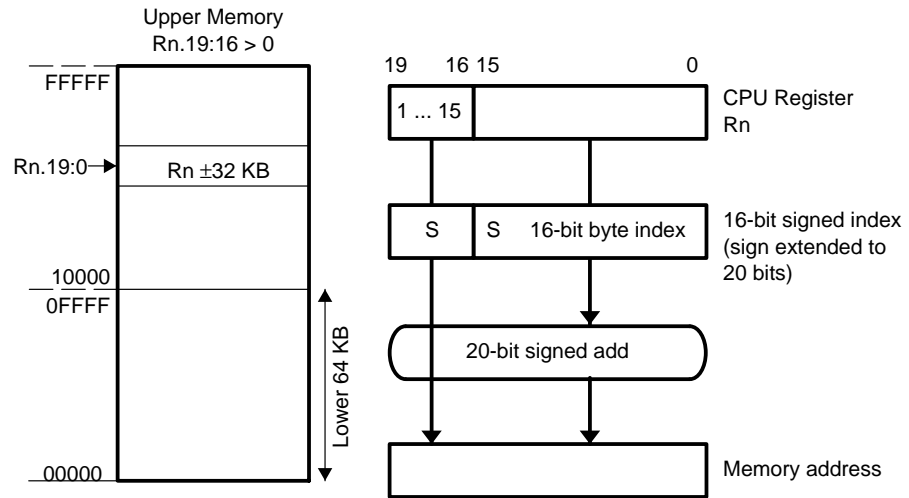
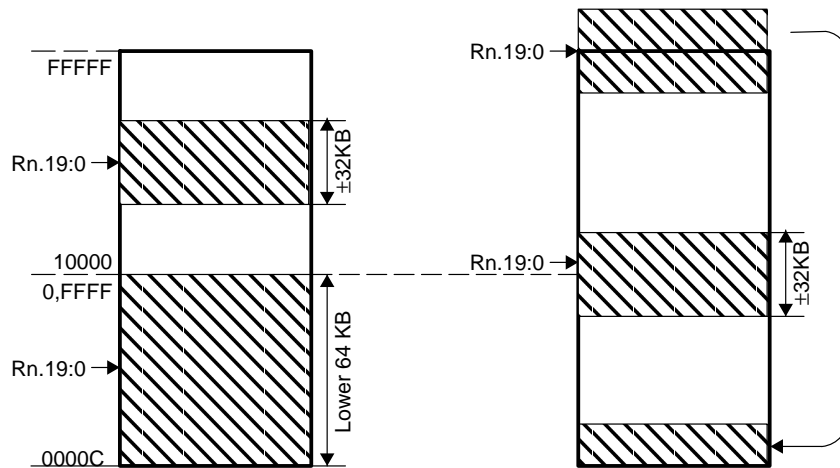


Figure 4–17. Overflow and Underflow for the Indexed Mode



Length: Two or three words

Operation: The sign-extended 16-bit index in the next word after the instruction is added to the 20 bits of the CPU register Rn. This delivers a 20-bit address, which points to an address in the range 0 to FFFFh. The operand is the content of the addressed memory location.

Comment: Valid for source and destination. The assembler calculates the register index and inserts it.

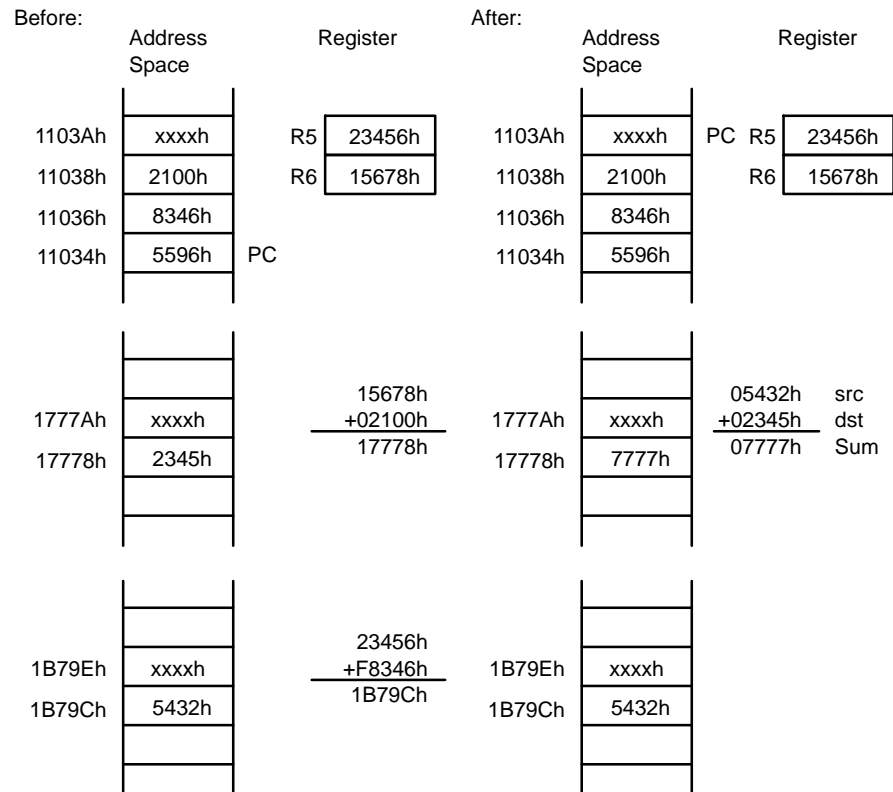
Example: `ADD.W 8346h(R5), 2100h(R6);`

This instruction adds the 16-bit data contained in the source and the destination addresses and places the 16-bit result into the destination. Source and destination operand can be located in the entire address range.

Source: The word pointed to by R5 + 8346h. The negative index 8346h is sign-extended, which results in address 23456h + F8346h = 1B79Ch.

Destination: The word pointed to by R6 + 2100h results in address 15678h + 2100h = 17778h.

Figure 4–18. Example for the Indexed Mode



MSP430X Instruction with Indexed Mode

When using an MSP430X instruction with Indexed mode, the operand can be located anywhere in the range of $R_n \pm 19$ bits.

Length: Three or four words

Operation: The operand address is the sum of the 20-bit CPU register content and the 20-bit index. The four MSBs of the index are contained in the extension word, the 16 LSBs are contained in the word following the instruction. The CPU register is not modified.

Comment: Valid for source and destination. The assembler calculates the register index and inserts it.

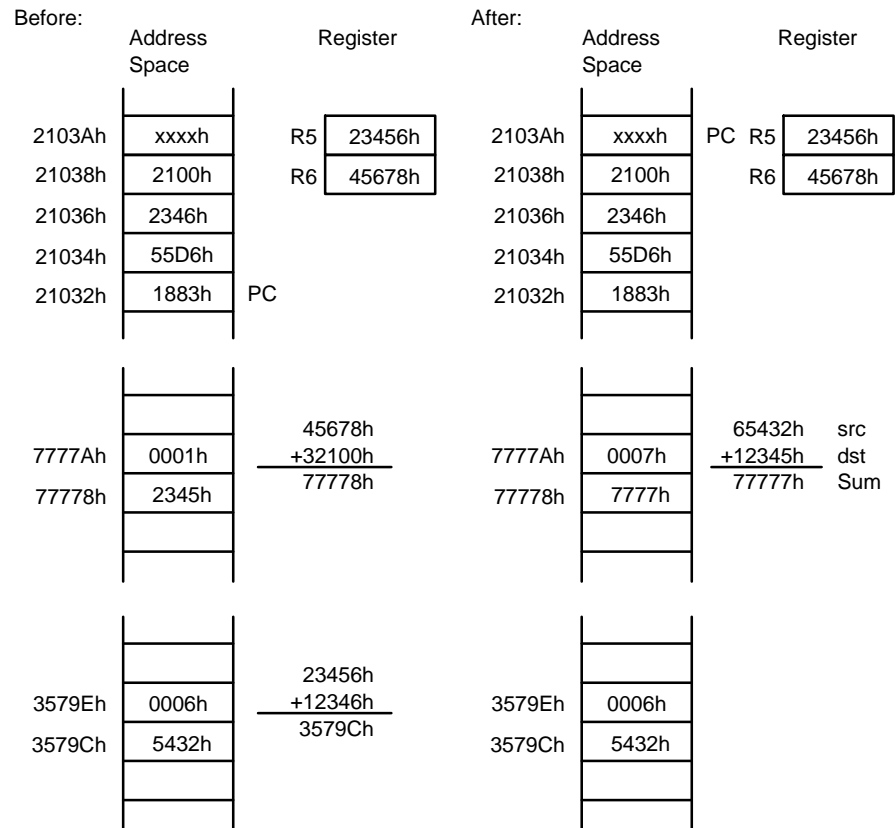
Example: `ADDX.A 12346h(R5),32100h(R6) ;`

This instruction adds the 20-bit data contained in the source and the destination addresses and places the result into the destination.

Source: Two words pointed to by $R5 + 12346h$ which results in address $23456h + 12346h = 3579Ch$.

Destination: Two words pointed to by $R6 + 32100h$ which results in address $45678h + 32100h = 77778h$.

The extension word contains the MSBs of the source index and of the destination index and the A/L-bit for 20-bit data. The instruction word uses byte mode due to the 20-bit data length with bits A/L:B/W = 01.



4.4.3 Symbolic Mode

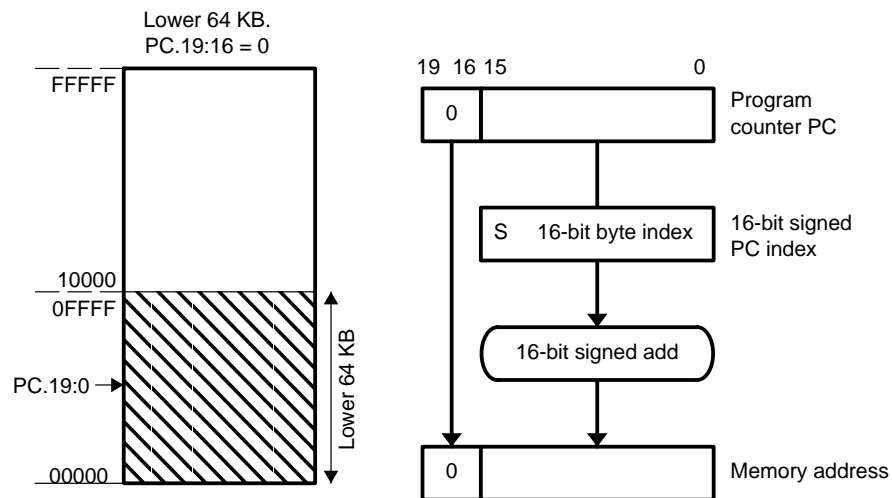
The Symbolic mode calculates the address of the operand by adding the signed index to the program counter. The Symbolic mode has three addressing possibilities:

- Symbolic mode in lower 64-KB memory
- MSP430 instruction with symbolic mode addressing memory above the lower 64-KB memory.
- MSP430X instruction with symbolic mode

Symbolic Mode in Lower 64 KB

If the PC points to an address in the lower 64 KB of the memory range, the calculated memory address bits 19:16 are cleared after the addition of the PC and the signed 16-bit index. This means, the calculated memory address is always located in the lower 64 KB and does not overflow or underflow out of the lower 64-KB memory space. The RAM and the peripheral registers can be accessed this way and existing MSP430 software is usable without modifications as shown in Figure 4–15.

Figure 4–19. Symbolic Mode Running in Lower 64 KB



Operation: The signed 16-bit index in the next word after the instruction is added temporarily to the PC. The resulting bits 19:16 are cleared giving a truncated 16-bit memory address, which points to an operand address in the range 00000h, to 0FFFFh. The operand is the content of the addressed memory location.

Length: Two or three words

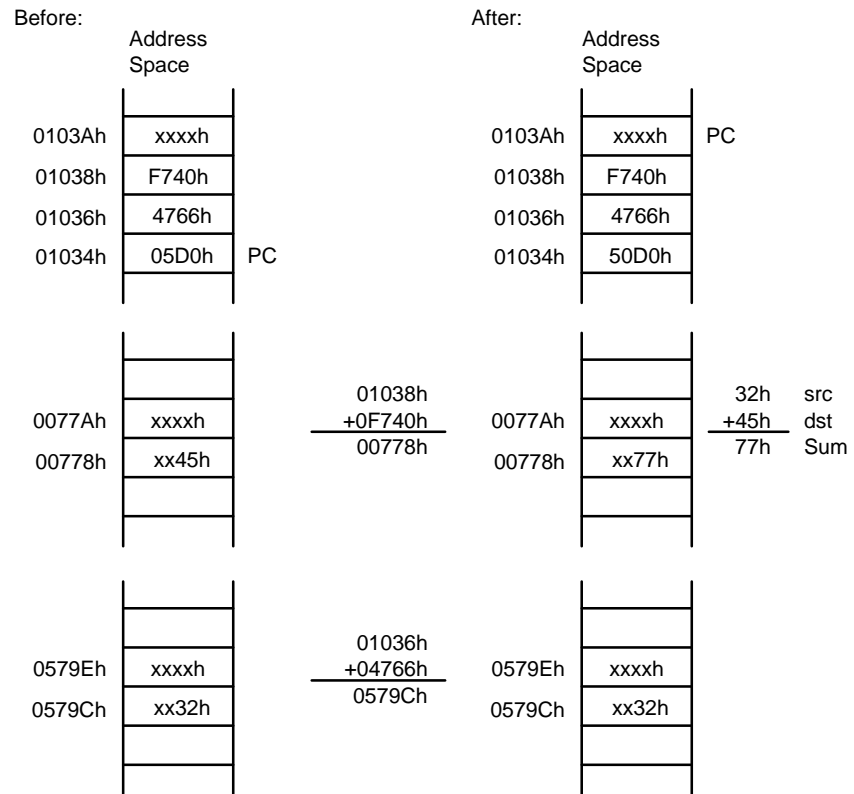
Comment: Valid for source and destination. The assembler calculates the PC index and inserts it.

Example: `ADD.B EDE, TONI ;`

The previous instruction adds the 8-bit data contained in source byte EDE and destination byte TONI and places the result into the destination byte TONI. Bytes EDE and TONI and the program are located in the lower 64 KB.

Source: Byte EDE located at address 0,579Ch, pointed to by PC + 4766h where the PC index 4766h is the result of 0579Ch – 01036h = 04766h. Address 01036h is the location of the index for this example.

Destination: Byte TONI located at address 00778h, pointed to by PC + F740h, is the truncated 16-bit result of 00778h – 1038h = FF740h. Address 01038h is the location of the index for this example.



MSP430 Instruction with Symbolic Mode in Upper Memory

If the PC points to an address above the lower 64-KB memory, the PC bits 19:16 are used for the address calculation of the operand. The operand may be located in memory in the range PC \pm 32 KB, because the index, X, is a signed 16-bit value. In this case, the address of the operand can overflow or underflow into the lower 64-KB memory space as shown in Figure 4–20 and Figure 4–21.

Figure 4–20. Symbolic Mode Running in Upper Memory

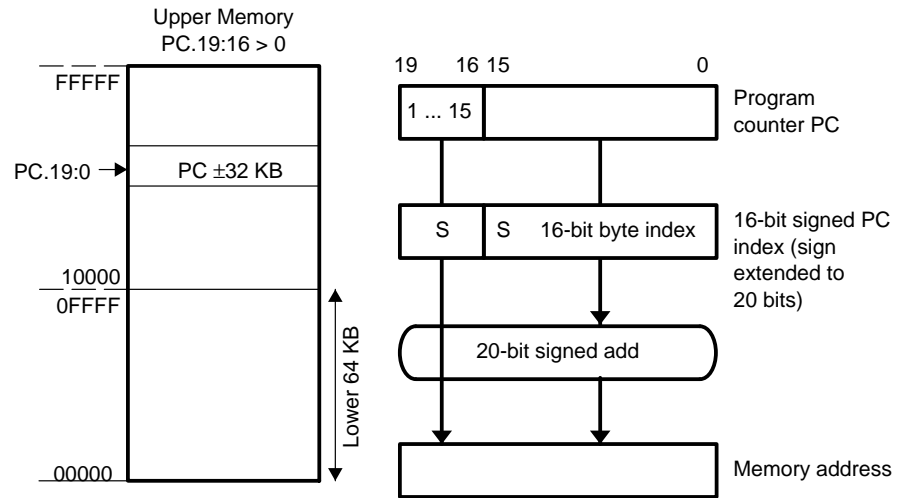
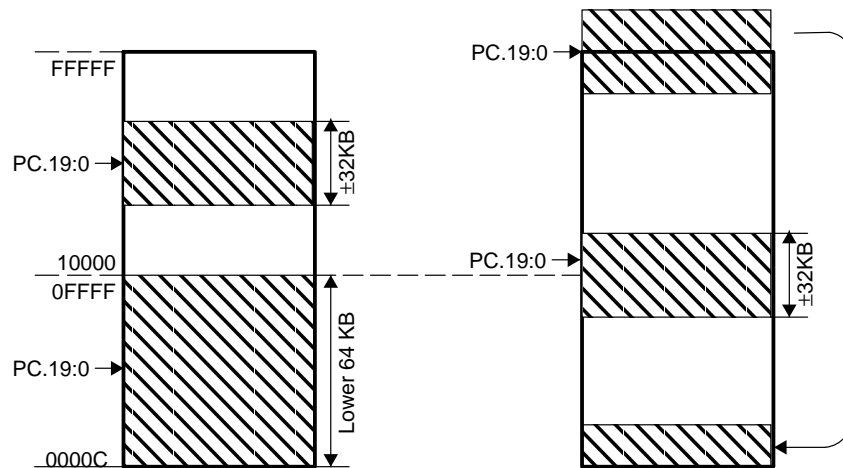


Figure 4–21. Overflow and Underflow for the Symbolic Mode

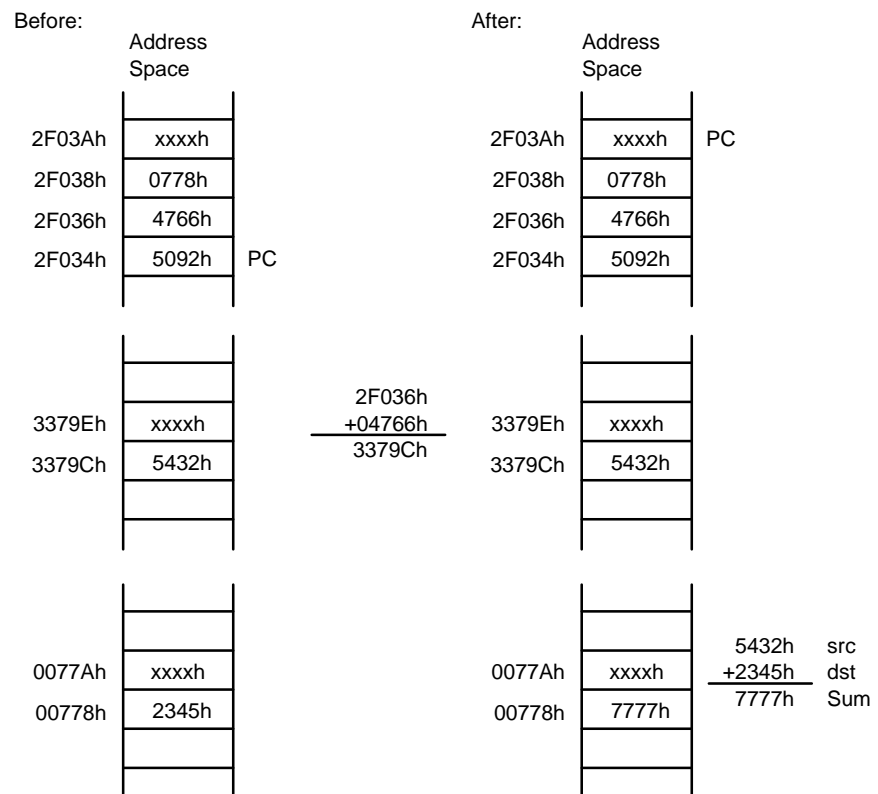


- Length: Two or three words
- Operation: The sign-extended 16-bit index in the next word after the instruction is added to the 20 bits of the PC. This delivers a 20-bit address, which points to an address in the range 0 to FFFFh. The operand is the content of the addressed memory location.
- Comment: Valid for source and destination. The assembler calculates the PC index and inserts it
- Example: `ADD.W EDE, &TONI ;`

This instruction adds the 16-bit data contained in source word EDE and destination word TONI and places the 16-bit result into the destination word TONI. For this example, the instruction is located at address 2,F034h.

Source: Word EDE at address 3379Ch, pointed to by PC + 4766h which is the 16-bit result of 3379Ch - 2F036h = 04766h. Address 2F036h is the location of the index for this example.

Destination: Word TONI located at address 00778h pointed to by the absolute address 00778h.



MSP430X Instruction with Symbolic Mode

When using an MSP430X instruction with Symbolic mode, the operand can be located anywhere in the range of $PC \pm 19$ bits.

Length: Three or four words

Operation: The operand address is the sum of the 20-bit PC and the 20-bit index. The four MSBs of the index are contained in the extension word, the 16 LSBs are contained in the word following the instruction.

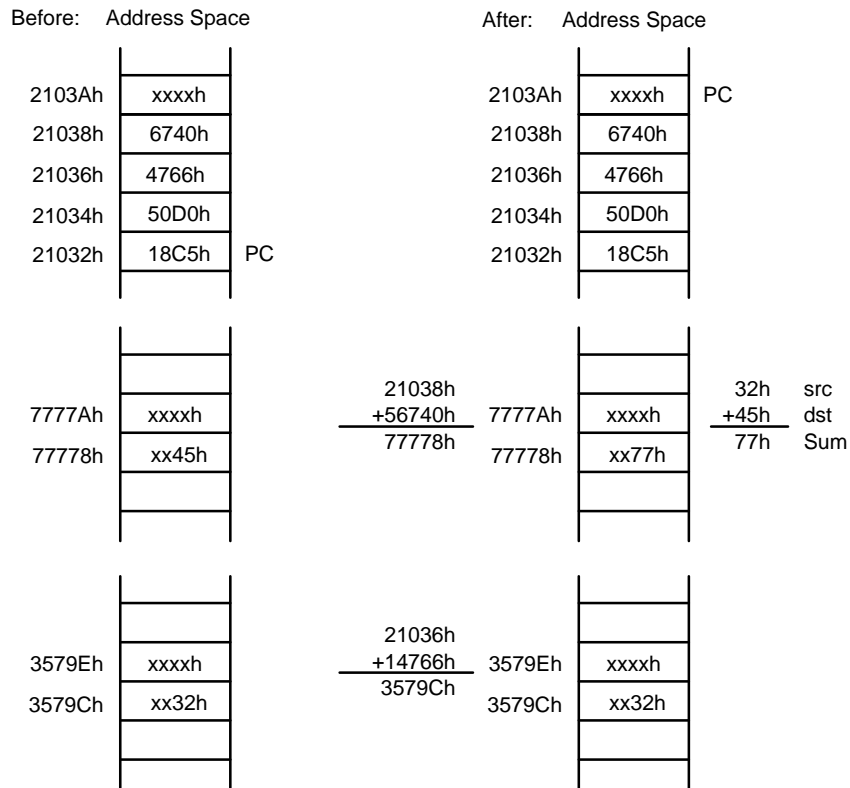
Comment: Valid for source and destination. The assembler calculates the register index and inserts it.

Example: `ADDX.B EDE,TONI ;`

The instruction adds the 8-bit data contained in source byte EDE and destination byte TONI and places the result into the destination byte TONI.

Source: Byte EDE located at address 3579Ch, pointed to by $PC + 14766h$, is the 20-bit result of $3579Ch - 21036h = 14766h$. Address 21036h is the address of the index in this example.

Destination: Byte TONI located at address 77778h, pointed to by $PC + 56740h$, is the 20-bit result of $77778h - 21038h = 56740h$. Address 21038h is the address of the index in this example..



4.4.4 Absolute Mode

The Absolute mode uses the contents of the word following the instruction as the address of the operand. The Absolute mode has two addressing possibilities:

- Absolute mode in lower 64-KB memory
- MSP430X instruction with Absolute mode

Absolute Mode in Lower 64 KB

If an MSP430 instruction is used with Absolute addressing mode, the absolute address is a 16-bit value and therefore points to an address in the lower 64 KB of the memory range. The address is calculated as an index from 0 and is stored in the word following the instruction. The RAM and the peripheral registers can be accessed this way and existing MSP430 software is usable without modifications.

Length: Two or three words

Operation: The operand is the content of the addressed memory location.

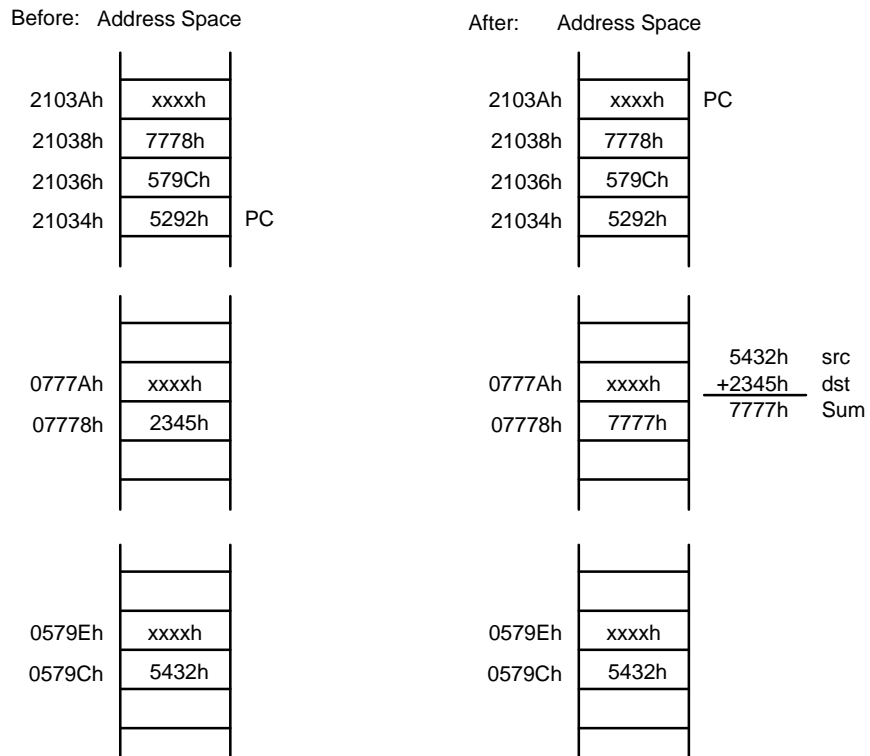
Comment: Valid for source and destination. The assembler calculates the index from 0 and inserts it

Example: `ADD.W &EDE,&TONI ;`

This instruction adds the 16-bit data contained in the absolute source and destination addresses and places the result into the destination.

Source: Word at address EDE

Destination: Word at address TONI



MSP430X Instruction with Absolute Mode

If an MSP430X instruction is used with Absolute addressing mode, the absolute address is a 20-bit value and therefore points to any address in the memory range. The address value is calculated as an index from 0. The four MSBs of the index are contained in the extension word, and the 16 LSBs are contained in the word following the instruction.

Length: Three or four words

Operation: The operand is the content of the addressed memory location.

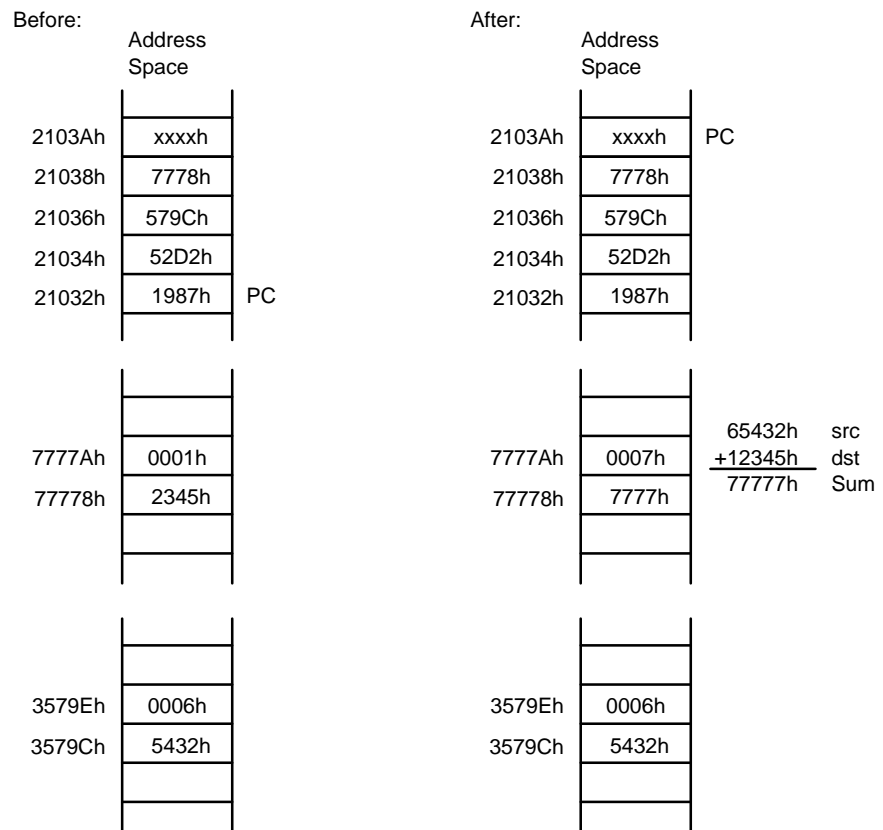
Comment: Valid for source and destination. The assembler calculates the index from 0 and inserts it

Example: `ADDX.A &EDE, &TONI ;`

This instruction adds the 20-bit data contained in the absolute source and destination addresses and places the result into the destination.

Source: Two words beginning with address EDE

Destination: Two words beginning with address TONI



4.4.5 Indirect Register Mode

The Indirect Register mode uses the contents of the CPU register Rsrc as the source operand. The Indirect Register mode always uses a 20-bit address.

Length: One, two, or three words

Operation: The operand is the content the addressed memory location. The source register Rsrc is not modified.

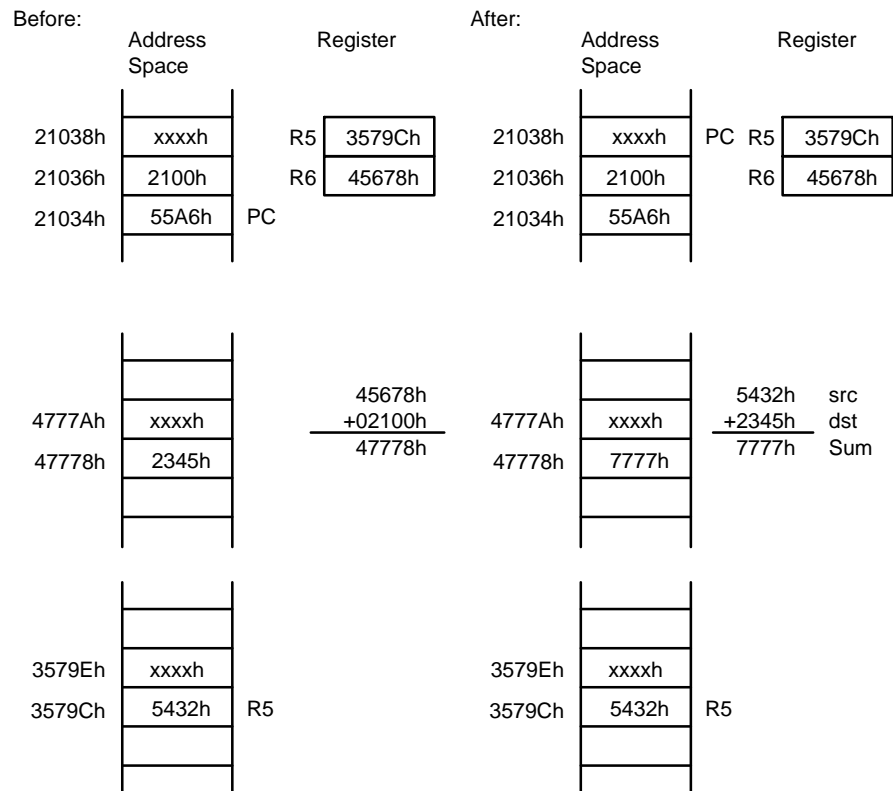
Comment: Valid only for the source operand. The substitute for the destination operand is 0(Rdst).

Example: `ADDX.W @R5, 2100h(R6)`

This instruction adds the two 16-bit operands contained in the source and the destination addresses and places the result into the destination.

Source: Word pointed to by R5. R5 contains address 3,579Ch for this example.

Destination: Word pointed to by R6 + 2100h which results in address 45678h + 2100h = 7778h.



4.4.6 Indirect, Autoincrement Mode

The Indirect Autoincrement mode uses the contents of the CPU register Rsrc as the source operand. Rsrc is then automatically incremented by 1 for byte instructions, by 2 for word instructions, and by 4 for address-word instructions immediately after accessing the source operand. If the same register is used for source and destination, it contains the incremented address for the destination access. Indirect Autoincrement mode always uses 20-bit addresses.

Length: One, two, or three words

Operation: The operand is the content of the addressed memory location.

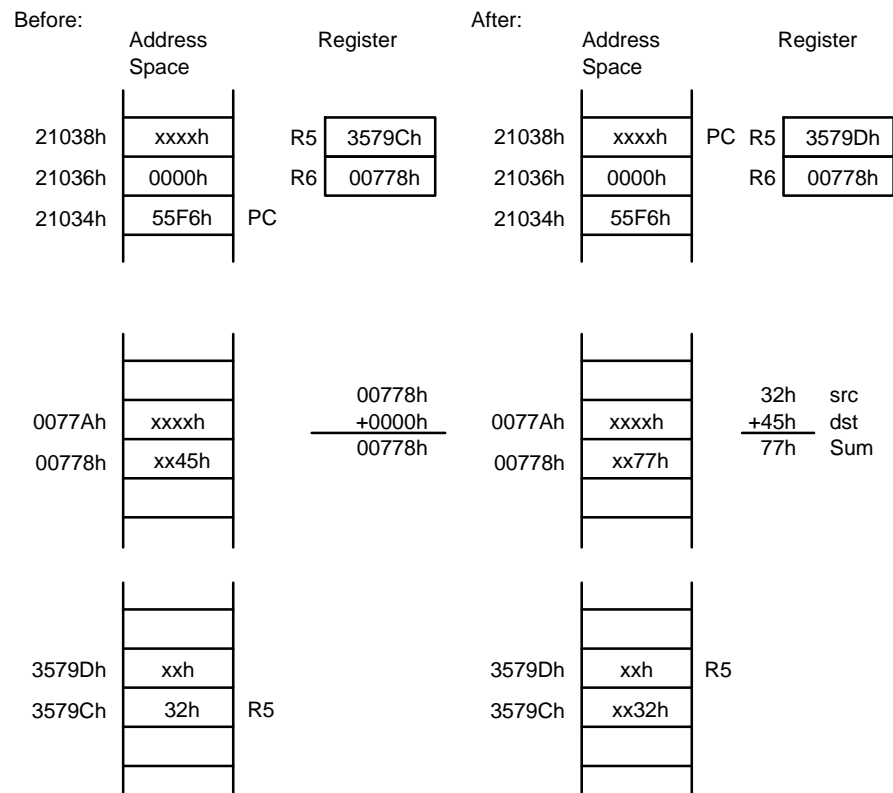
Comment: Valid only for the source operand.

Example: `ADD.B @R5+, 0(R6)`

This instruction adds the 8-bit data contained in the source and the destination addresses and places the result into the destination.

Source: Byte pointed to by R5. R5 contains address 3,579Ch for this example.

Destination: Byte pointed to by R6 + 0h which results in address 0778h for this example.



4.4.7 Immediate Mode

The Immediate mode allows accessing constants as operands by including the constant in the memory location following the instruction. The program counter PC is used with the Indirect Autoincrement mode. The PC points to the immediate value contained in the next word. After the fetching of the immediate operand, the PC is incremented by 2 for byte, word, or address-word instructions. The Immediate mode has two addressing possibilities:

- 8- or 16-bit constants with MSP430 instructions
- 20-bit constants with MSP430X instruction

MSP430 Instructions with Immediate Mode

If an MSP430 instruction is used with Immediate addressing mode, the constant is an 8- or 16-bit value and is stored in the word following the instruction.

Length: Two or three words. One word less if a constant of the constant generator can be used for the immediate operand.

Operation: The 16-bit immediate source operand is used together with the 16-bit destination operand.

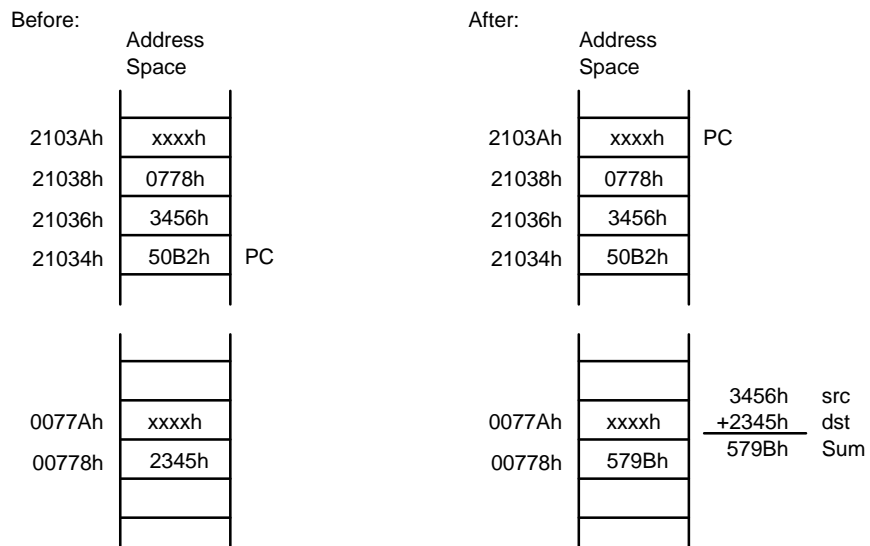
Comment: Valid only for the source operand.

Example: `ADD #3456h, &TONI`

This instruction adds the 16-bit immediate operand 3456h to the data in the destination address TONI.

Source: 16-bit immediate value 3456h.

Destination: Word at address TONI.



MSP430X Instructions with Immediate Mode

If an MSP430X instruction is used with immediate addressing mode, the constant is a 20-bit value. The 4 MSBs of the constant are stored in the extension word and the 16 LSBs of the constant are stored in the word following the instruction.

Length: Three or four words. One word less if a constant of the constant generator can be used for the immediate operand.

Operation: The 20-bit immediate source operand is used together with the 20-bit destination operand.

Comment: Valid only for the source operand.

Example: `ADDX.A #23456h,&TONI ;`

This instruction adds the 20-bit immediate operand 23456h to the data in the destination address TONI.

Source: 20-bit immediate value 23456h.

Destination: Two words beginning with address TONI.

Before:	Address Space	After:	Address Space	
2103Ah	xxxxh	2103Ah	xxxxh	PC
21038h	7778h	21038h	7778h	
21036h	3456h	21036h	3456h	
21034h	50F2h	21034h	50F2h	
21032h	1907h	21032h	1907h	
7777Ah	0001h	7777Ah	0003h	23456h src +12345h dst ----- 3579Bh Sum
77778h	2345h	77778h	579Bh	

4.5 MSP430 and MSP430X Instructions

MSP430 instructions are the 27 implemented instructions of the MSP430 CPU. These instructions are used throughout the 1-MB memory range unless their 16-bit capability is exceeded. The MSP430X instructions are used when the addressing of the operands or the data length exceeds the 16-bit capability of the MSP430 instructions.

There are three possibilities when choosing between an MSP430 and MSP430X instruction:

- To use only the MSP430 instructions: The only exceptions are the CALLA and the RETA instruction. This can be done if a few, simple rules are met:
 - Placement of all constants, variables, arrays, tables, and data in the lower 64 KB. This allows the use of MSP430 instructions with 16-bit addressing for all data accesses. No pointers with 20-bit addresses are needed.
 - Placement of subroutine constants immediately after the subroutine code. This allows the use of the symbolic addressing mode with its 16-bit index to reach addresses within the range of $PC \pm 32$ KB.
- To use only MSP430X instructions: The disadvantages of this method are the reduced speed due to the additional CPU cycles and the increased program space due to the necessary extension word for any double operand instruction.
- Use the best fitting instruction where needed

The following sections list and describe the MSP430 and MSP430X instructions.

4.5.1 MSP430 Instructions

The MSP430 instructions can be used, regardless if the program resides in the lower 64 KB or beyond it. The only exceptions are the instructions CALL and RET which are limited to the lower 64 KB address range. CALLA and RETA instructions have been added to the MSP430X CPU to handle subroutines in the entire address range with no code size overhead.

MSP430 Double Operand (Format I) Instructions

Figure 4–22 shows the format of the MSP430 double operand instructions. Source and destination words are appended for the Indexed, Symbolic, Absolute and Immediate modes. Table 4–4 lists the twelve MSP430 double operand instructions.

Figure 4–22. MSP430 Double Operand Instruction Format

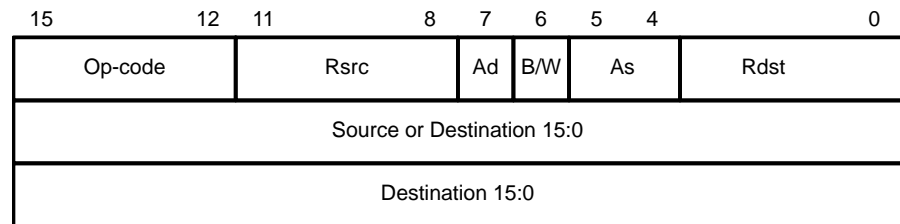


Table 4–4. MSP430 Double Operand Instructions

Mnemonic	S-Reg, D-Reg	Operation	Status Bits			
			V	N	Z	C
MOV(.B)	src, dst	src → dst	–	–	–	–
ADD(.B)	src, dst	src + dst → dst	*	*	*	*
ADDC(.B)	src, dst	src + dst + C → dst	*	*	*	*
SUB(.B)	src, dst	dst + .not.src + 1 → dst	*	*	*	*
SUBC(.B)	src, dst	dst + .not.src + C → dst	*	*	*	*
CMP(.B)	src, dst	dst – src	*	*	*	*
DADD(.B)	src, dst	src + dst + C → dst (decimally)	*	*	*	*
BIT(.B)	src, dst	src .and. dst	0	*	*	Z
BIC(.B)	src, dst	.not.src .and. dst → dst	–	–	–	–
BIS(.B)	src, dst	src .or. dst → dst	–	–	–	–
XOR(.B)	src, dst	src .xor. dst → dst	*	*	*	Z
AND(.B)	src, dst	src .and. dst → dst	0	*	*	Z

- * The status bit is affected
- The status bit is not affected
- 0 The status bit is cleared
- 1 The status bit is set

Single Operand (Format II) Instructions

Figure 4–23 shows the format for MSP430 single operand instructions, except RETI. The destination word is appended for the Indexed, Symbolic, Absolute and Immediate modes. Table 4–5 lists the seven single operand instructions.

Figure 4–23. MSP430 Single Operand Instructions

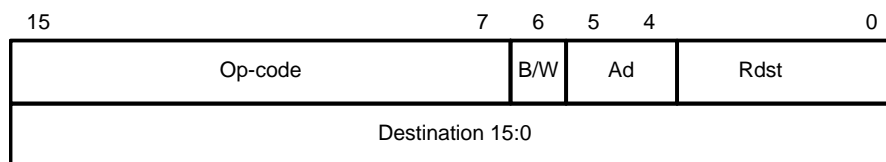


Table 4–5. MSP430 Single Operand Instructions

Mnemonic	S-Reg, D-Reg	Operation	Status Bits			
			V	N	Z	C
RRC (.B)	dst	C → MSB →.....LSB → C	*	*	*	*
RRA (.B)	dst	MSB → MSB →....LSB → C	0	*	*	*
PUSH (.B)	src	SP – 2 → SP, src → @SP	–	–	–	–
SWPB	dst	bit 15...bit 8 ↔ bit 7...bit 0	–	–	–	–
CALL	dst	Call subroutine in lower 64 KB	–	–	–	–
RETI		TOS → SR, SP + 2 → SP	*	*	*	*
		TOS → PC, SP + 2 → SP				
SXT	dst	Register mode: bit 7 → bit 8 ...bit 19 Other modes: bit 7 → bit 8 ...bit 15	0	*	*	\bar{Z}

- * The status bit is affected
- The status bit is not affected
- 0 The status bit is cleared
- 1 The status bit is set

Jumps

Figure 4–24 shows the format for MSP430 and MSP430X jump instructions. The signed 10-bit word offset of the jump instruction is multiplied by two, sign-extended to a 20-bit address, and added to the 20-bit program counter. This allows jumps in a range of -511 to +512 words relative to the program counter in the full 20-bit address space. Jumps do not affect the status bits. Table 4–6 lists and describes the eight jump instructions.

Figure 4–24. Format of the Conditional Jump Instructions

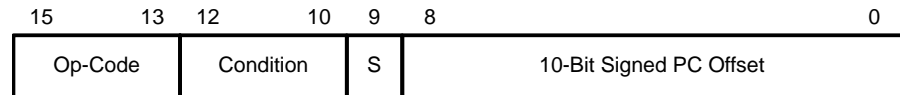


Table 4–6. Conditional Jump Instructions

Mnemonic	S-Reg, D-Reg	Operation
JEQ/JZ	Label	Jump to label if zero bit is set
JNE/JNZ	Label	Jump to label if zero bit is reset
JC	Label	Jump to label if carry bit is set
JNC	Label	Jump to label if carry bit is reset
JN	Label	Jump to label if negative bit is set
JGE	Label	Jump to label if (N .XOR. V) = 0
JL	Label	Jump to label if (N .XOR. V) = 1
JMP	Label	Jump to label unconditionally

Emulated Instructions

In addition to the MSP430 and MSP430X instructions, emulated instructions are instructions that make code easier to write and read, but do not have op-codes themselves. Instead, they are replaced automatically by the assembler with a core instruction. There is no code or performance penalty for using emulated instructions. The emulated instructions are listed in Table 4–7.

Table 4–7. Emulated Instructions

Instruction	Explanation	Emulation	V	N	Z	C
ADC(.B) dst	Add Carry to dst	ADDC(.B) #0,dst	*	*	*	*
BR dst	Branch indirectly dst	MOV dst,PC	-	-	-	-
CLR(.B) dst	Clear dst	MOV(.B) #0,dst	-	-	-	-
CLRC	Clear Carry bit	BIC #1,SR	-	-	-	0
CLRN	Clear Negative bit	BIC #4,SR	-	0	-	-
CLRZ	Clear Zero bit	BIC #2,SR	-	-	0	-
DADC(.B) dst	Add Carry to dst decimally	DADD(.B) #0,dst	*	*	*	*
DEC(.B) dst	Decrement dst by 1	SUB(.B) #1,dst	*	*	*	*
DECD(.B) dst	Decrement dst by 2	SUB(.B) #2,dst	*	*	*	*
DINT	Disable interrupt	BIC #8,SR	-	-	-	-
EINT	Enable interrupt	BIS #8,SR	-	-	-	-
INC(.B) dst	Increment dst by 1	ADD(.B) #1,dst	*	*	*	*
INCD(.B) dst	Increment dst by 2	ADD(.B) #2,dst	*	*	*	*
INV(.B) dst	Invert dst	XOR(.B) #-1,dst	*	*	*	*
NOP	No operation	MOV R3,R3	-	-	-	-
POP dst	Pop operand from stack	MOV @SP+,dst	-	-	-	-
RET	Return from subroutine	MOV @SP+,PC	-	-	-	-
RLA(.B) dst	Shift left dst arithmetically	ADD(.B) dst,dst	*	*	*	*
RLC(.B) dst	Shift left dst logically through Carry	ADDC(.B) dst,dst	*	*	*	*
SBC(.B) dst	Subtract Carry from dst	SUBC(.B) #0,dst	*	*	*	*
SETC	Set Carry bit	BIS #1,SR	-	-	-	1
SETN	Set Negative bit	BIS #4,SR	-	1	-	-
SETZ	Set Zero bit	BIS #2,SR	-	-	1	-
TST(.B) dst	Test dst (compare with 0)	CMP(.B) #0,dst	0	*	*	1

MSP430 Instruction Execution

The number of CPU clock cycles required for an instruction depends on the instruction format and the addressing modes used - not the instruction itself. The number of clock cycles refers to MCLK.

Instruction Cycles and Length for Interrupt, Reset, and Subroutines

Table 4–8 lists the length and the CPU cycles for reset, interrupts and subroutines.

Table 4–8. Interrupt, Return and Reset Cycles and Length

Action	Execution Time MCLK Cycles	Length of Instruction (Words)
Return from interrupt RETI	3†	1
Return from subroutine RET	3	1
Interrupt request service (cycles needed before 1 st instruction)	5‡	-
WDT reset	4	-
Reset (RST/NMI)	4	-

† The cycle count in MSP430 CPU is 5.

‡ The cycle count in MSP430 CPU is 6.

Format-II (Single Operand) Instruction Cycles and Lengths

Table 4–9 lists the length and the CPU cycles for all addressing modes of the MSP430 single operand instructions.

Table 4–9. MSP430 Format-II Instruction Cycles and Length

Addressing Mode	No. of Cycles			Length of Instruction	Example
	RRA, RRC SWPB, SXT	PUSH	CALL	Length of Instruction	Example
Rn	1	3	3 [†]	1	SWPB R5
@Rn	3	3 [†]	4	1	RRC @R9
@Rn+	3	3 [†]	4 [‡]	1	SWPB @R10+
#N	n.a.	3 [†]	4 [‡]	2	CALL #LABEL
X(Rn)	4	4 [‡]	4 [‡]	2	CALL 2(R7)
EDE	4	4 [‡]	4 [‡]	2	PUSH EDE
&EDE	4	4 [‡]	4 [‡]	2	SXT &EDE

[†] The cycle count in MSP430 CPU is 4.

[‡] The cycle count in MSP430 CPU is 5. Also, the cycle count is 5 for X(Rn) addressing mode, when Rn = SP.

Jump Instructions. Cycles and Lengths

All jump instructions require one code word, and take two CPU cycles to execute, regardless of whether the jump is taken or not.

Format-I (Double Operand) Instruction Cycles and Lengths

Table 4–10 lists the length and CPU cycles for all addressing modes of the MSP430 format-I instructions.

Table 4–10. MSP430 Format-I Instructions Cycles and Length

Addressing Mode		No. of Cycles	Length of Instruction		Example
Src	Dst				
Rn	Rm	1	1	MOV	R5, R8
	PC	2	1	BR	R9
	x(Rm)	4 [†]	2	ADD	R5, 4(R6)
	EDE	4 [†]	2	XOR	R8, EDE
	&EDE	4 [†]	2	MOV	R5, &EDE
@Rn	Rm	2	1	AND	@R4, R5
	PC	3	1	BR	@R8
	x(Rm)	5 [†]	2	XOR	@R5, 8(R6)
	EDE	5 [†]	2	MOV	@R5, EDE
	&EDE	5 [†]	2	XOR	@R5, &EDE
@Rn+	Rm	2	1	ADD	@R5+, R6
	PC	3	1	BR	@R9+
	x(Rm)	5 [†]	2	XOR	@R5, 8(R6)
	EDE	5 [†]	2	MOV	@R9+, EDE
	&EDE	5 [†]	2	MOV	@R9+, &EDE
#N	Rm	2	2	MOV	#20, R9
	PC	3	2	BR	#2AEh
	x(Rm)	5 [†]	3	MOV	#0300h, 0(SP)
	EDE	5 [†]	3	ADD	#33, EDE
	&EDE	5 [†]	3	ADD	#33, &EDE
x(Rn)	Rm	3	2	MOV	2(R5), R7
	PC	3	2	BR	2(R6)
	TONI	6 [†]	3	MOV	4(R7), TONI
	x(Rm)	6 [†]	3	ADD	4(R4), 6(R9)
	&TONI	6 [†]	3	MOV	2(R4), &TONI
EDE	Rm	3	2	AND	EDE, R6
	PC	3	2	BR	EDE
	TONI	6 [†]	3	CMP	EDE, TONI
	x(Rm)	6 [†]	3	MOV	EDE, 0(SP)
	&TONI	6 [†]	3	MOV	EDE, &TONI
&EDE	Rm	3	2	MOV	&EDE, R8
	PC	3	2	BR	&EDE
	TONI	6 [†]	3	MOV	&EDE, TONI
	x(Rm)	6 [†]	3	MOV	&EDE, 0(SP)
	&TONI	6 [†]	3	MOV	&EDE, &TONI

[†] MOV, BIT, and CMP instructions execute in 1 fewer cycle

4.5.2 MSP430X Extended Instructions

The extended MSP430X instructions give the MSP430X CPU full access to its 20-bit address space. Most MSP430X instructions require an additional word of op-code called the extension word. Some extended instructions do not require an additional word and are noted in the instruction description. All addresses, indexes and immediate numbers have 20-bit values, when preceded by the extension word.

There are two types of extension word:

- Register/register mode for Format-I instructions and register mode for Format-II instructions.
- Extension word for all other address mode combinations.

Register Mode Extension Word

The register mode extension word is shown in Figure 4–25 and described in Table 4–11. An example is shown in Figure 4–27.

Figure 4–25. The Extension Word for Register Modes

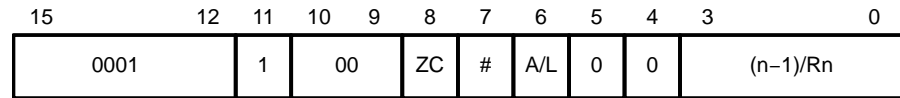


Table 4–11. Description of the Extension Word Bits for Register Mode

Bit	Description															
15:11	Extension word op-code. Op-codes 1800h to 1FFFh are extension words.															
10:9	Reserved															
ZC	Zero carry bit. 0: The executed instruction uses the status of the carry bit C. 1: The executed instruction uses the carry bit as 0. The carry bit will be defined by the result of the final operation after instruction execution.															
#	Repetition bit. 0: The number of instruction repetitions is set by extension-word bits 3:0. 1: The number of instructions repetitions is defined by the value of the four LSBs of Rn. See description for bits 3:0.															
A/L	Data length extension bit. Together with the B/W-bits of the following MSP430 instruction, the AL bit defines the used data length of the instruction. <table style="width: 100%; border-collapse: collapse;"> <thead> <tr> <th style="text-align: left;">A/L</th> <th style="text-align: left;">B/W</th> <th style="text-align: left;">Comment</th> </tr> </thead> <tbody> <tr> <td>0</td> <td>0</td> <td>Reserved</td> </tr> <tr> <td>0</td> <td>1</td> <td>20-bit address-word</td> </tr> <tr> <td>1</td> <td>0</td> <td>16-bit word</td> </tr> <tr> <td>1</td> <td>1</td> <td>8-bit byte</td> </tr> </tbody> </table>	A/L	B/W	Comment	0	0	Reserved	0	1	20-bit address-word	1	0	16-bit word	1	1	8-bit byte
A/L	B/W	Comment														
0	0	Reserved														
0	1	20-bit address-word														
1	0	16-bit word														
1	1	8-bit byte														
5:4	Reserved															
3:0	Repetition Count. # = 0: These four bits set the repetition count n. These bits contain n - 1. # = 1: These four bits define the CPU register whose bits 3:0 set the number of repetitions. Rn.3:0 contain n - 1.															

Non-Register Mode Extension Word

The extension word for non-register modes is shown in Figure 4–26 and described in Table 4–12. An example is shown in Figure 4–28.

Figure 4–26. The Extension Word for Non-Register Modes

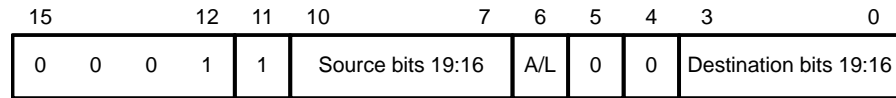


Table 4–12. Description of the Extension Word Bits for Non-Register Modes

Bit	Description															
15:11	Extension word op-code. Op-codes 1800h to 1FFFh are extension words.															
Source Bits 19:16	The four MSBs of the 20-bit source. Depending on the source addressing mode, these four MSBs may belong to an immediate operand, an index or to an absolute address.															
A/L	Data length extension bit. Together with the B/W-bits of the following MSP430 instruction, the AL bit defines the used data length of the instruction.															
	<table style="width: 100%; border-collapse: collapse;"> <thead> <tr> <th style="text-align: left;">A/L</th> <th style="text-align: left;">B/W</th> <th style="text-align: left;">Comment</th> </tr> </thead> <tbody> <tr> <td>0</td> <td>0</td> <td>Reserved</td> </tr> <tr> <td>0</td> <td>1</td> <td>20 bit address-word</td> </tr> <tr> <td>1</td> <td>0</td> <td>16 bit word</td> </tr> <tr> <td>1</td> <td>1</td> <td>8 bit byte</td> </tr> </tbody> </table>	A/L	B/W	Comment	0	0	Reserved	0	1	20 bit address-word	1	0	16 bit word	1	1	8 bit byte
A/L	B/W	Comment														
0	0	Reserved														
0	1	20 bit address-word														
1	0	16 bit word														
1	1	8 bit byte														
5:4	Reserved															
Destination Bits 19:16	The four MSBs of the 20-bit destination. Depending on the destination addressing mode, these four MSBs may belong to an index or to an absolute address.															

Note: B/W and A/L Bit Settings for SWPBX and SXTX

The B/W and A/L bit settings for SWPBX and SXTX are:

A/L	B/W	
0	0	SWPBX.A, SXTX.A
0	1	n.a.
1	0	SWPB.W, SXTX.W
1	1	n.a.

Figure 4–27. Example for an Extended Register/Register Instruction

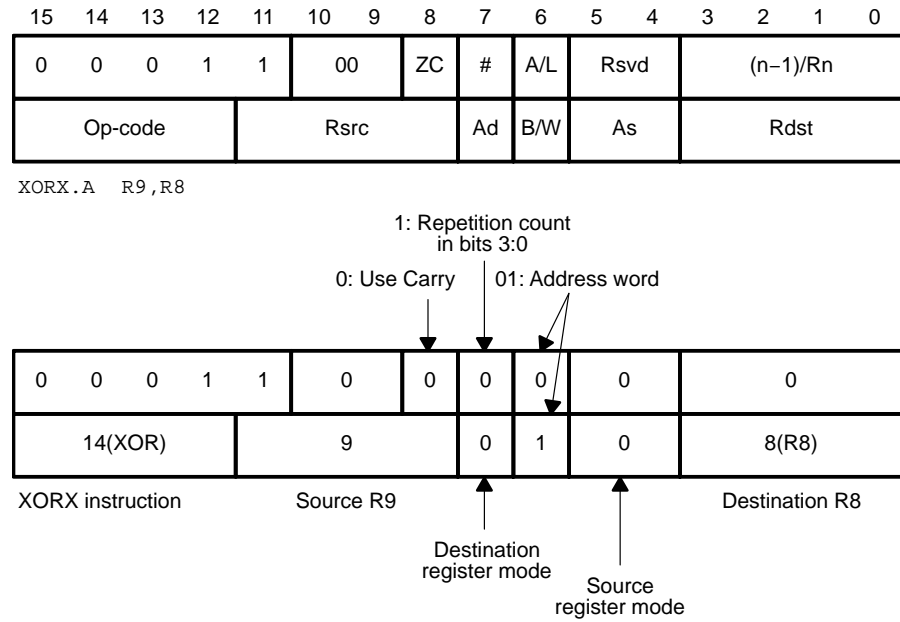
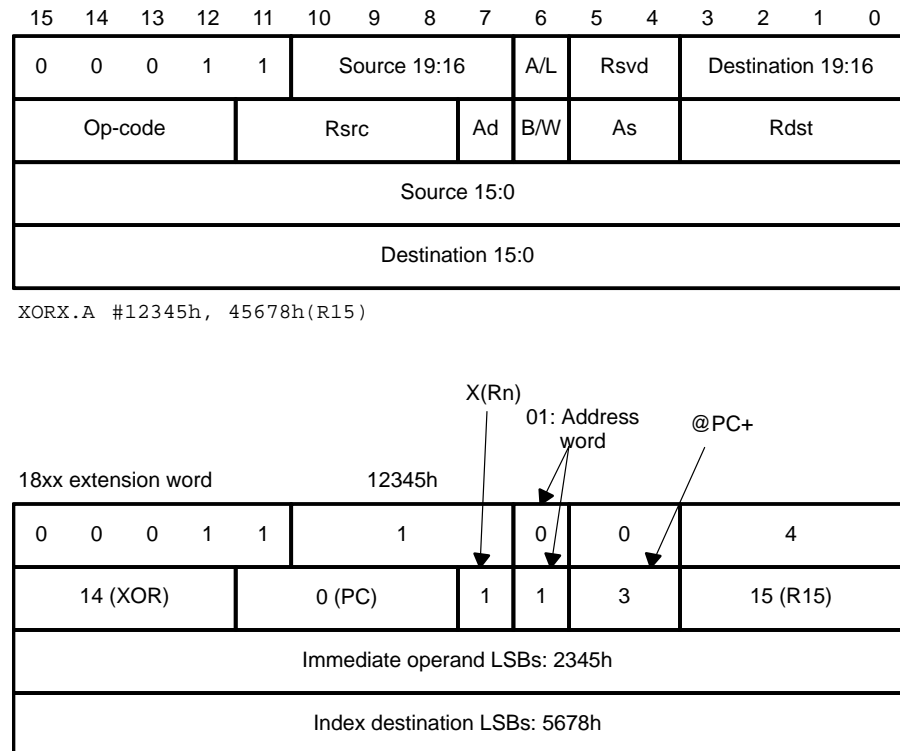


Figure 4–28. Example for an Extended Immediate/Indexed Instruction



Extended Double Operand (Format-I) Instructions

All twelve double-operand instructions have extended versions as listed in Table 4-13.

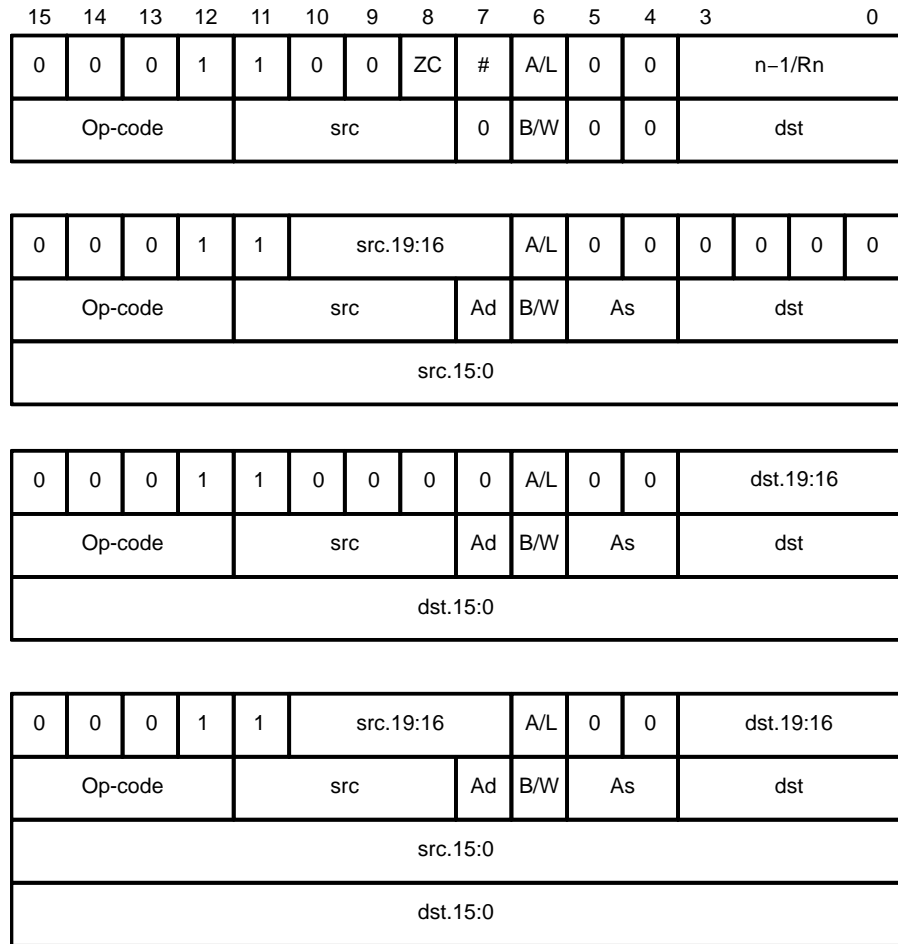
Table 4-13. Extended Double Operand Instructions

Mnemonic	Operands	Operation	Status Bits			
			V	N	Z	C
MOVX(.B, .A)	src, dst	src → dst	–	–	–	–
ADDX(.B, .A)	src, dst	src + dst → dst	*	*	*	*
ADDCX(.B, .A)	src, dst	src + dst + C → dst	*	*	*	*
SUBX(.B, .A)	src, dst	dst + .not.src + 1 → dst	*	*	*	*
SUBCX(.B, .A)	src, dst	dst + .not.src + C → dst	*	*	*	*
CMPX(.B, .A)	src, dst	dst – src	*	*	*	*
DADDX(.B, .A)	src, dst	src + dst + C → dst (decimal)	*	*	*	*
BITX(.B, .A)	src, dst	src .and. dst	0	*	*	\bar{Z}
BICX(.B, .A)	src, dst	.not.src .and. dst → dst	–	–	–	–
BISX(.B, .A)	src, dst	src .or. dst → dst	–	–	–	–
XORX(.B, .A)	src, dst	src .xor. dst → dst	*	*	*	Z
ANDX(.B, .A)	src, dst	src .and. dst → dst	0	*	*	\bar{Z}

- * The status bit is affected
- The status bit is not affected
- 0 The status bit is cleared
- 1 The status bit is set

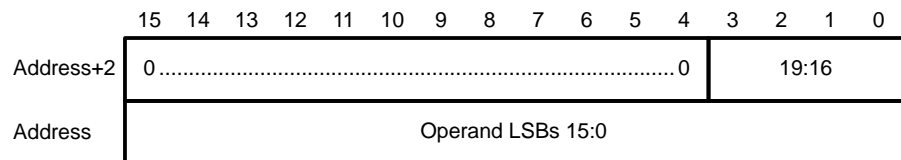
The four possible addressing combinations for the extension word for format-I instructions are shown in Figure 4–29.

Figure 4–29. Extended Format-I Instruction Formats



If the 20-bit address of a source or destination operand is located in memory, not in a CPU register, then two words are used for this operand as shown in Figure 4–30.

Figure 4–30. 20-Bit Addresses in Memory



Extended Single Operand (Format-II) Instructions

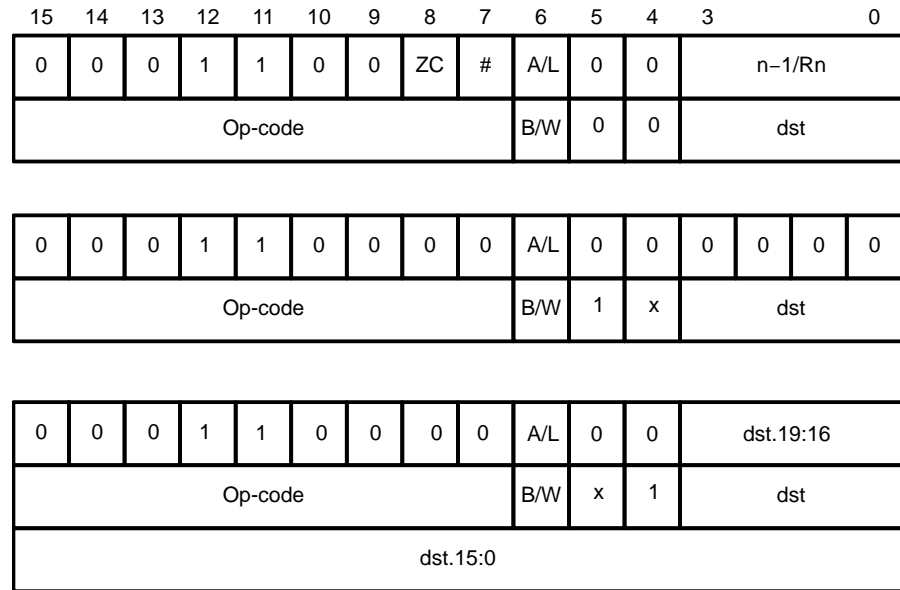
Extended MSP430X Format-II instructions are listed in Table 4–14.

Table 4–14. Extended Single-Operand Instructions

Mnemonic	Operands	Operation	Status Bits				
			n	V	N	Z	C
CALLA	dst	Call indirect to subroutine (20-bit address)		-	-	-	-
POPM.A	#n,Rdst	Pop n 20-bit registers from stack	1 – 16	-	-	-	-
POPM.W	#n,Rdst	Pop n 16-bit registers from stack	1 – 16	-	-	-	-
PUSHM.A	#n,Rsrc	Push n 20-bit registers to stack	1 – 16	-	-	-	-
PUSHM.W	#n,Rsrc	Push n 16-bit registers to stack	1 – 16				
PUSHX(.B,.A)	src	Push 8/16/20-bit source to stack		-	-	-	-
RRCM(.A)	#n,Rdst	Rotate right Rdst n bits through carry (16-/20-bit register)	1 – 4	0	*	*	*
RRUM(.A)	#n,Rdst	Rotate right Rdst n bits unsigned (16-/20-bit register)	1 – 4	0	*	*	*
RRAM(.A)	#n,Rdst	Rotate right Rdst n bits arithmetically (16-/20-bit register)	1 – 4	*	*	*	*
RLAM(.A)	#n,Rdst	Rotate left Rdst n bits arithmetically (16-/20-bit register)	1 – 4	*	*	*	*
RRCX(.B,.A)	dst	Rotate right dst through carry (8-/16-/20-bit data)	1	0	*	*	*
RRUX(.B,.A)	dst	Rotate right dst unsigned (8-/16-/20-bit)	1	0	*	*	*
RRAX(.B,.A)	dst	Rotate right dst arithmetically	1	*	*	*	*
SWPBX(.A)	dst	Exchange low byte with high byte	1	-	-	-	-
SXTX(.A)	Rdst	Bit7 → bit8 ... bit19	1	0	*	*	*
SXTX(.A)	dst	Bit7 → bit8 ... MSB	1	0	*	*	*

The three possible addressing mode combinations for format-II instructions are shown in Figure 4–31.

Figure 4–31. Extended Format-II Instruction Format



Extended Format II Instruction Format Exceptions

Exceptions for the Format II instruction formats are shown below.

Figure 4–32. PUSHM/POPM Instruction Format

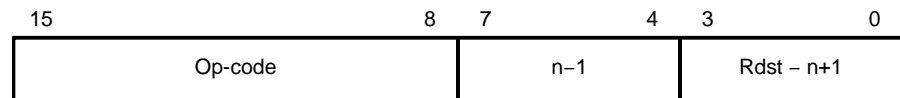


Figure 4–33. RRCM, RRAM, RRUM and RLAM Instruction Format

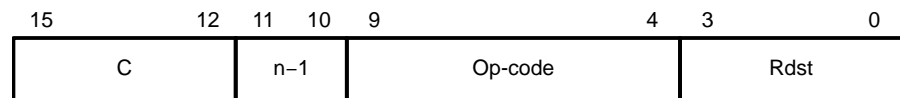


Figure 4–34. BRA Instruction Format

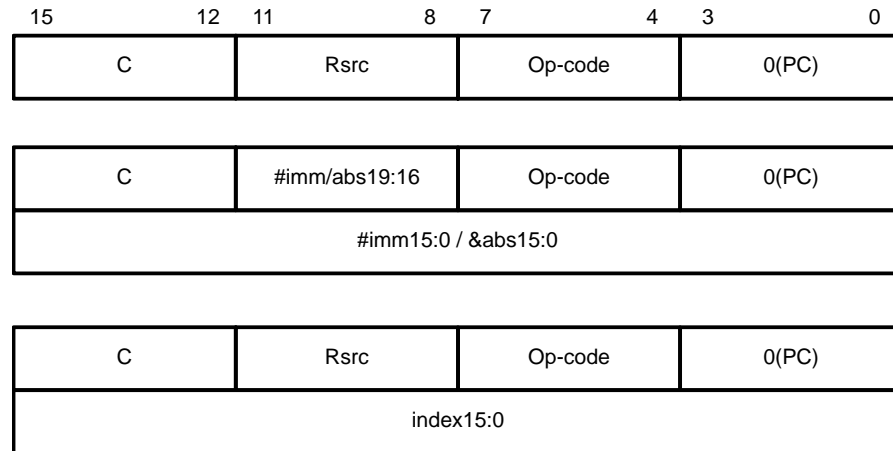
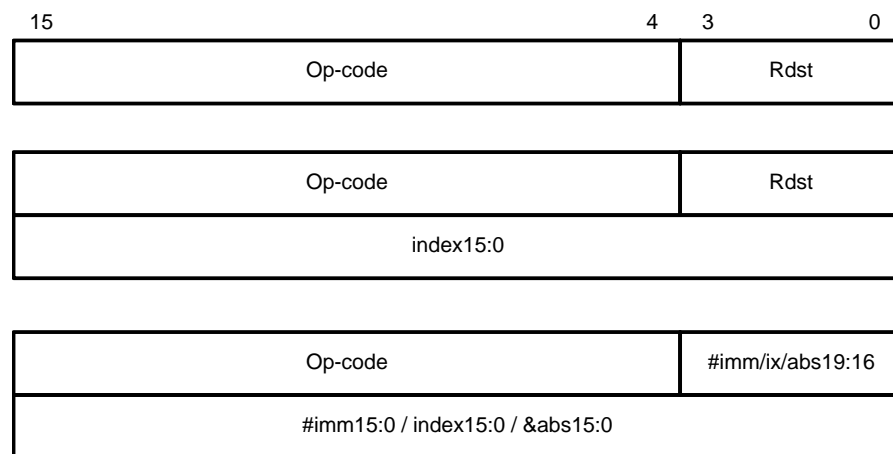


Figure 4–35. CALLA Instruction Format



Extended Emulated Instructions

The extended instructions together with the constant generator form the extended Emulated instructions. Table 4–15 lists the Emulated instructions.

Table 4–15. Extended Emulated Instructions

Instruction	Explanation	Emulation
ADCX(.B, .A) dst	Add carry to dst	ADDCX(.B, .A) #0, dst
BRA dst	Branch indirect dst	MOVA dst, PC
RETA	Return from subroutine	MOVA @SP+, PC
CLRA Rdst	Clear Rdst	MOV #0, Rdst
CLR(.B, .A) dst	Clear dst	MOVX(.B, .A) #0, dst
DADCX(.B, .A) dst	Add carry to dst decimally	DADDX(.B, .A) #0, dst
DECX(.B, .A) dst	Decrement dst by 1	SUBX(.B, .A) #1, dst
DECD Rdst	Decrement dst by 2	SUBA #2, Rdst
DECDX(.B, .A) dst	Decrement dst by 2	SUBX(.B, .A) #2, dst
INCX(.B, .A) dst	Increment dst by 1	ADDX(.B, .A) #1, dst
INCD Rdst	Increment Rdst by 2	ADDA #2, Rdst
INCDX(.B, .A) dst	Increment dst by 2	ADDX(.B, .A) #2, dst
INVX(.B, .A) dst	Invert dst	XORX(.B, .A) #-1, dst
RLAX(.B, .A) dst	Shift left dst arithmetically	ADDX(.B, .A) dst, dst
RLCX(.B, .A) dst	Shift left dst logically through carry	ADDCX(.B, .A) dst, dst
SBCX(.B, .A) dst	Subtract carry from dst	SUBCX(.B, .A) #0, dst
TSTA Rdst	Test Rdst (compare with 0)	CMPA #0, Rdst
TSTX(.B, .A) dst	Test dst (compare with 0)	CMPX(.B, .A) #0, dst
POPX dst	Pop to dst	MOVX(.B, .A) @SP+, dst

MSP430X Address Instructions

MSP430X address instructions are instructions that support 20-bit operands but have restricted addressing modes. The addressing modes are restricted to the register mode and the Immediate mode, except for the MOVA instruction as listed in Table 4–16. Restricting the addressing modes removes the need for the additional extension-word op-code improving code density and execution time. Address instructions should be used any time an MSP430X instruction is needed with the corresponding restricted addressing mode.

Table 4–16. Address Instructions, Operate on 20-bit Registers Data

Mnemonic	Operands	Operation	Status Bits			
			V	N	Z	C
ADDA	Rsrc, Rdst #imm20, Rdst	Add source to destination register	*	*	*	*
MOVA	Rsrc, Rdst #imm20, Rdst z16(Rsrc), Rdst EDE, Rdst &abs20, Rdst @Rsrc, Rdst @Rsrc+, Rdst Rsrc, z16(Rdst) Rsrc, &abs20	Move source to destination	-	-	-	-
CMPA	Rsrc, Rdst #imm20, Rdst	Compare source to destination register	*	*	*	*
SUBA	Rsrc, Rdst #imm20, Rdst	Subtract source from destination register	*	*	*	*

MSP430X Instruction Execution

The number of CPU clock cycles required for an MSP430X instruction depends on the instruction format and the addressing modes used — not the instruction itself. The number of clock cycles refers to MCLK.

MSP430X Format-II (Single-Operand) Instruction Cycles and Lengths

Table 4–17 lists the length and the CPU cycles for all addressing modes of the MSP430X extended single-operand instructions.

Table 4–17. MSP430X Format II Instruction Cycles and Length

Instruction	Execution Cycles/Length of Instruction (Words)						
	Rn	@Rn	@Rn+	#N	X(Rn)	EDE	&EDE
RRAM	n/1	–	–	–	–	–	–
RRCM	n/1	–	–	–	–	–	–
RRUM	n/1	–	–	–	–	–	–
RLAM	n/1	–	–	–	–	–	–
PUSHM	2+n/1	–	–	–	–	–	–
PUSHM.A	2+2n/1	–	–	–	–	–	–
POPM	2+n/1	–	–	–	–	–	–
POPM.A	2+2n/1	–	–	–	–	–	–
CALLA	4/1	5/1	5/1	4/2	6 [†] /2	6/2	6/2
RRAX(.B)	1+n/2	4/2	4/2	–	5/3	5/3	5/3
RRAX.A	1+n/2	6/2	6/2	–	7/3	7/3	7/3
RRCX(.B)	1+n/2	4/2	4/2	–	5/3	5/3	5/3
RRCX.A	1+n/2	6/2	6/2	–	7/3	7/3	7/3
PUSHX(.B)	4/2	4/2	4/2	4/3	5 [†] /3	5/3	5/3
PUSHX.A	5/2	6/2	6/2	6/3	7 [†] /3	7/3	7/3
POPX(.B)	3/2	–	–	–	5/3	5/3	5/3
POPX.A	4/2	–	–	–	7/3	7/3	7/3

[†] Add one cycle when Rn = SP.

MSP430X Format-I (Double-Operand) Instruction Cycles and Lengths

Table 4–18 lists the length and CPU cycles for all addressing modes of the MSP430X extended format-I instructions.

Table 4–18. MSP430X Format-I Instruction Cycles and Length

Addressing Mode		No. of Cycles		Length of Instruction	
Source	Destination	.B/.W	.A	.B/.W/.A	Examples
Rn	Rm [†]	2	2	2	BITX.B R5,R8
	PC	3	3	2	ADDX R9,PC
	X(Rm)	5 [‡]	7 [§]	3	ANDX.A R5,4(R6)
	EDE	5 [‡]	7 [§]	3	XORX R8,EDE
	&EDE	5 [‡]	7 [§]	3	BITX.W R5,&EDE
@Rn	Rm	3	4	2	BITX @R5,R8
	PC	3	4	2	ADDX @R9,PC
	X(Rm)	6 [‡]	9 [§]	3	ANDX.A @R5,4(R6)
	EDE	6 [‡]	9 [§]	3	XORX @R8,EDE
	&EDE	6 [‡]	9 [§]	3	BITX.B @R5,&EDE
@Rn+	Rm	3	4	2	BITX @R5+,R8
	PC	4	5	2	ADDX.A @R9+,PC
	X(Rm)	6 [‡]	9 [§]	3	ANDX @R5+,4(R6)
	EDE	6 [‡]	9 [§]	3	XORX.B @R8+,EDE
	&EDE	6 [‡]	9 [§]	3	BITX @R5+,&EDE
#N	Rm	3	3	3	BITX #20,R8
	PC [¶]	4	4	3	ADDX.A #FE000h,PC
	X(Rm)	6 [‡]	8 [§]	4	ANDX #1234,4(R6)
	EDE	6 [‡]	8 [§]	4	XORX #A5A5h,EDE
	&EDE	6 [‡]	8 [§]	4	BITX.B #12,&EDE
X(Rn)	Rm	4	5	3	BITX 2(R5),R8
	PC [¶]	5	6	3	SUBX.A 2(R6),PC
	X(Rm)	7 [‡]	10 [§]	4	ANDX 4(R7),4(R6)
	EDE	7 [‡]	10 [§]	4	XORX.B 2(R6),EDE
	&EDE	7 [‡]	10 [§]	4	BITX 8(SP),&EDE
EDE	Rm	4	5	3	BITX.B EDE,R8
	PC [¶]	5	6	3	ADDX.A EDE,PC
	X(Rm)	7 [‡]	10 [§]	4	ANDX EDE,4(R6)
	EDE	7 [‡]	10 [§]	4	ANDX EDE,TONI
	&TONI	7 [‡]	10 [§]	4	BITX EDE,&TONI
&EDE	Rm	4	5	3	BITX &EDE,R8
	PC [¶]	5	6	3	ADDX.A &EDE,PC
	X(Rm)	7 [‡]	10 [§]	4	ANDX.B &EDE,4(R6)
	TONI	7 [‡]	10 [§]	4	XORX &EDE,TONI
	&TONI	7 [‡]	10 [§]	4	BITX &EDE,&TONI

[†] Repeat instructions require n+1 cycles where n is the number of times the instruction is executed.

[‡] Reduce the cycle count by one for MOV, BIT, and CMP instructions.

[§] Reduce the cycle count by two for MOV, BIT, and CMP instructions.

[¶] Reduce the cycle count by one for MOV, ADD, and SUB instructions.

MSP430X Address Instruction Cycles and Lengths

Table 4–19 lists the length and the CPU cycles for all addressing modes of the MSP430X address instructions.

Table 4–19. Address Instruction Cycles and Length

Addressing Mode		Execution Time MCLK Cycles			Length of Instruction (Words)		Example
Source	Destination	MOVA BRA	CMPA ADDA SUBA	MOVA	CMPA ADDA SUBA		
Rn	Rn	1	1	1	1	CMPA R5,R8	
	PC	2	2	1	1	SUBA R9,PC	
	x(Rm)	4	-	2	-	MOVA R5,4(R6)	
	EDE	4	-	2	-	MOVA R8,EDE	
&EDE	&EDE	4	-	2	-	MOVA R5,&EDE	
@Rn	Rm	3	-	1	-	MOVA @R5,R8	
	PC	3	-	1	-	MOVA @R9,PC	
@Rn+	Rm	3	-	1	-	MOVA @R5+,R8	
	PC	3	-	1	-	MOVA @R9+,PC	
#N	Rm	2	3	2	2	CMPA #20,R8	
	PC	3	3	2	2	SUBA #FE00h,PC	
x(Rn)	Rm	4	-	2	-	MOVA 2(R5),R8	
	PC	4	-	2	-	MOVA 2(R6),PC	
EDE	Rm	4	-	2	-	MOVA EDE,R8	
	PC	4	-	2	-	MOVA EDE,PC	
&EDE	Rm	4	-	2	-	MOVA &EDE,R8	
	PC	4	-	2	-	MOVA &EDE,PC	

4.6 Instruction Set Description

The instruction map of the MSP430X shows all available instructions:

	000	040	080	0C0	100	140	180	1C0	200	240	280	2C0	300	340	380	3C0
0xxx	MOVA, CMPA, ADDA, SUBA, RRCM, RRAM, RLAM, RRUM															
10xx	RRC	RRC.B	SWPB		RRA	RRA.B	SXT		PUSH	PUSH.B	CALL		RETI	CALLA		
14xx	PUSHM.A, POPM.A, PUSHM.W, POPM.W															
18xx	Extension Word For Format I and Format II Instructions															
1Cxx																
20xx	JNE/JNZ															
24xx	JEQ/JZ															
28xx	JNC															
2Cxx	JC															
30xx	JN															
34xx	JGE															
38xx	JL															
3Cxx	JMP															
4xxx	MOV, MOV.B															
5xxx	ADD, ADD.B															
6xxx	ADDC, ADDC.B															
7xxx	SUBC, SUBC.B															
8xxx	SUB, SUB.B															
9xxx	CMP, CMP.B															
Axxx	DADD, DADD.B															
Bxxx	BIT, BIT.B															
Cxxx	BIC, BIC.B															
Dxxx	BIS, BIS.B															
Exxx	XOR, XOR.B															
Fxxx	AND, AND.B															

4.6.1 Extended Instruction Binary Descriptions

Detailed MSP430X instruction binary descriptions are shown below.

Instruction	Instruction Group				src or data.19:16	Instruction Identifier				dst	
	15	12	11	8	7	4	3	0			
MOVA	0	0	0	0	src	0	0	0	0	dst	MOVA @Rsrc,Rdst
	0	0	0	0	src	0	0	0	1	dst	MOVA @Rsrc+,Rdst
	0	0	0	0	&abs.19:16	0	0	1	0	dst	MOVA &abs20,Rdst
	&abs.15:0										
	0	0	0	0	src	0	0	1	1	dst	MOVA x(Rsrc),Rdst
	x.15:0										
	0	0	0	0	src	0	1	1	0	&abs.19:16	MOVA Rsrc,&abs20
	&abs.15:0										
	0	0	0	0	src	0	1	1	1	dst	MOVA Rsrc,X(Rdst)
	x.15:0										
CMPA	0	0	0	0	imm.19:16	1	0	0	0	dst	MOVA #imm20,Rdst
	imm.15:0										
	0	0	0	0	imm.19:16	1	0	0	1	dst	CMPA #imm20,Rdst
imm.15:0											
ADDA	0	0	0	0	imm.19:16	1	0	1	0	dst	ADDA #imm20,Rdst
	imm.15:0										
SUBA	0	0	0	0	imm.19:16	1	0	1	1	dst	SUBA #imm20,Rdst
	imm.15:0										
MOVA	0	0	0	0	src	1	1	0	0	dst	MOVA Rsrc,Rdst
CMPA	0	0	0	0	src	1	1	0	1	dst	CMPA Rsrc,Rdst
ADDA	0	0	0	0	src	1	1	1	0	dst	ADDA Rsrc,Rdst
SUBA	0	0	0	0	src	1	1	1	1	dst	SUBA Rsrc,Rdst

Instruction	Instruction Group				Bit loc.	Inst. ID	Instruction Identifier				dst		
	15	12	11	10	9	8	7	4	3	0			
RRCM.A	0	0	0	0	n-1	0	0	0	1	0	0	dst	RRCM.A #n,Rdst
RRAM.A	0	0	0	0	n-1	0	1	0	1	0	0	dst	RRAM.A #n,Rdst
RLAM.A	0	0	0	0	n-1	1	0	0	1	0	0	dst	RLAM.A #n,Rdst
RRUM.A	0	0	0	0	n-1	1	1	0	1	0	0	dst	RRUM.A #n,Rdst
RRCM.W	0	0	0	0	n-1	0	0	0	1	0	1	dst	RRCM.W #n,Rdst
RRAM.W	0	0	0	0	n-1	0	1	0	1	0	1	dst	RRAM.W #n,Rdst
RLAM.W	0	0	0	0	n-1	1	0	0	1	0	1	dst	RLAM.W #n,Rdst
RRUM.W	0	0	0	0	n-1	1	1	0	1	0	1	dst	RRUM.W #n,Rdst

Instruction	Instruction Identifier										dst								
	15	12	11	8	7	6	5	4	3	0									
RETI	0	0	0	1	0	0	1	1	0	0	0	0	0	0	0	0	0	0	
CALLA	0	0	0	1	0	0	1	1	0	1	0	0	dst				CALLA Rdst		
	0	0	0	1	0	0	1	1	0	1	0	1	dst				CALLA x(Rdst)		
	x.15:0																		
	0	0	0	1	0	0	1	1	0	1	1	0	dst				CALLA @Rdst		
	0	0	0	1	0	0	1	1	0	1	1	1	dst				CALLA @Rdst+		
	0	0	0	1	0	0	1	1	1	0	0	0	&abs.19:16				CALLA &abs20		
	&abs.15:0																		
	0	0	0	1	0	0	1	1	1	0	0	1	x.19:16				CALLA EDE		
	x.15:0																		
	0	0	0	1	0	0	1	1	1	0	1	1	imm.19:16				CALLA #imm20		
	imm.15:0																		
Reserved	0	0	0	1	0	0	1	1	1	0	1	0	x	x	x	x	x	x	
Reserved	0	0	0	1	0	0	1	1	1	1	x	x	x	x	x	x	x	x	
PUSHM.A	0	0	0	1	0	1	0	0	n-1				dst				PUSHM.A #n,Rdst		
PUSHM.W	0	0	0	1	0	1	0	1	n-1				dst				PUSHM.W #n,Rdst		
POPM.A	0	0	0	1	0	1	1	0	n-1				dst-n+1				POPM.A #n,Rdst		
POPM.W	0	0	0	1	0	1	1	1	n-1				dst-n+1				POPM.W #n,Rdst		

4.6.2 MSP430 Instructions

The MSP430 instructions are listed and described on the following pages.

* ADC[.W]	Add carry to destination
* ADC.B	Add carry to destination
Syntax	ADC dst or ADC.W dst ADC.B dst
Operation	dst + C -> dst
Emulation	ADDC #0,dst ADDC.B #0,dst
Description	The carry bit (C) is added to the destination operand. The previous contents of the destination are lost.
Status Bits	N: Set if result is negative, reset if positive Z: Set if result is zero, reset otherwise C: Set if dst was incremented from 0FFFFh to 0000, reset otherwise Set if dst was incremented from 0FFh to 00, reset otherwise V: Set if an arithmetic overflow occurs, otherwise reset
Mode Bits	OSCOFF, CPUOFF, and GIE are not affected.
Example	The 16-bit counter pointed to by R13 is added to a 32-bit counter pointed to by R12. ADD @R13,0(R12) ; Add LSDs ADC 2(R12) ; Add carry to MSD
Example	The 8-bit counter pointed to by R13 is added to a 16-bit counter pointed to by R12. ADD.B @R13,0(R12) ; Add LSDs ADC.B 1(R12) ; Add carry to MSD

ADD[.W]	Add source word to destination word
ADD.B	Add source byte to destination byte
Syntax	ADD src,dst or ADD.W src,dst ADD.B src,dst
Operation	src + dst → dst
Description	The source operand is added to the destination operand. The previous content of the destination is lost.
Status Bits	N: Set if result is negative (MSB = 1), reset if positive (MSB = 0) Z: Set if result is zero, reset otherwise C: Set if there is a carry from the MSB of the result, reset otherwise V: Set if the result of two positive operands is negative, or if the result of two negative numbers is positive, reset otherwise.
Mode Bits	OSCOFF, CPUOFF, and GIE are not affected.
Example	Ten is added to the 16-bit counter CNTR located in lower 64 K.
	<pre>ADD.W #10,&CNTR ; Add 10 to 16-bit counter</pre>
Example	A table word pointed to by R5 (20-bit address in R5) is added to R6. The jump to label TONI is performed on a carry.
	<pre>ADD.W @R5,R6 ; Add table word to R6. R6.19:16 = 0 JC TONI ; Jump if carry ... ; No carry</pre>
Example	A table byte pointed to by R5 (20-bit address) is added to R6. The jump to label TONI is performed if no carry occurs. The table pointer is auto-incremented by 1. R6.19:8 = 0
	<pre>ADD.B @R5+,R6 ; Add byte to R6. R5 + 1. R6: 000xxh JNC TONI ; Jump if no carry ... ; Carry occurred</pre>

ADDC[.W]	Add source word and carry to destination word
ADDC.B	Add source byte and carry to destination byte
Syntax	ADDC src,dst or ADDC.W src,dst ADDC.B src,dst
Operation	src + dst + C → dst
Description	The source operand and the carry bit C are added to the destination operand. The previous content of the destination is lost.
Status Bits	N: Set if result is negative (MSB = 1), reset if positive (MSB = 0) Z: Set if result is zero, reset otherwise C: Set if there is a carry from the MSB of the result, reset otherwise V: Set if the result of two positive operands is negative, or if the result of two negative numbers is positive, reset otherwise.
Mode Bits	OSCOFF, CPUOFF, and GIE are not affected.
Example	Constant value 15 and the carry of the previous instruction are added to the 16-bit counter CNTR located in lower 64 K.
	ADDC.W #15,&CNTR ; Add 15 + C to 16-bit CNTR
Example	A table word pointed to by R5 (20-bit address) and the carry C are added to R6. The jump to label TONI is performed on a carry. R6.19:16 = 0
	ADDC.W @R5,R6 ; Add table word + C to R6 JC TONI ; Jump if carry ... ; No carry
Example	A table byte pointed to by R5 (20-bit address) and the carry bit C are added to R6. The jump to label TONI is performed if no carry occurs. The table pointer is auto-incremented by 1. R6.19:8 = 0
	ADDC.B @R5+,R6 ; Add table byte + C to R6. R5 + 1 JNC TONI ; Jump if no carry ... ; Carry occurred

AND[.W]	Logical AND of source word with destination word
AND.B	Logical AND of source byte with destination byte
Syntax	AND src,dst or AND.W src,dst AND.B src,dst
Operation	src .and. dst → dst
Description	The source operand and the destination operand are logically ANDed. The result is placed into the destination. The source operand is not affected.
Status Bits	N: Set if result is negative (MSB = 1), reset if positive (MSB = 0) Z: Set if result is zero, reset otherwise C: Set if the result is not zero, reset otherwise. C = (.not. Z) V: Reset
Mode Bits	OSCOFF, CPUOFF, and GIE are not affected.
Example	<p>The bits set in R5 (16-bit data) are used as a mask (AA55h) for the word TOM located in the lower 64 K. If the result is zero, a branch is taken to label TONI. R5.19:16 = 0</p> <pre> MOV #AA55h,R5 ; Load 16-bit mask to R5 AND R5,&TOM ; TOM .and. R5 -> TOM JZ TONI ; Jump if result 0 ... ; Result > 0 </pre> <p>or shorter:</p> <pre> AND #AA55h,&TOM ; TOM .and. AA55h -> TOM JZ TONI ; Jump if result 0 </pre>
Example	<p>A table byte pointed to by R5 (20-bit address) is logically ANDed with R6. R5 is incremented by 1 after the fetching of the byte. R6.19:8 = 0</p> <pre> AND.B @R5+,R6 ; AND table byte with R6. R5 + 1 </pre>

BIC[W]	Clear bits set in source word in destination word
BIC.B	Clear bits set in source byte in destination byte
Syntax	BIC src,dst or BIC.W src,dst BIC.B src,dst
Operation	(.not. src) .and. dst → dst
Description	The inverted source operand and the destination operand are logically ANDed. The result is placed into the destination. The source operand is not affected.
Status Bits	N: Not affected Z: Not affected C: Not affected V: Not affected
Mode Bits	OSCOFF, CPUOFF, and GIE are not affected.
Example	The bits 15:14 of R5 (16-bit data) are cleared. R5.19:16 = 0
	BIC #0C000h,R5 ; Clear R5.19:14 bits
Example	A table word pointed to by R5 (20-bit address) is used to clear bits in R7. R7.19:16 = 0
	BIC.W @R5,R7 ; Clear bits in R7 set in @R5
Example	A table byte pointed to by R5 (20-bit address) is used to clear bits in Port1.
	BIC.B @R5,&P1OUT ; Clear I/O port P1 bits set in @R5

BIS[.W]	Set bits set in source word in destination word
BIS.B	Set bits set in source byte in destination byte
Syntax	BIS src,dst or BIS.W src,dst BIS.B src,dst
Operation	src .or. dst → dst
Description	The source operand and the destination operand are logically ORed. The result is placed into the destination. The source operand is not affected.
Status Bits	N: Not affected Z: Not affected C: Not affected V: Not affected
Mode Bits	OSCOFF, CPUOFF, and GIE are not affected.
Example	Bits 15 and 13 of R5 (16-bit data) are set to one. R5.19:16 = 0
	 BIS #A000h,R5 ; Set R5 bits
Example	A table word pointed to by R5 (20-bit address) is used to set bits in R7. R7.19:16 = 0
	 BIS.W @R5,R7 ; Set bits in R7
Example	A table byte pointed to by R5 (20-bit address) is used to set bits in Port1. R5 is incremented by 1 afterwards.
	 BIS.B @R5+,&P1OUT ; Set I/O port P1 bits. R5 + 1

BIT[.W]	Test bits set in source word in destination word
BIT.B	Test bits set in source byte in destination byte
Syntax	BIT src,dst or BIT.W src,dst BIT.B src,dst
Operation	src .and. dst
Description	The source operand and the destination operand are logically ANDed. The result affects only the status bits in SR. Register Mode: the register bits Rdst.19:16 (.W) resp. Rdst. 19:8 (.B) are not cleared!
Status Bits	N: Set if result is negative (MSB = 1), reset if positive (MSB = 0) Z: Set if result is zero, reset otherwise C: Set if the result is not zero, reset otherwise. C = (.not. Z) V: Reset
Mode Bits	OSCOFF, CPUOFF, and GIE are not affected.
Example	Test if one – or both – of bits 15 and 14 of R5 (16-bit data) is set. Jump to label TONI if this is the case. R5.19:16 are not affected. <pre> BIT #C000h,R5 ; Test R5.15:14 bits JNZ TONI ; At least one bit is set in R5 ... ; Both bits are reset </pre>
Example	A table word pointed to by R5 (20-bit address) is used to test bits in R7. Jump to label TONI if at least one bit is set. R7.19:16 are not affected. <pre> BIT.W @R5,R7 ; Test bits in R7 JC TONI ; At least one bit is set ... ; Both are reset </pre>
Example	A table byte pointed to by R5 (20-bit address) is used to test bits in output Port1. Jump to label TONI if no bit is set. The next table byte is addressed. <pre> BIT.B @R5+,&P1OUT ; Test I/O port P1 bits. R5 + 1 JNC TONI ; No corresponding bit is set ... ; At least one bit is set </pre>

* BR, BRANCH	Branch to destination in lower 64K address space	
Syntax	BR	dst
Operation	dst → PC	
Emulation	MOV	dst,PC
Description	An unconditional branch is taken to an address anywhere in the lower 64K address space. All source addressing modes can be used. The branch instruction is a word instruction.	
Status Bits	Status bits are not affected.	
Example	Examples for all addressing modes are given.	
	BR	#EXEC ;Branch to label EXEC or direct branch (e.g. #0A4h) ; Core instruction MOV @PC+,PC
	BR	EXEC ; Branch to the address contained in EXEC ; Core instruction MOV X(PC),PC ; Indirect address
	BR	&EXEC ; Branch to the address contained in absolute ; address EXEC ; Core instruction MOV X(0),PC ; Indirect address
	BR	R5 ; Branch to the address contained in R5 ; Core instruction MOV R5,PC ; Indirect R5
	BR	@R5 ; Branch to the address contained in the word ; pointed to by R5. ; Core instruction MOV @R5,PC ; Indirect, indirect R5
	BR	@R5+ ; Branch to the address contained in the word pointed ; to by R5 and increment pointer in R5 afterwards. ; The next time—S/W flow uses R5 pointer—it can ; alter program execution due to access to ; next address in a table pointed to by R5 ; Core instruction MOV @R5,PC ; Indirect, indirect R5 with autoincrement
	BR	X(R5) ; Branch to the address contained in the address ; pointed to by R5 + X (e.g. table with address ; starting at X). X can be an address or a label ; Core instruction MOV X(R5),PC ; Indirect, indirect R5 + X

CALL	Call a Subroutine in lower 64 K
Syntax	CALL dst
Operation	dst → tmp 16-bit dst is evaluated and stored SP - 2 → SP PC → @SP updated PC with return address to TOS tmp → PC saved 16-bit dst to PC
Description	A subroutine call is made from an address in the lower 64 K to a subroutine address in the lower 64 K. All seven source addressing modes can be used. The call instruction is a word instruction. The return is made with the RET instruction.
Status Bits	Not affected PC.19:16: Cleared (address in lower 64 K)
Mode Bits	OSCOFF, CPUOFF, and GIE are not affected.
Examples	Examples for all addressing modes are given. Immediate Mode: Call a subroutine at label EXEC (lower 64 K) or call directly to address. CALL #EXEC ; Start address EXEC CALL #0AA04h ; Start address 0AA04h Symbolic Mode: Call a subroutine at the 16-bit address contained in address EXEC. EXEC is located at the address (PC + X) where X is within PC±32 K. CALL EXEC ; Start address at @EXEC. z16(PC) Absolute Mode: Call a subroutine at the 16-bit address contained in absolute address EXEC in the lower 64 K. CALL &EXEC ; Start address at @EXEC Register Mode: Call a subroutine at the 16-bit address contained in register R5.15:0. CALL R5 ; Start address at R5 Indirect Mode: Call a subroutine at the 16-bit address contained in the word pointed to by register R5 (20-bit address). CALL @R5 ; Start address at @R5

* CLR[.W]	Clear destination
* CLR.B	Clear destination
Syntax	CLR dst or CLR.W dst CLR.B dst
Operation	0 -> dst
Emulation	MOV #0,dst MOV.B #0,dst
Description	The destination operand is cleared.
Status Bits	Status bits are not affected.
Example	RAM word TONI is cleared. CLR TONI ; 0 -> TONI
Example	Register R5 is cleared. CLR R5
Example	RAM byte TONI is cleared. CLR.B TONI ; 0 -> TONI

* CLRC	Clear carry bit
Syntax	CLRC
Operation	0 → C
Emulation	BIC #1,SR
Description	The carry bit (C) is cleared. The clear carry instruction is a word instruction.
Status Bits	N: Not affected Z: Not affected C: Cleared V: Not affected
Mode Bits	OSCOFF, CPUOFF, and GIE are not affected.
Example	The 16-bit decimal counter pointed to by R13 is added to a 32-bit counter pointed to by R12. CLRC ; C=0: defines start DADD @R13,0(R12) ; add 16-bit counter to low word of 32-bit counter DADC 2(R12) ; add carry to high word of 32-bit counter

* CLRN	Clear negative bit
Syntax	CLRN
Operation	0 → N or (.NOT.src .AND. dst → dst)
Emulation	BIC #4,SR
Description	The constant 04h is inverted (0FFFFh) and is logically ANDed with the destination operand. The result is placed into the destination. The clear negative bit instruction is a word instruction.
Status Bits	N: Reset to 0 Z: Not affected C: Not affected V: Not affected
Mode Bits	OSCOFF, CPUOFF, and GIE are not affected.
Example	The Negative bit in the status register is cleared. This avoids special treatment with negative numbers of the subroutine called.
	CLRN
	CALL SUBR

SUBR	JN SUBRET ; If input is negative: do nothing and return

SUBRET	RET

* CLRZ	Clear zero bit
Syntax	CLRZ
Operation	0 → Z or (.NOT.src .AND. dst → dst)
Emulation	BIC #2,SR
Description	The constant 02h is inverted (0FFFDh) and logically ANDed with the destination operand. The result is placed into the destination. The clear zero bit instruction is a word instruction.
Status Bits	N: Not affected Z: Reset to 0 C: Not affected V: Not affected
Mode Bits	OSCOFF, CPUOFF, and GIE are not affected.
Example	The zero bit in the status register is cleared. CLRZ Indirect, Auto-Increment mode: Call a subroutine at the 16-bit address contained in the word pointed to by register R5 (20-bit address) and increment the 16-bit address in R5 afterwards by 2. The next time the software uses R5 as a pointer, it can alter the program execution due to access to the next word address in the table pointed to by R5. CALL @R5+ ; Start address at @R5. R5 + 2 Indexed mode: Call a subroutine at the 16-bit address contained in the 20-bit address pointed to by register (R5 + X), e.g. a table with addresses starting at X. The address is within the lower 64 KB. X is within ±32 KB. CALL X(R5) ; Start address at @(R5+X). z16(R5)

CMP[.W]	Compare source word and destination word
CMP.B	Compare source byte and destination byte
Syntax	CMP src,dst or CMP.W src,dst CMP.B src,dst
Operation	(.not.src) + 1 + dst or dst – src
Description	The source operand is subtracted from the destination operand. This is made by adding the 1's complement of the source + 1 to the destination. The result affects only the status bits in SR. Register Mode: the register bits Rdst.19:16 (.W) resp. Rdst. 19:8 (.B) are not cleared.
Status Bits	N: Set if result is negative (src > dst), reset if positive (src = dst) Z: Set if result is zero (src = dst), reset otherwise (src ≠ dst) C: Set if there is a carry from the MSB, reset otherwise V: Set if the subtraction of a negative source operand from a positive destination operand delivers a negative result, or if the subtraction of a positive source operand from a negative destination operand delivers a positive result, reset otherwise (no overflow).
Mode Bits	OSCOFF, CPUOFF, and GIE are not affected.
Example	Compare word EDE with a 16-bit constant 1800h. Jump to label TONI if EDE equals the constant. The address of EDE is within PC ± 32 K. CMP #01800h,EDE ; Compare word EDE with 1800h JEQ TONI ; EDE contains 1800h ... ; Not equal
Example	A table word pointed to by (R5 + 10) is compared with R7. Jump to label TONI if R7 contains a lower, signed 16-bit number. R7.19:16 is not cleared. The address of the source operand is a 20-bit address in full memory range. CMP.W 10(R5),R7 ; Compare two signed numbers JL TONI ; R7 < 10(R5) ... ; R7 >= 10(R5)
Example	A table byte pointed to by R5 (20-bit address) is compared to the value in output Port1. Jump to label TONI if values are equal. The next table byte is addressed. CMP.B @R5+,&P1OUT ; Compare P1 bits with table. R5 + 1 JEQ TONI ; Equal contents ... ; Not equal

* DADC[.W]	Add carry decimally to destination
* DADC.B	Add carry decimally to destination
Syntax	DADC dst or DADC.W src,dst DADC.B dst
Operation	dst + C -> dst (decimally)
Emulation	DADD #0,dst DADD.B #0,dst
Description	The carry bit (C) is added decimally to the destination.
Status Bits	N: Set if MSB is 1 Z: Set if dst is 0, reset otherwise C: Set if destination increments from 9999 to 0000, reset otherwise Set if destination increments from 99 to 00, reset otherwise V: Undefined
Mode Bits	OSCOFF, CPUOFF, and GIE are not affected.
Example	The four-digit decimal number contained in R5 is added to an eight-digit decimal number pointed to by R8.
	CLRC ; Reset carry ; next instruction's start condition is defined DADD R5,0(R8) ; Add LSDs + C DADC 2(R8) ; Add carry to MSD
Example	The two-digit decimal number contained in R5 is added to a four-digit decimal number pointed to by R8.
	CLRC ; Reset carry ; next instruction's start condition is defined DADD.B R5,0(R8) ; Add LSDs + C DADC 1(R8) ; Add carry to MSDs

DADD[.W]	Add source word and carry decimally to destination word
DADD.B	Add source byte and carry decimally to destination byte
Syntax	DADD src,dst or DADD.W src,dst DADD.B src,dst
Operation	src + dst + C → dst (decimally)
Description	The source operand and the destination operand are treated as two (.B) or four (.W) binary coded decimals (BCD) with positive signs. The source operand and the carry bit C are added decimally to the destination operand. The source operand is not affected. The previous content of the destination is lost. The result is not defined for non-BCD numbers.
Status Bits	N: Set if MSB of result is 1 (word > 7999h, byte > 79h), reset if MSB is 0. Z: Set if result is zero, reset otherwise C: Set if the BCD result is too large (word > 9999h, byte > 99h), reset otherwise V: Undefined
Mode Bits	OSCOFF, CPUOFF, and GIE are not affected.
Example	Decimal 10 is added to the 16-bit BCD counter DECCNTR.
Example	<pre>DADD #10h,&DECCNTR ; Add 10 to 4-digit BCD counter</pre> <p>The eight-digit BCD number contained in 16-bit RAM addresses BCD and BCD+2 is added decimally to an eight-digit BCD number contained in R4 and R5 (BCD+2 and R5 contain the MSDs). The carry C is added, and cleared.</p> <pre>CLRC ; Clear carry DADD.W &BCD,R4 ; Add LSDs. R4.19:16 = 0 DADD.W &BCD+2,R5 ; Add MSDs with carry. R5.19:16 = 0 JC OVERFLOW ; Result >9999,9999: go to error routine ... ; Result ok</pre>
Example	<p>The two-digit BCD number contained in word BCD (16-bit address) is added decimally to a two-digit BCD number contained in R4. The carry C is added, also. R4.19:8 = 0</p> <pre>CLRC ; Clear carry DADD.B &BCD,R4 ; Add BCD to R4 decimally. R4: 0,00ddh</pre>

* DEC[.W]	Decrement destination
* DEC.B	Decrement destination
Syntax	DEC dst or DEC.W dst DEC.B dst
Operation	dst - 1 -> dst
Emulation	SUB #1,dst
Emulation	SUB.B #1,dst
Description	The destination operand is decremented by one. The original contents are lost.
Status Bits	N: Set if result is negative, reset if positive Z: Set if dst contained 1, reset otherwise C: Reset if dst contained 0, set otherwise V: Set if an arithmetic overflow occurs, otherwise reset. Set if initial value of destination was 08000h, otherwise reset. Set if initial value of destination was 080h, otherwise reset.
Mode Bits	OSCOFF, CPUOFF, and GIE are not affected.
Example	R10 is decremented by 1 DEC R10 ; Decrement R10

; Move a block of 255 bytes from memory location starting with EDE to memory location starting with ;TONI. Tables should not overlap: start of destination address TONI must not be within the range EDE ; to EDE+0FEh
;
;

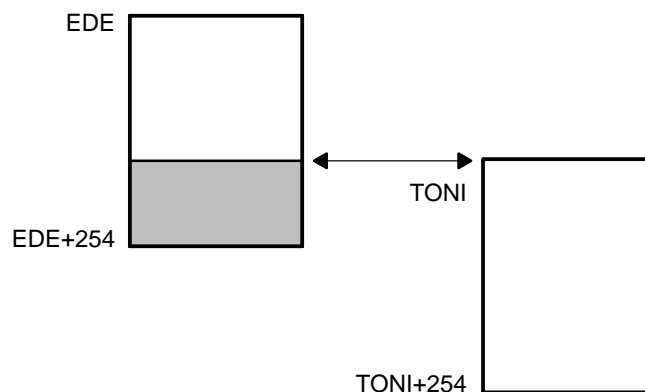
```

MOV        #EDE,R6
MOV        #255,R10
L$1        MOV.B     @R6+,TONI-EDE-1(R6)
DEC        R10
JNZ        L$1

```

; Do not transfer tables using the routine above with the overlap shown in Figure 4-36.

Figure 4-36. Decrement Overlap



* DECD[.W]	Double-decrement destination
* DECD.B	Double-decrement destination
Syntax	DECD dst or DECD.W dst DECD.B dst
Operation	dst – 2 → dst
Emulation	SUB #2,dst
Emulation	SUB.B #2,dst
Description	The destination operand is decremented by two. The original contents are lost.
Status Bits	N: Set if result is negative, reset if positive Z: Set if dst contained 2, reset otherwise C: Reset if dst contained 0 or 1, set otherwise V: Set if an arithmetic overflow occurs, otherwise reset. Set if initial value of destination was 08001 or 08000h, otherwise reset. Set if initial value of destination was 081 or 080h, otherwise reset.
Mode Bits	OSCOFF, CPUOFF, and GIE are not affected.
Example	R10 is decremented by 2.

```
                  DECD        R10            ; Decrement R10 by two
```

```
; Move a block of 255 words from memory location starting with EDE to memory location
; starting with TONI
; Tables should not overlap: start of destination address TONI must not be within the
; range EDE to EDE+0FEh
;
```

```
                  MOV        #EDE,R6
                  MOV        #510,R10
L$1               MOV        @R6+,TONI-EDE-2(R6)
                  DECD        R10
                  JNZ        L$1
```

Example Memory at location LEO is decremented by two.

```
                  DECD.B     LEO            ; Decrement MEM(LEO)
```

```
Decrement status byte STATUS by two.
```

```
                  DECD.B     STATUS
```

* DINT	Disable (general) interrupts
Syntax	DINT
Operation	0 → GIE or (0FFF7h .AND. SR → SR / .NOT.src .AND. dst → dst)
Emulation	BIC #8,SR
Description	All interrupts are disabled. The constant 08h is inverted and logically ANDed with the status register (SR). The result is placed into the SR.
Status Bits	Status bits are not affected.
Mode Bits	GIE is reset. OSCOFF and CPUOFF are not affected.
Example	The general interrupt enable (GIE) bit in the status register is cleared to allow a nondisrupted move of a 32-bit counter. This ensures that the counter is not modified during the move by any interrupt. <pre>DINT ; All interrupt events using the GIE bit are disabled NOP MOV COUNTHI,R5 ; Copy counter MOV COUNTLO,R6 EINT ; All interrupt events using the GIE bit are enabled</pre>

Note: Disable Interrupt

If any code sequence needs to be protected from interruption, the DINT should be executed at least one instruction before the beginning of the uninterruptible sequence, or should be followed by a NOP instruction.

* EINT	Enable (general) interrupts
Syntax	EINT
Operation	1 → GIE or (0008h .OR. SR → SR / .src .OR. dst → dst)
Emulation	BIS #8,SR
Description	All interrupts are enabled. The constant #08h and the status register SR are logically ORed. The result is placed into the SR.
Status Bits	Status bits are not affected.
Mode Bits	GIE is set. OSCOFF and CPUOFF are not affected.
Example	The general interrupt enable (GIE) bit in the status register is set.

```

; Interrupt routine of ports P1.2 to P1.7
; P1IN is the address of the register where all port bits are read. P1IFG is the address of
; the register where all interrupt events are latched.
;
      PUSH.B  &P1IN
      BIC.B   @SP,&P1IFG ; Reset only accepted flags
      EINT   ; Preset port 1 interrupt flags stored on stack
            ; other interrupts are allowed
      BIT    #Mask,@SP
      JEQ   MaskOK ; Flags are present identically to mask: jump
      .....
MaskOK   BIC    #Mask,@SP
      .....
      INCD   SP ; Housekeeping: inverse to PUSH instruction
            ; at the start of interrupt subroutine. Corrects
            ; the stack pointer.

      RETI

```

Note: Enable Interrupt

The instruction following the enable interrupt instruction (EINT) is always executed, even if an interrupt service request is pending when the interrupts are enable.

* INC[.W]	Increment destination
* INC.B	Increment destination
Syntax	INC dst or INC.W dst INC.B dst
Operation	dst + 1 -> dst
Emulation	ADD #1,dst
Description	The destination operand is incremented by one. The original contents are lost.
Status Bits	N: Set if result is negative, reset if positive Z: Set if dst contained 0FFFFh, reset otherwise Set if dst contained 0FFh, reset otherwise C: Set if dst contained 0FFFFh, reset otherwise Set if dst contained 0FFh, reset otherwise V: Set if dst contained 07FFFh, reset otherwise Set if dst contained 07Fh, reset otherwise
Mode Bits	OSCOFF, CPUOFF, and GIE are not affected.
Example	The status byte, STATUS, of a process is incremented. When it is equal to 11, a branch to OVFL is taken.
	INC.B STATUS CMP.B #11,STATUS JEQ OVFL

* INCD[W]	Double-increment destination
* INCD.B	Double-increment destination
Syntax	INCD dst or INCD.W dst INCD.B dst
Operation	dst + 2 -> dst
Emulation	ADD #2,dst
Emulation	ADD.B #2,dst
Example	The destination operand is incremented by two. The original contents are lost.
Status Bits	N: Set if result is negative, reset if positive Z: Set if dst contained 0FFFEh, reset otherwise Set if dst contained 0FEh, reset otherwise C: Set if dst contained 0FFFEh or 0FFFFh, reset otherwise Set if dst contained 0FEh or 0FFh, reset otherwise V: Set if dst contained 07FFEh or 07FFFh, reset otherwise Set if dst contained 07Eh or 07Fh, reset otherwise
Mode Bits	OSCOFF, CPUOFF, and GIE are not affected.
Example	The item on the top of the stack (TOS) is removed without using a register.

	PUSH R5 ; R5 is the result of a calculation, which is stored ; in the system stack
	INCD SP ; Remove TOS by double-increment from stack ; Do not use INCD.B, SP is a word-aligned ; register
	RET
Example	The byte on the top of the stack is incremented by two.
	INCD.B 0(SP) ; Byte on TOS is increment by two

* INV[.W]	Invert destination
* INV.B	Invert destination
Syntax	INV dst INV.B dst
Operation	.NOT.dst -> dst
Emulation	XOR #0FFFFh,dst
Emulation	XOR.B #0FFh,dst
Description	The destination operand is inverted. The original contents are lost.
Status Bits	N: Set if result is negative, reset if positive Z: Set if dst contained 0FFFFh, reset otherwise Set if dst contained 0FFh, reset otherwise C: Set if result is not zero, reset otherwise (= .NOT. Zero) Set if result is not zero, reset otherwise (= .NOT. Zero) V: Set if initial destination operand was negative, otherwise reset
Mode Bits	OSCOFF, CPUOFF, and GIE are not affected.
Example	Content of R5 is negated (twos complement). MOV #00AEh,R5 ; R5 = 000AEh INV R5 ; Invert R5, R5 = 0FF51h INC R5 ; R5 is now negated, R5 = 0FF52h
Example	Content of memory byte LEO is negated. MOV.B #0AEh,LEO ; MEM(LEO) = 0AEh INV.B LEO ; Invert LEO, MEM(LEO) = 051h INC.B LEO ; MEM(LEO) is negated, MEM(LEO) = 052h

JC	Jump if carry
JHS	Jump if Higher or Same (unsigned)
Syntax	JC label JHS label
Operation	If C = 1: PC + (2 × Offset) → PC If C = 0: execute the following instruction
Description	The carry bit C in the status register is tested. If it is set, the signed 10-bit word offset contained in the instruction is multiplied by two, sign extended, and added to the 20-bit program counter PC. This means a jump in the range -511 to +512 words relative to the PC in the full memory range. If C is reset, the instruction after the jump is executed. JC is used for the test of the carry bit C JHS is used for the comparison of unsigned numbers
Status Bits	Status bits are not affected
Mode Bits	OSCOFF, CPUOFF, and GIE are not affected
Example	The state of the port 1 pin P1IN.1 bit defines the program flow. <pre> BIT.B #2,&P1IN ; Port 1, bit 1 set? Bit -> C JC Label1 ; Yes, proceed at Label1 ... ; No, continue </pre>
Example	If $R5 \geq R6$ (unsigned) the program continues at Label2 <pre> CMP R6,R5 ; Is R5 ≥ R6? Info to C JHS Label2 ; Yes, C = 1 ... ; No, R5 < R6. Continue </pre>
Example	If $R5 \geq 12345h$ (unsigned operands) the program continues at Label2 <pre> CMPA #12345h,R5 ; Is R5 ≥ 12345h? Info to C JHS Label2 ; Yes, 12344h < R5 ≤ F,FFFFh. C = 1 ... ; No, R5 < 12345h. Continue </pre>

JEQ,JZ	Jump if equal,Jump if zero
Syntax	JZ label JEQ label
Operation	If Z = 1: PC + (2 × Offset) → PC If Z = 0: execute following instruction
Description	The Zero bit Z in the status register is tested. If it is set, the signed 10-bit word offset contained in the instruction is multiplied by two, sign extended, and added to the 20-bit program counter PC. This means a jump in the range -511 to +512 words relative to the PC in the full memory range. If Z is reset, the instruction after the jump is executed. JZ is used for the test of the Zero bit Z JEQ is used for the comparison of operands
Status Bits	Status bits are not affected
Mode Bits	OSCOFF, CPUOFF, and GIE are not affected
Example	The state of the P2IN.0 bit defines the program flow <pre> BIT.B #1,&P2IN ; Port 2, bit 0 reset? JZ Label1 ; Yes, proceed at Label1 ... ; No, set, continue </pre>
Example	If R5 = 15000h (20-bit data) the program continues at Label2 <pre> CMPA #15000h,R5 ; Is R5 = 15000h? Info to SR JEQ Label2 ; Yes, R5 = 15000h. Z = 1 ... ; No, R5 ≠ 15000h. Continue </pre>
Example	R7 (20-bit counter) is incremented. If its content is zero, the program continues at Label4. <pre> ADDA #1,R7 ; Increment R7 JZ Label4 ; Zero reached: Go to Label4 ... ; R7 ≠ 0. Continue here. </pre>

JGE	Jump if Greater or Equal (signed)	
Syntax	JGE	label
Operation	If (N .xor. V) = 0:	PC + (2 × Offset) → PC
	If (N .xor. V) = 1:	execute following instruction
Description	<p>The negative bit N and the overflow bit V in the status register are tested. If both bits are set or both are reset, the signed 10-bit word offset contained in the instruction is multiplied by two, sign extended, and added to the 20-bit program counter PC. This means a jump in the range -511 to +512 words relative to the PC in full Memory range. If only one bit is set, the instruction after the jump is executed.</p> <p>JGE is used for the comparison of signed operands: also for incorrect results due to overflow, the decision made by the JGE instruction is correct.</p> <p>Note: JGE emulates the non-implemented JP (jump if positive) instruction if used after the instructions AND, BIT, RRA, SXTX and TST. These instructions clear the V-bit.</p>	
Status Bits	Status bits are not affected	
Mode Bits	OSCOFF, CPUOFF, and GIE are not affected	
Example	<p>If byte EDE (lower 64 K) contains positive data, go to Label1. Software can run in the full memory range.</p> <pre>TST.B &EDE ; Is EDE positive? V <- 0 JGE Label1 ; Yes, JGE emulates JP ... ; No, 80h <= EDE <= FFh</pre>	
Example	<p>If the content of R6 is greater than or equal to the memory pointed to by R7, the program continues a Label5. Signed data. Data and program in full memory range.</p> <pre>CMP @R7,R6 ; Is R6 ≥ @R7? JGE Label5 ; Yes, go to Label5 ... ; No, continue here.</pre>	
Example	<p>If R5 ≥ 12345h (signed operands) the program continues at Label2. Program in full memory range.</p> <pre>CMPA #12345h,R5 ; Is R5 ≥ 12345h? JGE Label2 ; Yes, 12344h < R5 <= 7FFFFh. ... ; No, 80000h <= R5 < 12345h.</pre>	

JL	Jump if Less (signed)
Syntax	JL label
Operation	If (N .xor. V) = 1: PC + (2 × Offset) → PC If (N .xor. V) = 0: execute following instruction
Description	<p>The negative bit N and the overflow bit V in the status register are tested. If only one is set, the signed 10-bit word offset contained in the instruction is multiplied by two, sign extended, and added to the 20-bit program counter PC. This means a jump in the range -511 to +512 words relative to the PC in full memory range. If both bits N and V are set or both are reset, the instruction after the jump is executed.</p> <p>JL is used for the comparison of signed operands: also for incorrect results due to overflow, the decision made by the JL instruction is correct.</p>
Status Bits	Status bits are not affected
Mode Bits	OSCOFF, CPUOFF, and GIE are not affected
Example	<p>If byte EDE contains a smaller, signed operand than byte TONI, continue at Label1. The address EDE is within PC ± 32 K.</p> <pre>CMP.B &TONI,EDE ; Is EDE < TONI JL Label1 ; Yes ... ; No, TONI <= EDE</pre>
Example	<p>If the signed content of R6 is less than the memory pointed to by R7 (20-bit address) the program continues at Label Label5. Data and program in full memory range.</p> <pre>CMP @R7,R6 ; Is R6 < @R7? JL Label5 ; Yes, go to Label5 ... ; No, continue here.</pre>
Example	<p>If R5 < 12345h (signed operands) the program continues at Label2. Data and program in full memory range.</p> <pre>CMPA #12345h,R5 ; Is R5 < 12345h? JL Label2 ; Yes, 80000h =< R5 < 12345h. ... ; No, 12344h < R5 =< 7FFFFh.</pre>

JMP	Jump unconditionally
Syntax	JMP label
Operation	PC + (2 × Offset) → PC
Description	The signed 10-bit word offset contained in the instruction is multiplied by two, sign extended, and added to the 20-bit program counter PC. This means an unconditional jump in the range -511 to +512 words relative to the PC in the full memory. The JMP instruction may be used as a BR or BRA instruction within its limited range relative to the program counter.
Status Bits	Status bits are not affected
Mode Bits	OSCOFF, CPUOFF, and GIE are not affected
Example	The byte STATUS is set to 10. Then a jump to label MAINLOOP is made. Data in lower 64 K, program in full memory range.
	<pre> MOV.B #10,&STATUS ; Set STATUS to 10 JMP MAINLOOP ; Go to main loop </pre>
Example	The interrupt vector TAIV of Timer_A3 is read and used for the program flow. Program in full memory range, but interrupt handlers always starts in lower 64K.
	<pre> ADD &TAIV,PC ; Add Timer_A interrupt vector to PC RETI ; No Timer_A interrupt pending JMP IHCCR1 ; Timer block 1 caused interrupt JMP IHCCR2 ; Timer block 2 caused interrupt RETI ; No legal interrupt, return </pre>

JN	Jump if Negative	
Syntax	JN	label
Operation	If N = 1:	PC + (2 × Offset) → PC
	If N = 0:	execute following instruction
Description	The negative bit N in the status register is tested. If it is set, the signed 10-bit word offset contained in the instruction is multiplied by two, sign extended, and added to the 20-bit program counter PC. This means a jump in the range -511 to +512 words relative to the PC in the full memory range. If N is reset, the instruction after the jump is executed.	
Status Bits	Status bits are not affected	
Mode Bits	OSCOFF, CPUOFF, and GIE are not affected	
Example	The byte COUNT is tested. If it is negative, program execution continues at Label0. Data in lower 64 K, program in full memory range.	
	TST.B	&COUNT ; Is byte COUNT negative?
	JN	Label0 ; Yes, proceed at Label0
	...	; COUNT ≥ 0
Example	R6 is subtracted from R5. If the result is negative, program continues at Label2. Program in full memory range.	
	SUB	R6,R5 ; R5 - R6 -> R5
	JN	Label2 ; R5 is negative: R6 > R5 (N = 1)
	...	; R5 ≥ 0. Continue here.
Example	R7 (20-bit counter) is decremented. If its content is below zero, the program continues at Label4. Program in full memory range.	
	SUBA	#1,R7 ; Decrement R7
	JN	Label4 ; R7 < 0: Go to Label4
	...	; R7 ≥ 0. Continue here.

JNC	Jump if No carry
JLO	Jump if lower (unsigned)
Syntax	JNC label JLO label
Operation	If C = 0: PC + (2 × Offset) → PC If C = 1: execute following instruction
Description	<p>The carry bit C in the status register is tested. If it is reset, the signed 10-bit word offset contained in the instruction is multiplied by two, sign extended, and added to the 20-bit program counter PC. This means a jump in the range -511 to +512 words relative to the PC in the full memory range. If C is set, the instruction after the jump is executed.</p> <p>JNC is used for the test of the carry bit C</p> <p>JLO is used for the comparison of unsigned numbers .</p>
Status Bits	Status bits are not affected
Mode Bits	OSCOFF, CPUOFF, and GIE are not affected
Example	<p>If byte EDE < 15 the program continues at Label2. Unsigned data. Data in lower 64 K, program in full memory range.</p> <pre> CMP.B #15,&EDE ; Is EDE < 15? Info to C JLO Label2 ; Yes, EDE < 15. C = 0 ... ; No, EDE ≥ 15. Continue </pre>
Example	<p>The word TONI is added to R5. If no carry occurs, continue at Label0. The address of TONI is within PC ± 32 K.</p> <pre> ADD TONI,R5 ; TONI + R5 -> R5. Carry -> C JNC Label0 ; No carry ... ; Carry = 1: continue here </pre>

JNZ	Jump if Not Zero
JNE	Jump if Not Equal
Syntax	JNZ label JNE label
Operation	If Z = 0: PC + (2 × Offset) → PC If Z = 1: execute following instruction
Description	The zero bit Z in the status register is tested. If it is reset, the signed 10-bit word offset contained in the instruction is multiplied by two, sign extended, and added to the 20-bit program counter PC. This means a jump in the range -511 to +512 words relative to the PC in the full memory range. If Z is set, the instruction after the jump is executed. JNZ is used for the test of the Zero bit Z JNE is used for the comparison of operands
Status Bits	Status bits are not affected
Mode Bits	OSCOFF, CPUOFF, and GIE are not affected
Example	The byte STATUS is tested. If it is not zero, the program continues at Label3. The address of STATUS is within PC ± 32 K. <pre>TST.B STATUS ; Is STATUS = 0? JNZ Label3 ; No, proceed at Label3 ... ; Yes, continue here</pre>
Example	If word EDE ≠ 1500 the program continues at Label2. Data in lower 64 K, program in full memory range. <pre>CMP #1500,&EDE ; Is EDE = 1500? Info to SR JNE Label2 ; No, EDE ≠ 1500. ... ; Yes, R5 = 1500. Continue</pre>
Example	R7 (20-bit counter) is decremented. If its content is not zero, the program continues at Label4. Program in full memory range. <pre>SUBA #1,R7 ; Decrement R7 JNZ Label4 ; Zero not reached: Go to Label4 ... ; Yes, R7 = 0. Continue here.</pre>

MOV[.W]	Move source word to destination word
MOV.B	Move source byte to destination byte
Syntax	MOV src,dst or MOV.W src,dst MOV.B src,dst
Operation	src → dst
Description	The source operand is copied to the destination. The source operand is not affected.
Status Bits	N: Not affected Z: Not affected C: Not affected V: Not affected
Mode Bits	OSCOFF, CPUOFF, and GIE are not affected.
Example	Move a 16-bit constant 1800h to absolute address-word EDE (lower 64 K).
	MOV #01800h,&EDE ; Move 1800h to EDE
Example	The contents of table EDE (word data, 16-bit addresses) are copied to table TOM. The length of the tables is 030h words. Both tables reside in the lower 64K.
	MOV #EDE,R10 ; Prepare pointer (16-bit address)
Loop	MOV @R10+,TOM-EDE-2(R10) ; R10 points to both tables. R10+2
	CMP #EDE+60h,R10 ; End of table reached?
	JLO Loop ; Not yet
	... ; Copy completed
Example	The contents of table EDE (byte data, 16-bit addresses) are copied to table TOM. The length of the tables is 020h bytes. Both tables may reside in full memory range, but must be within R10 ±32 K.
	MOVA #EDE,R10 ; Prepare pointer (20-bit)
	MOV #20h,R9 ; Prepare counter
Loop	MOV.B @R10+,TOM-EDE-1(R10) ; R10 points to both tables. R10+1
	DEC R9 ; Decrement counter
	JNZ Loop ; Not yet done
	... ; Copy completed

* NOP	No operation
Syntax	NOP
Operation	None
Emulation	MOV #0, R3
Description	No operation is performed. The instruction may be used for the elimination of instructions during the software check or for defined waiting times.
Status Bits	Status bits are not affected.

* POP[.W]	Pop word from stack to destination
* POP.B	Pop byte from stack to destination
Syntax	POP dst POP.B dst
Operation	@SP -> temp SP + 2 -> SP temp -> dst
Emulation	MOV @SP+,dst or MOV.W @SP+,dst
Emulation	MOV.B @SP+,dst
Description	The stack location pointed to by the stack pointer (TOS) is moved to the destination. The stack pointer is incremented by two afterwards.
Status Bits	Status bits are not affected.
Example	The contents of R7 and the status register are restored from the stack. POP R7 ; Restore R7 POP SR ; Restore status register
Example	The contents of RAM byte LEO is restored from the stack. POP.B LEO ; The low byte of the stack is moved to LEO.
Example	The contents of R7 is restored from the stack. POP.B R7 ; The low byte of the stack is moved to R7, ; the high byte of R7 is 00h
Example	The contents of the memory pointed to by R7 and the status register are restored from the stack. POP.B 0(R7) ; The low byte of the stack is moved to the ; the byte which is pointed to by R7 ; Example: R7 = 203h ; Mem(R7) = low byte of system stack ; Example: R7 = 20Ah ; Mem(R7) = low byte of system stack POP SR ; Last word on stack moved to the SR

Note: The System Stack Pointer

The system stack pointer (SP) is always incremented by two, independent of the byte suffix.

PUSH.W]	Save a word on the stack
PUSH.B	Save a byte on the stack
Syntax	PUSH dst or PUSH.W dst PUSH.B dst
Operation	SP - 2 → SP dst → @SP
Description	The 20-bit stack pointer SP is decremented by two. The operand is then copied to the RAM word addressed by the SP. A pushed byte is stored in the low byte, the high byte is not affected.
Status Bits	Not affected.
Mode Bits	OSCOFF, CPUOFF, and GIE are not affected.
Example	Save the two 16-bit registers R9 and R10 on the stack.
	PUSH R9 ; Save R9 and R10 XXXXh PUSH R10 ; YYYYYh
Example	Save the two bytes EDE and TONI on the stack. The addresses EDE and TONI are within PC ± 32 K.
	PUSH.B EDE ; Save EDE xxXXh PUSH.B TONI ; Save TONI xxYYh

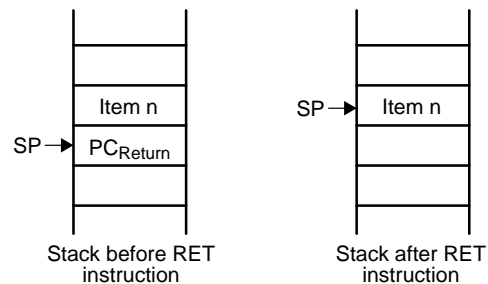
RET	Return from subroutine
Syntax	RET
Operation	@SP → PC.15:0 Saved PC to PC.15:0. PC.19:16 ← 0 SP + 2 → SP
Description	The 16-bit return address (lower 64 K), pushed onto the stack by a CALL instruction is restored to the PC. The program continues at the address following the subroutine call. The four MSBs of the program counter PC.19:16 are cleared.
Status Bits	Not affected PC.19:16: Cleared
Mode Bits	OSCOFF, CPUOFF, and GIE are not affected.
Example	Call a subroutine SUBR in the lower 64 K and return to the address in the lower 64K after the CALL

```

CALL    #SUBR           ; Call subroutine starting at SUBR
...
SUBR PUSH    R14        ; Save R14 (16 bit data)
...
POP      R14           ; Restore R14
RET                                ; Return to lower 64 K

```

Figure 4–37. The Stack After a RET Instruction



RETI	Return from interrupt
Syntax	RETI
Operation	<p>@SP → SR.15:0 Restore saved status register SR with PC.19:16 SP + 2 → SP @SP → PC.15:0 Restore saved program counter PC.15:0 SP + 2 → SP House keeping</p>
Description	<p>The status register is restored to the value at the beginning of the interrupt service routine. This includes the four MSBs of the program counter PC.19:16. The stack pointer is incremented by two afterwards.</p> <p>The 20-bit PC is restored from PC.19:16 (from same stack location as the status bits) and PC.15:0. The 20-bit program counter is restored to the value at the beginning of the interrupt service routine. The program continues at the address following the last executed instruction when the interrupt was granted. The stack pointer is incremented by two afterwards.</p>
Status Bits	<p>N: restored from stack Z: restored from stack C: restored from stack V: restored from stack</p>
Mode Bits	OSCOFF, CPUOFF, and GIE are restored from stack
Example	Interrupt handler in the lower 64 K. A 20-bit return address is stored on the stack.

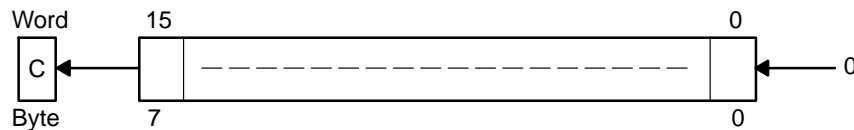
```

INTRPT PUSHM.A    #2,R14    ; Save R14 and R13 (20-bit data)
...
; Interrupt handler code
POPM.A           #2,R14    ; Restore R13 and R14 (20-bit data)
RETI              ; Return to 20-bit address in full memory range

```

* RLA[.W]	Rotate left arithmetically
* RLA.B	Rotate left arithmetically
Syntax	RLA dst or RLA.W dst RLA.B dst
Operation	C ← MSB ← MSB-1 LSB+1 ← LSB ← 0
Emulation	ADD dst,dst ADD.B dst,dst
Description	The destination operand is shifted left one position as shown in Figure 4–38. The MSB is shifted into the carry bit (C) and the LSB is filled with 0. The RLA instruction acts as a signed multiplication by 2. An overflow occurs if $dst \geq 04000h$ and $dst < 0C000h$ before operation is performed: the result has changed sign.

Figure 4–38. Destination Operand—Arithmetic Shift Left



An overflow occurs if $dst \geq 040h$ and $dst < 0C0h$ before the operation is performed: the result has changed sign.

Status Bits	N: Set if result is negative, reset if positive Z: Set if result is zero, reset otherwise C: Loaded from the MSB V: Set if an arithmetic overflow occurs: the initial value is $04000h \leq dst < 0C000h$; reset otherwise Set if an arithmetic overflow occurs: the initial value is $040h \leq dst < 0C0h$; reset otherwise
Mode Bits	OSCOFF, CPUOFF, and GIE are not affected.
Example	R7 is multiplied by 2. RLA R7 ; Shift left R7 ($\times 2$)
Example	The low byte of R7 is multiplied by 4. RLA.B R7 ; Shift left low byte of R7 ($\times 2$) RLA.B R7 ; Shift left low byte of R7 ($\times 4$)

Note: RLA Substitution

The assembler does not recognize the instruction:

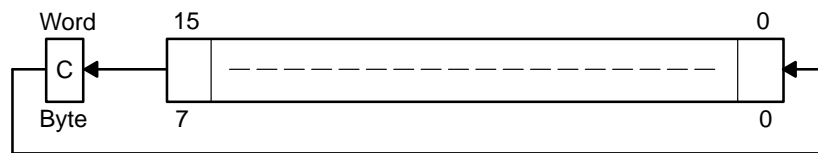
RLA @R5+, RLA.B @R5+, or RLA(.B) @R5

It must be substituted by:

ADD @R5+,-2(R5) ADD.B @R5+,-1(R5) or ADD(.B) @R5

* RLC[.W]	Rotate left through carry
* RLC.B	Rotate left through carry
Syntax	RLC dst or RLC.W dst RLC.B dst
Operation	$C \leftarrow \text{MSB} \leftarrow \text{MSB}-1 \dots \text{LSB}+1 \leftarrow \text{LSB} \leftarrow C$
Emulation	ADDC dst,dst
Description	The destination operand is shifted left one position as shown in Figure 4–39. The carry bit (C) is shifted into the LSB and the MSB is shifted into the carry bit (C).

Figure 4–39. Destination Operand—Carry Left Shift



Status Bits	N: Set if result is negative, reset if positive Z: Set if result is zero, reset otherwise C: Loaded from the MSB V: Set if an arithmetic overflow occurs the initial value is $04000h \leq \text{dst} < 0C000h$; reset otherwise Set if an arithmetic overflow occurs: the initial value is $040h \leq \text{dst} < 0C0h$; reset otherwise
Mode Bits	OSCOFF, CPUOFF, and GIE are not affected.
Example	R5 is shifted left one position. RLC R5 ; (R5 x 2) + C -> R5
Example	The input P1IN.1 information is shifted into the LSB of R5. BIT.B #2,&P1IN ; Information -> Carry RLC R5 ; Carry=P0in.1 -> LSB of R5
Example	The MEM(LEO) content is shifted left one position. RLC.B LEO ; Mem(LEO) x 2 + C -> Mem(LEO)

Note: RLC and RLC.B Substitution

The assembler does not recognize the instruction:

RLC @R5+, RLC.B @R5+, or RLC(.B) @R5

It must be substituted by:

ADDC @R5+,-2(R5) ADDC.B @R5+,-1(R5) or ADDC(.B) @R5

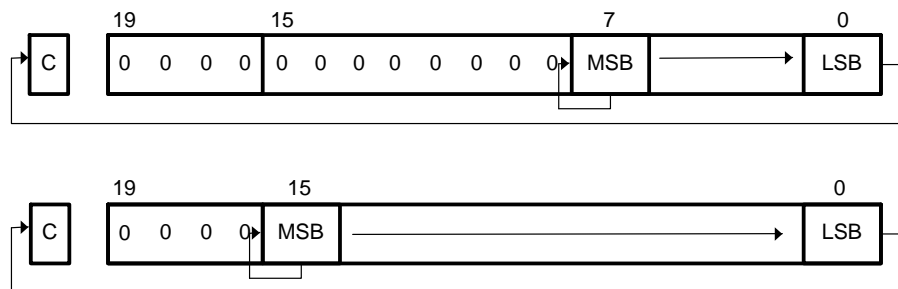
RRA[.W]	Rotate Right Arithmetically destination word
RRA.B	Rotate Right Arithmetically destination byte
Syntax	RRA.B dst or RRA.W dst
Operation	MSB → MSB → MSB-1 . . . →... LSB+1 → LSB → C
Description	The destination operand is shifted right arithmetically by one bit position as shown in Figure 4–40. The MSB retains its value (sign). RRA operates equal to a signed division by 2. The MSB is retained and shifted into the MSB-1. The LSB+1 is shifted into the LSB. The previous LSB is shifted into the carry bit C.
Status Bits	N: Set if result is negative (MSB = 1), reset otherwise (MSB = 0) Z: Set if result is zero, reset otherwise C: Loaded from the LSB V: Reset
Mode Bits	OSCOFF, CPUOFF, and GIE are not affected.
Example	The signed 16-bit number in R5 is shifted arithmetically right one position.

```
RRA        R5                            ; R5/2 -> R5
```

Example The signed RAM byte EDE is shifted arithmetically right one position.

```
RRA.B     EDE                           ; EDE/2 -> EDE
```

Figure 4–40. Rotate Right Arithmetically RRA.B and RRA.W



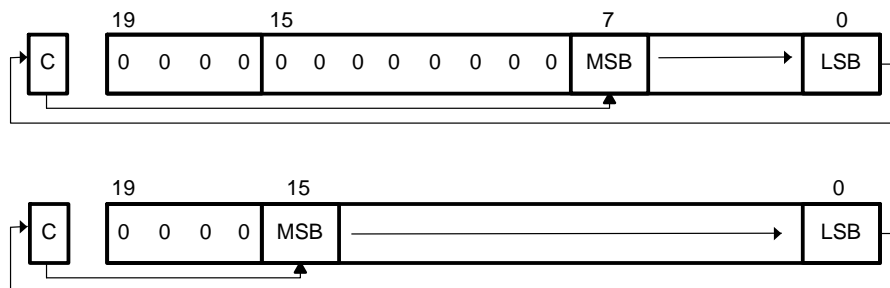
RRC[.W]	Rotate Right through carry destination word
RRC.B	Rotate Right through carry destination byte
Syntax	RRC dst or RRC.W dst RRC.B dst
Operation	$C \rightarrow \text{MSB} \rightarrow \text{MSB}-1 \rightarrow \dots \rightarrow \text{LSB}+1 \rightarrow \text{LSB} \rightarrow C$
Description	The destination operand is shifted right by one bit position as shown in Figure 4–41. The carry bit C is shifted into the MSB and the LSB is shifted into the carry bit C.
Status Bits	N: Set if result is negative (MSB = 1), reset otherwise (MSB = 0) Z: Set if result is zero, reset otherwise C: Loaded from the LSB V: Reset
Mode Bits	OSCOFF, CPUOFF, and GIE are not affected.
Example	RAM word EDE is shifted right one bit position. The MSB is loaded with 1.

```

SETC                                ; Prepare carry for MSB
RRC    EDE                          ; EDE = EDE » 1 + 8000h

```

Figure 4–41. Rotate Right through Carry RRC.B and RRC.W



* SBC[W]	Subtract source and borrow/.NOT. carry from destination
* SBC.B	Subtract source and borrow/.NOT. carry from destination
Syntax	SBC dst or SBC.W dst SBC.B dst
Operation	dst + 0FFFFh + C -> dst dst + 0FFh + C -> dst
Emulation	SUBC #0,dst SUBC.B #0,dst
Description	The carry bit (C) is added to the destination operand minus one. The previous contents of the destination are lost.
Status Bits	N: Set if result is negative, reset if positive Z: Set if result is zero, reset otherwise C: Set if there is a carry from the MSB of the result, reset otherwise. Set to 1 if no borrow, reset if borrow. V: Set if an arithmetic overflow occurs, reset otherwise.
Mode Bits	OSCOFF, CPUOFF, and GIE are not affected.
Example	The 16-bit counter pointed to by R13 is subtracted from a 32-bit counter pointed to by R12. SUB @R13,0(R12) ; Subtract LSDs SBC 2(R12) ; Subtract carry from MSD
Example	The 8-bit counter pointed to by R13 is subtracted from a 16-bit counter pointed to by R12. SUB.B @R13,0(R12) ; Subtract LSDs SBC.B 1(R12) ; Subtract carry from MSD

Note: Borrow Implementation.

The borrow is treated as a .NOT. carry :	Borrow	Carry bit
	Yes	0
	No	1

* SETC	Set carry bit		
Syntax	SETC		
Operation	1 → C		
Emulation	BIS	#1,SR	
Description	The carry bit (C) is set.		
Status Bits	N:	Not affected	
	Z:	Not affected	
	C:	Set	
	V:	Not affected	
Mode Bits	OSCOFF, CPUOFF, and GIE are not affected.		
Example	Emulation of the decimal subtraction: Subtract R5 from R6 decimally Assume that R5 = 03987h and R6 = 04137h		
DSUB	ADD	#06666h,R5	; Move content R5 from 0–9 to 6–0Fh ; R5 = 03987h + 06666h = 09FEDh
	INV	R5	; Invert this (result back to 0–9) ; R5 = .NOT. R5 = 06012h
	SETC		; Prepare carry = 1
	DADD	R5,R6	; Emulate subtraction by addition of: ; (010000h – R5 – 1) ; R6 = R6 + R5 + 1 ; R6 = 0150h

* SETN	Set negative bit
Syntax	SETN
Operation	1 → N
Emulation	BIS #4,SR
Description	The negative bit (N) is set.
Status Bits	N: Set Z: Not affected C: Not affected V: Not affected
Mode Bits	OSCOFF, CPUOFF, and GIE are not affected.

* SETZ	Set zero bit
Syntax	SETZ
Operation	1 -> Z
Emulation	BIS #2,SR
Description	The zero bit (Z) is set.
Status Bits	N: Not affected Z: Set C: Not affected V: Not affected
Mode Bits	OSCOFF, CPUOFF, and GIE are not affected.

SUB[.W]	Subtract source word from destination word
SUB.B	Subtract source byte from destination byte
Syntax	SUB src,dst or SUB.W src,dst SUB.B src,dst
Operation	(.not.src) + 1 + dst → dst or dst – src → dst
Description	The source operand is subtracted from the destination operand. This is made by adding the 1's complement of the source + 1 to the destination. The source operand is not affected, the result is written to the destination operand.
Status Bits	N: Set if result is negative (src > dst), reset if positive (src <= dst) Z: Set if result is zero (src = dst), reset otherwise (src ≠ dst) C: Set if there is a carry from the MSB, reset otherwise V: Set if the subtraction of a negative source operand from a positive destination operand delivers a negative result, or if the subtraction of a positive source operand from a negative destination operand delivers a positive result, reset otherwise (no overflow).
Mode Bits	OSCOFF, CPUOFF, and GIE are not affected.
Example	A 16-bit constant 7654h is subtracted from RAM word EDE.
	<pre>SUB #7654h,&EDE ; Subtract 7654h from EDE</pre>
Example	A table word pointed to by R5 (20-bit address) is subtracted from R7. Afterwards, if R7 contains zero, jump to label TONI. R5 is then auto-incremented by 2. R7.19:16 = 0.
	<pre>SUB @R5+,R7 ; Subtract table number from R7. R5 + 2 JZ TONI ; R7 = @R5 (before subtraction) ... ; R7 <> @R5 (before subtraction)</pre>
Example	Byte CNT is subtracted from byte R12 points to. The address of CNT is within PC ± 32 K. The address R12 points to is in full memory range.
	<pre>SUB.B CNT,0(R12) ; Subtract CNT from @R12</pre>

SUBC[.W]	Subtract source word with carry from destination word
SUBC.B	Subtract source byte with carry from destination byte
Syntax	SUBC src,dst or SUBC.W src,dst SUBC.B src,dst
Operation	$(\text{.not.src}) + C + \text{dst} \rightarrow \text{dst}$ or $\text{dst} - (\text{src} - 1) + C \rightarrow \text{dst}$
Description	The source operand is subtracted from the destination operand. This is done by adding the 1's complement of the source + carry to the destination. The source operand is not affected, the result is written to the destination operand. Used for 32, 48, and 64-bit operands.
Status Bits	N: Set if result is negative (MSB = 1), reset if positive (MSB = 0) Z: Set if result is zero, reset otherwise C: Set if there is a carry from the MSB, reset otherwise V: Set if the subtraction of a negative source operand from a positive destination operand delivers a negative result, or if the subtraction of a positive source operand from a negative destination operand delivers a positive result, reset otherwise (no overflow).
Mode Bits	OSCOFF, CPUOFF, and GIE are not affected.
Example	A 16-bit constant 7654h is subtracted from R5 with the carry from the previous instruction. R5.19:16 = 0
	<pre>SUBC.W #7654h,R5 ; Subtract 7654h + C from R5</pre>
Example	A 48-bit number (3 words) pointed to by R5 (20-bit address) is subtracted from a 48-bit counter in RAM, pointed to by R7. R5 points to the next 48-bit number afterwards. The address R7 points to is in full memory range.
	<pre>SUB @R5+,0(R7) ; Subtract LSBs. R5 + 2 SUBC @R5+,2(R7) ; Subtract MIDs with C. R5 + 2 SUBC @R5+,4(R7) ; Subtract MSBs with C. R5 + 2</pre>
Example	Byte CNT is subtracted from the byte, R12 points to. The carry of the previous instruction is used. The address of CNT is in lower 64 K.
	<pre>SUBC.B &CNT,0(R12) ; Subtract byte CNT from @R12</pre>

SWPB	Swap bytes
Syntax	SWPB dst
Operation	dst.15:8 \leftrightarrow dst.7:0
Description	The high and the low byte of the operand are exchanged. PC.19:16 bits are cleared in register mode.
Status Bits	Not affected
Mode Bits	OSCOFF, CPUOFF, and GIE are not affected.
Example	Exchange the bytes of RAM word EDE (lower 64 K).

```
MOV    #1234h,&EDE    ; 1234h -> EDE
SWPB  &EDE            ; 3412h -> EDE
```

Figure 4–42. Swap Bytes in Memory

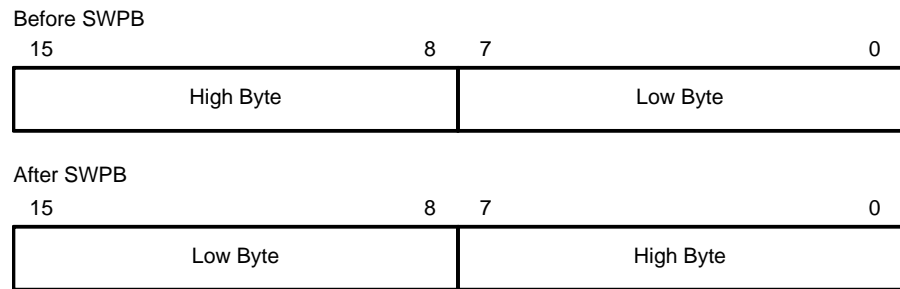
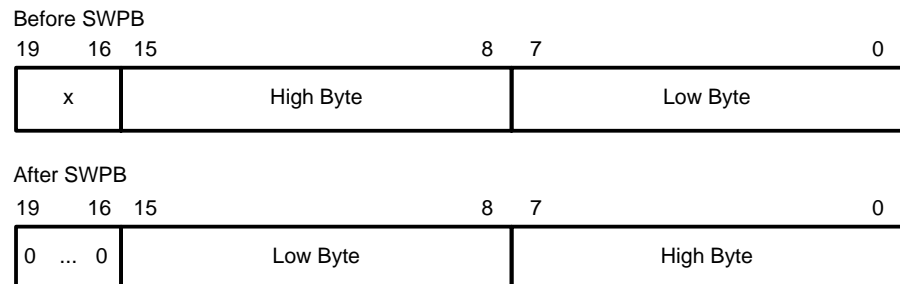


Figure 4–43. Swap Bytes in a Register



SXT	Extend sign
Syntax	SXT dst
Operation	dst.7 → dst.15:8, dst.7 → dst.19:8 (Register Mode)
Description	<p>Register Mode: the sign of the low byte of the operand is extended into the bits Rdst.19:8</p> <p>Rdst.7 = 0: Rdst.19:8 = 000h afterwards.</p> <p>Rdst.7 = 1: Rdst.19:8 = FFFh afterwards.</p> <p>Other Modes: the sign of the low byte of the operand is extended into the high byte.</p> <p>dst.7 = 0: high byte = 00h afterwards.</p> <p>dst.7 = 1: high byte = FFh afterwards.</p>
Status Bits	<p>N: Set if result is negative, reset otherwise</p> <p>Z: Set if result is zero, reset otherwise</p> <p>C: Set if result is not zero, reset otherwise (C = .not.Z)</p> <p>V: Reset</p>
Mode Bits	OSCOFF, CPUOFF, and GIE are not affected.
Example	<p>The signed 8-bit data in EDE (lower 64 K) is sign extended and added to the 16-bit signed data in R7.</p> <pre> MOV.B &EDE,R5 ; EDE -> R5. 00XXh SXT R5 ; Sign extend low byte to R5.19:8 ADD R5,R7 ; Add signed 16-bit values </pre>
Example	<p>The signed 8-bit data in EDE (PC ±32 K) is sign extended and added to the 20-bit data in R7.</p> <pre> MOV.B EDE,R5 ; EDE -> R5. 00XXh SXT R5 ; Sign extend low byte to R5.19:8 ADDA R5,R7 ; Add signed 20-bit values </pre>

* TST[.W]	Test destination
* TST.B	Test destination
Syntax	TST dst or TST.W dst TST.B dst
Operation	dst + 0FFFFh + 1 dst + 0FFh + 1
Emulation	CMP #0,dst CMP.B #0,dst
Description	The destination operand is compared with zero. The status bits are set according to the result. The destination is not affected.
Status Bits	N: Set if destination is negative, reset if positive Z: Set if destination contains zero, reset otherwise C: Set V: Reset
Mode Bits	OSCOFF, CPUOFF, and GIE are not affected.
Example	R7 is tested. If it is negative, continue at R7NEG; if it is positive but not zero, continue at R7POS.
	<pre> TST R7 ; Test R7 JN R7NEG ; R7 is negative JZ R7ZERO ; R7 is zero R7POS ; R7 is positive but not zero R7NEG ; R7 is negative R7ZERO ; R7 is zero </pre>
Example	The low byte of R7 is tested. If it is negative, continue at R7NEG; if it is positive but not zero, continue at R7POS.
	<pre> TST.B R7 ; Test low byte of R7 JN R7NEG ; Low byte of R7 is negative JZ R7ZERO ; Low byte of R7 is zero R7POS ; Low byte of R7 is positive but not zero R7NEG ; Low byte of R7 is negative R7ZERO ; Low byte of R7 is zero </pre>

XOR[.W]	Exclusive OR source word with destination word
XOR.B	Exclusive OR source byte with destination byte
Syntax	XOR dst or XOR.W dst XOR.B dst
Operation	src .xor. dst → dst
Description	The source and destination operands are exclusively ORed. The result is placed into the destination. The source operand is not affected. The previous content of the destination is lost.
Status Bits	N: Set if result is negative (MSB = 1), reset if positive (MSB = 0) Z: Set if result is zero, reset otherwise C: Set if result is not zero, reset otherwise (C = .not. Z) V: Set if both operands are negative before execution, reset otherwise
Mode Bits	OSCOFF, CPUOFF, and GIE are not affected.
Example	Toggle bits in word CNTR (16-bit data) with information (bit = 1) in address-word TONI. Both operands are located in lower 64 K.
	XOR &TONI,&CNTR ; Toggle bits in CNTR
Example	A table word pointed to by R5 (20-bit address) is used to toggle bits in R6. R6.19:16 = 0.
	XOR @R5,R6 ; Toggle bits in R6
Example	Reset to zero those bits in the low byte of R7 that are different from the bits in byte EDE. R7.19:8 = 0. The address of EDE is within PC ± 32 K.
	XOR.B EDE,R7 ; Set different bits to 1 in R7. INV.B R7 ; Invert low byte of R7, high byte is 0h

4.6.3 Extended Instructions

The extended MSP430X instructions give the MSP430X CPU full access to its 20-bit address space. Some MSP430X instructions require an additional word of op-code called the extension word. All addresses, indexes, and immediate numbers have 20-bit values, when preceded by the extension word. The MSP430X extended instructions are listed and described in the following pages. For MSP430X instructions that do not require the extension word, it is noted in the instruction description.

* ADCX.A	Add carry to destination address-word
* ADCX.[W]	Add carry to destination word
* ADCX.B	Add carry to destination byte
Syntax	ADCX.A dst ADCX dst or ADCX.W dst ADCX.B dst
Operation	dst + C -> dst
Emulation	ADDCX.A #0,dst ADDCX #0,dst ADDCX.B #0,dst
Description	The carry bit (C) is added to the destination operand. The previous contents of the destination are lost.
Status Bits	N: Set if result is negative (MSB = 1), reset if positive (MSB = 0) Z: Set if result is zero, reset otherwise C: Set if there is a carry from the MSB of the result, reset otherwise V: Set if the result of two positive operands is negative, or if the result of two negative numbers is positive, reset otherwise
Mode Bits	OSCOFF, CPUOFF, and GIE are not affected.
Example	The 40-bit counter, pointed to by R12 and R13, is incremented. INCX.A @R12 ; Increment lower 20 bits ADCX.A @R13 ; Add carry to upper 20 bits

ADDX.A	Add source address-word to destination address-word
ADDX[.W]	Add source word to destination word
ADDX.B	Add source byte to destination byte
Syntax	ADDX.A src,dst ADDX src,dst or ADDX.W src,dst ADDX.B src,dst
Operation	src + dst → dst
Description	The source operand is added to the destination operand. The previous contents of the destination are lost. Both operands can be located in the full address space.
Status Bits	N: Set if result is negative (MSB = 1), reset if positive (MSB = 0) Z: Set if result is zero, reset otherwise C: Set if there is a carry from the MSB of the result, reset otherwise V: Set if the result of two positive operands is negative, or if the result of two negative numbers is positive, reset otherwise
Mode Bits	OSCOFF, CPUOFF, and GIE are not affected.
Example	Ten is added to the 20-bit pointer CNTR located in two words CNTR (LSBs) and CNTR+2 (MSBs).
	ADDX.A #10,CNTR ; Add 10 to 20-bit pointer
Example	A table word (16-bit) pointed to by R5 (20-bit address) is added to R6. The jump to label TONI is performed on a carry.
	ADDX.W @R5,R6 ; Add table word to R6 JC TONI ; Jump if carry ... ; No carry
Example	A table byte pointed to by R5 (20-bit address) is added to R6. The jump to label TONI is performed if no carry occurs. The table pointer is auto-incremented by 1.
	ADDX.B @R5+,R6 ; Add table byte to R6. R5 + 1. R6: 000xxh JNC TONI ; Jump if no carry ... ; Carry occurred
	Note: Use ADDA for the following two cases for better code density and execution.
	ADDX.A Rsrc,Rdst or ADDX.A #imm20,Rdst

ADDCX.A	Add source address-word and carry to destination address-word
ADDCX[W]	Add source word and carry to destination word
ADDCX.B	Add source byte and carry to destination byte
Syntax	ADDCX.A src,dst ADDCX src,dst or ADDCX.W src,dst ADDCX.B src,dst
Operation	src + dst + C → dst
Description	The source operand and the carry bit C are added to the destination operand. The previous contents of the destination are lost. Both operands may be located in the full address space.
Status Bits	N: Set if result is negative (MSB = 1), reset if positive (MSB = 0) Z: Set if result is zero, reset otherwise C: Set if there is a carry from the MSB of the result, reset otherwise V: Set if the result of two positive operands is negative, or if the result of two negative numbers is positive, reset otherwise
Mode Bits	OSCOFF, CPUOFF, and GIE are not affected.
Example	Constant 15 and the carry of the previous instruction are added to the 20-bit counter CNTR located in two words.
	ADDCX.A #15,&CNTR ; Add 15 + C to 20-bit CNTR
Example	A table word pointed to by R5 (20-bit address) and the carry C are added to R6. The jump to label TONI is performed on a carry.
	ADDCX.W @R5,R6 ; Add table word + C to R6
	JC TONI ; Jump if carry
	... ; No carry
Example	A table byte pointed to by R5 (20-bit address) and the carry bit C are added to R6. The jump to label TONI is performed if no carry occurs. The table pointer is auto-incremented by 1.
	ADDCX.B @R5+,R6 ; Add table byte + C to R6. R5 + 1
	JNC TONI ; Jump if no carry
	... ; Carry occurred

ANDX.A	Logical AND of source address-word with destination address-word
ANDX[.W]	Logical AND of source word with destination word
ANDX.B	Logical AND of source byte with destination byte
Syntax	ANDX.A src,dst ANDX src,dst or ANDX.W src,dst ANDX.B src,dst
Operation	src .and. dst → dst
Description	The source operand and the destination operand are logically ANDed. The result is placed into the destination. The source operand is not affected. Both operands may be located in the full address space.
Status Bits	N: Set if result is negative (MSB = 1), reset if positive (MSB = 0) Z: Set if result is zero, reset otherwise C: Set if the result is not zero, reset otherwise. C = (.not. Z) V: Reset
Mode Bits	OSCOFF, CPUOFF, and GIE are not affected.
Example	The bits set in R5 (20-bit data) are used as a mask (AAA55h) for the address-word TOM located in two words. If the result is zero, a branch is taken to label TONI.
	<pre> MOVA #AAA55h,R5 ; Load 20-bit mask to R5 ANDX.A R5,TOM ; TOM .and. R5 -> TOM JZ TONI ; Jump if result 0 ... ; Result > 0 or shorter: ANDX.A #AAA55h,TOM ; TOM .and. AAA55h -> TOM JZ TONI ; Jump if result 0 </pre>
Example	A table byte pointed to by R5 (20-bit address) is logically ANDed with R6. R6.19:8 = 0. The table pointer is auto-incremented by 1.
	<pre> ANDX.B @R5+,R6 ; AND table byte with R6. R5 + 1 </pre>

BICX.A	Clear bits set in source address-word in destination address-word
BICX[.W]	Clear bits set in source word in destination word
BICX.B	Clear bits set in source byte in destination byte
Syntax	BICX.A src,dst BICX src,dst or BICX.W src,dst BICX.B src,dst
Operation	(.not. src) .and. dst → dst
Description	The inverted source operand and the destination operand are logically ANDed. The result is placed into the destination. The source operand is not affected. Both operands may be located in the full address space.
Status Bits	N: Not affected Z: Not affected C: Not affected V: Not affected
Mode Bits	OSCOFF, CPUOFF, and GIE are not affected.
Example	The bits 19:15 of R5 (20-bit data) are cleared.
	BICX.A #0F8000h,R5 ; Clear R5.19:15 bits
Example	A table word pointed to by R5 (20-bit address) is used to clear bits in R7. R7.19:16 = 0
	BICX.W @R5,R7 ; Clear bits in R7
Example	A table byte pointed to by R5 (20-bit address) is used to clear bits in output Port1.
	BICX.B @R5,&P1OUT ; Clear I/O port P1 bits

BISX.A	Set bits set in source address-word in destination address-word
BISX[.W]	Set bits set in source word in destination word
BISX.B	Set bits set in source byte in destination byte
Syntax	BISX.A src,dst BISX src,dst or BISX.W src,dst BISX.B src,dst
Operation	src .or. dst → dst
Description	The source operand and the destination operand are logically ORed. The result is placed into the destination. The source operand is not affected. Both operands may be located in the full address space.
Status Bits	N: Not affected Z: Not affected C: Not affected V: Not affected
Mode Bits	OSCOFF, CPUOFF, and GIE are not affected.
Example	Bits 16 and 15 of R5 (20-bit data) are set to one.
	 BISX.A #018000h,R5 ; Set R5.16:15 bits
Example	A table word pointed to by R5 (20-bit address) is used to set bits in R7.
	 BISX.W @R5,R7 ; Set bits in R7
Example	A table byte pointed to by R5 (20-bit address) is used to set bits in output Port1.
	 BISX.B @R5,&P1OUT ; Set I/O port P1 bits

BITX.A	Test bits set in source address-word in destination address-word
BITX[.W]	Test bits set in source word in destination word
BITX.B	Test bits set in source byte in destination byte
Syntax	BITX.A src,dst BITX src,dst or BITX.W src,dst BITX.B src,dst
Operation	src .and. dst
Description	The source operand and the destination operand are logically ANDed. The result affects only the status bits. Both operands may be located in the full address space.
Status Bits	N: Set if result is negative (MSB = 1), reset if positive (MSB = 0) Z: Set if result is zero, reset otherwise C: Set if the result is not zero, reset otherwise. C = (.not. Z) V: Reset
Mode Bits	OSCOFF, CPUOFF, and GIE are not affected.
Example	Test if bit 16 or 15 of R5 (20-bit data) is set. Jump to label TONI if so.
	<pre> BITX.A #018000h,R5 ; Test R5.16:15 bits JNZ TONI ; At least one bit is set ... ; Both are reset </pre>
Example	A table word pointed to by R5 (20-bit address) is used to test bits in R7. Jump to label TONI if at least one bit is set.
	<pre> BITX.W @R5,R7 ; Test bits in R7: C = .not.Z JC TONI ; At least one is set ... ; Both are reset </pre>
Example	A table byte pointed to by R5 (20-bit address) is used to test bits in input Port1. Jump to label TONI if no bit is set. The next table byte is addressed.
	<pre> BITX.B @R5+,&P1IN ; Test input P1 bits. R5 + 1 JNC TONI ; No corresponding input bit is set ... ; At least one bit is set </pre>

* CLRX.A	Clear destination address-word
* CLRX.[W]	Clear destination word
* CLRX.B	Clear destination byte
Syntax	CLRX.A dst CLRX dst or CLRX.W dst CLRX.B dst
Operation	0 -> dst
Emulation	MOVX.A #0,dst MOVX #0,dst MOVX.B #0,dst
Description	The destination operand is cleared.
Status Bits	Status bits are not affected.
Example	RAM address-word TONI is cleared. CLRX.A TONI ; 0 -> TONI

CMPX.A	Compare source address-word and destination address-word
CMPX[W]	Compare source word and destination word
CMPX.B	Compare source byte and destination byte
Syntax	CMPX.A src,dst CMPX src,dst or CMPX.W src,dst CMPX.B src,dst
Operation	(.not. src) + 1 + dst or dst – src
Description	The source operand is subtracted from the destination operand by adding the 1's complement of the source + 1 to the destination. The result affects only the status bits. Both operands may be located in the full address space.
Status Bits	N: Set if result is negative (src > dst), reset if positive (src <= dst) Z: Set if result is zero (src = dst), reset otherwise (src ≠ dst) C: Set if there is a carry from the MSB, reset otherwise V: Set if the subtraction of a negative source operand from a positive destination operand delivers a negative result, or if the subtraction of a positive source operand from a negative destination operand delivers a positive result, reset otherwise (no overflow).
Mode Bits	OSCOFF, CPUOFF, and GIE are not affected.
Example	Compare EDE with a 20-bit constant 18000h. Jump to label TONI if EDE equals the constant.
	CMPX.A #018000h,EDE ; Compare EDE with 18000h JEQ TONI ; EDE contains 18000h ... ; Not equal
Example	A table word pointed to by R5 (20-bit address) is compared with R7. Jump to label TONI if R7 contains a lower, signed, 16-bit number.
	CMPX.W @R5,R7 ; Compare two signed numbers JL TONI ; R7 < @R5 ... ; R7 >= @R5
Example	A table byte pointed to by R5 (20-bit address) is compared to the input in I/O Port1. Jump to label TONI if the values are equal. The next table byte is addressed.
	CMPX.B @R5+,&P1IN ; Compare P1 bits with table. R5 + 1 JEQ TONI ; Equal contents ... ; Not equal
	Note: Use CMPA for the following two cases for better density and execution. CMPA Rsrc,Rdst or CMPA #imm20,Rdst

* DADCX.A	Add carry decimally to destination address-word
* DADCX[W]	Add carry decimally to destination word
* DADCX.B	Add carry decimally to destination byte
Syntax	DADCX.A dst DADCX dst or DADCX.W src,dst DADCX.B dst
Operation	dst + C → dst (decimally)
Emulation	DADDX.A #0,dst DADDX #0,dst DADDX.B #0,dst
Description	The carry bit (C) is added decimally to the destination.
Status Bits	N: Set if MSB of result is 1 (address-word > 79999h, word > 7999h, byte > 79h), reset if MSB is 0. Z: Set if result is zero, reset otherwise. C: Set if the BCD result is too large (address-word > 99999h, word > 9999h, byte > 99h), reset otherwise. V: Undefined.
Mode Bits	OSCOFF, CPUOFF, and GIE are not affected.
Example	The 40-bit counter, pointed to by R12 and R13, is incremented decimally. DADDX.A #1,0(R12) ; Increment lower 20 bits DADCX.A 0(R13) ; Add carry to upper 20 bits

DADDX.A Add source address-word and carry decimally to destination address-word
DADDX[W] Add source word and carry decimally to destination word
DADDX.B Add source byte and carry decimally to destination byte

Syntax
DADDX.A src,dst
DADDX src,dst or DADDX.W src,dst
DADDX.B src,dst

Operation src + dst + C → dst (decimally)

Description The source operand and the destination operand are treated as two (.B), four (.W), or five (.A) binary coded decimals (BCD) with positive signs. The source operand and the carry bit C are added decimally to the destination operand. The source operand is not affected. The previous contents of the destination are lost. The result is not defined for non-BCD numbers. Both operands may be located in the full address space.

Status Bits
N: Set if MSB of result is 1 (address-word > 79999h, word > 7999h, byte > 79h), reset if MSB is 0.
Z: Set if result is zero, reset otherwise.
C: Set if the BCD result is too large (address-word > 99999h, word > 9999h, byte > 99h), reset otherwise.
V: Undefined.

Mode Bits OSCOFF, CPUOFF, and GIE are not affected.

Example Decimal 10 is added to the 20-bit BCD counter DECCNTR located in two words.

```
DADDX.A    #10h,&DECCNTR ; Add 10 to 20-bit BCD counter
```

Example The eight-digit BCD number contained in 20-bit addresses BCD and BCD+2 is added decimally to an eight-digit BCD number contained in R4 and R5 (BCD+2 and R5 contain the MSDs).

```
CLRC                                ; Clear carry
DADDX.W  BCD,R4                      ; Add LSDs
DADDX.W  BCD+2,R5                    ; Add MSDs with carry
JC       OVERFLOW                    ; Result >99999999: go to error routine
...                                       ; Result ok
```

Example The two-digit BCD number contained in 20-bit address BCD is added decimally to a two-digit BCD number contained in R4.

```
CLRC                                ; Clear carry
DADDX.B  BCD,R4                      ; Add BCD to R4 decimally.
                                           ; R4: 000ddh
```


* DECX.A	Decrement destination address-word
* DECX[.W]	Decrement destination word
* DECX.B	Decrement destination byte
Syntax	DECX dst DECX dst or DECX.W dst DECX.B dst
Operation	dst - 1 -> dst
Emulation	SUBX.A #1,dst SUBX #1,dst SUBX.B #1,dst
Description	The destination operand is decremented by one. The original contents are lost.
Status Bits	N: Set if result is negative, reset if positive Z: Set if dst contained 1, reset otherwise C: Reset if dst contained 0, set otherwise V: Set if an arithmetic overflow occurs, otherwise reset.
Mode Bits	OSCOFF, CPUOFF, and GIE are not affected.
Example	RAM address-word TONI is decremented by 1 DECX.A TONI ; Decrement TONI

* DECDX.A	Double-decrement destination address-word
* DECDX[W]	Double-decrement destination word
* DECDX.B	Double-decrement destination byte
Syntax	DECDX.A dst DECDX dst or DECDX.W dst DECDX.B dst
Operation	dst - 2 -> dst
Emulation	SUBX.A #2,dst SUBX #2,dst SUBX.B #2,dst
Description	The destination operand is decremented by two. The original contents are lost.
Status Bits	N: Set if result is negative, reset if positive Z: Set if dst contained 2, reset otherwise C: Reset if dst contained 0 or 1, set otherwise V: Set if an arithmetic overflow occurs, otherwise reset.
Mode Bits	OSCOFF, CPUOFF, and GIE are not affected.
Example	RAM address-word TONI is decremented by 2. DECDX.A TONI ; Decrement TONI by two

* INCX.A	Increment destination address-word
* INCX[W]	Increment destination word
* INCX.B	Increment destination byte
Syntax	<pre> INCX.A dst INCX dst or INCX.W dst INCX.B dst </pre>
Operation	dst + 1 -> dst
Emulation	<pre> ADDX.A #1,dst ADDX #1,dst ADDX.B #1,dst </pre>
Description	The destination operand is incremented by one. The original contents are lost.
Status Bits	<p>N: Set if result is negative, reset if positive</p> <p>Z: Set if dst contained 0FFFFFFh, reset otherwise Set if dst contained 0FFFFFFh, reset otherwise Set if dst contained 0FFh, reset otherwise</p> <p>C: Set if dst contained 0FFFFFFh, reset otherwise Set if dst contained 0FFFFFFh, reset otherwise Set if dst contained 0FFh, reset otherwise</p> <p>V: Set if dst contained 07FFFh, reset otherwise Set if dst contained 07FFFh, reset otherwise Set if dst contained 07Fh, reset otherwise</p>
Mode Bits	OSCOFF, CPUOFF, and GIE are not affected.
Example	<p>RAM address-word TONI is incremented by 1.</p> <pre> INCX.A TONI ; Increment TONI (20-bits) </pre>

* INCDX.A	Double-increment destination address-word
* INCDX[.W]	Double-increment destination word
* INCDX.B	Double-increment destination byte
Syntax	INCDX.A dst INCDX dst or INCDX.W dst INCDX.B dst
Operation	dst + 2 -> dst
Emulation	ADDX.A #2,dst ADDX #2,dst ADDX.B #2,dst
Example	The destination operand is incremented by two. The original contents are lost.
Status Bits	N: Set if result is negative, reset if positive Z: Set if dst contained 0FFFFEh, reset otherwise Set if dst contained 0FFFEh, reset otherwise Set if dst contained 0FEh, reset otherwise C: Set if dst contained 0FFFFEh or 0FFFFFh, reset otherwise Set if dst contained 0FFFEh or 0FFFFh, reset otherwise Set if dst contained 0FEh or 0FFh, reset otherwise V: Set if dst contained 07FFFEh or 07FFFFh, reset otherwise Set if dst contained 07FFEh or 07FFFh, reset otherwise Set if dst contained 07Eh or 07Fh, reset otherwise
Mode Bits	OSCOFF, CPUOFF, and GIE are not affected.
Example	RAM byte LEO is incremented by two; PC points to upper memory INCDX.B LEO ; Increment LEO by two

* INVX.A	Invert destination
* INVX[.W]	Invert destination
* INVX.B	Invert destination
Syntax	INVX.A dst INVX dst or INVX.W dst INVX.B dst
Operation	.NOT.dst -> dst
Emulation	XORX.A #0FFFFFFh,dst XORX #0FFFFFFh,dst XORX.B #0FFh,dst
Description	The destination operand is inverted. The original contents are lost.
Status Bits	N: Set if result is negative, reset if positive Z: Set if dst contained 0FFFFFFh, reset otherwise Set if dst contained 0FFFFFFh, reset otherwise Set if dst contained 0FFh, reset otherwise C: Set if result is not zero, reset otherwise (= .NOT. Zero) V: Set if initial destination operand was negative, otherwise reset
Mode Bits	OSCOFF, CPUOFF, and GIE are not affected.
Example	20-bit content of R5 is negated (twos complement). INVX.A R5 ; Invert R5 INCX.A R5 ; R5 is now negated
Example	Content of memory byte LEO is negated. PC is pointing to upper memory INVX.B LEO ; Invert LEO INCX.B LEO ; MEM(LEO) is negated

MOVX.A	Move source address-word to destination address-word
MOVX[W]	Move source word to destination word
MOVX.B	Move source byte to destination byte
Syntax	MOVX.A src,dst MOVX src,dst or MOVX.W src,dst MOVX.B src,dst
Operation	src → dst
Description	The source operand is copied to the destination. The source operand is not affected. Both operands may be located in the full address space.
Status Bits	N: Not affected Z: Not affected C: Not affected V: Not affected
Mode Bits	OSCOFF, CPUOFF, and GIE are not affected.
Example	Move a 20-bit constant 18000h to absolute address-word EDE.
	MOVX.A #018000h,&EDE ; Move 18000h to EDE
Example	The contents of table EDE (word data, 20-bit addresses) are copied to table TOM. The length of the table is 030h words.
	MOVA #EDE,R10 ; Prepare pointer (20-bit address)
Loop	MOVX.W @R10+,TOM-EDE-2(R10) ; R10 points to both tables. R10+2
	CMPA #EDE+60h,R10 ; End of table reached?
	JLO Loop ; Not yet
	... ; Copy completed
Example	The contents of table EDE (byte data, 20-bit addresses) are copied to table TOM. The length of the table is 020h bytes.
	MOVA #EDE,R10 ; Prepare pointer (20-bit)
	MOV #20h,R9 ; Prepare counter
Loop	MOVX.B @R10+,TOM-EDE-1(R10) ; R10 points to both tables. ; R10+1
	DEC R9 ; Decrement counter
	JNZ Loop ; Not yet done
	... ; Copy completed

Ten of the 28 possible addressing combinations of the MOVX.A instruction can use the MOVA instruction. This saves two bytes and code cycles. Examples for the addressing combinations are:

MOVX.A	Rsrc,Rdst	MOVA	Rsrc,Rdst	; Reg/Reg
MOVX.A	#imm20,Rdst	MOVA	#imm20,Rdst	; Immediate/Reg
MOVX.A	&abs20,Rdst	MOVA	&abs20,Rdst	; Absolute/Reg
MOVX.A	@Rsrc,Rdst	MOVA	@Rsrc,Rdst	; Indirect/Reg
MOVX.A	@Rsrc+,Rdst	MOVA	@Rsrc+,Rdst	; Indirect,Auto/Reg
MOVX.A	Rsrc,&abs20	MOVA	Rsrc,&abs20	; Reg/Absolute

The next four replacements are possible only if 16-bit indexes are sufficient for the addressing.

MOVX.A	z20(Rsrc),Rdst	MOVA	z16(Rsrc),Rdst	; Indexed/Reg
MOVX.A	Rsrc,z20(Rdst)	MOVA	Rsrc,z16(Rdst)	; Reg/Indexed
MOVX.A	symb20,Rdst	MOVA	symb16,Rdst	; Symbolic/Reg
MOVX.A	Rsrc,symb20	MOVA	Rsrc,symb16	; Reg/Symbolic

POPM.A	Restore n CPU registers (20-bit data) from the stack
POPM[.W]	Restore n CPU registers (16-bit data) from the stack
Syntax	<p>POPM.A #n,Rdst $1 \leq n \leq 16$</p> <p>POPM.W #n,Rdst or POPM #n,Rdst $1 \leq n \leq 16$</p>
Operation	<p>POPM.A: Restore the register values from stack to the specified CPU registers. The stack pointer SP is incremented by four for each register restored from stack. The 20-bit values from stack (2 words per register) are restored to the registers.</p> <p>POPM.W: Restore the 16-bit register values from stack to the specified CPU registers. The stack pointer SP is incremented by two for each register restored from stack. The 16-bit values from stack (one word per register) are restored to the CPU registers.</p> <p>Note : This does not use the extension word.</p>
Description	<p>POPM.A: The CPU registers pushed on the stack are moved to the extended CPU registers, starting with the CPU register (Rdst - n + 1). The stack pointer is incremented by (n × 4) after the operation.</p> <p>POPM.W: The 16-bit registers pushed on the stack are moved back to the CPU registers, starting with CPU register (Rdst - n + 1). The stack pointer is incremented by (n × 2) after the instruction. The MSBs (Rdst.19:16) of the restored CPU registers are cleared</p>
Status Bits	Not affected, except SR is included in the operation
Mode Bits	OSCOFF, CPUOFF, and GIE are not affected, except SR is included in the operation.
Example	Restore the 20-bit registers R9, R10, R11, R12, R13 from the stack.
	POPM.A #5,R13 ; Restore R9, R10, R11, R12, R13
Example	Restore the 16-bit registers R9, R10, R11, R12, R13 from the stack.
	POPM.W #5,R13 ; Restore R9, R10, R11, R12, R13

PUSHM.A	Save n CPU registers (20-bit data) on the stack
PUSHM[W]	Save n CPU registers (16-bit words) on the stack
Syntax	PUSHM.A #n,Rdst $1 \leq n \leq 16$ PUSHM.W #n,Rdst or PUSHM #n,Rdst $1 \leq n \leq 16$
Operation	<p>PUSHM.A: Save the 20-bit CPU register values on the stack. The stack pointer (SP) is decremented by four for each register stored on the stack. The MSBs are stored first (higher address).</p> <p>PUSHM.W: Save the 16-bit CPU register values on the stack. The stack pointer is decremented by two for each register stored on the stack.</p>
Description	<p>PUSHM.A: The n CPU registers, starting with Rdst backwards, are stored on the stack. The stack pointer is decremented by $(n \times 4)$ after the operation. The data (Rn.19:0) of the pushed CPU registers is not affected.</p> <p>PUSHM.W: The n registers, starting with Rdst backwards, are stored on the stack. The stack pointer is decremented by $(n \times 2)$ after the operation. The data (Rn.19:0) of the pushed CPU registers is not affected.</p> <p>Note : This instruction does not use the extension word.</p>
Status Bits	Not affected.
Mode Bits	OSCOFF, CPUOFF, and GIE are not affected.
Example	Save the five 20-bit registers R9, R10, R11, R12, R13 on the stack.
	PUSHM.A #5,R13 ; Save R13, R12, R11, R10, R9
Example	Save the five 16-bit registers R9, R10, R11, R12, R13 on the stack.
	PUSHM.W #5,R13 ; Save R13, R12, R11, R10, R9

* POPX.A	Restore single address-word from the stack
* POPX[W]	Restore single word from the stack
* POPX.B	Restore single byte from the stack
Syntax	POPX.A dst POPX dst or POPX.W dst POPX.B dst
Operation	Restore the 8/16/20-bit value from the stack to the destination. 20-bit addresses are possible. The stack pointer SP is incremented by two (byte and word operands) and by four (address-word operand).
Emulation	MOVX(.B,.A) @SP+,dst
Description	The item on TOS is written to the destination operand. Register Mode, Indexed Mode, Symbolic Mode, and Absolute Mode are possible. The stack pointer is incremented by two or four. Note: the stack pointer is incremented by two also for byte operations.
Status Bits	Not affected.
Mode Bits	OSCOFF, CPUOFF, and GIE are not affected.
Example	Write the 16-bit value on TOS to the 20-bit address &EDE.
	POPX.W &EDE ; Write word to address EDE
Example	Write the 20-bit value on TOS to R9.
	POPX.A R9 ; Write address-word to R9

PUSHX.A	Save a single address-word on the stack
PUSHX[.W]	Save a single word on the stack
PUSHX.B	Save a single byte on the stack
Syntax	<pre> PUSHX.A src PUSHX src or PUSHX.W src PUSHX.B src </pre>
Operation	Save the 8/16/20-bit value of the source operand on the TOS. 20-bit addresses are possible. The stack pointer (SP) is decremented by two (byte and word operands) or by four (address-word operand) before the write operation.
Description	The stack pointer is decremented by two (byte and word operands) or by four (address-word operand). Then the source operand is written to the TOS. All seven addressing modes are possible for the source operand.
	Note : This instruction does not use the extension word.
Status Bits	Not affected.
Mode Bits	OSCOFF, CPUOFF, and GIE are not affected.
Example	Save the byte at the 20-bit address &EDE on the stack.
	<pre>PUSHX.B &EDE ; Save byte at address EDE</pre>
Example	Save the 20-bit value in R9 on the stack.
	<pre>PUSHX.A R9 ; Save address-word in R9</pre>

RLAM.A Rotate Left Arbitrarily the 20-bit CPU register content
RLAM[W] Rotate Left Arbitrarily the 16-bit CPU register content

Syntax RLAM.A #n,Rdst 1 ≤ n ≤ 4
 RLAM.W #n,Rdst or RLAM #n,Rdst 1 ≤ n ≤ 4

Operation C ← MSB ← MSB-1 ... LSB+1 ← LSB ← 0

Description The destination operand is shifted arithmetically left one, two, three, or four positions as shown in Figure 4–44. RLAM works as a multiplication (signed and unsigned) with 2, 4, 8, or 16. The word instruction RLAM.W clears the bits Rdst.19:16

Note : This instruction does not use the extension word.

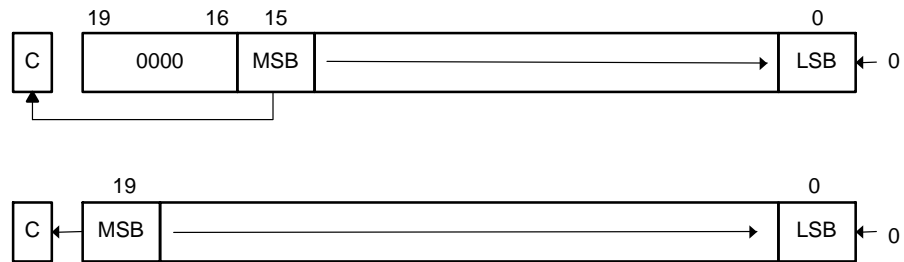
Status Bits N: Set if result is negative
 .A: Rdst.19 = 1, reset if Rdst.19 = 0
 .W: Rdst.15 = 1, reset if Rdst.15 = 0
 Z: Set if result is zero, reset otherwise
 C: Loaded from the MSB (n = 1), MSB-1 (n = 2), MSB-2 (n = 3), MSB-3 (n = 4)
 V: Undefined

Mode Bits OSCOFF, CPUOFF, and GIE are not affected.

Example The 20-bit operand in R5 is shifted left by three positions. It operates equal to an arithmetic multiplication by 8.

```
RLAM.A #3,R5 ; R5 = R5 x 8
```

Figure 4–44. Rotate Left Arbitrarily RLAM[W] and RLAM.A



- * **RLAX.A** Rotate left arithmetically address-word
- * **RLAX[.W]** Rotate left arithmetically word
- * **RLAX.B** Rotate left arithmetically byte

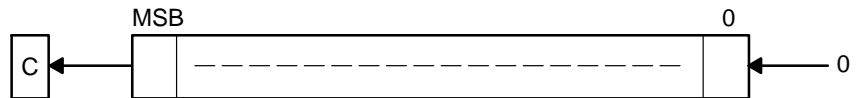
Syntax
 RLAX.B dst
 RLAX dst or RLAX.W dst
 RLAX.B dst

Operation C ← MSB ← MSB-1 ... LSB+1 ← LSB ← 0

Emulation
 ADDX.A dst, dst
 ADDX dst, dst
 ADDX.B dst, dst

Description The destination operand is shifted left one position as shown in Figure 4-45. The MSB is shifted into the carry bit (C) and the LSB is filled with 0. The RLAX instruction acts as a signed multiplication by 2.

Figure 4-45. Destination Operand—Arithmetic Shift Left



- Status Bits**
- N: Set if result is negative, reset if positive
 - Z: Set if result is zero, reset otherwise
 - C: Loaded from the MSB
 - V: Set if an arithmetic overflow occurs:
 the initial value is $040000h \leq dst < 0C0000h$; reset otherwise
 Set if an arithmetic overflow occurs:
 the initial value is $04000h \leq dst < 0C000h$; reset otherwise
 Set if an arithmetic overflow occurs:
 the initial value is $040h \leq dst < 0C0h$; reset otherwise

Mode Bits OSCOFF, CPUOFF, and GIE are not affected.

Example The 20-bit value in R7 is multiplied by 2.

```
RLAX.A    R7          ; Shift left R7 (20-bit)
```

- * **RLCX.A** Rotate left through carry address-word
- * **RLCX[W]** Rotate left through carry word
- * **RLCX.B** Rotate left through carry byte

Syntax

```
RLCX.A  dst
RLCX   dst      or      RLCX.W  dst
RLCX.B  dst
```

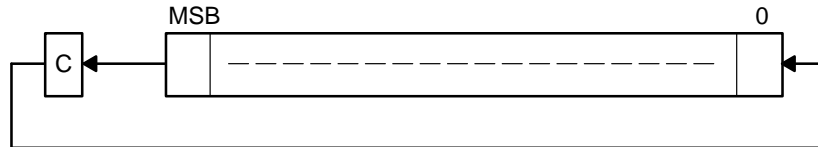
Operation $C \leftarrow MSB \leftarrow MSB-1 \dots LSB+1 \leftarrow LSB \leftarrow C$

Emulation

```
ADDCX.A  dst,dst
ADDCX    dst,dst
ADDCX.B  dst,dst
```

Description The destination operand is shifted left one position as shown in Figure 4–46. The carry bit (C) is shifted into the LSB and the MSB is shifted into the carry bit (C).

Figure 4–46. Destination Operand—Carry Left Shift



Status Bits

- N: Set if result is negative, reset if positive
- Z: Set if result is zero, reset otherwise
- C: Loaded from the MSB
- V: Set if an arithmetic overflow occurs
the initial value is $040000h \leq dst < 0C0000h$; reset otherwise
Set if an arithmetic overflow occurs:
the initial value is $04000h \leq dst < 0C000h$; reset otherwise
Set if an arithmetic overflow occurs:
the initial value is $040h \leq dst < 0C0h$; reset otherwise

Mode Bits OSCOFF, CPUOFF, and GIE are not affected.

Example The 20-bit value in R5 is shifted left one position.

```
RLCX.A  R5          ; (R5 x 2) + C -> R5
```

Example The RAM byte LEO is shifted left one position. PC is pointing to upper memory

```
RLCX.B  LEO        ; RAM(LEO) x 2 + C -> RAM(LEO)
```

RRAM.A	Rotate Right Arithmetically the 20-bit CPU register content
RRAM[W]	Rotate Right Arithmetically the 16-bit CPU register content
Syntax	RRAM.A #n,Rdst $1 \leq n \leq 4$ RRAM.W #n,Rdst or RRAM #n,Rdst $1 \leq n \leq 4$
Operation	MSB → MSB → MSB-1 ... LSB+1 → LSB → C
Description	The destination operand is shifted right arithmetically by one, two, three, or four bit positions as shown in Figure 4–47. The MSB retains its value (sign). RRAM operates equal to a signed division by 2/4/8/16. The MSB is retained and shifted into MSB-1. The LSB+1 is shifted into the LSB, and the LSB is shifted into the carry bit C. The word instruction RRAM.W clears the bits Rdst.19:16.

Note : This instruction does not use the extension word.

Status Bits	N: Set if result is negative .A: Rdst.19 = 1, reset if Rdst.19 = 0 .W: Rdst.15 = 1, reset if Rdst.15 = 0 Z: Set if result is zero, reset otherwise C: Loaded from the LSB (n = 1), LSB+1 (n = 2), LSB+2 (n = 3), or LSB+3 (n = 4) V: Reset
--------------------	---

Mode Bits OSCOFF, CPUOFF, and GIE are not affected.

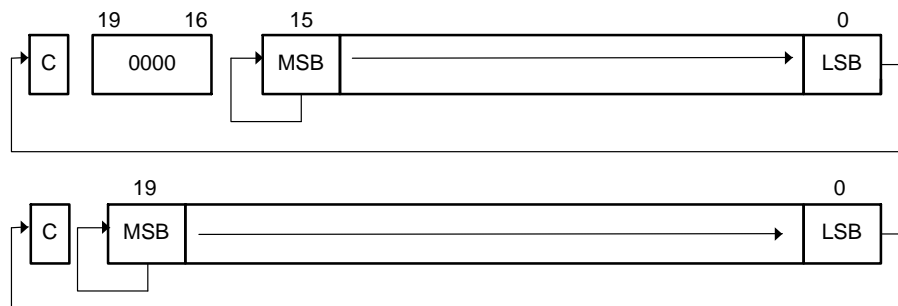
Example The signed 20-bit number in R5 is shifted arithmetically right two positions.

```
RRAM.A        #2,R5            ; R5/4 -> R5
```

Example The signed 20-bit value in R15 is multiplied by 0.75. $(0.5 + 0.25) \times R15$

```
PUSHM.A      #1,R15          ; Save extended R15 on stack
RRAM.A        #1,R15          ; R15 × 0.5 -> R15
ADDX.A        @SP+,R15        ; R15 × 0.5 + R15 = 1.5 × R15 -> R15
RRAM.A        #1,R15          ; (1.5 × R15) × 0.5 = 0.75 × R15 -> R15
```

Figure 4–47. Rotate Right Arithmetically RRAM[W] and RRAM.A



RRAX.A Rotate Right Arithmetically the 20-bit operand
RRAX[.W] Rotate Right Arithmetically the 16-bit operand
RRAX.B Rotate Right Arithmetically the 8-bit operand

Syntax

```

RRAX.A  Rdst
RRAX.W  Rdst
RRAX    Rdst
RRAX.B  Rdst

RRAX.A  dst
RRAX.W  dst    or    RRAX  dst
RRAX.B  dst
    
```

Operation MSB → MSB → MSB-1 LSB+1 → LSB → C

Description

Register Mode for the destination: the destination operand is shifted right by one bit position as shown in Figure 4–48. The MSB retains its value (sign). The word instruction RRAX.W clears the bits Rdst.19:16, the byte instruction RRAX.B clears the bits Rdst.19:8. The MSB retains its value (sign), the LSB is shifted into the carry bit. RRAX here operates equal to a signed division by 2.

All other modes for the destination: the destination operand is shifted right arithmetically by one bit position as shown in Figure 4–49. The MSB retains its value (sign), the LSB is shifted into the carry bit. RRAX here operates equal to a signed division by 2. All addressing modes – with the exception of the Immediate Mode – are possible in the full memory.

Status Bits

N: Set if result is negative
 .A: dst.19 = 1, reset if dst.19 = 0
 .W: dst.15 = 1, reset if dst.15 = 0
 .B: dst.7 = 1, reset if dst.7 = 0
 Z: Set if result is zero, reset otherwise
 C: Loaded from LSB
 V: Reset

Mode Bits OSCOFF, CPUOFF, and GIE are not affected.

Example The signed 20-bit number in R5 is shifted arithmetically right four positions.

```
RPT    #4
RRAX.A R5          ; R5/16 -> R5
```

Example The signed 8-bit value in EDE is multiplied by 0.5.

```
RRAX.B &EDE        ; EDE/2 -> EDE
```

Figure 4–48. Rotate Right Arithmetically RRAX(.B,.A). Register Mode

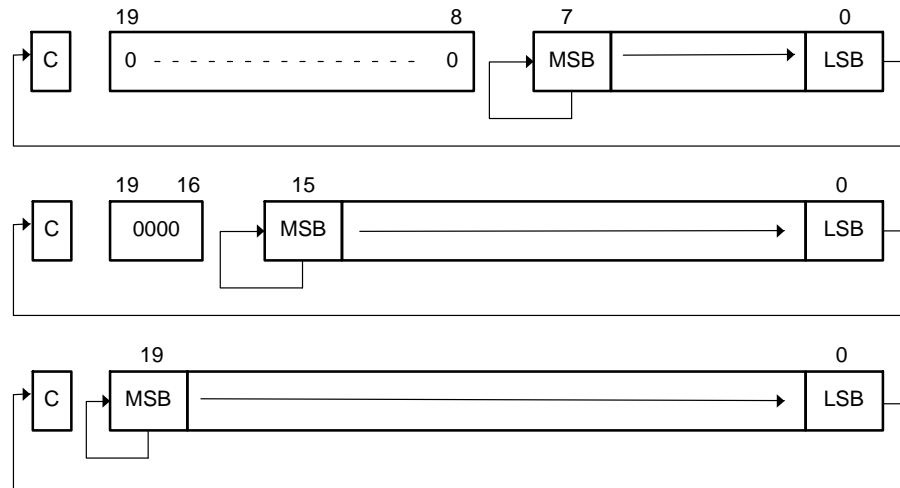
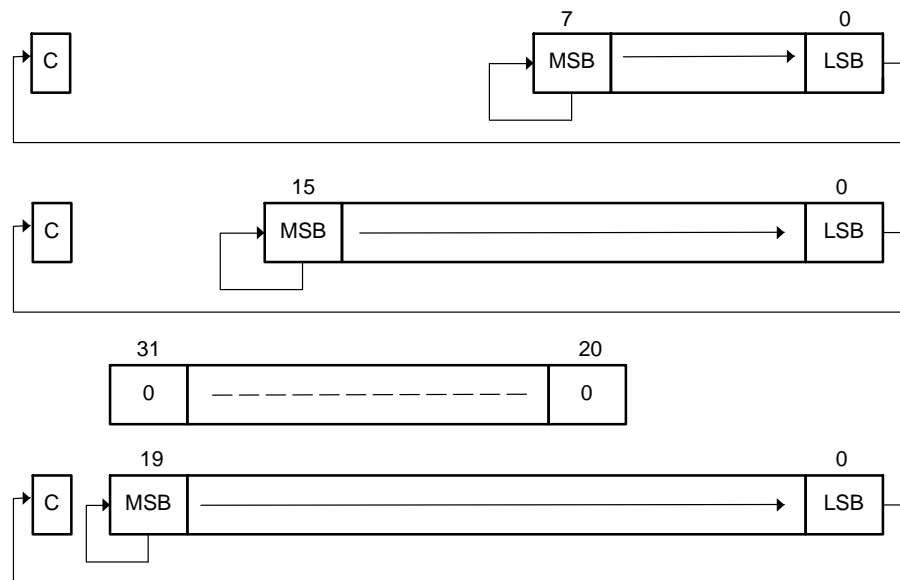


Figure 4–49. Rotate Right Arithmetically RRAX(.B,.A). Non-Register Mode



RRCM.A Rotate Right through carry the 20-bit CPU register content
RRCM[W] Rotate Right through carry the 16-bit CPU register content

Syntax RRCM.A #n,Rdst $1 \leq n \leq 4$
 RRCM.W #n,Rdst or RRCM #n,Rdst $1 \leq n \leq 4$

Operation $C \rightarrow MSB \rightarrow MSB-1 \rightarrow \dots \rightarrow LSB+1 \rightarrow LSB \rightarrow C$

Description The destination operand is shifted right by one, two, three, or four bit positions as shown in Figure 4–50. The carry bit C is shifted into the MSB, the LSB is shifted into the carry bit. The word instruction RRCM.W clears the bits Rdst.19:16

Note : This instruction does not use the extension word.

Status Bits N: Set if result is negative
 .A: Rdst.19 = 1, reset if Rdst.19 = 0
 .W: Rdst.15 = 1, reset if Rdst.15 = 0
 Z: Set if result is zero, reset otherwise
 C: Loaded from the LSB (n = 1), LSB+1 (n = 2), LSB+2 (n = 3) or LSB+3 (n = 4)
 V: Reset

Mode Bits OSCOFF, CPUOFF, and GIE are not affected.

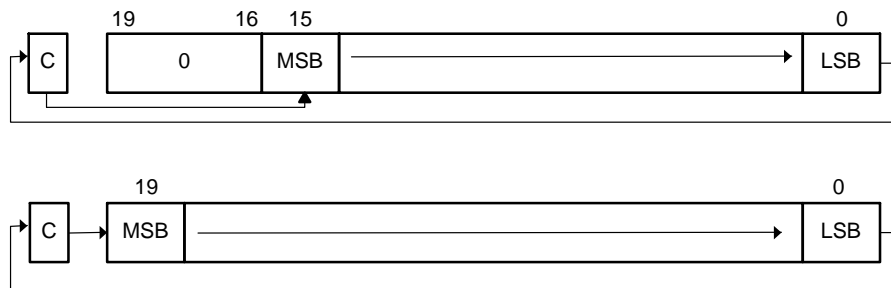
Example The address-word in R5 is shifted right by three positions. The MSB-2 is loaded with 1.

```
SETC ; Prepare carry for MSB-2
RRCM.A #3,R5 ; R5 = R5 » 3 + 20000h
```

Example The word in R6 is shifted right by two positions. The MSB is loaded with the LSB. The MSB-1 is loaded with the contents of the carry flag.

```
RRCM.W #2,R6 ; R6 = R6 » 2. R6.19:16 = 0
```

Figure 4–50. Rotate Right Through Carry RRCM[W] and RRCM.A



RRCX.A	Rotate Right through carry the 20-bit operand
RRCX[.W]	Rotate Right through carry the 16-bit operand
RRCX.B	Rotate Right through carry the 8-bit operand
Syntax	<pre> RRCX.A Rdst RRCX.W Rdst RRCX Rdst RRCX.B Rdst RRCX.A dst RRCX.W dst or RRCX dst RRCX.B dst </pre>
Operation	$C \rightarrow \text{MSB} \rightarrow \text{MSB}-1 \rightarrow \dots \text{LSB}+1 \rightarrow \text{LSB} \rightarrow C$
Description	<p>Register Mode for the destination: the destination operand is shifted right by one bit position as shown in Figure 4–51. The word instruction RRCX.W clears the bits Rdst.19:16, the byte instruction RRCX.B clears the bits Rdst.19:8. The carry bit C is shifted into the MSB, the LSB is shifted into the carry bit.</p> <p>All other modes for the destination: the destination operand is shifted right by one bit position as shown in Figure 4–52. The carry bit C is shifted into the MSB, the LSB is shifted into the carry bit. All addressing modes – with the exception of the Immediate Mode – are possible in the full memory.</p>
Status Bits	<pre> N: Set if result is negative .A: dst.19 = 1, reset if dst.19 = 0 .W: dst.15 = 1, reset if dst.15 = 0 .B: dst.7 = 1, reset if dst.7 = 0 Z: Set if result is zero, reset otherwise C: Loaded from LSB V: Reset </pre>
Mode Bits	OSCOFF, CPUOFF, and GIE are not affected.

Example The 20-bit operand at address EDE is shifted right by one position. The MSB is loaded with 1.

```

SETC                ; Prepare carry for MSB
RRCX.A    EDE      ; EDE = EDE » 1 + 80000h
    
```

Example The word in R6 is shifted right by twelve positions.

```

RPT    #12
RRCX.W R6          ; R6 = R6 » 12. R6.19:16 = 0
    
```

Figure 4–51. Rotate Right Through Carry RRCX(.B,.A). Register Mode

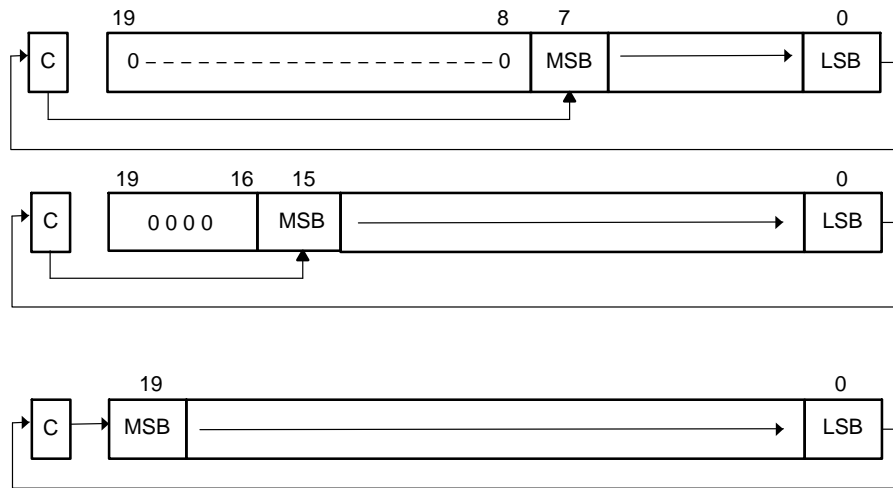
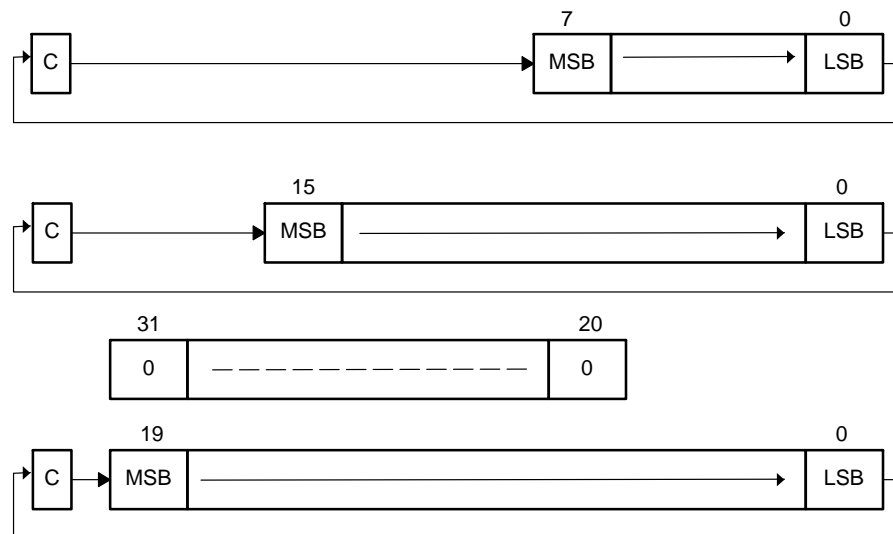


Figure 4–52. Rotate Right Through Carry RRCX(.B,.A). Non-Register Mode



RRUM.A Rotate Right Unsigned the 20-bit CPU register content
RRUM[W] Rotate Right Unsigned the 16-bit CPU register content

Syntax
 RRUM.A #n,Rdst $1 \leq n \leq 4$
 RRUM.W #n,Rdst or RRUM #n,Rdst $1 \leq n \leq 4$

Operation
 $0 \rightarrow \text{MSB} \rightarrow \text{MSB}-1 \rightarrow \dots \rightarrow \text{LSB}+1 \rightarrow \text{LSB} \rightarrow \text{C}$

Description
 The destination operand is shifted right by one, two, three, or four bit positions as shown in Figure 4–53. Zero is shifted into the MSB, the LSB is shifted into the carry bit. RRUM works like an unsigned division by 2, 4, 8, or 16. The word instruction RRUM.W clears the bits Rdst.19:16.

Note : This instruction does not use the extension word.

Status Bits

- N: Set if result is negative
 .A: Rdst.19 = 1, reset if Rdst.19 = 0
 .W: Rdst.15 = 1, reset if Rdst.15 = 0
- Z: Set if result is zero, reset otherwise
- C: Loaded from the LSB (n = 1), LSB+1 (n = 2), LSB+2 (n = 3) or LSB+3 (n = 4)
- V: Reset

Mode Bits OSCOFF, CPUOFF, and GIE are not affected.

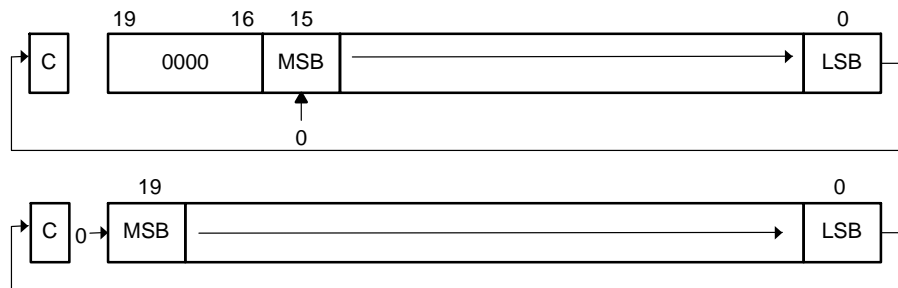
Example The unsigned address-word in R5 is divided by 16.

```
RRUM.A #4,R5 ; R5 = R5 » 4. R5/16
```

Example The word in R6 is shifted right by one bit. The MSB R6.15 is loaded with 0.

```
RRUM.W #1,R6 ; R6 = R6/2. R6.19:15 = 0
```

Figure 4–53. Rotate Right Unsigned RRUM[W] and RRUM.A



RRUX.A Rotate Right unsigned the 20-bit operand
RRUX.W Rotate Right unsigned the 16-bit operand
RRUX.B Rotate Right unsigned the 8-bit operand

Syntax

```
RRUX.A  Rdst
RRUX.W  Rdst
RRUX    Rdst
RRUX.B  Rdst
```

Operation C=0 → MSB → MSB-1 → ... LSB+1 → LSB → C

Description RRUX is valid for register Mode only: the destination operand is shifted right by one bit position as shown in Figure 4–54. The word instruction RRUX.W clears the bits Rdst.19:16. The byte instruction RRUX.B clears the bits Rdst.19:8. Zero is shifted into the MSB, the LSB is shifted into the carry bit.

Status Bits

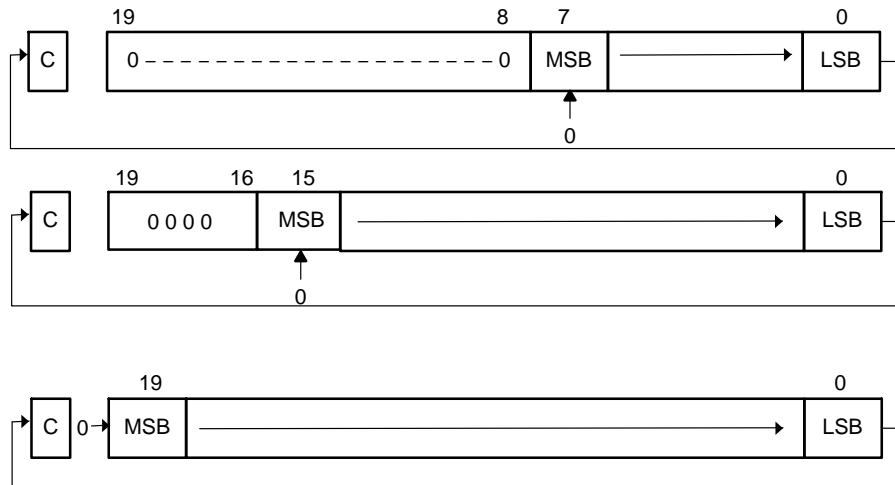
- N: Set if result is negative
- .A: dst.19 = 1, reset if dst.19 = 0
- .W: dst.15 = 1, reset if dst.15 = 0
- .B: dst.7 = 1, reset if dst.7 = 0
- Z: Set if result is zero, reset otherwise
- C: Loaded from LSB
- V: Reset

Mode Bits OSCOFF, CPUOFF, and GIE are not affected.

Example The word in R6 is shifted right by twelve positions.

```
RPT    #12
RRUX.W R6          ; R6 = R6 » 12. R6.19:16 = 0
```

Figure 4–54. Rotate Right Unsigned RRUX(.B,.A). Register Mode



* SBCX.A	Subtract source and borrow/.NOT. carry from destination address-word
* SBCX[.W]	Subtract source and borrow/.NOT. carry from destination word
* SBCX.B	Subtract source and borrow/.NOT. carry from destination byte
Syntax	SBCX.A dst SBCX dst or SBCX.W dst SBCX.B dst
Operation	dst + 0FFFFFFh + C -> dst dst + 0FFFFFFh + C -> dst dst + 0FFh + C -> dst
Emulation	SUBCX.A #0,dst SUBCX #0,dst SUBCX.B #0,dst
Description	The carry bit (C) is added to the destination operand minus one. The previous contents of the destination are lost.
Status Bits	N: Set if result is negative, reset if positive Z: Set if result is zero, reset otherwise C: Set if there is a carry from the MSB of the result, reset otherwise. Set to 1 if no borrow, reset if borrow. V: Set if an arithmetic overflow occurs, reset otherwise.
Mode Bits	OSCOFF, CPUOFF, and GIE are not affected.
Example	The 8-bit counter pointed to by R13 is subtracted from a 16-bit counter pointed to by R12. SUBX.B @R13,0(R12) ; Subtract LSDs SBCX.B 1(R12) ; Subtract carry from MSD

Note: Borrow Implementation.

The borrow is treated as a .NOT. carry :

Borrow	Carry bit
Yes	0
No	1

SUBX.A	Subtract source address-word from destination address-word
SUBX[.W]	Subtract source word from destination word
SUBX.B	Subtract source byte from destination byte
Syntax	SUBX.A src,dst SUBX src,dst or SUBX.W src,dst SUBX.B src,dst
Operation	(.not. src) + 1 + dst → dst or dst – src → dst
Description	The source operand is subtracted from the destination operand. This is made by adding the 1's complement of the source + 1 to the destination. The source operand is not affected. The result is written to the destination operand. Both operands may be located in the full address space.
Status Bits	N: Set if result is negative (src > dst), reset if positive (src <= dst) Z: Set if result is zero (src = dst), reset otherwise (src ≠ dst) C: Set if there is a carry from the MSB, reset otherwise V: Set if the subtraction of a negative source operand from a positive destination operand delivers a negative result, or if the subtraction of a positive source operand from a negative destination operand delivers a positive result, reset otherwise (no overflow).
Mode Bits	OSCOFF, CPUOFF, and GIE are not affected.
Example	A 20-bit constant 87654h is subtracted from EDE (LSBs) and EDE+2 (MSBs).
	SUBX.A #87654h,EDE ; Subtract 87654h from EDE+2 EDE
Example	A table word pointed to by R5 (20-bit address) is subtracted from R7. Jump to label TONI if R7 contains zero after the instruction. R5 is auto-incremented by 2. R7.19:16 = 0
	SUBX.W @R5+,R7 ; Subtract table number from R7. R5 + 2 JZ TONI ; R7 = @R5 (before subtraction) ... ; R7 <> @R5 (before subtraction)
Example	Byte CNT is subtracted from the byte R12 points to in the full address space. Address of CNT is within PC ± 512 K.
	SUBX.B CNT,0(R12) ; Subtract CNT from @R12
	Note: Use SUBA for the following two cases for better density and execution. SUBX.A Rsrc,Rdst or SUBX.A #imm20,Rdst

SUBCX.A	Subtract source address-word with carry from destination address-word
SUBCX[.W]	Subtract source word with carry from destination word
SUBCX.B	Subtract source byte with carry from destination byte
Syntax	SUBCX.A src,dst SUBCX src,dst or SUBCX.W src,dst SUBCX.B src,dst
Operation	(.not. src) + C + dst → dst or dst – (src – 1) + C → dst
Description	The source operand is subtracted from the destination operand. This is made by adding the 1's complement of the source + carry to the destination. The source operand is not affected, the result is written to the destination operand. Both operands may be located in the full address space.
Status Bits	N: Set if result is negative (MSB = 1), reset if positive (MSB = 0) Z: Set if result is zero, reset otherwise C: Set if there is a carry from the MSB, reset otherwise V: Set if the subtraction of a negative source operand from a positive destination operand delivers a negative result, or if the subtraction of a positive source operand from a negative destination operand delivers a positive result, reset otherwise (no overflow).
Mode Bits	OSCOFF, CPUOFF, and GIE are not affected.
Example	A 20-bit constant 87654h is subtracted from R5 with the carry from the previous instruction.
	<pre>SUBCX.A #87654h,R5 ; Subtract 87654h + C from R5</pre>
Example	A 48-bit number (3 words) pointed to by R5 (20-bit address) is subtracted from a 48-bit counter in RAM, pointed to by R7. R5 auto-increments to point to the next 48-bit number.
	<pre>SUBX.W @R5+,0(R7) ; Subtract LSBs. R5 + 2 SUBCX.W @R5+,2(R7) ; Subtract MIDs with C. R5 + 2 SUBCX.W @R5+,4(R7) ; Subtract MSBs with C. R5 + 2</pre>
Example	Byte CNT is subtracted from the byte, R12 points to. The carry of the previous instruction is used. 20-bit addresses.
	<pre>SUBCX.B &CNT,0(R12) ; Subtract byte CNT from @R12</pre>

SWPBX.A	Swap bytes of lower word
SWPBX[.W]	Swap bytes of word
Syntax	SWPBX.A dst SWPBX.W dst or SWPBX dst
Operation	dst.15:8 ⇔ dst.7:0
Description	Register Mode: Rn.15:8 are swapped with Rn.7:0. When the .A extension is used, Rn.19:16 are unchanged. When the .W extension is used, Rn.19:16 are cleared. Other Modes: When the .A extension is used, bits 31:20 of the destination address are cleared, bits 19:16 are left unchanged, and bits 15:8 are swapped with bits 7:0. When the .W extension is used, bits 15:8 are swapped with bits 7:0 of the addressed word.
Status Bits	Not affected
Mode Bits	OSCOFF, CPUOFF, and GIE are not affected.
Example	Exchange the bytes of RAM address-word EDE.
	MOVX.A #23456h,&EDE ; 23456h → EDE SWPBX.A EDE ; 25634h → EDE
Example	Exchange the bytes of R5.
	MOVA #23456h,R5 ; 23456h → R5 SWPBX.W R5 ; 05634h → R5

Figure 4–55. Swap Bytes SWPBX.A Register Mode

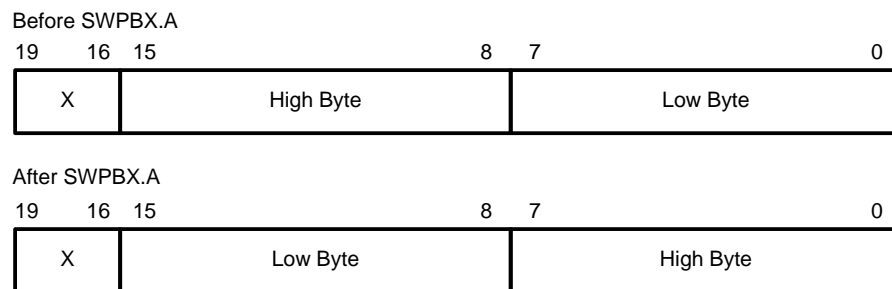


Figure 4–56. Swap Bytes SWPBX.A In Memory

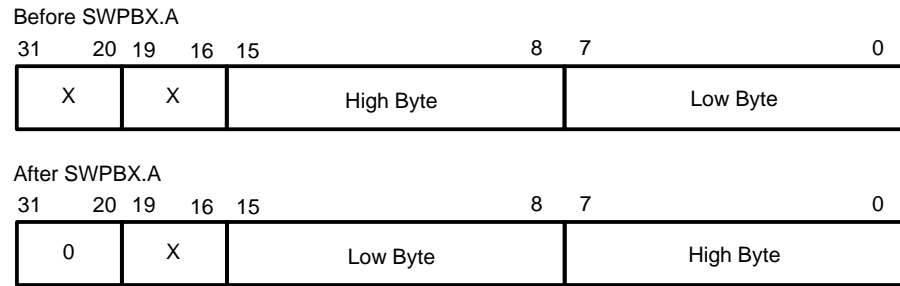


Figure 4–57. Swap Bytes SWPBX[.W] Register Mode

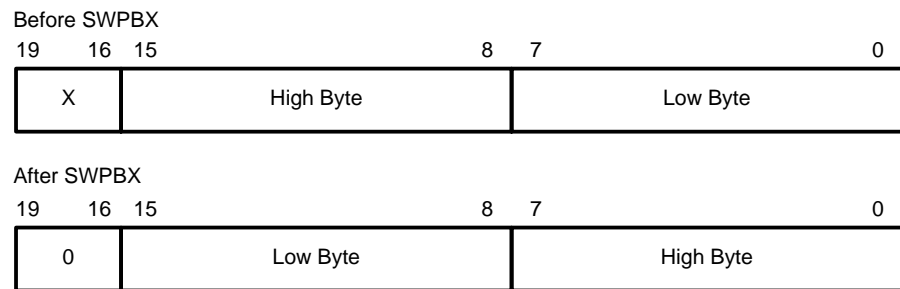
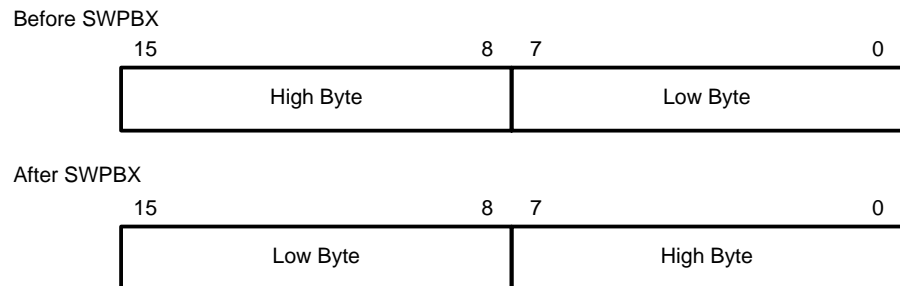


Figure 4–58. Swap Bytes SWPBX[.W] In Memory



SXTX.A	Extend sign of lower byte to address-word
SXTX[.W]	Extend sign of lower byte to word
Syntax	SXTX.A dst SXTX.W dst or SXTX dst
Operation	dst.7 → dst.15:8, Rdst.7 → Rdst.19:8 (Register Mode)
Description	<p>Register Mode: The sign of the low byte of the operand (Rdst.7) is extended into the bits Rdst.19:8.</p> <p>Other Modes: SXTX.A: the sign of the low byte of the operand (dst.7) is extended into dst.19:8. The bits dst.31:20 are cleared. SXTX[.W]: the sign of the low byte of the operand (dst.7) is extended into dst.15:8.</p>
Status Bits	<p>N: Set if result is negative, reset otherwise Z: Set if result is zero, reset otherwise C: Set if result is not zero, reset otherwise (C = .not.Z) V: Reset</p>
Mode Bits	OSCOFF, CPUOFF, and GIE are not affected.
Example	The signed 8-bit data in EDE.7:0 is sign extended to 20 bits: EDE.19:8. Bits 31:20 located in EDE+2 are cleared.

```
SXTX.A &EDE ; Sign extended EDE -> EDE+2/EDE
```

Figure 4–59. Sign Extend SXTX.A

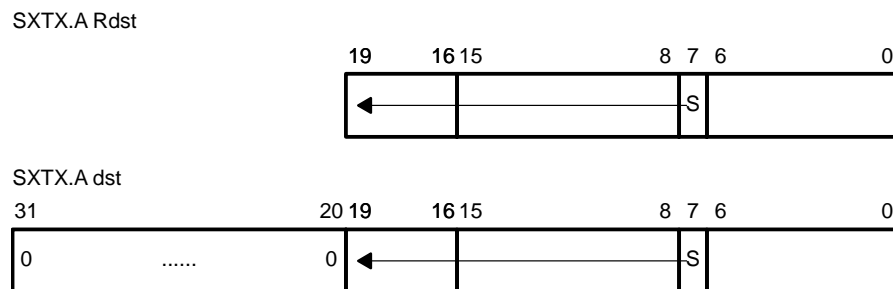
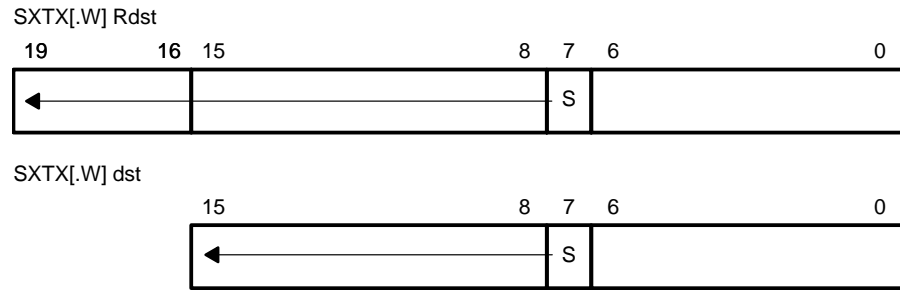


Figure 4–60. Sign Extend SXTX[.W]



* TSTX.A	Test destination address-word
* TSTX[.W]	Test destination word
* TSTX.B	Test destination byte
Syntax	TSTX.A dst TSTX dst or TST.W dst TST.B dst
Operation	dst + 0FFFFFFh + 1 dst + 0FFFFFFh + 1 dst + 0FFh + 1
Emulation	CMPX.A #0,dst CMPX #0,dst CMPX.B #0,dst
Description	The destination operand is compared with zero. The status bits are set according to the result. The destination is not affected.
Status Bits	N: Set if destination is negative, reset if positive Z: Set if destination contains zero, reset otherwise C: Set V: Reset
Mode Bits	OSCOFF, CPUOFF, and GIE are not affected.
Example	RAM byte LEO is tested; PC is pointing to upper memory. If it is negative, continue at LEONEG; if it is positive but not zero, continue at LEOPOS.
	<pre> TSTX.B LEO ; Test LEO JN LEONEG ; LEO is negative JZ LEOZERO ; LEO is zero LEOPOS ; LEO is positive but not zero LEONEG ; LEO is negative LEOZERO ; LEO is zero </pre>

XORX.A	Exclusive OR source address-word with destination address-word
XORX[.W]	Exclusive OR source word with destination word
XORX.B	Exclusive OR source byte with destination byte
Syntax	XORX.A src,dst XORX src,dst or XORX.W src,dst XORX.B src,dst
Operation	src .xor. dst → dst
Description	The source and destination operands are exclusively ORed. The result is placed into the destination. The source operand is not affected. The previous contents of the destination are lost. Both operands may be located in the full address space.
Status Bits	N: Set if result is negative (MSB = 1), reset if positive (MSB = 0) Z: Set if result is zero, reset otherwise C: Set if result is not zero, reset otherwise (carry = .not. Zero) V: Set if both operands are negative (before execution), reset otherwise.
Mode Bits	OSCOFF, CPUOFF, and GIE are not affected.
Example	Toggle bits in address-word CNTR (20-bit data) with information in address-word TONI (20-bit address).
	<pre>XORX.A TONI,&CNTR ; Toggle bits in CNTR</pre>
Example	A table word pointed to by R5 (20-bit address) is used to toggle bits in R6.
	<pre>XORX.W @R5,R6 ; Toggle bits in R6. R6.19:16 = 0</pre>
Example	Reset to zero those bits in the low byte of R7 that are different from the bits in byte EDE (20-bit address).
	<pre>XORX.B EDE,R7 ; Set different bits to 1 in R7 INV.B R7 ; Invert low byte of R7. R7.19:8 = 0.</pre>

4.6.4 Address Instructions

MSP430X address instructions are instructions that support 20-bit operands but have restricted addressing modes. The addressing modes are restricted to the Register mode and the Immediate mode, except for the MOVA instruction. Restricting the addressing modes removes the need for the additional extension-word op-code improving code density and execution time. The MSP430X address instructions are listed and described in the following pages.

ADDA	Add 20-bit source to a 20-bit destination register	
Syntax	ADDA Rsrc,Rdst ADDA #imm20,Rdst	
Operation	src + Rdst → Rdst	
Description	The 20-bit source operand is added to the 20-bit destination CPU register. The previous contents of the destination are lost. The source operand is not affected.	
Status Bits	N: Set if result is negative (Rdst.19 = 1), reset if positive (Rdst.19 = 0) Z: Set if result is zero, reset otherwise C: Set if there is a carry from the 20-bit result, reset otherwise V: Set if the result of two positive operands is negative, or if the result of two negative numbers is positive, reset otherwise.	
Mode Bits	OSCOFF, CPUOFF, and GIE are not affected.	
Example	R5 is increased by 0A4320h. The jump to TONI is performed if a carry occurs.	
	ADDA #0A4320h,R5	; Add A4320h to 20-bit R5
	JC TONI	; Jump on carry
	...	; No carry occurred

* BRA	Branch to destination
Syntax	BRA dst
Operation	dst → PC
Emulation	MOVA dst,PC
Description	An unconditional branch is taken to a 20-bit address anywhere in the full address space. All seven source addressing modes can be used. The branch instruction is an address-word instruction. If the destination address is contained in a memory location X, it is contained in two ascending words: X (LSBs) and (X + 2) (MSBs).
Status Bits	N: Not affected Z: Not affected C: Not affected V: Not affected
Mode Bits	OSCOFF, CPUOFF, and GIE are not affected.
Examples	<p>Examples for all addressing modes are given.</p> <p>Immediate Mode: Branch to label EDE located anywhere in the 20-bit address space or branch directly to address.</p> <pre>BRA #EDE ; MOVA #imm20,PC BRA #01AA04h</pre> <p>Symbolic Mode: Branch to the 20-bit address contained in addresses EXEC (LSBs) and EXEC+2 (MSBs). EXEC is located at the address (PC + X) where X is within ±32 K. Indirect addressing.</p> <pre>BRA EXEC ; MOVA z16(PC),PC</pre> <p>Note: if the 16-bit index is not sufficient, a 20-bit index may be used with the following instruction.</p> <pre>MOVX.A EXEC,PC ; 1M byte range with 20-bit index</pre> <p>Absolute Mode: Branch to the 20-bit address contained in absolute addresses EXEC (LSBs) and EXEC+2 (MSBs). Indirect addressing.</p> <pre>BRA &EXEC ; MOVA &abs20,PC</pre> <p>Register Mode: Branch to the 20-bit address contained in register R5. Indirect R5.</p> <pre>BRA R5 ; MOVA R5,PC</pre>

Indirect Mode: Branch to the 20-bit address contained in the word pointed to by register R5 (LSBs). The MSBs have the address (R5 + 2). Indirect, indirect R5.

BRA @R5 ; MOVA @R5,PC

Indirect, Auto-Increment Mode: Branch to the 20-bit address contained in the words pointed to by register R5 and increment the address in R5 afterwards by 4. The next time the S/W flow uses R5 as a pointer, it can alter the program execution due to access to the next address in the table pointed to by R5. Indirect, indirect R5.

BRA @R5+ ; MOVA @R5+,PC. R5 + 4

Indexed Mode: Branch to the 20-bit address contained in the address pointed to by register (R5 + X) (e.g. a table with addresses starting at X). (R5 + X) points to the LSBs, (R5 + X + 2) points to the MSBs of the address. X is within $R5 \pm 32 K$. Indirect, indirect (R5 + X).

BRA X(R5) ; MOVA z16(R5),PC

Note: if the 16-bit index is not sufficient, a 20-bit index X may be used with the following instruction:

MOVX.A X(R5),PC ; 1M byte range with 20-bit index

CALLA	Call a Subroutine
Syntax	CALLA dst
Operation	dst → tmp 20-bit dst is evaluated and stored SP - 2 → SP PC.19:16 → @SP updated PC with return address to TOS (MSBs) SP - 2 → SP PC.15:0 → @SP updated PC to TOS (LSBs) tmp → PC saved 20-bit dst to PC
Description	A subroutine call is made to a 20-bit address anywhere in the full address space. All seven source addressing modes can be used. The call instruction is an address-word instruction. If the destination address is contained in a memory location X, it is contained in two ascending words: X (LSBs) and (X + 2) (MSBs). Two words on the stack are needed for the return address. The return is made with the instruction RETA.
Status Bits	N: Not affected Z: Not affected C: Not affected V: Not affected
Mode Bits	OSCOFF, CPUOFF, and GIE are not affected.
Examples	Examples for all addressing modes are given. Immediate Mode: Call a subroutine at label EXEC or call directly an address. CALLA #EXEC ; Start address EXEC CALLA #01AA04h ; Start address 01AA04h Symbolic Mode: Call a subroutine at the 20-bit address contained in addresses EXEC (LSBs) and EXEC+2 (MSBs). EXEC is located at the address (PC + X) where X is within ±32 K. Indirect addressing. CALLA EXEC ; Start address at @EXEC. z16(PC) Absolute Mode: Call a subroutine at the 20-bit address contained in absolute addresses EXEC (LSBs) and EXEC+2 (MSBs). Indirect addressing. CALLA &EXEC ; Start address at @EXEC Register Mode: Call a subroutine at the 20-bit address contained in register R5. Indirect R5. CALLA R5 ; Start address at @R5

Indirect Mode: Call a subroutine at the 20-bit address contained in the word pointed to by register R5 (LSBs). The MSBs have the address (R5 + 2). Indirect, indirect R5.

CALLA @R5 ; Start address at @R5

Indirect, Auto-Increment Mode: Call a subroutine at the 20-bit address contained in the words pointed to by register R5 and increment the 20-bit address in R5 afterwards by 4. The next time the S/W flow uses R5 as a pointer, it can alter the program execution due to access to the next word address in the table pointed to by R5. Indirect, indirect R5.

CALLA @R5+ ; Start address at @R5. R5 + 4

Indexed Mode: Call a subroutine at the 20-bit address contained in the address pointed to by register (R5 + X) e.g. a table with addresses starting at X. (R5 + X) points to the LSBs, (R5 + X + 2) points to the MSBs of the word address. X is within R5 ±32 K. Indirect, indirect (R5 + X).

CALLA X(R5) ; Start address at @(R5+X). z16(R5)

* CLRA	Clear 20-bit destination register
Syntax	CLRA Rdst
Operation	0 -> Rdst
Emulation	MOVA #0,Rdst
Description	The destination register is cleared.
Status Bits	Status bits are not affected.
Example	The 20-bit value in R10 is cleared. CLRA R10 ; 0 -> R10

CMPA	Compare the 20-bit source with a 20-bit destination register	
Syntax	CMPA	Rsrc,Rdst
	CMPA	#imm20,Rdst
Operation	(.not. src) + 1 + Rdst or Rdst – src	
Description	The 20-bit source operand is subtracted from the 20-bit destination CPU register. This is made by adding the 1's complement of the source + 1 to the destination register. The result affects only the status bits.	
Status Bits	N:	Set if result is negative (src > dst), reset if positive (src <= dst)
	Z:	Set if result is zero (src = dst), reset otherwise (src ≠ dst)
	C:	Set if there is a carry from the MSB, reset otherwise
	V:	Set if the subtraction of a negative source operand from a positive destination operand delivers a negative result, or if the subtraction of a positive source operand from a negative destination operand delivers a positive result, reset otherwise (no overflow).
Mode Bits	OSCOFF, CPUOFF, and GIE are not affected.	
Example	A 20-bit immediate operand and R6 are compared. If they are equal the program continues at label EQUAL.	
	CMPA	#12345h,R6 ; Compare R6 with 12345h
	JEQ	EQUAL ; R5 = 12345h
	...	; Not equal
Example	The 20-bit values in R5 and R6 are compared. If R5 is greater than (signed) or equal to R6, the program continues at label GRE.	
	CMPA	R6,R5 ; Compare R6 with R5 (R5 – R6)
	JGE	GRE ; R5 >= R6
	...	; R5 < R6

* DECDA	Double-decrement 20-bit destination register
Syntax	DECDA Rdst
Operation	Rdst – 2 → Rdst
Emulation	SUBA #2,Rdst
Description	The destination register is decremented by two. The original contents are lost.
Status Bits	N: Set if result is negative, reset if positive Z: Set if Rdst contained 2, reset otherwise C: Reset if Rdst contained 0 or 1, set otherwise V: Set if an arithmetic overflow occurs, otherwise reset.
Mode Bits	OSCOFF, CPUOFF, and GIE are not affected.
Example	The 20-bit value in R5 is decremented by 2 DECDA R5 ; Decrement R5 by two

* INCDA	Double-increment 20-bit destination register
Syntax	INCDA Rdst
Operation	dst + 2 -> dst
Emulation	ADDA #2,Rdst
Example	The destination register is incremented by two. The original contents are lost.
Status Bits	<p>N: Set if result is negative, reset if positive</p> <p>Z: Set if Rdst contained 0FFFFEh, reset otherwise Set if Rdst contained 0FFFEh, reset otherwise Set if Rdst contained 0FEh, reset otherwise</p> <p>C: Set if Rdst contained 0FFFFEh or 0FFFFFh, reset otherwise Set if Rdst contained 0FFFEh or 0FFFFh, reset otherwise Set if Rdst contained 0FEh or 0FFh, reset otherwise</p> <p>V: Set if Rdst contained 07FFFEh or 07FFFFh, reset otherwise Set if Rdst contained 07FFEh or 07FFFh, reset otherwise Set if Rdst contained 07Eh or 07Fh, reset otherwise</p>
Mode Bits	OSCOFF, CPUOFF, and GIE are not affected.
Example	<p>The 20-bit value in R5 is incremented by 2</p> <p>INCDA R5 ; Increment R5 by two</p>

MOVA	Move the 20-bit source to the 20-bit destination
Syntax	<pre> MOVA Rsrc,Rdst MOVA #imm20,Rdst MOVA z16(Rsrc),Rdst MOVA EDE,Rdst MOVA &abs20,Rdst MOVA @Rsrc,Rdst MOVA @Rsrc+,Rdst MOVA Rsrc,z16(Rdst) MOVA Rsrc,&abs20 </pre>
Operation	<pre> src → Rdst Rsrc → dst </pre>
Description	The 20-bit source operand is moved to the 20-bit destination. The source operand is not affected. The previous content of the destination is lost.
Status Bits	Not affected
Mode Bits	OSCOFF, CPUOFF, and GIE are not affected.
Examples	<p>Copy 20-bit value in R9 to R8.</p> <pre> MOVA R9,R8 ; R9 -> R8 </pre> <p>Write 20-bit immediate value 12345h to R12.</p> <pre> MOVA #12345h,R12 ; 12345h -> R12 </pre> <p>Copy 20-bit value addressed by (R9 + 100h) to R8. Source operand in addresses (R9 + 100h) LSBs and (R9 + 102h) MSBs</p> <pre> MOVA 100h(R9),R8 ; Index: ± 32 K. 2 words transferred </pre> <p>Move 20-bit value in 20-bit absolute addresses EDE (LSBs) and EDE+2 (MSBs) to R12.</p> <pre> MOVA &EDE,R12 ; &EDE -> R12. 2 words transferred </pre> <p>Move 20-bit value in 20-bit addresses EDE (LSBs) and EDE+2 (MSBs) to R12. PC index ±32 K.</p> <pre> MOVA EDE,R12 ; EDE -> R12. 2 words transferred </pre> <p>Copy 20-bit value R9 points to (20 bit address) to R8. Source operand in addresses @R9 LSBs and @(R9 + 2) MSBs.</p> <pre> MOVA @R9,R8 ; @R9 -> R8. 2 words transferred </pre>

Copy 20-bit value R9 points to (20 bit address) to R8. R9 is incremented by four afterwards. Source operand in addresses @R9 LSBs and @(R9 + 2) MSBs.

MOVA @R9+,R8 ; @R9 -> R8. R9 + 4. 2 words transferred.

Copy 20-bit value in R8 to destination addressed by (R9 + 100h). Destination operand in addresses @(R9 + 100h) LSBs and @(R9 + 102h) MSBs.

MOVA R8,100h(R9) ; Index: +- 32 K. 2 words transferred

Move 20-bit value in R13 to 20-bit absolute addresses EDE (LSBs) and EDE+2 (MSBs).

MOVA R13,&EDE ; R13 -> EDE. 2 words transferred

Move 20-bit value in R13 to 20-bit addresses EDE (LSBs) and EDE+2 (MSBs). PC index ± 32 K.

MOVA R13,EDE ; R13 -> EDE. 2 words transferred

* RETA	Return from subroutine
Syntax	RETA
Operation	@SP → PC.15:0 LSBs (15:0) of saved PC to PC.15:0 SP + 2 → SP @SP → PC.19:16 MSBs (19:16) of saved PC to PC.19:16 SP + 2 → SP
Emulation	MOVA @SP+,PC
Description	The 20-bit return address information, pushed onto the stack by a CALLA instruction, is restored to the program counter PC. The program continues at the address following the subroutine call. The status register bits SR.11:0 are not affected. This allows the transfer of information with these bits.
Status Bits	N: Not affected Z: Not affected C: Not affected V: Not affected
Mode Bits	OSCOFF, CPUOFF, and GIE are not affected.
Example	Call a subroutine SUBR from anywhere in the 20-bit address space and return to the address after the CALLA.

```
CALLA    #SUBR            ; Call subroutine starting at SUBR
...
SUBR    PUSHM.A   #2,R14    ; Save R14 and R13 (20 bit data)
...
                          ; Subroutine code
                          ; Restore R13 and R14 (20 bit data)
                          ; Return (to full address space)
```

* TSTA	Test 20-bit destination register
Syntax	TSTA Rdst
Operation	dst + 0FFFFFFh + 1 dst + 0FFFFFFh + 1 dst + 0FFh + 1
Emulation	CMPA #0,Rdst
Description	The destination register is compared with zero. The status bits are set according to the result. The destination register is not affected.
Status Bits	N: Set if destination register is negative, reset if positive Z: Set if destination register contains zero, reset otherwise C: Set V: Reset
Mode Bits	OSCOFF, CPUOFF, and GIE are not affected.
Example	The 20-bit value in R7 is tested. If it is negative, continue at R7NEG; if it is positive but not zero, continue at R7POS.

```

                TSTA    R7            ; Test R7
                JN      R7NEG       ; R7 is negative
                JZ      R7ZERO      ; R7 is zero
R7POS          .....              ; R7 is positive but not zero
R7NEG          .....              ; R7 is negative
R7ZERO        .....              ; R7 is zero

```

SUBA	Subtract 20-bit source from 20-bit destination register
Syntax	SUBA Rsrc,Rdst SUBA #imm20,Rdst
Operation	(.not.src) + 1 + Rdst → Rdst or Rdst – src → Rdst
Description	The 20-bit source operand is subtracted from the 20-bit destination register. This is made by adding the 1's complement of the source + 1 to the destination. The result is written to the destination register, the source is not affected.
Status Bits	N: Set if result is negative (src > dst), reset if positive (src <= dst) Z: Set if result is zero (src = dst), reset otherwise (src ≠ dst) C: Set if there is a carry from the MSB (Rdst.19), reset otherwise V: Set if the subtraction of a negative source operand from a positive destination operand delivers a negative result, or if the subtraction of a positive source operand from a negative destination operand delivers a positive result, reset otherwise (no overflow).
Mode Bits	OSCOFF, CPUOFF, and GIE are not affected.
Example	The 20-bit value in R5 is subtracted from R6. If a carry occurs, the program continues at label TONI. SUBA R5,R6 ; R6 – R5 -> R6 JC TONI ; Carry occurred ... ; No carry

FLL+ Clock Module

The FLL+ clock module provides the clocks for MSP430x4xx devices. This chapter discusses the FLL+ clock module. The FLL+ clock module is implemented in all MSP430x4xx devices.

Topic	Page
5.1 FLL+ Clock Module Introduction	5-2
5.2 FLL+ Clock Module Operation	5-8
5.3 FLL+ Clock Module Registers	5-15

5.1 FLL+ Clock Module Introduction

The frequency-locked loop (FLL+) clock module supports low system cost and ultra low-power consumption. Using three internal clock signals, the user can select the best balance of performance and low power consumption. The FLL+ features digital frequency-locked loop (FLL) hardware. The FLL operates together with a digital modulator and stabilizes the internal digitally controlled oscillator (DCO) frequency to a programmable multiple of the LFXT1 watch crystal frequency. The FLL+ clock module can be configured to operate without any external components, with one or two external crystals, or with resonators, under full software control.

The FLL+ clock module includes two or three clock sources:

- LFXT1CLK: Low-frequency/high-frequency oscillator that can be used either with low-frequency 32768-Hz watch crystals or standard crystals or resonators in the 450-kHz to 8-MHz range. See the device-specific data sheet for details.
- XT2CLK: Optional high-frequency oscillator that can be used with standard crystals, resonators, or external clock sources in the 450-kHz to 8-MHz range. In MSP430F47x3/4 and MSP430F471xx devices the upper limit is 16 MHz. See the device-specific data sheet for details.
- DCOCLK: Internal digitally controlled oscillator (DCO) with RC-type characteristics, stabilized by the FLL.
- VLOCLK: Internal very low power, low frequency oscillator with 12-kHz typical frequency.

Four clock signals are available from the FLL+ module:

- ACLK: Auxiliary clock. The ACLK is software selectable as LFXT1CLK or VLOCLK as clock source. ACLK is software selectable for individual peripheral modules.
- ACLK/n: Buffered output of the ACLK. The ACLK/n is ACLK divided by 1, 2, 4, or 8 and used externally only.
- MCLK: Master clock. MCLK is software selectable as LFXT1CLK, VLOCLK, XT2CLK (if available), or DCOCLK. MCLK can be divided by 1, 2, 4, or 8 within the FLL block. MCLK is used by the CPU and system.
- SMCLK: Sub-main clock. SMCLK is software selectable as XT2CLK (if available) or DCOCLK. SMCLK is software selectable for individual peripheral modules.

The block diagrams of the FLL+ clock module are shown in Figure 5–1 to Figure 5–4.

- ❑ Figure 5–1 shows the block diagram for MSP430x43x, MSP430x44x, MSP430FG47x, MSP430F47x, and MSP430x461x devices.
- ❑ Figure 5–2 shows the block diagram for MSP430x42x and MSP430x41x devices.
- ❑ Figure 5–3 shows the block diagram for MSP430x47x3/4 and MSP430F471xx devices.
- ❑ Figure 5–4 shows the block diagram for MSP430x41x2 devices.

Figure 5-1. MSP430x43x, MSP430x44x, MSP430FG47x, MSP430F47x, and MSP430x461x Frequency-Locked Loop

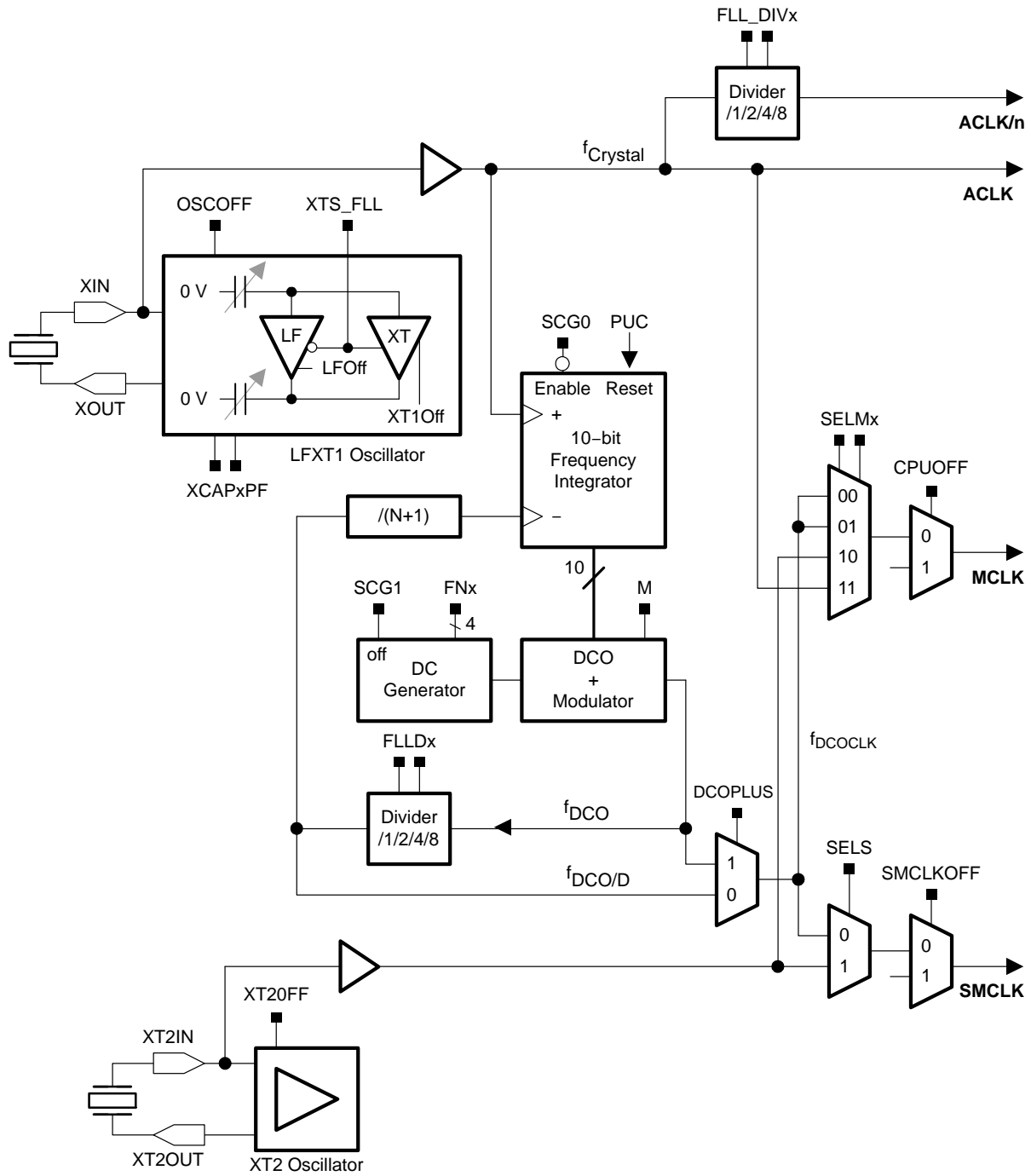


Figure 5–2. MSP430x42x and MSP430x41x Frequency-Locked Loop

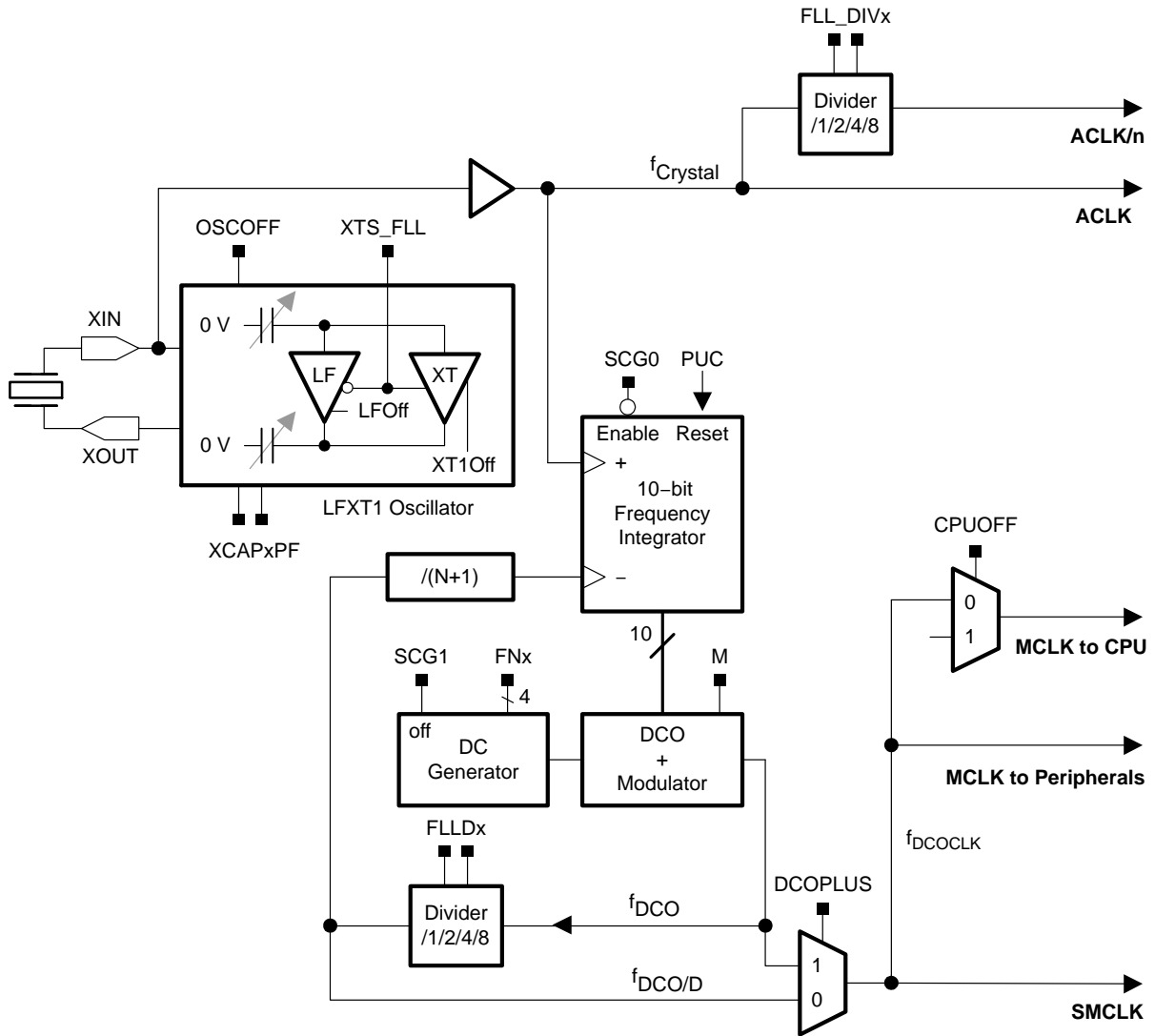


Figure 5–3. MSP430x47x3/4 and MSP430F471xx Frequency-Locked Loop

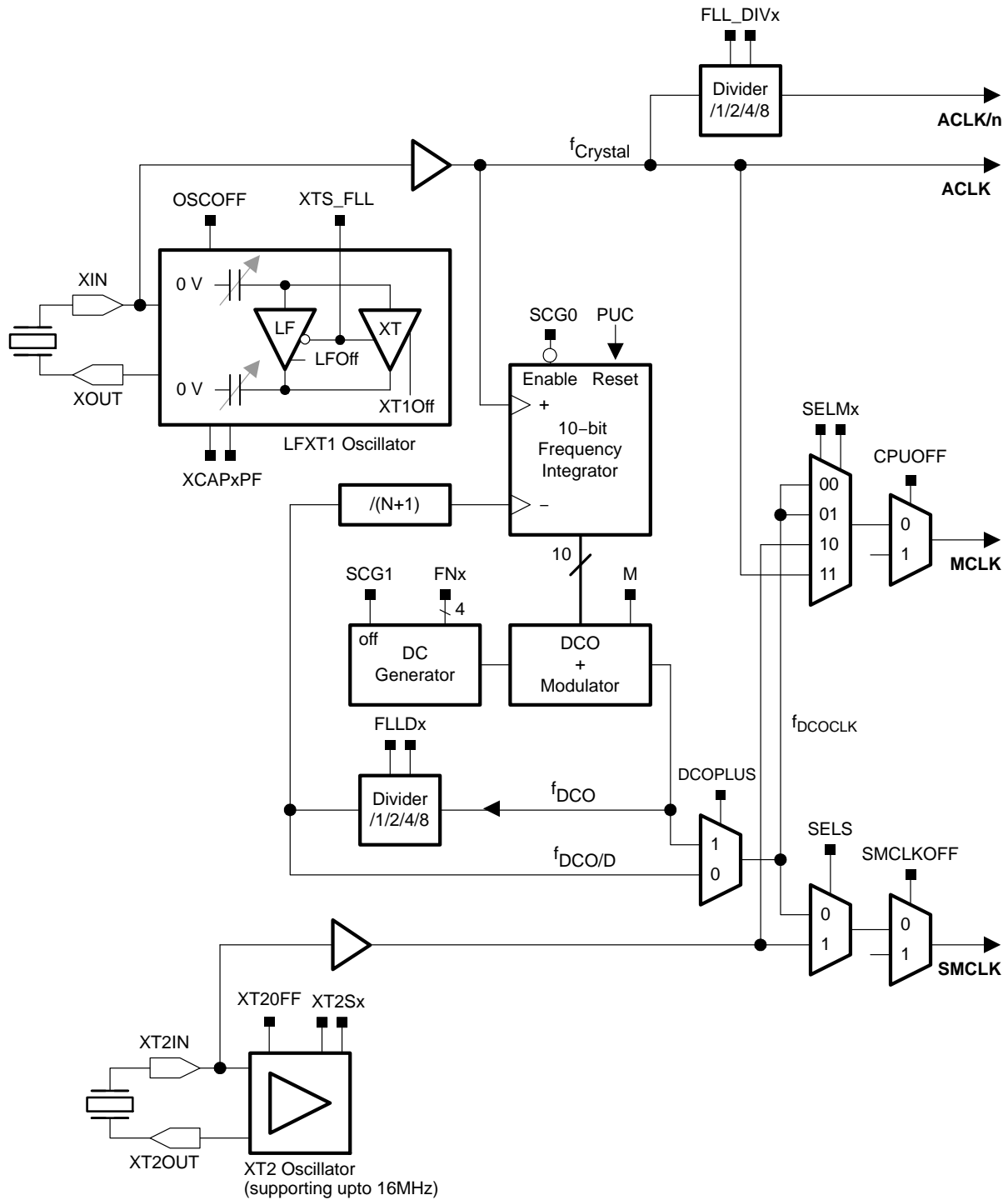
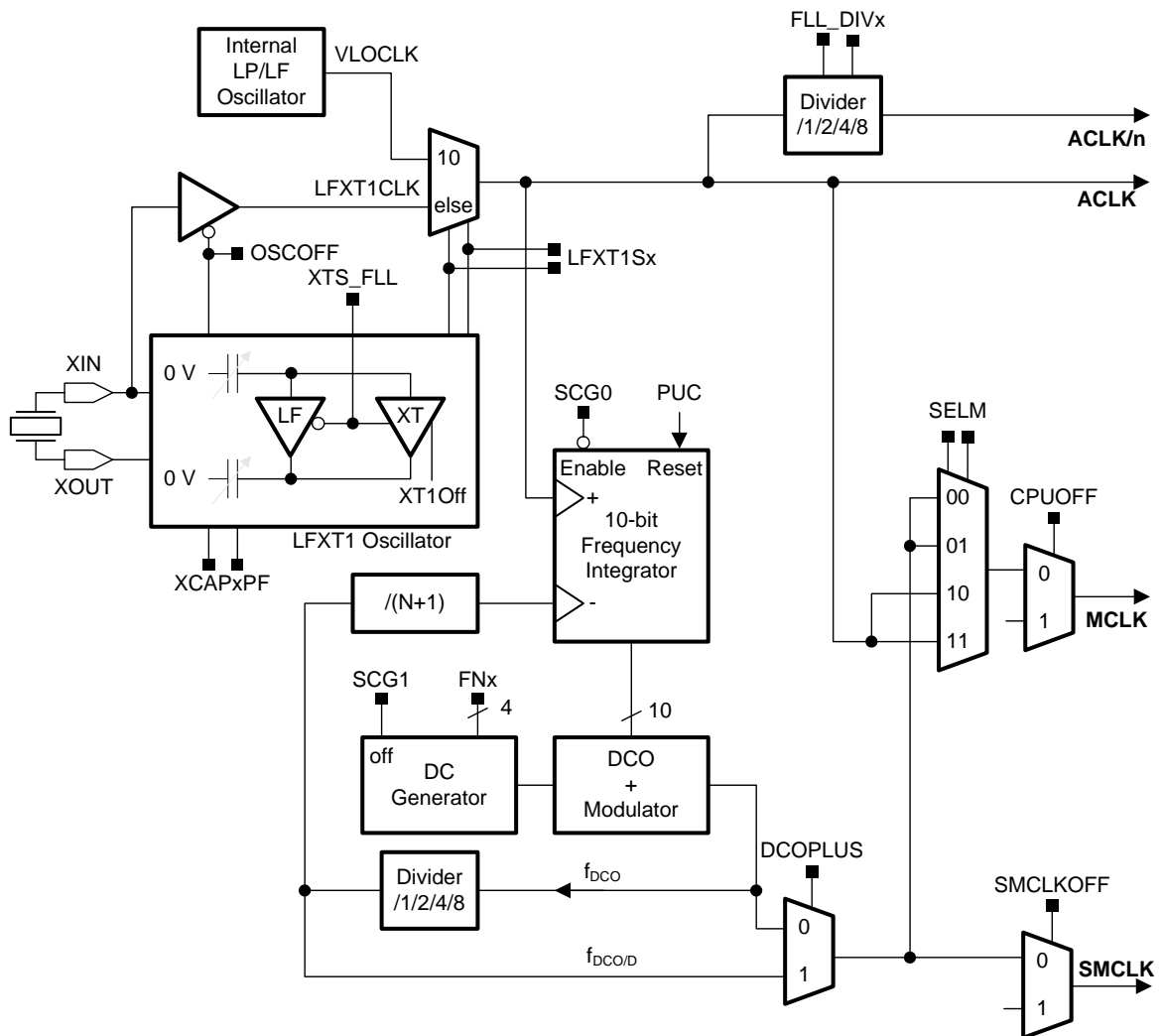


Figure 5-4. MSP430x41x2 Frequency-Locked Loop



5.2 FLL+ Clock Module Operation

After a PUC, MCLK and SMCLK are sourced from DCOCLK at 32 times the ACLK frequency. When a 32768-Hz crystal is used for ACLK, MCLK and SMCLK stabilize to 1.048576 MHz.

Status register control bits SCG0, SCG1, OSCOFF, and CPUOFF configure the MSP430 operating modes and enable or disable components of the FLL+ clock module. See Chapter *System Resets, Interrupts and Operating Modes*. The SCFQCTL, SCFI0, SCFI1, FLL_CTL0, and FLL_CTL1 registers configure the FLL+ clock module. The FLL+ can be configured or reconfigured by software at any time during program execution.

Example, $MCLK = 64 \times ACLK = 2097152$

```

BIC    #GIE,SR           ; Disable interrupts
MOV.B  #(64-1),&SCFQCTL  ; MCLK = 64 * ACLK, DCOPLUS=0
MOV.B  #FN_2,&SCFI0      ; Select DCO range
BIS    #GIE,SR           ; Enable interrupts

```

5.2.1 FLL+ Clock features for Low-Power Applications

Conflicting requirements typically exist in battery-powered MSP430x4xx applications:

- Low clock frequency for energy conservation and time keeping
- High clock frequency for fast reaction to events and fast burst processing capability
- Clock stability over operating temperature and supply voltage

The FLL+ clock module addresses the above conflicting requirements by allowing the user to select from the three available clock signals: ACLK, MCLK, and SMCLK. For optimal low-power performance, the ACLK can be configured to oscillate with a low-power 32786-Hz watch-crystal, providing a stable time base for the system and low-power standby operation. The MCLK can be configured to operate from the on-chip DCO, stabilized by the FLL, and can activate when requested by interrupt events.

The digital frequency-locked loop provides decreased start-time and stabilization delay over an analog phase-locked loop. A phase-locked loop takes hundreds or thousands of clock cycles to start and stabilize. The FLL starts immediately at its previous setting.

5.2.2 Internal Very Low-Power, Low-Frequency Oscillator

The internal very low-power, low-frequency oscillator (VLO) provides a typical frequency of 12kHz (see device-specific data sheet for parameters) without requiring a crystal. VLOCLK source is selected by setting LFXT1Sx = 10 when XTS_FLL = 0. The OSCOFF bit disables the VLO for LPM4. The LFXT1 crystal oscillators are disabled when the VLO is selected reducing current consumption. The VLO consumes no power when not being used.

5.2.3 LFXT1 Oscillator

The LFXT1 oscillator supports ultralow-current consumption using a 32,768-Hz watch crystal in LF mode (XTS_FLL = 0). A watch crystal connects to XIN and XOUT without any external components.

The LFXT1 oscillator supports high-speed crystals or resonators when in HF mode (XTS_FLL = 1). The high-speed crystal or resonator connects to XIN and XOUT.

LFXT1 may be used with an external clock signal on the XIN pin when XTS_FLL = 1. The input frequency range is ~1 Hz to 8 MHz. When the input frequency is below 450 kHz, the XT1OF bit may be set to prevent the CPU from being clocked from the external frequency.

The software-selectable XCAPxPF bits configure the internally provided load capacitance for the LFXT1 crystal. The internal pin capacitance plus the parasitic 2-pF pin capacitance combine serially to form the load capacitance. The load capacitance can be selected as 1, 6, 8, or 10 pF. Additional external capacitors can be added if necessary.

Software can disable LFXT1 by setting OSCOFF if this signal does not source MCLK (SELM ≠ 3 or CPUOFF = 1).

Note: LFXT1 Oscillator Characteristics

Low-frequency crystals often require hundreds of milliseconds to start up, depending on the crystal.

Ultralow-power oscillators such as the LFXT1 in LF mode should be guarded from noise coupling from other sources. The crystal should be placed as close as possible to the MSP430 with the crystal housing grounded and the crystal traces guarded with ground traces.

The default value of XCAPxPF is 0, providing a crystal load capacitance of ~1 pF. Reliable crystal operation may not be achieved unless the crystal is provided with the proper load capacitance, either by selection of XCAPxPF values or by external capacitors.

5.2.4 XT2 Oscillator

Some devices have a second crystal oscillator, XT2. XT2 sources XT2CLK and its characteristics are identical to LFX1 in HF mode, except XT2 does not have internal load capacitors. The required load capacitance for the high-frequency crystal or resonator must be provided externally.

The XT2OFF bit disables the XT2 oscillator if XT2CLK is unused for MCLK (SELMx \neq 2 or CPUOFF = 1) and SMCLK (SELS = 0 or SMCLKOFF = 1).

XT2 may be used with external clock signals on the XT2IN pin. When used with an external signal, the external frequency must meet the data sheet parameters for XT2.

If there is only one crystal in the system it should be connected to LFX1. Using only XT2 causes the LFOF fault flag to remain set, not allowing for the OFIFG to ever be cleared.

XT2 Oscillator in MSP430x47x3/4 and MSP430F471xx Devices

The MSP430x47x3/4 and MSP430F471xx devices have a second crystal oscillator (XT2) that supports crystals up to 16 MHz. XT2 sources XT2CLK. The XT2Sx bits select the range of operation of XT2. The XT2OFF bit disables the XT2 oscillator, if XT2CLK is not used for MCLK or SMCLK as described above.

XT2 may be used with external clock signals on the XT2IN pin when XT2Sx = 11. When used with an external signal, the external frequency must meet the data sheet parameters for XT2. When the input frequency is below the specified lower limit, the XT2OF bit may be set to prevent the CPU from being clocked with XT2CLK.

If there is only one crystal with a frequency below 8 MHz in the system, it should be connected to LFX1. Using only XT2 causes the LFOF fault flag to remain set, not allowing for the OFIFG to ever be cleared.

5.2.5 Digitally Controlled Oscillator (DCO)

The DCO is an integrated ring oscillator with RC-type characteristics. The DCO frequency is stabilized by the FLL to a multiple of ACLK as defined by N, the lowest 7 bits of the SCFQCTL register.

The DCOPLUS bit sets the f_{DCOCLK} frequency to f_{DCO} or $f_{\text{DCO}/D}$. The FLLDx bits configure the divider, D, to 1, 2, 4, or 8. By default, DCOPLUS = 0 and D = 2, providing a clock frequency of $f_{\text{DCO}/2}$ on f_{DCOCLK} .

The multiplier (N+1) and D set the frequency of DCOCLK.

$$\begin{aligned} \text{DCOPLUS} = 0: f_{\text{DCOCLK}} &= (N + 1) \times f_{\text{ACLK}} \\ \text{DCOPLUS} = 1: f_{\text{DCOCLK}} &= D \times (N + 1) \times f_{\text{ACLK}} \end{aligned}$$

DCO Frequency Range

The frequency range of f_{DCO} is selected with the FNx bits as listed in Table 5–1. The range control allows the DCO to operate near the center of the available taps for a given DCOCLK frequency. The user must ensure that MCLK does not exceed the maximum operating frequency. See the device-specific data sheet for parameters.

Table 5–1. DCO Range Control Bits

FN_8	FN_4	FN_3	FN_2	Typical f_{DCO} Range
0	0	0	0	0.65 to 6.1
0	0	0	1	1.3 to 12.1
0	0	1	X	2 to 17.9
0	1	X	X	2.8 to 26.6
1	X	X	X	4.2 to 46

5.2.6 Frequency Locked Loop (FLL)

The FLL continuously counts up or down a 10-bit frequency integrator. The output of the frequency integrator that drives the DCO can be read in SCFI1 and SCFI0. The count is adjusted +1 or –1 with each ACLK crystal period.

Five of the integrator bits, SCFI1 bits 7–3, set the DCO frequency tap. Twenty-nine taps are implemented for the DCO (28, 29, 30, and 31 are equivalent), and each is approximately 10% higher than the previous. The modulator mixes two adjacent DCO frequencies to produce fractional taps. SCFI1 bits 2–0 and SCFI0 bits 1–0 are used for the modulator.

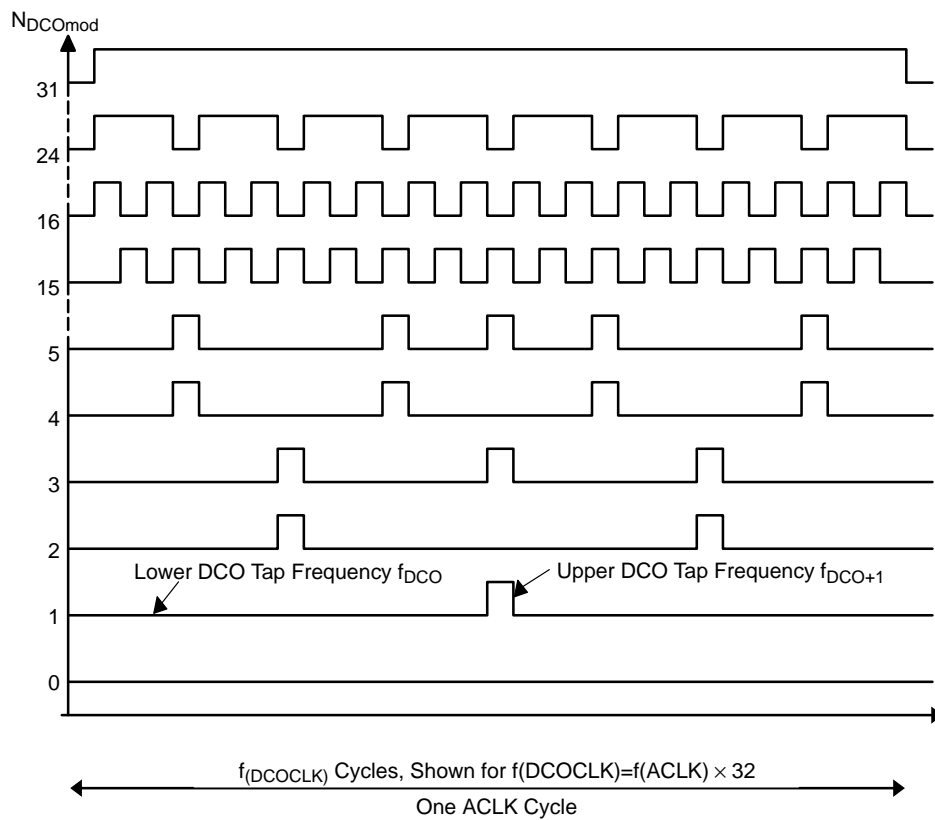
The DCO starts at the lowest tap after a PUC or when SCFI0 and SCFI1 are cleared. Time must be allowed for the DCO to settle on the proper tap for normal operation. 32 ACLK cycles are required between taps requiring a worst case of 28 x 32 ACLK cycles for the DCO to settle.

5.2.7 DCO Modulator

The modulator mixes two adjacent DCO frequencies to produce an intermediate effective frequency and spread the clock energy, reducing electromagnetic interference (EMI). The modulator mixes the two adjacent frequencies across 32 DCOCLK clock cycles.

The error of the effective frequency is zero every 32 DCOCLK cycles and does not accumulate. The modulator settings and DCO control are automatically controlled by the FLL hardware. Figure 5–5 illustrates the modulator operation.

Figure 5–5. Modulator Patterns



5.2.8 Disabling the FLL Hardware and Modulator

The FLL is disabled when the status register bit SCG0 = 1. When the FLL is disabled, the DCO runs at the previously selected tap and DCOCLK is not automatically stabilized.

The DCO modulator is disabled when SCFQ_M = 1. When the DCO modulator is disabled, the DCOCLK is adjusted to the nearest of the available DCO taps.

5.2.9 FLL Operation from Low-Power Modes

An interrupt service request clears SCG1, CPUOFF, and OSCOFF if set but does not clear SCG0. This means that FLL operation from within an interrupt service routine entered from LPM1, 3, or 4, the FLL remains disabled and the DCO operates at the previous setting as defined in SCF10 and SCF11. SCG0 can be cleared by user software if FLL operation is required.

5.2.10 Buffered Clock Output

ACLK may be divided by 1, 2, 4, or 8 and buffered out of the device on P1.5. The division rate is selected with the FLL_DIV bits.

The ACLK output is multiplexed with other pin functions. When multiplexed, the pin must be configured for the ACLK output.

```
BIS.B #BIT5,&P1SEL      ; Select ACLK/n signal as
                        ; output for port P1.5
BIS.B #BIT5,&P1DIR      ; Select port P1.5 to ACLK/n
                        ; signal for output
```

5.2.11 FLL+ Fail-Safe Operation

The FLL+ module incorporates an oscillator-fault fail-safe feature. This feature detects an oscillator fault for LFXT1, DCO and XT2 as shown in Figure 5–6. The available fault conditions are:

- Low-frequency oscillator fault (LFOF) for LFXT1 in LF mode
- High-frequency oscillator fault (XT1OF) for LFXT1 in HF mode
- High-frequency oscillator fault (XT2OF) for XT2
- DCO fault flag (DCOF) for the DCO

The crystal oscillator fault bits LFOF, XT1OF and XT2OF are set if the corresponding crystal oscillator is turned on and not operating properly. The fault bits remain set as long as the fault condition exists and are automatically cleared if the enabled oscillators function normally. During a LFXT1 crystal failure, no ACLK signal is generated and the FLL+ continues to count down to zero in an attempt to lock ACLK and MCLK/(D×[N+1]). The DCO tap moves to the lowest position (SCF11.7 to SCF11.3 are cleared) and the DCOF is set. A DCOF is also generated if the N-multiplier value is set too high for the selected DCO frequency range resulting the DCO tap to move to the highest position (SCF11.7 to SCF11.3 are set). The DCOF is cleared automatically if the DCO tap is not in the lowest or the highest positions.

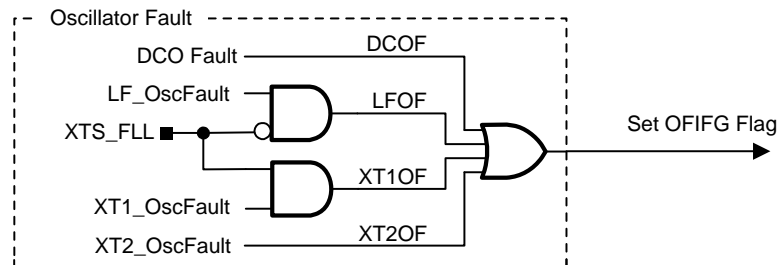
The OFIFG oscillator-fault interrupt flag is set and latched at POR or when an oscillator fault (LFOF, XT1OF, XT2OF, or DCOF set) is detected. When OFIFG is set, MCLK is sourced from the DCO, and if OFIE is set, the OFIFG requests an NMI interrupt. When the interrupt is granted, the OFIE is reset automatically. The OFIFG flag must be cleared by software. The source of the fault can be identified by checking the individual fault bits.

When OFIFG is set and MCLK is automatically switched to the DCO, the SELMx bit settings are not changed. This condition must be handled by user software.

Note: DCO Active During Oscillator Fault

DCOCLK is active even at the lowest DCO tap. The clock signal is available for the CPU to execute code and service an NMI during an oscillator fault.

Figure 5–6. Oscillator Fault Logic



5.3 FLL+ Clock Module Registers

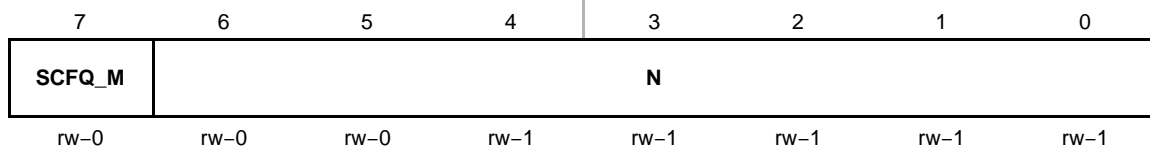
The FLL+ registers are listed in Table 5–2.

Table 5–2. FLL+ Registers

Register	Short Form	Register Type	Address	Initial State
System clock control	SCFQCTL	Read/write	052h	01Fh with PUC
System clock frequency integrator 0	SCFI0	Read/write	050h	040h with PUC
System clock frequency integrator 1	SCFI1	Read/write	051h	Reset with PUC
FLL+ control register 0	FLL_CTL0	Read/write	053h	003h with PUC
FLL+ control register 1	FLL_CTL1	Read/write	054h	Reset with PUC
FLL+ control register 2†	FLL_CTL2	Read/write	055h	Reset with PUC
SFR interrupt enable register 1	IE1	Read/write	000h	Reset with PUC
SFR interrupt flag register 1	IFG1	Read/write	002h	Reset with PUC

† MSP430F41x2, MSP430F47x3/4, and MSP430F471xx devices only.

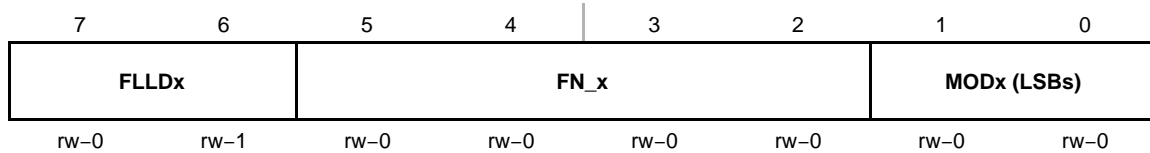
SCFQCTL, System Clock Control Register



SCFQ_M Bit 7 Modulation. This enables or disables modulation.
 0 Modulation enabled
 1 Modulation disabled

N Bits 6-0 Multiplier. These bits set the multiplier value for the DCO. N must be > 0 or unpredictable operation results.
 When DCOPLUS = 0: $f_{DCOCLK} = (N + 1) \cdot f_{crystal}$
 When DCOPLUS = 1: $f_{DCOCLK} = D \times (N + 1) \cdot f_{crystal}$

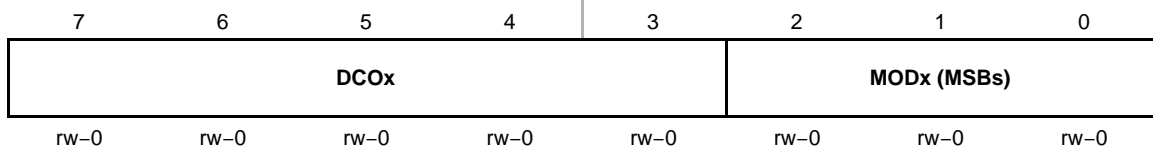
SCFI0, System Clock Frequency Integrator Register 0



FLLDx Bits 7-6 FLL+ loop divider. These bits divide f_{DCOCLK} in the FLL+ feedback loop. This results in an additional multiplier for the multiplier bits. See also multiplier bits.
 00 /1
 01 /2
 10 /4
 11 /8

FN_x Bits 5-2 DCO range control. These bits select the f_{DCO} operating range.
 0000 0.65 to 6.1 MHz
 0001 1.3 to 12.1 MHz
 001x 2 to 17.9 MHz
 01xx 2.8 to 26.6 MHz
 1xxx 4.2 to 46 MHz

MODx Bits 1-0 Least significant modulator bits. Bit 0 is the modulator LSB. These bits affect the modulator pattern. All MODx bits are modified automatically by the FLL+.

SCFI1, System Clock Frequency Integrator Register 1

DCOx	Bits 7-3	These bits select the DCO tap and are modified automatically by the FLL+.
MODx	Bit 2	Most significant modulator bits. Bit 2 is the modulator MSB. These bits affect the modulator pattern. All MODx bits are modified automatically by the FLL+.

FLL_CTL0, FLL+ Control Register 0

7	6	5	4	3	2	1	0
DCOPLUS	XTS_FLL	XCAPxPF		XT2OF†	XT1OF	LFOF	DCOF
rw-0	rw-0	rw-0	rw-0	r-0	r-0	r-(1)	r-1

† Not present in MSP430x41x, MSP430x42x devices

DCOPLUS	Bit 7	DCO output pre-divider. This bit selects if the DCO output is pre-divided before sourcing MCLK or SMCLK. The division rate is selected with the FLL_D bits 0 DCO output is divided 1 DCO output is not divided
XTS_FLL	Bit 6	LFTX1 mode select 0 Low frequency mode 1 High frequency mode
XCAPxPF	Bits 5-4	Oscillator capacitor selection. These bits select the effective capacitance seen by the LFXT1 crystal or resonator. Should be set to 00 if the high-frequency mode is selected for LFXT1 with XTS_FLL = 1. 00 ~1 pF 01 ~6 pF 10 ~8 pF 11 ~10 pF
XT2OF	Bit 3	XT2 oscillator fault. Not present in MSP430x41x, and MSP430x42x devices. 0 No fault condition present 1 Fault condition present
XT1OF	Bit 2	LFXT1 high-frequency oscillator fault 0 No fault condition present 1 Fault condition present
LFOF	Bit 1	LFXT1 low-frequency oscillator fault 0 No fault condition present 1 Fault condition present
DCOF	Bit 0	DCO oscillator fault 0 No fault condition present 1 Fault condition present

FLL_CTL1, FLL+ Control Register 1

7	6	5	4	3	2	1	0
LFXT1DIG[‡]	SMCLK OFF[†]	XT2OFF[†]	SELMx[†]		SELS[†]	FLL_DIVx	
rw-0	rw-0	rw-(1)	rw-(0)	rw-(0)	rw-(0)	rw-(0)	rw-(0)

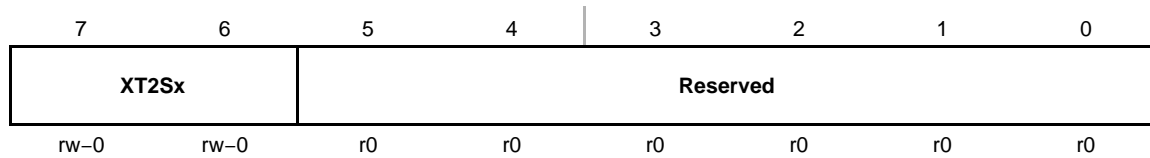
[†] Not present in MSP430x41x, MSP430x42x devices except MSP430F41x2.

[‡] Only supported by MSP430xG46x, MSP430FG47x, MSP430F47x, MSP430x47x3/4, and MSP430F471xx devices. Otherwise unused.

LFXT1DIG	Bit 7	Select digital external clock source. This bit enables the input of an external digital clock signal on XIN in low-frequency mode (XTS_FLL = 0). Only supported in MSP430xG46x, MSP430FG47x, MSP430F47x, MSP430x47x3/4, and MSP430F471xx devices. 0 Crystal input selected 1 Digital clock input selected
SMCLKOFF	Bit 6	SMCLK off. This bit turns off SMCLK. Not present in MSP430x41x and MSPx42x devices. 0 SMCLK is on 1 SMCLK is off
XT2OFF	Bit 5	XT2 off. This bit turns off the XT2 oscillator. Not present in MSP430x41x and MSPx42x devices. 0 XT2 is on 1 XT2 is off if it is not used for MCLK or SMCLK
SELMx	Bits 4-3	Select MCLK. These bits select the MCLK source. Not present in MSP430x41x and MSP430x42x devices except MSP430F41x2. 00 DCOCLK 01 DCOCLK 10 XT2CLK 11 LFXT1CLK In the MSP430F41x2 devices: 00 DCOCLK 01 DCOCLK 10 LFXT1CLK or VLO 11 LFXT1CLK or VLO
SELS	Bit 2	Select SMCLK. This bit selects the SMCLK source. Not present in MSP430x41x and MSP430x42x devices. 0 DCOCLK 1 XT2CLK
FLL_DIVx	Bits 1-0	ACLK divider 00 /1 01 /2 10 /4 11 /8

FLL_CTL2, FLL+ Control Register 2

(MSP430x47x3/4, and MSP430F471xx devices only)



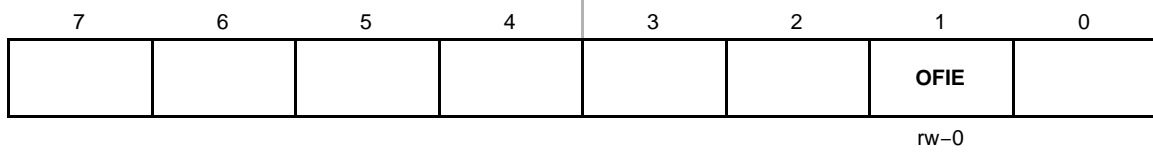
- | | | |
|-----------------|-------------|---|
| XT2Sx | Bits
7-6 | XT2 range select. These bits select the frequency range for XT2.
00 0.4 to 1-MHz crystal or resonator
01 1 to 3-MHz crystal or resonator
10 3 to 16-MHz crystal or resonator
11 Digital external 0.4 to 16-MHz clock source |
| Reserved | Bits
5-0 | Reserved. |

FLL_CTL2, FLL+ Control Register 2

(MSP430F41x2 devices only)



- | | | |
|-----------------|-------------|--|
| Reserved | Bits
7-6 | Reserved. |
| LFXT1Sx | Bits
5-4 | Low-frequency clock select and LFXT1 range select. These bits select between LFXT1 and VLO when XTS_FLL = 0.
When XTS_FLL = 0:
00 32768-Hz crystal on LFXT1
01 Reserved
10 VLOCLK
11 Digital external clock source
When XTS_FLL = 1:
00 Reserved
01 Reserved
10 Reserved
11 Reserved |
| Reserved | Bits
3-0 | Reserved. |

IE1, Interrupt Enable Register 1

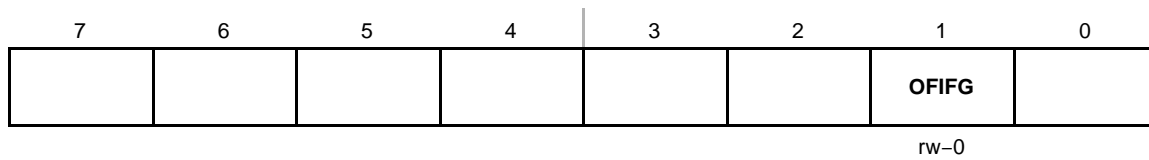
Bits 7-2 These bits may be used by other modules. See device-specific data sheet.

OFIE Bit 1 Oscillator fault interrupt enable. This bit enables the OFIFG interrupt. Because other bits in IE1 may be used for other modules, it is recommended to set or clear this bit using `BIS.B` or `BIC.B` instructions, rather than `MOV.B` or `CLR.B` instructions.

0 Interrupt not enabled
1 Interrupt enabled

Bits 0 This bit may be used by other modules. See device-specific data sheet.

IFG1, Interrupt Flag Register 1



Bits 7-2 These bits may be used by other modules. See device-specific data sheet.

OFIFG Bit 1 Oscillator fault interrupt flag. Because other bits in IFG1 may be used for other modules, it is recommended to set or clear this bit using `BIS.B` or `BIC.B` instructions, rather than `MOV.B` or `CLR.B` instructions.

0 No interrupt pending
1 Interrupt pending

Bits 0 This bit may be used by other modules. See device-specific data sheet.

Flash Memory Controller

This chapter describes the operation of the MSP430 flash memory controller.

Topic	Page
6.1 Flash Memory Introduction	6-2
6.2 Flash Memory Segmentation	6-4
6.3 Flash Memory Operation	6-6
6.4 Flash Memory Registers	6-21

6.1 Flash Memory Introduction

The MSP430 flash memory is bit-, byte-, and word-addressable and programmable. The flash memory module has an integrated controller that controls programming and erase operations. The controller has three or four registers (see the device-specific data sheet), a timing generator, and a voltage generator to supply program and erase voltages.

MSP430 flash memory features include:

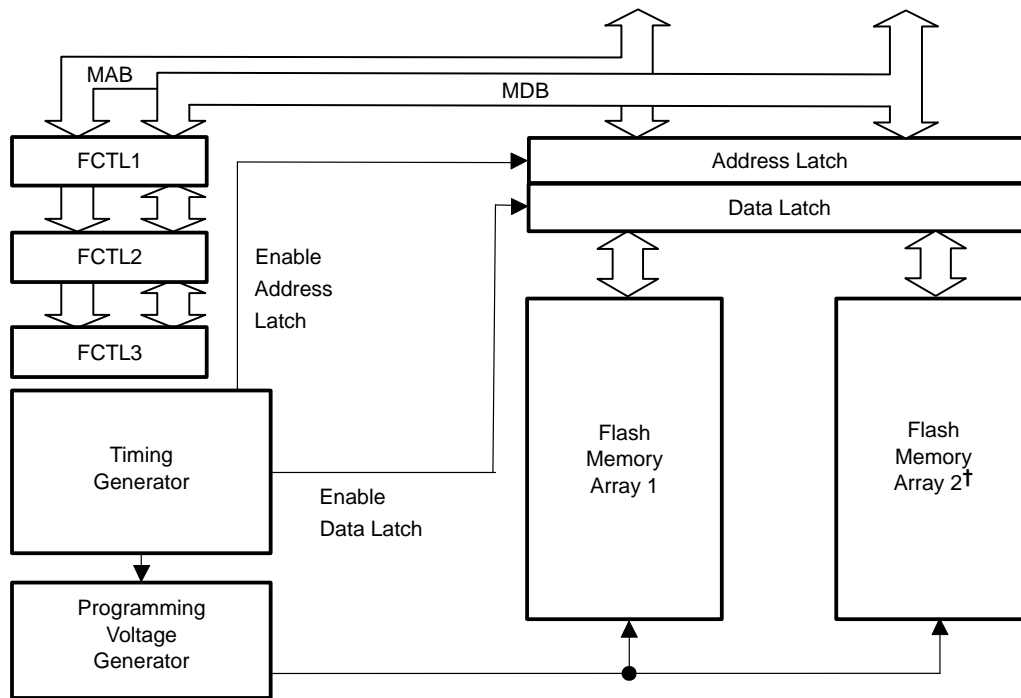
- Internal programming voltage generation
- Bit, byte, or word programmable
- Ultralow-power operation
- Segment erase and mass erase
- Marginal 0 and marginal 1 read mode (implemented in MSP430FG47x, MSP430F47x, MSP430F47x3/4, and MSP430F471xx devices only (see the device-specific data sheet)).

The block diagram of the flash memory and controller is shown in Figure 6–1.

Note: Minimum V_{CC} During Flash Write or Erase

The minimum V_{CC} voltage during a flash write or erase operation is between 2.2 V and 2.7 V (see the device-specific data sheet). If V_{CC} falls below the minimum V_{CC} during a write or erase, the result of the write or erase is unpredictable.

Figure 6–1. Flash Memory Module Block Diagram



† MSP430FG461x devices only

6.2 Flash Memory Segmentation

MSP430FG461x devices have two flash memory arrays. Other MSP430x4xx devices have one flash array. All flash memory is partitioned into segments. Single bits, bytes, or words can be written to flash memory, but the segment is the smallest size of flash memory that can be erased.

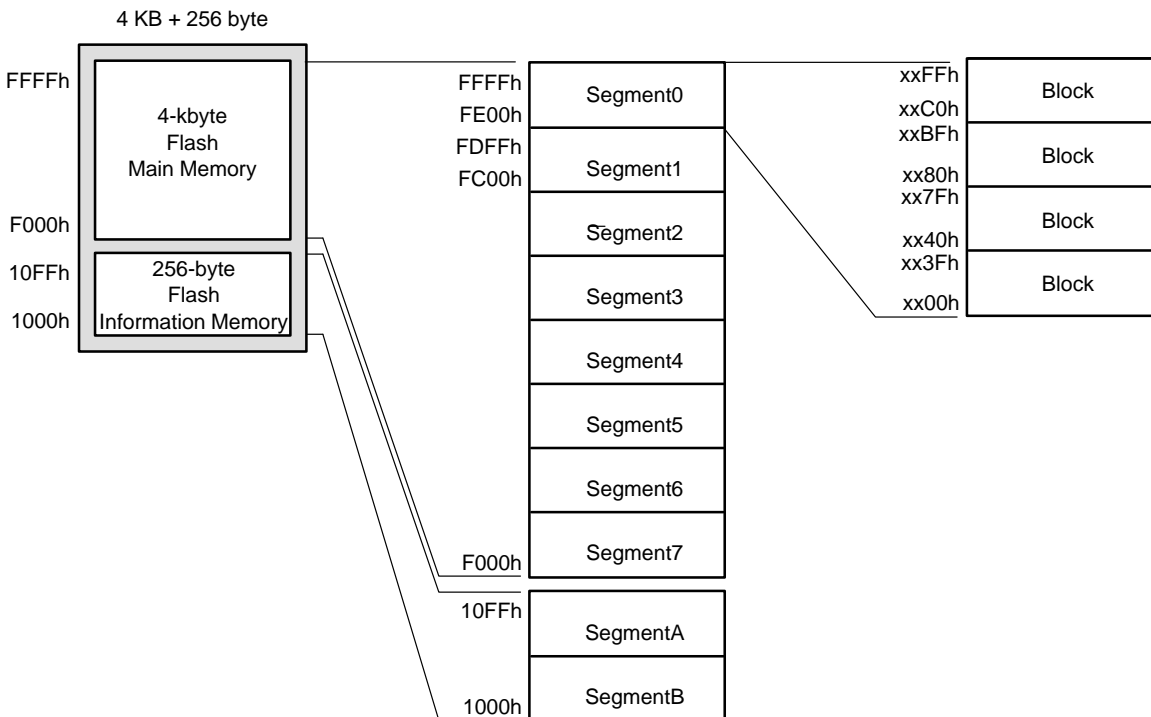
The flash memory is partitioned into main and information memory sections. There is no difference in the operation of the main and information memory sections. Code or data can be located in either section. The differences between the two sections are the segment size and the physical addresses.

The information memory has four 64-byte segments on the MSP430FG47x, MSP430F47x, MSP430F47x3/4, and MSP430F471xx devices or two 128-byte segments on all other MSP430x4xx devices. The main memory has two or more 512-byte segments. See the device-specific data sheet for the complete memory map of a device.

The segments are further divided into blocks.

Figure 6–2 shows the flash segmentation using an example of 4-KB flash that has eight main segments and two information segments.

Figure 6–2. Flash Memory Segments, 4-KB Example



6.2.1 SegmentA on MSP430FG47x, MSP430F47x, MSP430F47x3/4, and MSP430F471xx Devices

On MSP430FG47x, MSP430F47x, MSP430F47x3/4, and MSP430F471xx devices, SegmentA of the information memory is locked separately from all other segments with the LOCKA bit. When LOCKA = 1, SegmentA cannot be written or erased and all information memory is protected from erasure during a mass erase or production programming. When LOCKA = 0, SegmentA can be erased and written as any other flash memory segment, and all information memory is erased during a mass erase or production programming.

The state of the LOCKA bit is toggled when a 1 is written to it. Writing a 0 to LOCKA has no effect. This allows existing flash programming routines to be used unchanged.

```

; Unlock SegmentA
    BIT    #LOCKA,&FCTL3           ; Test LOCKA
    JZ     SEGA_UNLOCKED          ; Already unlocked?
    MOV    #FWKEY+LOCKA,&FCTL3     ; No, unlock SegmentA
SEGA_UNLOCKED                       ; Yes, continue
; SegmentA is unlocked

; Lock SegmentA
    BIT    #LOCKA,&FCTL3           ; Test LOCKA
    JNZ    SEGALOCKED             ; Already locked?
    MOV    #FWKEY+LOCKA,&FCTL3     ; No, lock SegmentA
SEGA_LOCKED                          ; Yes, continue
; SegmentA is locked

```

6.3 Flash Memory Operation

The default mode of the flash memory is read mode. In read mode, the flash memory is not being erased or written, the flash timing generator and voltage generator are off, and the memory operates identically to ROM.

MSP430 flash memory is in-system programmable (ISP) without the need for additional external voltage. The CPU can program its own flash memory. The flash memory write/erase modes are selected with the BLKWRT, WRT, GMERAS, MERAS, and ERASE bits and are:

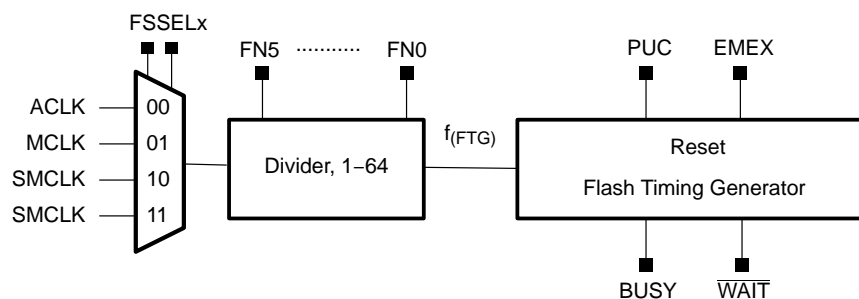
- Byte/word write
- Block write
- Segment erase
- Mass erase (all main memory segments)
- All erase (all segments)

Reading or writing to flash memory while it is being programmed or erased is prohibited. If CPU execution is required during the write or erase, the code to be executed must be in RAM. Any flash update can be initiated from within flash memory or RAM.

6.3.1 Flash Memory Timing Generator

Write and erase operations are controlled by the flash timing generator shown in Figure 6–3. The flash timing generator operating frequency, f_{FTG} , must be in the range from ~ 257 kHz to ~ 476 kHz (see device-specific data sheet).

Figure 6–3. Flash Memory Timing Generator Block Diagram



The flash timing generator can be sourced from ACLK, SMCLK, or MCLK. The selected clock source should be divided using the FNx bits to meet the frequency requirements for f_{FTG} . If the f_{FTG} frequency deviates from the specification during the write or erase operation, the result of the write or erase may be unpredictable, or the flash memory may be stressed above the limits of reliable operation.

6.3.2 Erasing Flash Memory

The erased level of a flash memory bit is 1. Each bit can be programmed from 1 to 0 individually but to reprogram from 0 to 1 requires an erase cycle. The smallest amount of flash that can be erased is a segment. Erase modes are selected with the GMERAS (MSP430FG461x devices), MERAS, and ERASE bits listed in Table 6–1, Table 6–2, and Table 6–3.

Table 6–1. MSP430FG461x Erase Modes

GMERAS	MERAS	ERASE	Erase Mode
X	0	1	Segment erase
0	1	0	Mass erase (all main memory segments of selected memory array)
0	1	1	Erase all flash memory (main and information segments of selected memory array)
1	1	0	Global mass erase (all main memory segments of both memory arrays)
1	1	1	Erase main memory and information segments of both memory arrays

Table 6–2. MSP430FG47x, MSP430F47x, MSP430F47x3/4, and F471xx Erase Modes

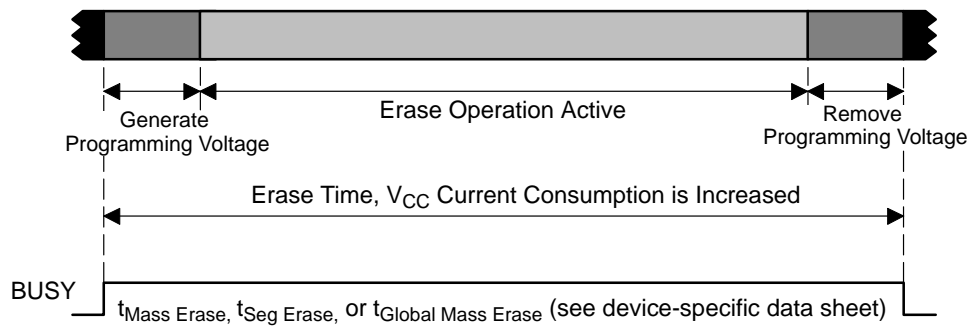
MERAS	ERASE	Erase Mode
0	1	Segment erase
1	0	Mass erase (all main memory segments)
1	1	LOCKA = 0: Erase main and information flash memory. LOCKA = 1: Erase only main flash memory.

Table 6–3. Erase Modes

MERAS	ERASE	Erase Mode
0	1	Segment erase
1	0	Mass erase (all main memory segments)
1	1	Erase all flash memory (main and information segments)

Any erase is initiated by a dummy write into the address range to be erased. The dummy write starts the flash timing generator and the erase operation. Figure 6–4 shows the erase cycle timing. The BUSY bit is set immediately after the dummy write and remains set throughout the erase cycle. BUSY, GMERAS (when present), MERAS, and ERASE are automatically cleared when the cycle completes. The erase cycle timing is not dependent on the amount of flash memory present on a device. Erase cycle times are device-specific (see the device-specific data sheet).

Figure 6–4. Erase Cycle Timing



A dummy write to an address not in the range to be erased does not start the erase cycle, does not affect the flash memory, and is not flagged in any way. This errant dummy write is ignored.

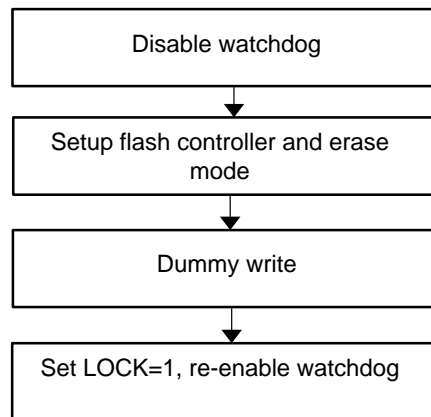
Initiating an Erase from Within Flash Memory

Any erase cycle can be initiated from within flash memory or from RAM. When a flash segment erase operation is initiated from within flash memory, all timing is controlled by the flash controller, and the CPU is held while the erase cycle completes. After the erase cycle completes, the CPU resumes code execution with the instruction following the dummy write.

When initiating an erase cycle from within flash memory, it is possible to erase the code needed for execution after the erase. If this occurs, CPU execution is unpredictable after the erase cycle.

The flow to initiate an erase from flash is shown in Figure 6–5.

Figure 6–5. Erase Cycle from Within Flash Memory



```

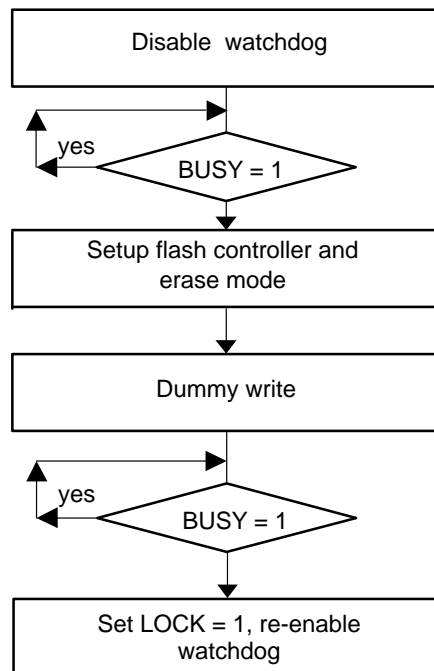
; Segment Erase from flash. 514 kHz < SMCLK < 952 kHz
; Assumes ACCVIE = NMIIE = OFIE = 0.
MOV    #WDTPW+WDTHOLD,&WDTCTL    ; Disable WDT
MOV    #FWKEY+FSSEL1+FN0,&FCTL2  ; SMCLK/2
MOV    #FWKEY,&FCTL3             ; Clear LOCK
MOV    #FWKEY+ERASE,&FCTL1       ; Enable segment erase
CLR    &0FC10h                   ; Dummy write, erase S1
MOV    #FWKEY+LOCK,&FCTL3        ; Done, set LOCK
...
; Re-enable WDT?
  
```

Initiating an Erase from RAM

Any erase cycle may be initiated from RAM. In this case, the CPU is not held and can continue to execute code from RAM. The BUSY bit must be polled to determine the end of the erase cycle before the CPU can access any flash address again. If a flash access occurs while BUSY = 1, it is an access violation, ACCVIFG is set, and the erase results are unpredictable.

The flow to initiate an erase from RAM is shown in Figure 6-6.

Figure 6-6. Erase Cycle from Within RAM



```

; Segment Erase from RAM. 514 kHz < SMCLK < 952 kHz
; Assumes ACCVIE = NMIIIE = OFIE = 0.
MOV #WDTPW+WDTHOLD,&WDTCTL ; Disable WDT
L1 BIT #BUSY,&FCTL3 ; Test BUSY
JNZ L1 ; Loop while busy
MOV #FWKEY+FSSEL1+FN0,&FCTL2 ; SMCLK/2
MOV #FWKEY,&FCTL3 ; Clear LOCK
MOV #FWKEY+ERASE,&FCTL1 ; Enable erase
CLR &0FC10h ; Dummy write, erase S1
L2 BIT #BUSY,&FCTL3 ; Test BUSY
JNZ L2 ; Loop while busy
MOV #FWKEY+LOCK,&FCTL3 ; Done, set LOCK
... ; Re-enable WDT?
  
```

6.3.3 Writing Flash Memory

The write modes, selected by the WRT and BLKWRT bits, are listed in Table 6–4.

Table 6–4. Write Modes

BLKWRT	WRT	Write Mode
0	1	Byte/word write
1	1	Block write

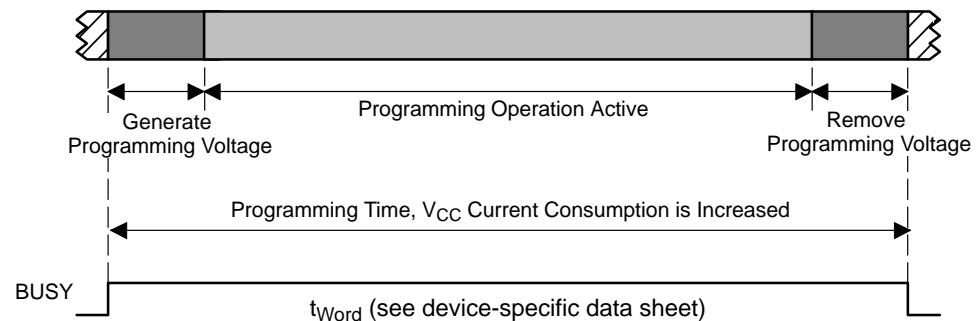
Both write modes use a sequence of individual write instructions, but using the block write mode is approximately twice as fast as byte/word mode, because the voltage generator remains on for the complete block write. Any instruction that modifies a destination can be used to modify a flash location in either byte/word mode or block-write mode. A flash word (low + high byte) must not be written more than twice between erasures. Otherwise, damage can occur.

The BUSY bit is set while a write operation is active and cleared when the operation completes. If the write operation is initiated from RAM, the CPU must not access flash while BUSY = 1. Otherwise, an access violation occurs, ACCVIFG is set, and the flash write is unpredictable.

Byte/Word Write

A byte/word write operation can be initiated from within flash memory or from RAM. When initiating from within flash memory, all timing is controlled by the flash controller, and the CPU is held while the write completes. After the write completes, the CPU resumes code execution with the instruction following the write. The byte/word write timing is shown in Figure 6–7.

Figure 6–7. Byte/Word Write Timing



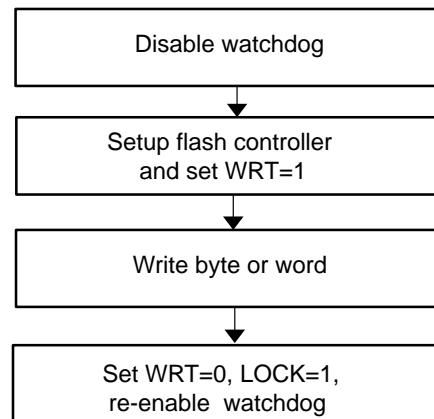
When a byte/word write is executed from RAM, the CPU continues to execute code from RAM. The BUSY bit must be zero before the CPU accesses flash again, otherwise an access violation occurs, ACCVIFG is set, and the write result is unpredictable.

In byte/word mode, the internally generated programming voltage is applied to the complete 64-byte block each time a byte or word is written for t_{WORD} minus $3t_{\text{FTG}}$ cycles. With each byte or word write, the amount of time the block is subjected to the programming voltage accumulates. The cumulative programming time, t_{CPT} , must not be exceeded for any block. If the cumulative programming time is met, the block must be erased before performing any further writes to any address within the block. See the device-specific data sheet for specifications.

Initiating a Byte/Word Write from Within Flash Memory

The flow to initiate a byte/word write from flash is shown in Figure 6–8.

Figure 6–8. Initiating a Byte/Word Write from Flash



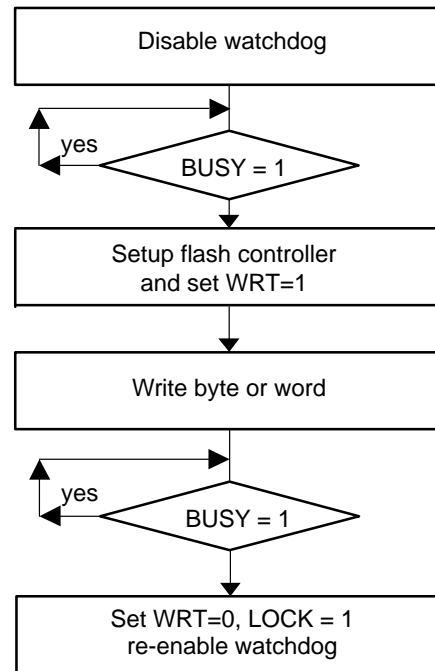
```

; Byte/word write from flash. 514 kHz < SMCLK < 952 kHz
; Assumes 0FF1Eh is already erased
; Assumes ACCVIE = NMIIIE = OFIE = 0.
MOV    #WDTPW+WDTHOLD,&WDTCTL    ; Disable WDT
MOV    #FWKEY+FSSEL1+FN0,&FCTL2   ; SMCLK/2
MOV    #FWKEY,&FCTL3              ; Clear LOCK
MOV    #FWKEY+WRT,&FCTL1          ; Enable write
MOV    #0123h,&0FF1Eh             ; 0123h -> 0FF1Eh
MOV    #FWKEY,&FCTL1              ; Done. Clear WRT
MOV    #FWKEY+LOCK,&FCTL3         ; Set LOCK
...
; Re-enable WDT?
  
```


Initiating a Byte/Word Write from RAM

The flow to initiate a byte/word write from RAM is shown in Figure 6–9.

Figure 6–9. Initiating a Byte/Word Write from RAM



```

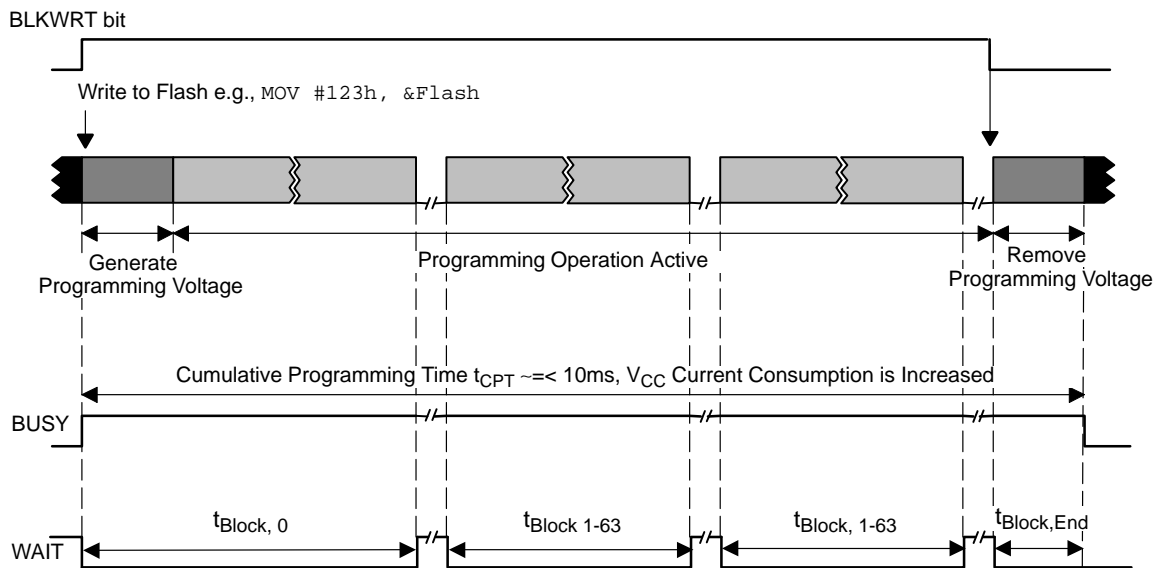
; Byte/word write from RAM. 514 kHz < SMCLK < 952 kHz
; Assumes 0FF1Eh is already erased
; Assumes ACCVIE = NMIIIE = OFIE = 0.
    MOV    #WDTPW+WDTHOLD,&WDTCTL    ; Disable WDT
L1 BIT    #BUSY,&FCTL3                ; Test BUSY
    JNZ   L1                          ; Loop while busy
    MOV   #FWKEY+FSSEL1+FN0,&FCTL2    ; SMCLK/2
    MOV   #FWKEY,&FCTL3               ; Clear LOCK
    MOV   #FWKEY+WRT,&FCTL1           ; Enable write
    MOV   #0123h,&0FF1Eh              ; 0123h -> 0FF1Eh
L2 BIT    #BUSY,&FCTL3                ; Test BUSY
    JNZ   L2                          ; Loop while busy
    MOV   #FWKEY,&FCTL1               ; Clear WRT
    MOV   #FWKEY+LOCK,&FCTL3          ; Set LOCK
    ...
    ; Re-enable WDT?
  
```

Block Write

The block write can be used to accelerate the flash write process when many sequential bytes or words need to be programmed. The flash programming voltage remains on for the duration of writing the 64-byte block. The cumulative programming time t_{CPT} must not be exceeded for any block during a block write.

A block write cannot be initiated from within flash memory. The block write must be initiated from RAM only. The BUSY bit remains set throughout the duration of the block write. The WAIT bit must be checked between writing each byte or word in the block. When WAIT is set the next byte or word of the block can be written. When writing successive blocks, the BLKWRT bit must be cleared after the current block is complete. BLKWRT can be set initiating the next block write after the required flash recovery time given by t_{End} . BUSY is cleared following each block write completion indicating the next block can be written. Figure 6–10 shows the block write timing; see device-specific data sheet for specifications.

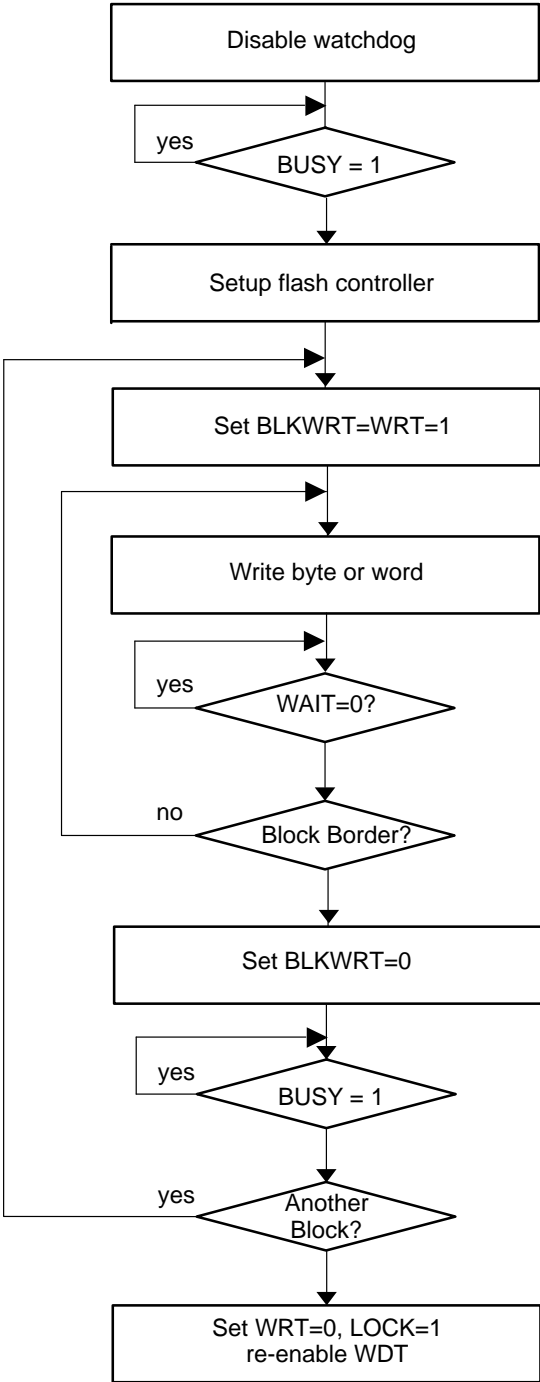
Figure 6–10. Block-Write Cycle Timing



Block Write Flow and Example

A block write flow is shown in Figure 6–11 and in the following example.

Figure 6–11. Block Write Flow



```
; Write one block starting at 0F000h.
; Must be executed from RAM, Assumes Flash is already erased.
; 514 kHz < SMCLK < 952 kHz
; Assumes ACCVIE = NMIIE = OFIE = 0.
MOV    #32,R5                ; Use as write counter
MOV    #0F000h,R6           ; Write pointer
MOV    #WDTPW+WDTHOLD,&WDTCTL ; Disable WDT
L1 BIT  #BUSY,&FCTL3         ; Test BUSY
JNZ    L1                   ; Loop while busy
MOV    #FWKEY+FSSEL1+FNO,&FCTL2 ; SMCLK/2
MOV    #FWKEY,&FCTL3         ; Clear LOCK
MOV    #FWKEY+BLKWRT+WRT,&FCTL1 ; Enable block write
L2 MOV  Write_Value,0(R6)    ; Write location
L3 BIT  #WAIT,&FCTL3         ; Test WAIT
JZ     L3                   ; Loop while WAIT=0
INCD   R6                   ; Point to next word
DEC    R5                   ; Decrement write counter
JNZ    L2                   ; End of block?
MOV    #FWKEY,&FCTL1        ; Clear WRT,BLKWRT
L4 BIT  #BUSY,&FCTL3         ; Test BUSY
JNZ    L4                   ; Loop while busy
MOV    #FWKEY+LOCK,&FCTL3   ; Set LOCK
...    ; Re-enable WDT if needed
```

6.3.4 Flash Memory Access During Write or Erase

When any write or any erase operation is initiated from RAM and while $BUSY = 1$, the CPU may not read or write to or from any flash location. Otherwise, an access violation occurs, $ACCVIFG$ is set, and the result is unpredictable. Also if a write to flash is attempted with $WRT = 0$, the $ACCVIFG$ interrupt flag is set, and the flash memory is unaffected.

When a byte/word write or any erase operation is initiated from within flash memory, the flash controller returns op-code 03FFFh to the CPU at the next instruction fetch. Op-code 03FFFh is the $JMP \ PC$ instruction. This causes the CPU to loop until the flash operation is finished. When the operation is finished and $BUSY = 0$, the flash controller allows the CPU to fetch the proper op-code and program execution resumes.

The flash access conditions while $BUSY=1$ are listed in Table 6–5.

Table 6–5. Flash Access While $BUSY = 1$

Flash Operation	Flash Access	WAIT	Result
Any erase or byte/word write	Read	0	$ACCVIFG = 0$. 03FFFh is the value read
	Write	0	$ACCVIFG = 1$. Write is ignored
	Instruction fetch	0	$ACCVIFG = 0$. CPU fetches 03FFFh. This is the $JMP \ PC$ instruction.
Block write	Any	0	$ACCVIFG = 1$, $LOCK = 1$
	Read	1	$ACCVIFG = 0$, 03FFFh is the value read
	Write	1	$ACCVIFG = 0$, Flash is written
	Instruction fetch	1	$ACCVIFG = 1$, $LOCK = 1$

Interrupts are automatically disabled during any flash operation on F47x3/4 and F471xx devices when $E EI = 0$ and $E EIEX = 0$ and on all other devices where $E EI$ and $E EIEX$ are not present. After the flash operation has completed, interrupts are automatically re-enabled. Any interrupt that occurred during the operation will have its associated flag set and will generate an interrupt request when re-enabled.

On F47x3/4 and F471xx devices when $E EIEX = 1$ and $G IE = 1$, an interrupt will immediately abort any flash operation and the $FAIL$ flag will be set. When $E EI = 1$, $G IE = 1$, and $E EIEX = 0$, a segment erase will be interrupted by a pending interrupt every $32 f_{FTG}$ cycles. After servicing the interrupt, the segment erase is continued for at least $32 f_{FTG}$ cycles or until it is complete. During the servicing of the interrupt, the $BUSY$ bit remains set, but the flash memory can be accessed by the CPU without causing an access violation. Nested interrupts are not supported, because the $RETI$ instruction is decoded to detect the return from interrupt.

The watchdog timer (in watchdog mode) should be disabled before a flash erase cycle. A reset aborts the erase and the result is unpredictable. After the erase cycle has completed, the watchdog may be re-enabled.

6.3.5 Stopping a Write or Erase Cycle

Any write or erase operation can be stopped before its normal completion by setting the emergency exit bit EMEX. Setting the EMEX bit stops the active operation immediately and stops the flash controller. All flash operations cease, the flash returns to read mode, and all bits in the FCTL1 register are reset. The result of the intended operation is unpredictable.

6.3.6 Marginal Read Mode

The marginal read mode can be used to verify the integrity of the flash memory contents. This feature is implemented in MSP430FG47x, MSP430F47x, MSP430F47x3/4, and MSP430F471xx devices; see the device-specific data sheet for availability. During marginal read mode, the presence of an insufficiently programmed flash memory bit location can be detected. Events that could produce this situation include improper f_{FTG} settings, violation of minimum V_{CC} during erase/program operations, and data retention end-of-life. One method for identifying such memory locations would be to periodically perform a checksum calculation over a section of flash memory (for example, a flash segment) and then to repeat this procedure with the marginal read mode enabled. If they do not match, it could indicate an insufficiently programmed flash memory location. It is possible to refresh the affected flash memory segment by disabling marginal read mode, copying to RAM, erasing the flash segment, and copying back from RAM to flash.

The program checking the flash memory contents must be executed from RAM. Executing code from flash automatically disables the marginal read mode. The marginal read modes are controlled by the MRG0 and MRG1 bits. Setting MRG1 is used to detect insufficiently programmed flash cells containing a “1” (erased bits). Setting MRG0 is used to detect insufficiently programmed flash cells containing a “0” (programmed bits). Only one of these bits should be set at a time. Therefore, a full marginal read check requires two passes of checking the flash memory content’s integrity. During marginal read mode, the flash access speed must be limited to 1 MHz (see device-specific data sheet).

6.3.7 Configuring and Accessing the Flash Memory Controller

The FCTLx registers are 16-bit password-protected read/write registers. Any read or write access must use word instructions and write accesses must include the write password 0A5h in the upper byte. Any write to any FCTLx register with any value other than 0A5h in the upper byte is a security key violation, sets the KEYV flag, and triggers a PUC system reset. Any read of any FCTLx registers reads 096h in the upper byte.

Any write to FCTL1 during an erase or byte/word write operation is an access violation and sets ACCVIFG. Writing to FCTL1 is allowed in block write mode when WAIT = 1, but writing to FCTL1 in block write mode when WAIT = 0 is an access violation and sets ACCVIFG.

Any write to FCTL2 when the BUSY = 1 is an access violation.

Any FCTLx register may be read when BUSY = 1. A read does not cause an access violation.

6.3.8 Flash Memory Controller Interrupts

The flash controller has two interrupt sources, KEYV and ACCVIFG. ACCVIFG is set when an access violation occurs. When the ACCVIE bit is re-enabled after a flash write or erase, a set ACCVIFG flag generates an interrupt request. ACCVIFG sources the NMI interrupt vector, so it is not necessary for GIE to be set for ACCVIFG to request an interrupt. ACCVIFG may also be checked by software to determine if an access violation occurred. ACCVIFG must be reset by software.

The key violation flag KEYV is set when any of the flash control registers are written with an incorrect password. When this occurs, a PUC is generated, immediately resetting the device.

6.3.9 Programming Flash Memory Devices

There are three options for programming an MSP430 flash device. All options support in-system programming:

- Program via JTAG
- Program via the bootstrap loader
- Program via a custom solution

Programming Flash Memory via JTAG

MSP430 devices can be programmed via the JTAG port. The JTAG interface requires four signals, ground, and optionally V_{CC} and $\overline{RST/NMI}$.

The JTAG port is protected with a fuse. Blowing the fuse completely disables the JTAG port and is not reversible. Further access to the device via JTAG is not possible. For more details see the application report *Programming a Flash-Based MSP430 Using the JTAG Interface* (SLAA149) at www.ti.com/msp430.

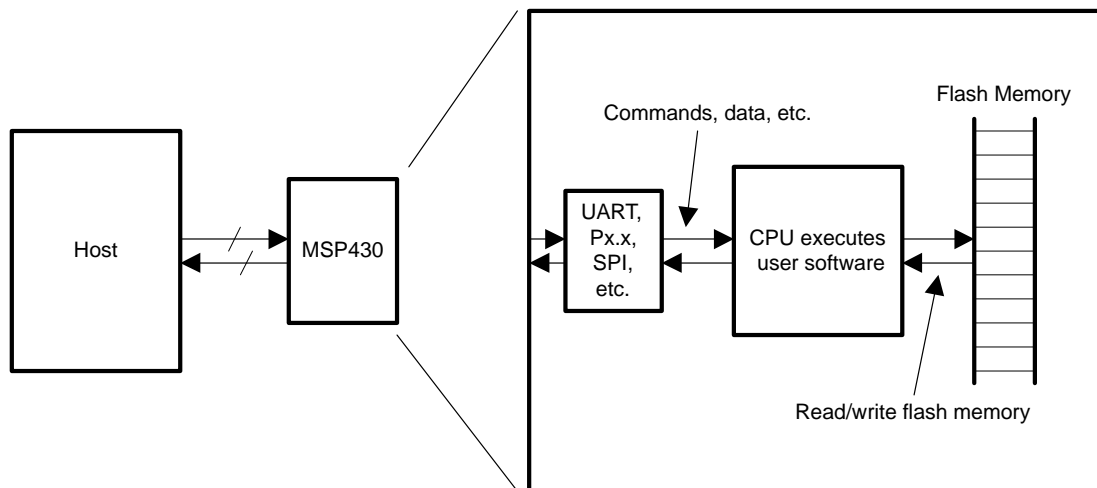
Programming Flash Memory via the Bootstrap Loader (BSL)

Every MSP430 flash device contains a bootstrap loader. The BSL enables users to read or program the flash memory or RAM using a UART serial interface. Access to the MSP430 flash memory via the BSL is protected by a 256-bit, user-defined password. For more details see the application report *Features of the MSP430 Bootstrap Loader* (SLAA089) at www.ti.com/msp430.

Programming Flash Memory via a Custom Solution

The ability of the MSP430 CPU to write to its own flash memory allows for in-system and external custom programming solutions as shown in Figure 6–12. The user can choose to provide data to the MSP430 through any means available (UART, SPI, etc.). User-developed software can receive the data and program the flash memory. Because this type of solution is developed by the user, it can be completely customized to fit the application needs for programming, erasing, or updating the flash memory.

Figure 6–12. User-Developed Programming Solution



6.4 Flash Memory Registers

The flash memory registers are listed in Table 6–6.

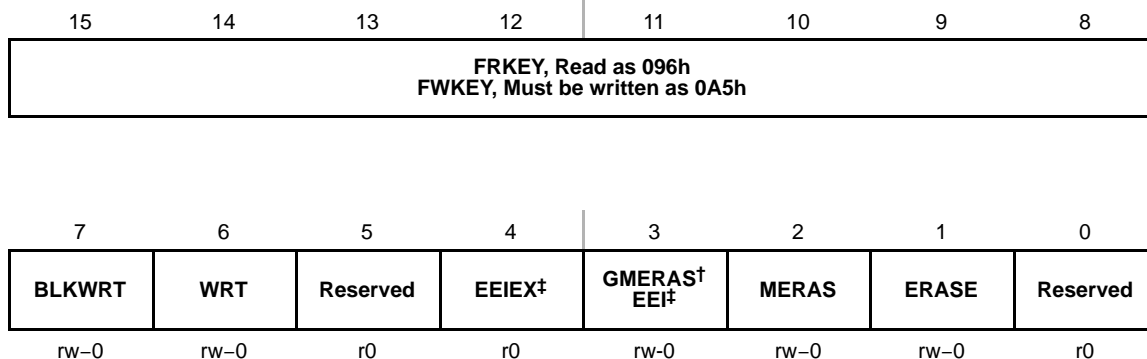
Table 6–6. Flash Memory Registers

Register	Short Form	Register Type	Address	Initial State
Flash memory control register 1	FCTL1	Read/write	0128h	09600h with PUC
Flash memory control register 2	FCTL2	Read/write	012Ah	09642h with PUC
Flash memory control register 3	FCTL3	Read/write	012Ch	09618h [†] with PUC
Flash memory control register 4 [‡]	FCTL4	Read/write	01BEh	0000h with PUC
Interrupt enable 1	IE1	Read/write	000h	Reset with PUC

[†] 09658h in MSP430FG47x, MSP430F47x, MSP430F47x3/4, and MSP430F471xx devices

[‡] MSP430FG47x, MSP430F47x, MSP430F47x3/4, and MSP430F471xx devices only

FCTL1, Flash Memory Control Register



[†] MSP430FG461x devices only. Reserved with r0 access on all other devices.

[‡] F47x3/4 and F471xx devices only. Reserved with r0 access on all other devices.

FRKEY/ FWKEY	Bits 15-8	FCTLx password. Always read as 096h. Must be written as 0A5h or a PUC is generated.
BLKWRT	Bit 7	Block write mode. WRT must also be set for block write mode. BLKWRT is automatically reset when EMEX is set. 0 Block-write mode is off 1 Block-write mode is on
WRT	Bit 6	Write. This bit is used to select any write mode. WRT is automatically reset when EMEX is set. 0 Write mode is off 1 Write mode is on
Reserved	Bit 5	Reserved. Always read as 0.
EEIEX	Bit 4	Enable emergency interrupt exit. Setting this bit enables an interrupt to cause an emergency exit from a flash operation when GIE = 1. EEIEX is automatically reset when EMEX is set. 0 Exit interrupt disabled 1 Exit on interrupt enabled
EEI	Bits 3	Enable erase Interrupts. Setting this bit allows a segment erase to be interrupted by an interrupt request. After the interrupt is serviced, the erase cycle is resumed. 0 Interrupts during segment erase disabled 1 Interrupts during segment erase enabled

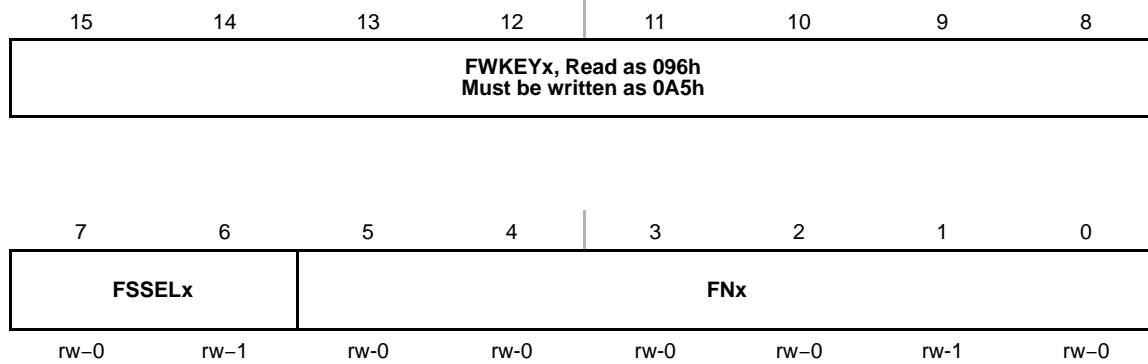
GMERAS Bit 3 Global mass erase, mass erase, and erase. These bits are used together to select the erase mode. GMERAS, MERAS, and ERASE are automatically reset when EMEX is set or the erase operation completes.

MERAS Bit 2

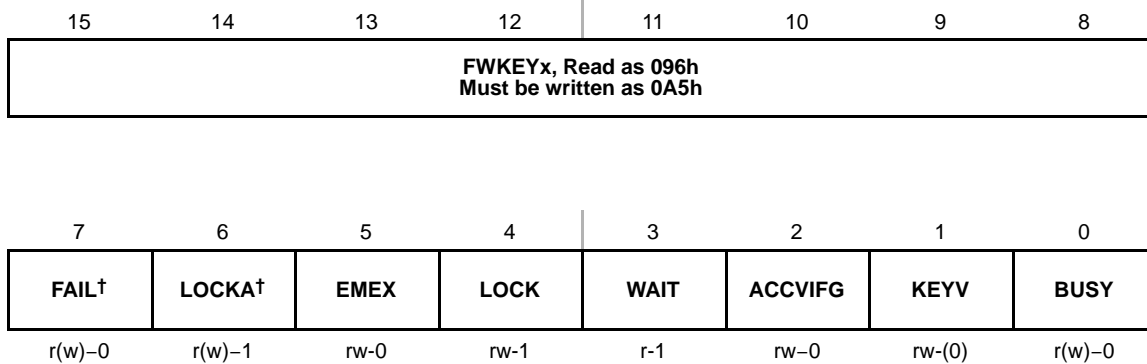
ERASE Bit 1

GMERAS	MERAS	ERASE	Erase Cycle
0	0	0	No erase
X	0	1	Erase individual segment only
0	1	0	Erase main memory segment of selected array
0	1	1	Erase main memory segments and information segments of selected array
1	1	0	Erase main memory segments of all memory arrays.
1	1	1	Erase all main memory and information segments of all memory arrays

Reserved Bit 0 Reserved. Always read as 0.

FCTL2, Flash Memory Control Register

FWKEYx	Bits 15-8	FCTLx password. Always read as 096h. Must be written as 0A5h, or a PUC is generated.
FSSELx	Bits 7-6	Flash controller clock source select 00 ACLK 01 MCLK 10 SMCLK 11 SMCLK
FNx	Bits 5-0	Flash controller clock divider. These six bits select the divider for the flash controller clock. The divisor value is FNx + 1. For example, when FNx = 00h, the divisor is 1. When FNx = 03Fh the divisor is 64.

FCTL3, Flash Memory Control Register FCTL3

† MSP430FG47x, MSP430F47x, MSP430F47x3/4, and MSP430F471xx devices only.

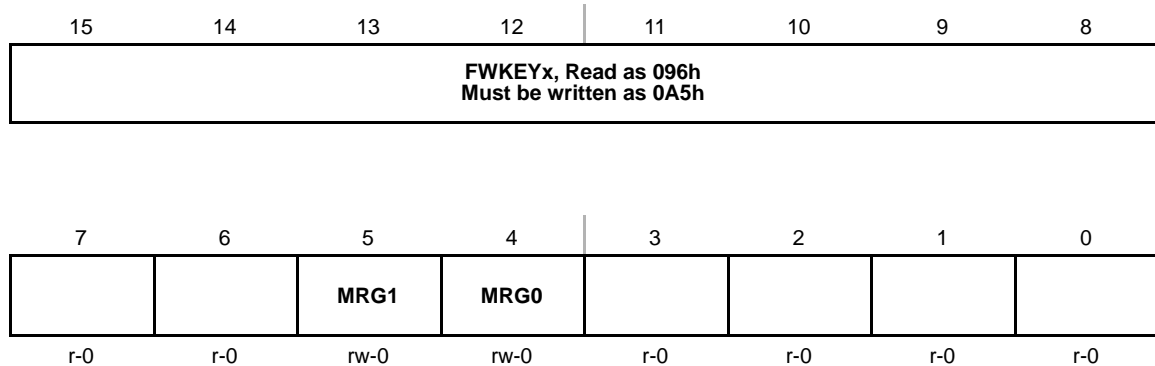
Reserved with r0 access on all other devices.

FWKEYx	Bits 15-8	FCTLx password. Always read as 096h. Must be written as 0A5h, or a PUC is generated.
FAIL	Bit 7	Operation failure. This bit is set if the f_{FTG} clock source fails or if a flash operation is aborted from an interrupt when $EEIEX = 1$. FAIL must be reset with software. 0 No failure 1 Failure
LOCKA	Bit 6	SegmentA and Info lock. Write a 1 to this bit to change its state. Writing 0 has no effect. 0 Segment A unlocked and all information memory is erased during a mass erase. 1 Segment A locked and all information memory is protected from erasure during a mass erase.
EMEX	Bit 5	Emergency exit 0 No emergency exit 1 Emergency exit
LOCK	Bit 4	Lock. This bit unlocks the flash memory for writing or erasing. The LOCK bit can be set anytime during a byte/word write or erase operation and the operation completes normally. In the block write mode, if the LOCK bit is set while $BLKWRT=WAIT=1$, then $BLKWRT$ and $WAIT$ are reset, and the mode ends normally. 0 Unlocked 1 Locked
WAIT	Bit 3	Wait. Indicates the flash memory is being written. 0 The flash memory is not ready for the next byte/word write 1 The flash memory is ready for the next byte/word write
ACCVIFG	Bit 2	Access violation interrupt flag 0 No interrupt pending 1 Interrupt pending

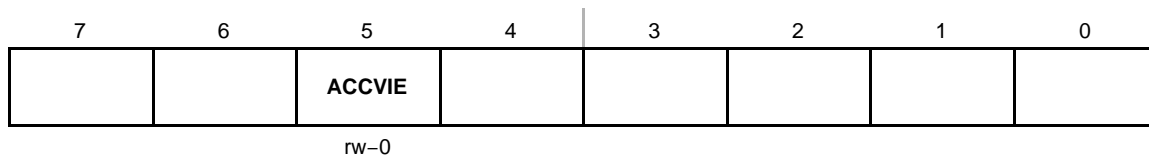
KEYV	Bit 1	Flash security key violation. This bit indicates an incorrect FCTLx password was written to any flash control register and generates a PUC when set. KEYV must be reset with software. 0 FCTLx password was written correctly 1 FCTLx password was written incorrectly
BUSY	Bit 0	Busy. This bit indicates the status of the flash timing generator. 0 Not busy 1 Busy

FCTL4, Flash Memory Control Register FCTL4

(FG47x, F47x, F47x3/4, and F471xx devices only)



FWKEYx	Bits 15-8	FCTLx password. Always read as 096h. Must be written as 0A5h or a PUC will be generated.
Reserved	Bits 7-6	Reserved. Always read as 0.
MRG1	Bit 5	Marginal read 1 mode. This bit enables the marginal 1 read mode. The marginal read 1 bit is cleared if the CPU starts execution from the flash memory. If both MRG1 and MRG0 are set MRG1 is active and MRG0 is ignored. 0 Marginal 1 read mode is disabled. 1 Marginal 1 read mode is enabled.
MRG0	Bit 4	Marginal read 0 mode. This bit enables the marginal 0 read mode. The marginal mode 0 is cleared if the CPU starts execution from the flash memory. If both MRG1 and MRG0 are set MRG1 is active and MRG0 is ignored. 0 Marginal 0 read mode is disabled. 1 Marginal 0 read mode is enabled.
Reserved	Bits 3-0	Reserved. Always read as 0.

IE1, Interrupt Enable Register 1

Bits 7-6, 4-0 These bits may be used by other modules. See device-specific data sheet.

ACCVIE Bit 5 Flash memory access violation interrupt enable. This bit enables the ACCVIFG interrupt. Because other bits in IE1 may be used for other modules, it is recommended to set or clear this bit using `BIS .B` or `BIC .B` instructions, rather than `MOV .B` or `CLR .B` instructions.

0 Interrupt not enabled
1 Interrupt enabled

Supply Voltage Supervisor

This chapter describes the operation of the SVS. The SVS is implemented in all MSP430x4xx devices.

Topic	Page
7.1 SVS Introduction	7-2
7.2 SVS Operation	7-4
7.3 SVS Registers	7-7

7.1 SVS Introduction

The supply voltage supervisor (SVS) is used to monitor the AV_{CC} supply voltage or an external voltage. The SVS can be configured to set a flag or generate a POR reset when the supply voltage or external voltage drops below a user-selected threshold.

The SVS features include:

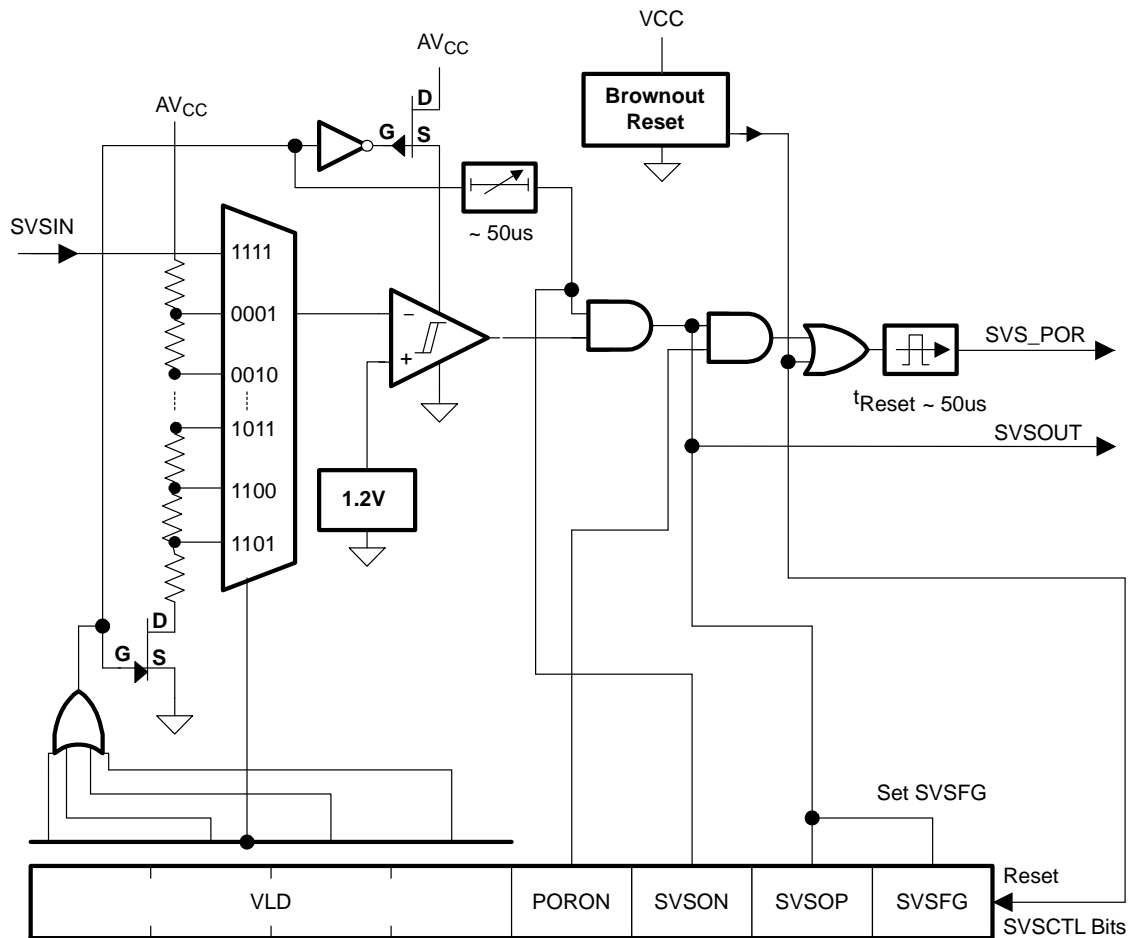
- AV_{CC} monitoring
- Selectable generation of POR
- Output of SVS comparator accessible by software
- Low-voltage condition latched and accessible by software
- 14 selectable threshold levels
- External channel to monitor external voltage

The SVS block diagram is shown in Figure 7-1.

Note: MSP430x412 and MSP430x413 Voltage Level Detect

The MSP430x412 and MSP430x413 devices implement only one voltage level detect setting. When $VLDx = 0$, the SVS is off. Any value greater than 0 for $VLDx$ selects a voltage level detect of 1.9V.

Figure 7-1. SVS Block Diagram



7.2 SVS Operation

The SVS detects if the AV_{CC} voltage drops below a selectable level. It can be configured to provide a POR or set a flag when a low-voltage condition occurs. The SVS is disabled after a brownout reset to conserve current consumption.

7.2.1 Configuring the SVS

The $VLDx$ bits are used to enable/disable the SVS and select one of 14 threshold levels ($V_{(SVS_IT-)}$) for comparison with AV_{CC} . The SVS is off when $VLDx = 0$ and on when $VLDx > 0$. The $SVSON$ bit does not turn on the SVS. Instead, it reflects the on/off state of the SVS and can be used to determine when the SVS is on.

When $VLDx = 1111$, the external $SVSIN$ channel is selected. The voltage on $SVSIN$ is compared to an internal level of approximately 1.2 V.

7.2.2 SVS Comparator Operation

A low-voltage condition exists when AV_{CC} drops below the selected threshold or when the external voltage drops below its 1.2-V threshold. Any low-voltage condition sets the $SVSFG$ bit.

The $PORON$ bit enables or disables the device-reset function of the SVS. If $PORON = 1$, a POR is generated when $SVSFG$ is set. If $PORON = 0$, a low-voltage condition sets $SVSFG$, but does not generate a POR.

The $SVSFG$ bit is latched. This allows user software to determine if a low-voltage condition occurred previously. The $SVSFG$ bit must be reset by user software. If the low-voltage condition is still present when $SVSFG$ is reset, it is immediately set again by the SVS.

7.2.3 Changing the VLDx Bits

When the VLDx bits are changed from zero to any non-zero value, there is an automatic settling delay, $t_{d(SVSON)}$, implemented that allows the SVS circuitry to settle. The $t_{d(SVSON)}$ delay is approximately 50 μ s. During this delay, the SVS does not flag a low-voltage condition or reset the device, and the SVSON bit is cleared. Software can test the SVSON bit to determine when the delay has elapsed and the SVS is monitoring the voltage properly. Writing to SVSCTL while SVSON = 0 aborts the SVS automatic settling delay, $t_{d(SVSON)}$, and switch the SVS to active mode immediately. In doing so, the SVS circuitry might not be settled, resulting in unpredictable behavior.

When the VLDx bits are changed from any non-zero value to any other non-zero value, the circuitry requires the time t_{settle} to settle. The settling time t_{settle} is a maximum of ~12 μ s (see the device-specific data sheet). There is no automatic delay implemented that prevents SVSFG to be set or to prevent a reset of the device. The recommended flow to switch between levels is shown in the following code.

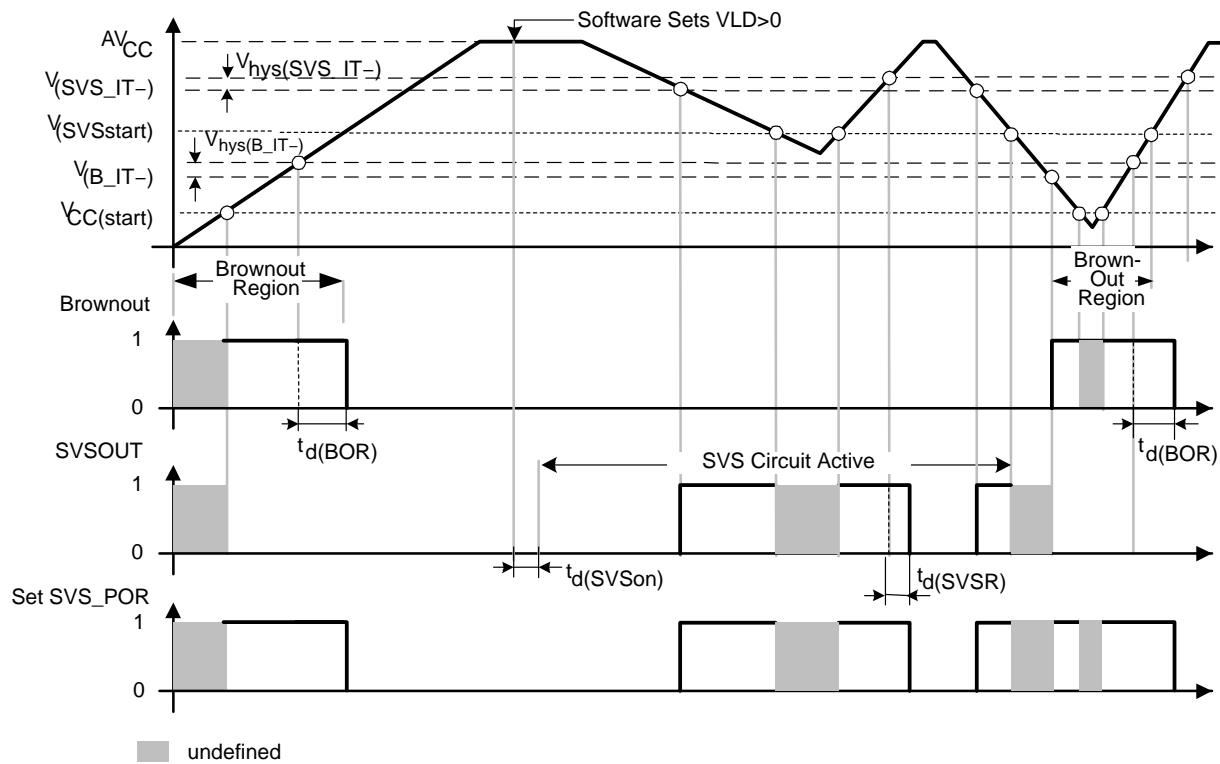
```
; Enable SVS for the first time:
    MOV.B    #080h,&SVSCTL    ; Level 2.8V, do not cause POR
; ...

; Change SVS level
    MOV.B    #000h,&SVSCTL    ; Temporarily disable SVS
    MOV.B    #018h,&SVSCTL    ; Level 1.9V, cause POR
; ...
```

7.2.4 SVS Operating Range

Each SVS level has hysteresis to reduce sensitivity to small supply voltage changes when AV_{CC} is close to the threshold. The SVS operation and SVS/Brownout interoperation are shown in Figure 7-2.

Figure 7-2. Operating Levels for SVS and Brownout/Reset Circuit



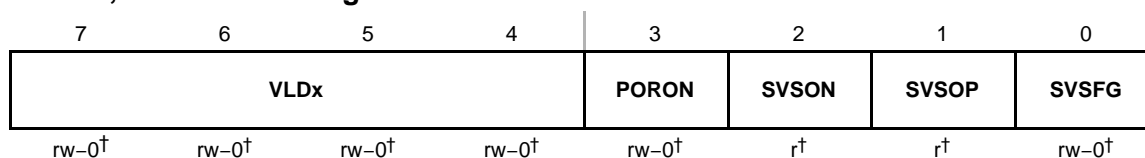
7.3 SVS Registers

The SVS registers are listed in Table 7–1.

Table 7–1. SVS Registers

Register	Short Form	Register Type	Address	Initial State
SVS Control Register	SVSCTL	Read/write	056h	Reset with BOR

SVSCTL, SVS Control Register



† Reset by a brownout reset only, not by a POR or PUC.

VLDx	Bits 7-4	Voltage level detect. These bits turn on the SVS and select the nominal SVS threshold voltage level. See the device-specific data sheet for parameters. 0000 SVS is off 0001 1.9 V 0010 2.1 V 0011 2.2 V 0100 2.3 V 0101 2.4 V 0110 2.5 V 0111 2.65 V 1000 2.8 V 1001 2.9 V 1010 3.05 V 1011 3.2 V 1100 3.35 V 1101 3.5 V 1110 3.7 V 1111 Compares external input voltage SVSIN to 1.2 V.
PORON	Bit 3	POR on. This bit enables the SVSFG flag to cause a POR device reset. 0 SVSFG does not cause a POR 1 SVSFG causes a POR
SVSON	Bit 2	SVS on. This bit reflects the status of SVS operation. This bit DOES NOT turn on the SVS. The SVS is turned on by setting VLDx > 0. 0 SVS is Off 1 SVS is On
SVSOP	Bit 1	SVS output. This bit reflects the output value of the SVS comparator. 0 SVS comparator output is low 1 SVS comparator output is high
SVSFG	Bit 0	SVS flag. This bit indicates a low voltage condition. SVSFG remains set after a low voltage condition until reset by software. 0 No low voltage condition occurred 1 A low condition is present or has occurred



16-Bit Hardware Multiplier

This chapter describes the 16-bit hardware multiplier. The hardware multiplier is implemented in MSP430x44x, MSP430FE42x, MSP430FE42xA, MSP430FE42x2, and MSP430F42x, MSP430F42xA devices.

Topic	Page
8.1 Hardware Multiplier Introduction	8-2
8.2 Hardware Multiplier Operation	8-3
8.3 Hardware Multiplier Registers	8-7

8.1 Hardware Multiplier Introduction

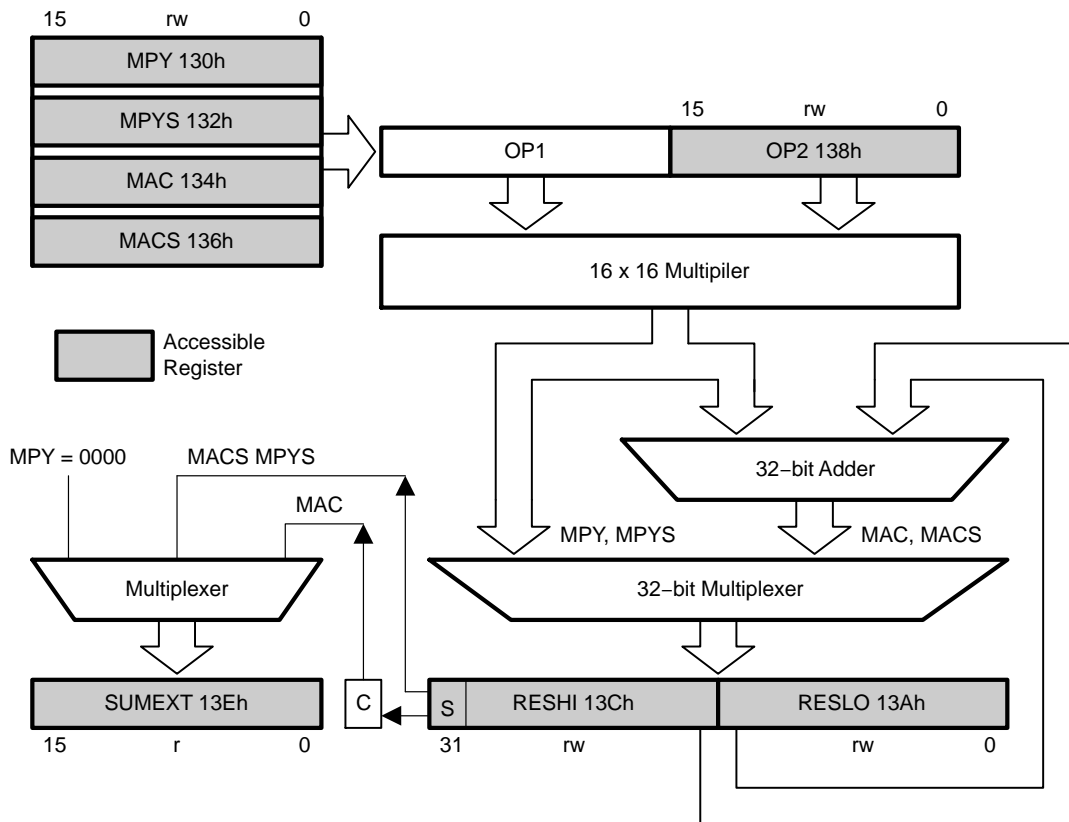
The hardware multiplier is a peripheral and is not part of the MSP430 CPU. This means that its activities do not interfere with the CPU activities. The multiplier registers are peripheral registers that are loaded and read with CPU instructions.

The hardware multiplier supports:

- Unsigned multiply
- Signed multiply
- Unsigned multiply accumulate
- Signed multiply accumulate
- 16×16 bits, 16×8 bits, 8×16 bits, 8×8 bits

The hardware multiplier block diagram is shown in Figure 8–1.

Figure 8–1. Hardware Multiplier Block Diagram



8.2 Hardware Multiplier Operation

The hardware multiplier supports unsigned multiply, signed multiply, unsigned multiply accumulate, and signed multiply accumulate operations. The type of operation is selected by the address the first operand is written to.

The hardware multiplier has two 16-bit operand registers, OP1 and OP2, and three result registers, RESLO, RESHI, and SUMEXT. RESLO stores the low word of the result, RESHI stores the high word of the result, and SUMEXT stores information about the result. The result is ready in three MCLK cycles and can be read with the next instruction after writing to OP2, except when using an indirect addressing mode to access the result. When using indirect addressing for the result, a NOP is required before the result is ready.

8.2.1 Operand Registers

The operand one register OP1 has four addresses, shown in Table 8–1, used to select the multiply mode. Writing the first operand to the desired address selects the type of multiply operation but does not start any operation. Writing the second operand to the operand two register OP2 initiates the multiply operation. Writing OP2 starts the selected operation with the values stored in OP1 and OP2. The result is written into the three result registers RESLO, RESHI, and SUMEXT.

Repeated multiply operations may be performed without reloading OP1 if the OP1 value is used for successive operations. It is not necessary to re-write the OP1 value to perform the operations.

Table 8–1. OP1 addresses

OP1 Address	Register Name	Operation
0130h	MPY	Unsigned multiply
0132h	MPYS	Signed multiply
0134h	MAC	Unsigned multiply accumulate
0136h	MACS	Signed multiply accumulate

8.2.2 Result Registers

The result low register RESLO holds the lower 16-bits of the calculation result. The result high register RESHI contents depend on the multiply operation and are listed in Table 8–2.

Table 8–2. RESHI Contents

Mode	RESHI Contents
MPY	Upper 16 bits of the result
MPYS	The MSB is the sign of the result. The remaining bits are the upper 15 bits of the result. Two's complement notation is used for the result.
MAC	Upper 16 bits of the result
MACS	Upper 16 bits of the result. Two's complement notation is used for the result.

The sum extension registers SUMEXT contents depend on the multiply operation and are listed in Table 8–3.

Table 8–3. SUMEXT Contents

Mode	SUMEXT
MPY	SUMEXT is always 0000h
MPYS	SUMEXT contains the extended sign of the result 00000h Result was positive or zero 0FFFFh Result was negative
MAC	SUMEXT contains the carry of the result 0000h No carry for result 0001h Result has a carry
MACS	SUMEXT contains the extended sign of the result 00000h Result was positive or zero 0FFFFh Result was negative

MACS Underflow and Overflow

The multiplier does not automatically detect underflow or overflow in the MACS mode. The accumulator range for positive numbers is 0 to 7FFF FFFFh and for negative numbers is 0FFFF FFFFh to 8000 0000h. An underflow occurs when the sum of two negative numbers yields a result that is in the range for a positive number. An overflow occurs when the sum of two positive numbers yields a result that is in the range for a negative number. In both of these cases, the SUMEXT register contains the sign of the result, 0FFFFh for overflow and 0000h for underflow. User software must detect and handle these conditions appropriately.

8.2.3 Software Examples

Examples for all multiplier modes follow. All 8x8 modes use the absolute address for the registers, because the assembler does not allow .B access to word registers when using the labels from the standard definitions file.

```

; 16x16 Unsigned Multiply
    MOV    #01234h,&MPY ; Load first operand
    MOV    #05678h,&OP2 ; Load second operand
; ...                ; Process results

; 8x8 Unsigned Multiply. Absolute addressing.
    MOV.B #012h,&0130h ; Load first operand
    MOV.B #034h,&0138h ; Load 2nd operand
; ...                ; Process results

; 16x16 Signed Multiply
    MOV    #01234h,&MPYS ; Load first operand
    MOV    #05678h,&OP2 ; Load 2nd operand
; ...                ; Process results

; 8x8 Signed Multiply. Absolute addressing.
    MOV.B #012h,&0132h ; Load first operand
    SXT    &MPYS        ; Sign extend first operand
    MOV.B #034h,&0138h ; Load 2nd operand
    SXT    &OP2         ; Sign extend 2nd operand
                        ; (triggers 2nd multiplication)
; ...                ; Process results

; 16x16 Unsigned Multiply Accumulate
    MOV    #01234h,&MAC ; Load first operand
    MOV    #05678h,&OP2 ; Load 2nd operand
; ...                ; Process results

; 8x8 Unsigned Multiply Accumulate. Absolute addressing
    MOV.B #012h,&0134h ; Load first operand
    MOV.B #034h,&0138h ; Load 2nd operand
; ...                ; Process results

; 16x16 Signed Multiply Accumulate
    MOV    #01234h,&MACS ; Load first operand
    MOV    #05678h,&OP2 ; Load 2nd operand
; ...                ; Process results

; 8x8 Signed Multiply Accumulate. Absolute addressing
    MOV.B #012h,&0136h ; Load first operand
    SXT    &MACS        ; Sign extend first operand
    MOV.B #034h,R5     ; Temp. location for 2nd operand
    SXT    R5           ; Sign extend 2nd operand
    MOV    R5,&OP2      ; Load 2nd operand
; ...                ; Process results

```

8.2.4 Indirect Addressing of RESLO

When using indirect or indirect autoincrement addressing mode to access the result registers, At least one instruction is needed between loading the second operand and accessing one of the result registers.

```
; Access multiplier results with indirect addressing
MOV  #RESLO,R5    ; RESLO address in R5 for indirect
MOV  &OPER1,&MPY  ; Load 1st operand
MOV  &OPER2,&OP2  ; Load 2nd operand
NOP                               ; Need one cycle
MOV  @R5+,&xxx    ; Move RESLO
MOV  @R5,&xxx     ; Move RESHI
```

8.2.5 Using Interrupts

If an interrupt occurs after writing OP1 but before writing OP2, and the multiplier is used in servicing that interrupt, the original multiplier mode selection is lost and the results are unpredictable. To avoid this, disable interrupts before using the hardware multiplier or do not use the multiplier in interrupt service routines.

```
; Disable interrupts before using the hardware multiplier
DINT                               ; Disable interrupts
NOP                               ; Required for DINT
MOV  #xxh,&MPY  ; Load 1st operand
MOV  #xxh,&OP2  ; Load 2nd operand
EINT                               ; Interrupts may be enable before
                                   ; Process results
```

8.3 Hardware Multiplier Registers

The hardware multiplier registers are listed in Table 8–4.

Table 8–4. Hardware Multiplier Registers

Register	Short Form	Register Type	Address	Initial State
Operand one - multiply	MPY	Read/write	0130h	Unchanged
Operand one - signed multiply	MPYS	Read/write	0132h	Unchanged
Operand one - multiply accumulate	MAC	Read/write	0134h	Unchanged
Operand one - signed multiply accumulate	MACS	Read/write	0136h	Unchanged
Operand two	OP2	Read/write	0138h	Unchanged
Result low word	RESLO	Read/write	013Ah	Undefined
Result high word	RESHI	Read/write	013Ch	Undefined
Sum Extension register	SUMEXT	Read	013Eh	Undefined



32-Bit Hardware Multiplier

This chapter describes the 32-bit hardware multiplier (MPY32) of the MSP430x4xx family. The 32-bit hardware multiplier is implemented in MSP430F47x3/4 and MSP430F471xx devices.

Topic	Page
9.1 32-Bit Hardware Multiplier Introduction	9-2
9.2 32-Bit Hardware Multiplier Operation	9-4
9.3 32-Bit Hardware Multiplier Registers	9-21

9.1 32-Bit Hardware Multiplier Introduction

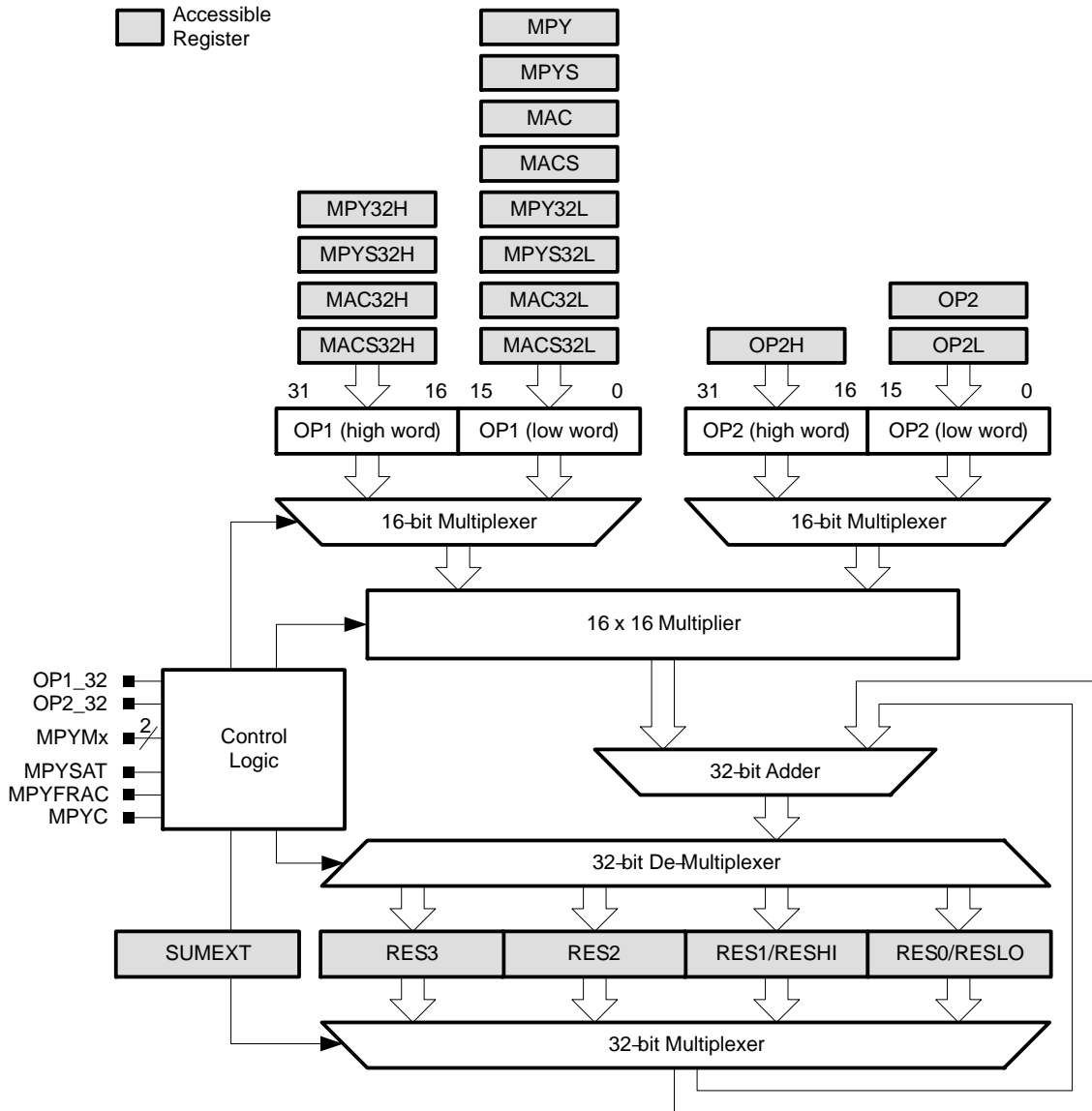
The 32-bit hardware multiplier is a peripheral and is not part of the MSP430 CPU. This means its activities do not interfere with the CPU activities. The multiplier registers are peripheral registers that are loaded and read with CPU instructions.

The hardware multiplier supports:

- Unsigned multiply
- Signed multiply
- Unsigned multiply accumulate
- Signed multiply accumulate
- 8-bit, 16-bit, 24-bit and 32-bit operands
- Saturation
- Fractional numbers
- 8-bit and 16-bit operation compatible with 16-bit hardware multiplier
- 8-bit and 24-bit multiplications without requiring a “sign extend” instruction

The 32-bit hardware multiplier block diagram is shown in Figure 9–1.

Figure 9–1. 32-Bit Hardware Multiplier Block Diagram



9.2 32-Bit Hardware Multiplier Operation

The hardware multiplier supports 8-bit, 16-bit, 24-bit, and 32-bit operands with unsigned multiply, signed multiply, unsigned multiply-accumulate, and signed multiply-accumulate operations. The size of the operands are defined by the address the operand is written to and if it is written as word or byte. The type of operation is selected by the address the first operand is written to.

The hardware multiplier has two 32-bit operand registers, operand one OP1 and operand two OP2, and a 64-bit result register accessible via registers RES0 to RES3. For compatibility with the 16x16 hardware multiplier the result of a 8-bit or 16-bit operation is accessible via RESLO, RESHI, and SUMEXT, as well. RESLO stores the low word of the 16x16-bit result, RESHI stores the high word of the result, and SUMEXT stores information about the result.

The result of a 8-bit or 16-bit operation is ready in three MCLK cycles and can be read with the next instruction after writing to OP2, except when using an indirect addressing mode to access the result. When using indirect addressing for the result, a NOP is required before the result is ready.

The result of a 24-bit or 32-bit operation can be read with successive instructions after writing OP2 or OP2H starting with RES0, except when using an indirect addressing mode to access the result. When using indirect addressing for the result, a NOP is required before the result is ready.

Table 9–1 summarizes when each word of the 64-bit result is available for the various combinations of operand sizes. With a 32-bit wide second operand OP2L and OP2H needs to be written. Depending on when the two 16-bit parts are written the result availability may vary thus the table shows two entries, one for OP2L written and one for OP2H written. The worst case defines the actual result availability.

Table 9–1. Result Availability ($MPYFRAC = 0$; $MPYSAT = 0$)

Operation (OP1 x OP2)	Result ready in MCLK cycles					After
	RES0	RES1	RES2	RES3	MPYC Bit	
8/16 x 8/16	3	3	4	4	3	OP2 written
24/32 x 8/16	3	5	6	7	7	OP2 written
8/16 x 24/32	3	5	6	7	7	OP2L written
	N/A	3	4	4	4	OP2H written
24/32 x 24/32	3	8	10	11	11	OP2L written
	N/A	3	5	6	6	OP2H written

9.2.1 Operand Registers

Operand one OP1 has twelve registers, shown in Table 9–2, used to load data into the multiplier and also select the multiply mode. Writing the low-word of the first operand to a given address selects the type of multiply operation to be performed but does not start any operation. When writing a second word to a high-word register with suffix “32H” the multiplier assumes a 32-bit wide OP1, otherwise 16-bits are assumed. The last address written prior to writing OP2 defines the width of the first operand. For example, if MPY32L is written first followed by MPY32H, all 32 bits are used and the data width of OP1 is set to 32 bits. If MPY32H is written first followed by MPY32L, the multiplication will ignore MPY32H and assume a 16-bit wide OP1 using the data written into MPY32L.

Repeated multiply operations may be performed without reloading OP1 if the OP1 value is used for successive operations. It is not necessary to rewrite the OP1 value to perform the operations.

Table 9–2. OP1 registers

OP1 Register Name	Operation
MPY	Unsigned Multiply – operand bits 0 up to 15
MPYS	Signed Multiply – operand bits 0 up to 15
MAC	Unsigned Multiply Accumulate – operand bits 0 up to 15
MACS	Signed Multiply Accumulate – operand bits 0 up to 15
MPY32L	Unsigned Multiply – operand bits 0 up to 15
MPY32H	Unsigned Multiply – operand bits 16 up to 31
MPYS32L	Signed Multiply – operand bits 0 up to 15
MPYS32H	Signed Multiply – operand bits 16 up to 31
MAC32L	Unsigned Multiply Accumulate – operand bits 0 up to 15
MAC32H	Unsigned Multiply Accumulate – operand bits 16 up to 31
MACS32L	Signed Multiply Accumulate – operand bits 0 up to 15
MACS32H	Signed Multiply Accumulate – operand bits 16 up to 31

Writing the second operand to the operand two register OP2 initiates the multiply operation. Writing OP2 starts the selected operation with a 16-bit wide second operand together with the values stored in OP1. Writing OP2L starts the selected operation with a 32-bit wide second operand and the multiplier expects a the high word to be written to OP2H. Writing to OP2H without a preceding write to OP2L is ignored.

Table 9–3. OP2 registers

OP2 Register Name	Operation
OP2	Start multiplication with 16-bit wide operand two OP2 (operand bits 0 up to 15)
OP2L	Start multiplication with 32-bit wide operand two OP2 (operand bits 0 up to 15)
OP2H	Continue multiplication with 32-bit wide operand two OP2 (operand bits 16 up to 31)

For 8-bit or 24-bit operands the operand registers can be accessed with byte instructions. Accessing the multiplier with a byte instruction during a signed operation will automatically cause a sign extension of the byte within the multiplier module. For 24-bit operands only the high word should be written as byte. Whether or not the 24-bit operands are sign extended is defined by the register that is used to write the low word, because this register defines if the operation is unsigned or signed.

The high word of a 32-bit operand remains unchanged when changing the size of the operand to 16 bit either by modifying the operand size bits or by writing to the respective operand register. During the execution of the 16-bit operation the content of the high word is ignored.

Note: Changing of First or Second Operand During Multiplication

Changing OP1 or OP2 while the selected multiply operation is being calculated will render any results invalid that are not ready at the time the new operand(s) are changed.

Writing OP2 or OP2L will abort any ongoing calculation and start a new operation. Results that are not ready at that time are invalid also for following MAC or MACS operations.

Refer to the tables “Result Availability” for the different modes on how many CPU cycles are needed until a certain result register is ready and valid.

9.2.2 Result Registers

The multiplication result is always 64-bits wide. It is accessible via registers RES0 to RES3. Used with a signed operation MPYS or MACS the results are appropriately sign extended. If the result registers are loaded with initial values before a MACS operation the user software must take care that the written value is properly sign extended to 64 bits.

Note: Changing of Result Registers During Multiplication

The result registers must not be modified by the user software after writing the second operand into OP2 or OP2L until the initiated operation is completed.

In addition to RES0 to RES3, for compatibility with the 16×16 hardware multiplier the 32-bit result of a 8-bit or 16-bit operation is accessible via RESLO, RESHI, and SUMEXT. In this case the result low register RESLO holds the lower 16-bits of the calculation result and the result high register RESHI holds the upper 16 bits. RES0 and RES1 are identical to RESLO and RESHI, respectively, in usage and access of calculated results.

The sum extension registers SUMEXT contents depend on the multiply operation and are listed in Table 9–4. If all operands are 16 bits wide or less the 32-bit result is used to determine sign and carry. If one of the operands is larger than 16 bits the 64-bit result is used.

The MPYC bit reflects the multiplier's carry as listed in Table 9–4 and thus can be used as 33rd or 65th bit of the result if fractional or saturation mode is not selected. With MAC or MACS operations the MPYC bit reflects the carry of the 32-bit or 64-bit accumulation and is not taken into account for successive MAC and MACS operations as the 33rd or 65th bit.

Table 9–4. SUMEXT Contents and MPYC Contents

Mode	SUMEXT	MPYC
MPY	SUMEXT is always 0000h	MPYC is always 0
MPYS	SUMEXT contains the extended sign of the result	MPYC contains the sign of the result
	00000h Result was positive or zero	0 Result was positive or zero
	0FFFFh Result was negative	1 Result was negative
MAC	SUMEXT contains the carry of the result	MPYC contains the carry of the result
	0000h No carry for result	0 No carry for result
	0001h Result has a carry	1 Result has a carry
MACS	SUMEXT contains the extended sign of the result	MPYC contains the carry of the result
	00000h Result was positive or zero	0 No carry for result,
	0FFFFh Result was negative	1 Result has a carry

MACS Underflow and Overflow

The multiplier does not automatically detect underflow or overflow in MACS mode. For example working with 16-bit input data and 32-bit results, i.e. using just RESLO and RESHI, the available range for positive numbers is 0 to 07FFF FFFFh and for negative numbers is 0FFFF FFFFh to 08000 0000h. An underflow occurs when the sum of two negative numbers yields a result that is in the range for a positive number. An overflow occurs when the sum of two positive numbers yields a result that is in the range for a negative number.

The SUMEXT register contains the sign of the result in both cases described above, 0FFFFh for a 32-bit overflow and 0000h for a 32-bit underflow. The MPYC bit in MPY32CTL0 can be used to detect the overflow condition. If the carry is different than the sign reflected by the SUMEXT register an overflow or underflow occurred. User software must handle these conditions appropriately.

9.2.3 Software Examples

Examples for all multiplier modes follow. All 8x8 modes use the absolute address for the registers because the assembler will not allow .B access to word registers when using the labels from the standard definitions file.

There is no sign extension necessary in software. Accessing the multiplier with a byte instruction during a signed operation will automatically cause a sign extension of the byte within the multiplier module.

```

; 32x32 Unsigned Multiply
    MOV    #01234h,&MPY32L ; Load low  word of 1st operand
    MOV    #01234h,&MPY32H ; Load high word of 1st operand
    MOV    #05678h,&OP2L   ; Load low  word of 2nd operand
    MOV    #05678h,&OP2H   ; Load high word of 2nd operand
;    ...                    ; Process results

; 16x16 Unsigned Multiply
    MOV    #01234h,&MPY    ; Load 1st operand
    MOV    #05678h,&OP2    ; Load 2nd operand
;    ...                    ; Process results

; 8x8 Unsigned Multiply. Absolute addressing.
    MOV.B  #012h,&MPY_B    ; Load 1st operand
    MOV.B  #034h,&OP2_B    ; Load 2nd operand
;    ...                    ; Process results

; 32x32 Signed Multiply
    MOV    #01234h,&MPYS32L ; Load low  word of 1st operand
    MOV    #01234h,&MPYS32H ; Load high word of 1st operand
    MOV    #05678h,&OP2L   ; Load low  word of 2nd operand
    MOV    #05678h,&OP2H   ; Load high word of 2nd operand
;    ...                    ; Process results

; 16x16 Signed Multiply
    MOV    #01234h,&MPYS    ; Load 1st operand
    MOV    #05678h,&OP2    ; Load 2nd operand
;    ...                    ; Process results

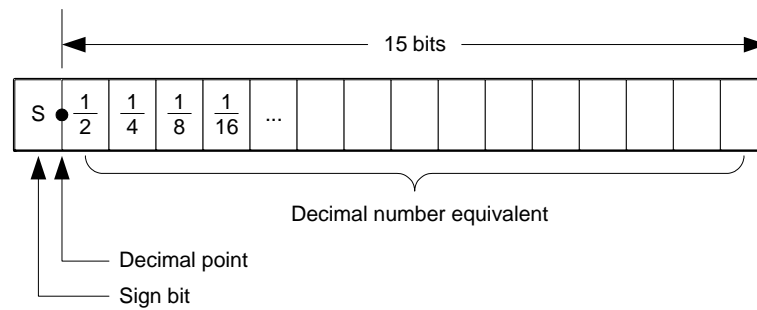
; 8x8 Signed Multiply. Absolute addressing.
    MOV.B  #012h,&MPYS_B    ; Load 1st operand
    MOV.B  #034h,&OP2_B    ; Load 2nd operand
;    ...                    ; Process results

```

9.2.4 Fractional Numbers

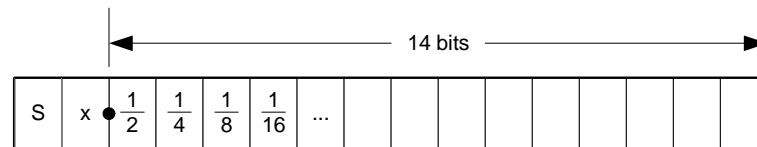
The 32-bit multiplier provides support for fixed-point signal processing. In fixed-point signal processing, fractional numbers are represented by using a fixed decimal point. To classify different ranges of decimal numbers, a Q-format is used. Different Q-formats represent different locations of the decimal point. Figure 9-2 shows the format of a signed Q15 number using 16 bits. Every bit after the decimal point has a resolution of 1/2, the most significant bit is used as the sign bit. The most negative number is 08000h and the maximum positive number is 07FFFh. This gives a range from -1.0 to 0.999969482 \cong 1.0 for the signed Q15 format with 16 bits.

Figure 9-2. Q15 Format Representation



The range can be increased by shifting the decimal point to the right as shown in Figure 9-3. The signed Q14 format with 16 bits gives a range from -2.0 to 1.999938965 \cong 2.0.

Figure 9-3. Q14 Format Representation



The benefit of using 16-bit signed Q15 or 32-bit signed Q31 numbers with multiplication is that the product of two numbers in the range from -1.0 to 1.0 is always in that same range.

Fractional Number Mode

Multiplying two fractional numbers using the default multiplication mode with $MPYFRAC = 0$ and $MPYSAT = 0$ gives a result with 2 sign bits. For example if two 16-bit Q15 numbers are multiplied a 32-bit result in Q30 format is obtained. To convert the result into Q15 format manually, the first 15 trailing bits and the extended sign bit must be removed. However, when the fractional mode of the multiplier is used, the redundant sign bit is automatically removed yielding a result in Q31 format for the multiplication of two 16-bit Q15 numbers. Reading the result register RES1 gives the result as 16-bit Q15 number. The 32-bit Q31 result of a multiplication of two 32-bit Q31 numbers is accessed by reading registers RES2 and RES3.

The fractional mode is enabled with $MPYFRAC = 1$ in register MPY32CTL0. The actual content of the result register(s) is not modified when $MPYFRAC = 1$. When the result is accessed using software, the value is left-shifted 1 bit resulting in the final Q formatted result. This allows user software to switch between reading both the shifted (fractional) and the un-shifted result. The fractional mode should only be enabled when required and disabled after use.

In fractional mode the SUMEXT register contains the sign extended bits 32 and 33 of the shifted result for 16x16-bit operations and bits 64 and 65 for 32x32-bit operations – not only bits 32 or 64, respectively.

The MPYC bit is not affected by the fractional mode. It always reads the carry of the nonfractional result.

```
; Example using
; Fractional 16x16 multiplication
      BIS      #MPYFRAC,&MPY32CTL0    ; Turn on fractional mode
      MOV      &FRACT1,&MPYS          ; Load 1st operand as Q15
      MOV      &FRACT2,&OP2           ; Load 2nd operand as Q15
      MOV      &RES1,&PROD             ; Save result as Q15
      BIC      #MPYFRAC,&MPY32CTL0    ; Back to normal mode
```

Table 9–5. Result Availability in Fractional Mode ($MPYFRAC = 1$; $MPYSAT = 0$)

Operation (OP1 x OP2)	Result ready in MCLK cycles					After
	RES0	RES1	RES2	RES3	MPYC Bit	
8/16 x 8/16	3	3	4	4	3	OP2 written
24/32 x 8/16	3	5	6	7	7	OP2 written
8/16 x 24/32	3	5	6	7	7	OP2L written
	N/A	3	4	4	4	OP2H written
24/32 x 24/32	3	8	10	11	11	OP2L written
	N/A	3	5	6	6	OP2H written

Saturation Mode

The multiplier prevents overflow and underflow of signed operations in saturation mode. The saturation mode is enabled with `MPYSAT = 1` in register `MPY32CTL0`. If an overflow occurs the result is set to the most positive value available. If an underflow occurs the result is set to the most negative value available. This is useful to reduce mathematical artifacts in control systems on overflow and underflow conditions. The saturation mode should only be enabled when required and disabled after use.

The actual content of the result register(s) is not modified when `MPYSAT = 1`. When the result is accessed using software, the value is automatically adjusted providing the most positive or most negative result when an overflow or underflow has occurred. The adjusted result is also used for successive multiply-and-accumulate operations. This allows user software to switch between reading the saturated and the non-saturated result.

With 16x16 operations the saturation mode only applies to the least significant 32 bits, i.e. the result registers `RES0` and `RES1`. Using the saturation mode in `MAC` or `MACS` operations that mix 16x16 operations with 32x32, 16x32 or 32x16 operations will lead to unpredictable results.

With 32x32, 16x32, and 32x16 operations the saturated result can only be calculated when `RES3` is ready. In non-5xx devices, reading `RES0` to `RES2` prior to the complete result being ready will deliver the nonsaturated results, independent of the `MPYSAT` bit setting.

Enabling the saturation mode does not affect the content of the `SUMEXT` register nor the content of the `MPYC` bit.

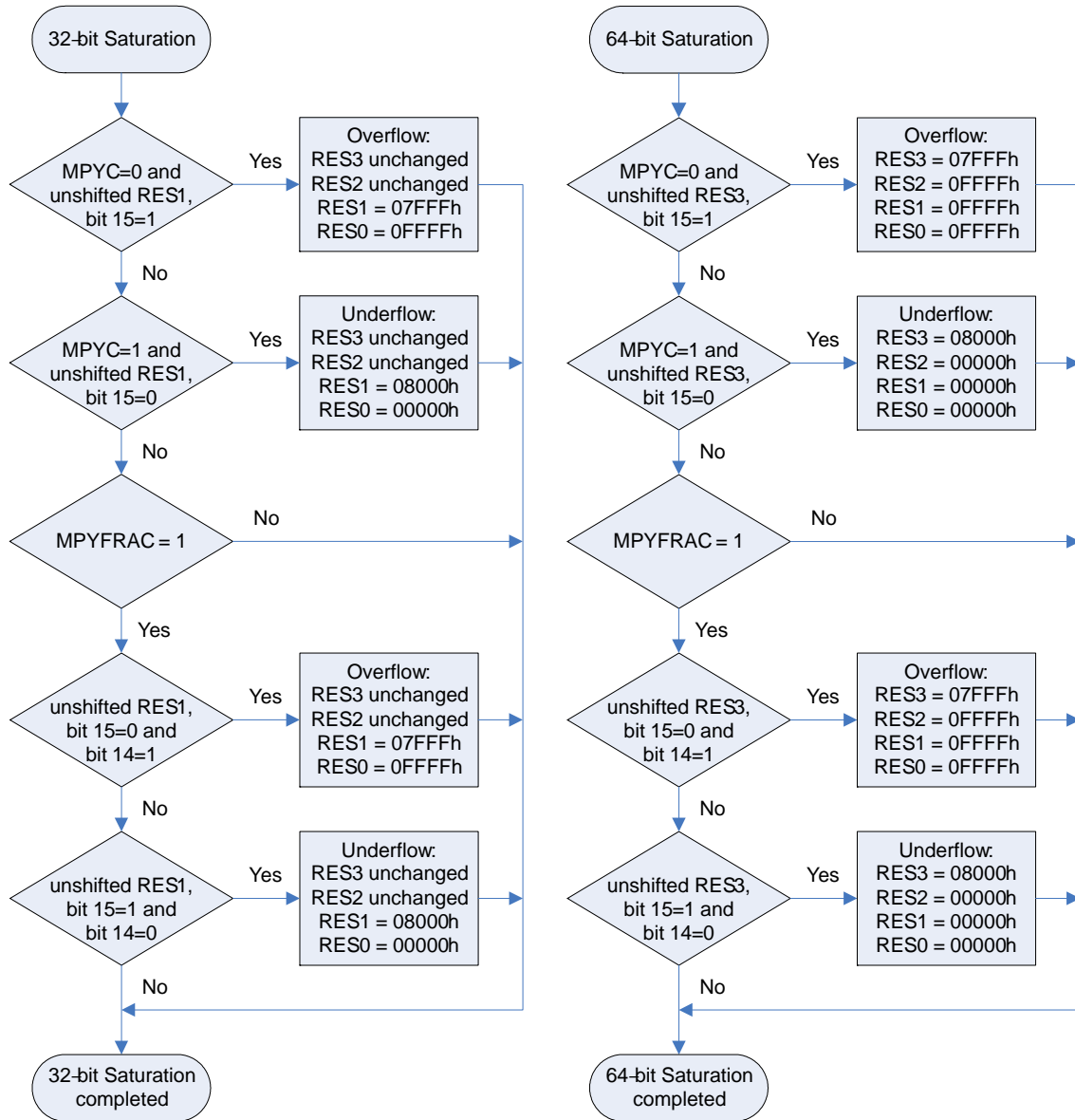
```
; Example using
; Fractional 16x16 multiply accumulate with Saturation
; Turn on fractional and saturation mode:
BIS  #MPYSAT+MPYFRAC,&MPY32CTL0
MOV  &A1,&MPYS          ; Load A1 for 1st term
MOV  &K1,&OP2           ; Load K1 to get A1*K1
MOV  &A2,&MACS          ; Load A2 for 2nd term
MOV  &K2,&OP2           ; Load K2 to get A2*K2
MOV  &RES1,&PROD        ; Save A1*K1+A2*K2 as result
BIC  #MPYSAT+MPYFRAC,&MPY32CTL0; turn back to normal
```

Table 9–6. Result Availability in Saturation Mode (MPYSAT = 1)

Operation (OP1 x OP2)	Result ready in MCLK cycles					after
	RES0	RES1	RES2	RES3	MPYC Bit	
8/16 x 8/16	3	3	N/A	N/A	3	OP2 written
24/32 x 8/16	7	7	7	7	7	OP2 written
8/16 x 24/32	7	7	7	7	7	OP2L written
	4	4	4	4	4	OP2H written
24/32 x 24/32	11	11	11	11	11	OP2L written
	6	6	6	6	6	OP2H written

Figure 9–4 shows the flow for 32-bit saturation used for 16×16 bit multiplications and the flow for 64-bit saturation used in all other cases. Primarily, the saturated results depends on the carry bit MPYC and the most significant bit of the result. Secondly, if the fractional mode is enabled it depends also on the two most significant bits of the unshift result; i.e., the result that is read with fractional mode disabled.

Figure 9–4. Saturation Flow Chart



Note: Saturation in Fractional Mode

In case of multiplying -1.0×-1.0 in fractional mode, the result of $+1.0$ is out of range, thus, the saturated result gives the most positive result.

The following example illustrates a special case showing the saturation function in fractional mode. It also uses the 8-bit functionality of the MPY32 module.

```

; Turn on fractional and saturation mode,
; clear all other bits in MPY32CTL0:
MOV    #MPYSAT+MPYFRAC,&MPY32CTL0
;Pre-load result registers to demonstrate overflow
MOV    #0,&RES3          ;
MOV    #0,&RES2          ;
MOV    #07FFFh,&RES1     ;
MOV    #0FA60h,&RES0     ;
MOV.B  #050h,&MACS_B     ; 8-bit signed MAC operation
MOV.B  #012h,&OP2_B     ; Start 16x16 bit operation
MOV    &RES0,R6         ; R6 = 0FFFFh
MOV    &RES1,R7         ; R7 = 07FFFh

```

The result is saturated because already the result not converted into a fractional number shows an overflow. The multiplication of the two positive numbers 00050h and 00012h gives 005A0h. 005A0h added to 07FFF.FA60h results in 8000.059F without MPYC being set. Since the MSB of the unmodified result RES1 is 1 and MPYC = 0 the result is saturated according to the saturation flow chart in Figure 9-4.

Note: Validity of Saturated Result

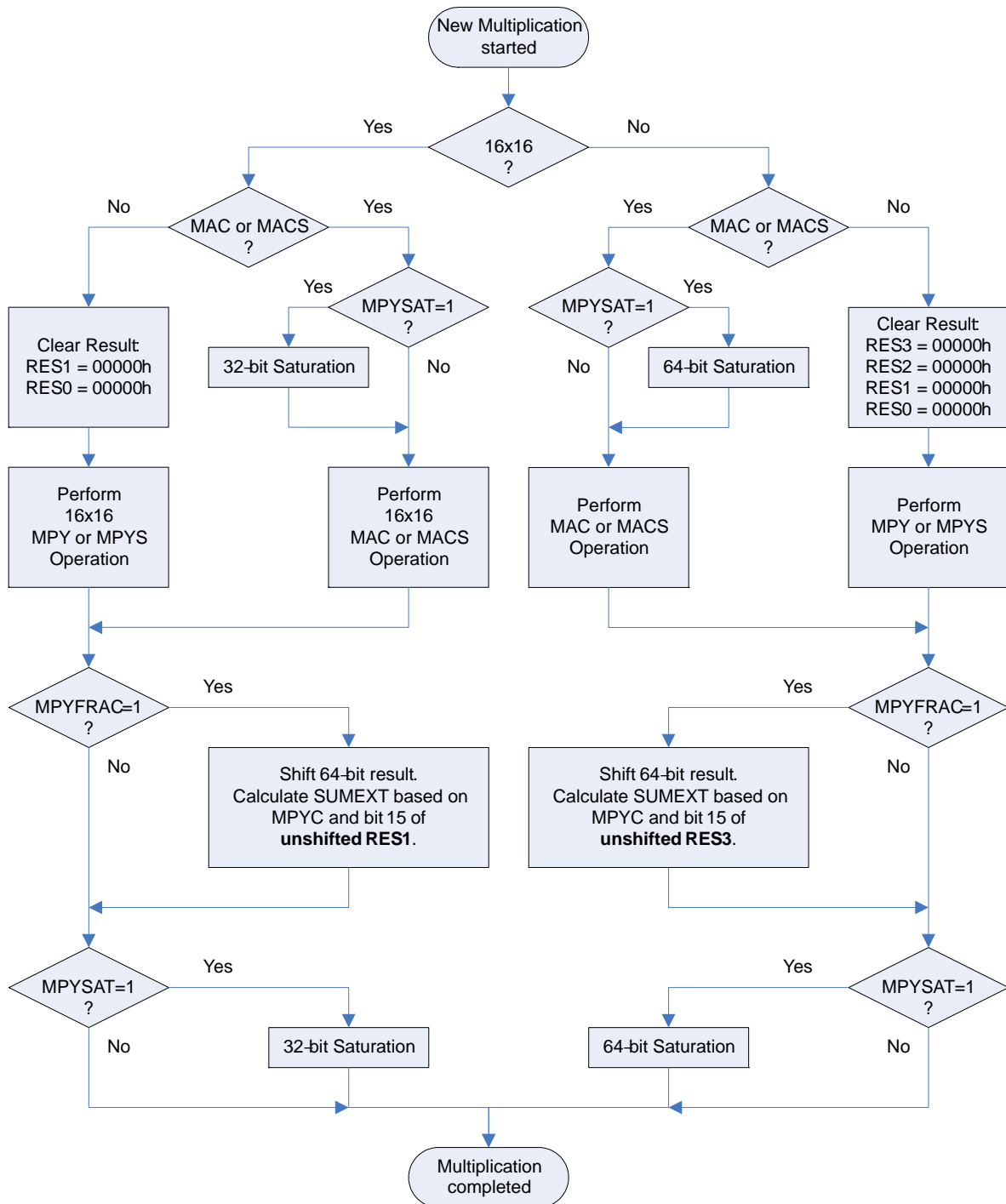
The saturated result is only valid if the registers RES0 to RES3, the size of operands 1 and 2 and MPYC are not modified.

If the saturation mode is used with a preloaded result, user software must ensure that MPYC in the MPY32CTL0 register is loaded with the sign bit of the written result otherwise the saturation mode erroneously saturates the result.

9.2.5 Putting It All Together

Figure 9–5 shows the complete multiplication flow depending on the various selectable modes for the MPY32 module.

Figure 9–5. Multiplication Flow Chart



Given the separation in processing of 16-bit operations (32-bit results) and 32-bit operations (64-bit results) by the module, it is important to understand the implications when using MAC/MACS operations and mixing 16-bit operands/results with 32-bit operands/results. User software must address these points during usage when mixing these operations. The following code illustrates the issue.

```

; Mixing 32x24 multiplication with 16x16 MACS operation
MOV    #MPYSAT,&MPY32CTL0; Saturation mode
MOV    #052C5h,&MPY32L ; Load low word of 1st operand
MOV    #06153h,&MPY32H ; Load high word of 1st operand
MOV    #001ABh,&OP2L   ; Load low word of 2nd operand
MOV.B  #023h,&OP2H_B   ; Load high word of 2nd operand
; ... 5 NOPs required
MOV    &RES0,R6        ; R6 = 00E97h
MOV    &RES1,R7        ; R7 = 0A6EAh
MOV    &RES2,R8        ; R8 = 04F06h
MOV    &RES3,R9        ; R9 = 0000Dh
; Note that MPYC = 0!
MOV    #0CCC3h,&MACS   ; Signed MAC operation
MOV    #0FFB6h,&OP2    ; 16x16 bit operation
MOV    &RESLO,R6       ; R6 = 0FFFFh
MOV    &RESHI,R7       ; R7 = 07FFFh

```

The second operation gives a saturated result because the 32-bit value used for the 16x16 bit MACS operation was already saturated when the operation was started: the carry bit MPYC was 0 from the previous operation but the most significant bit in result register RES1 is set. As one can see in the flow chart the content of the result registers are saturated for multiply-and-accumulate operations after starting a new operation based on the previous results but depending on the size of the result (32-bit or 64-bit) of the newly initiated operation.

The saturation before the multiplication can cause issues if the MPYC bit is not properly set as the following code example illustrates.

```

; Pre-load result registers to demonstrate overflow
MOV    #0,&RES3        ;
MOV    #0,&RES2        ;
MOV    #0,&RES1        ;
MOV    #0,&RES0        ;
; Saturation mode and set MPYC:
MOV    #MPYSAT+MPYC,&MPY32CTL0
MOV.B  #082h,&MACS_B   ; 8-bit signed MAC operation
MOV.B  #04Fh,&OP2_B   ; Start 16x16 bit operation
MOV    &RES0,R6        ; R6 = 00000h
MOV    &RES1,R7        ; R7 = 08000h

```


Even though the result registers were loaded with all zeros the final result is saturated. This is because the MPYC bit was set causing the result used for the multiply-and-accumulate to be saturated to 08000 0000h. Adding a negative number to it would again cause an underflow thus the final result is also saturated to 08000 0000h.

9.2.6 Indirect Addressing of Result Registers

When using indirect or indirect autoincrement addressing mode to access the result registers and the multiplier requires 3 cycles until result availability according to Table 9-1, at least one instruction is needed between loading the second operand and accessing the result registers:

```

; Access multiplier 16x16 results with indirect addressing
MOV  #RES0,R5          ; RES0 address in R5 for indirect
MOV  &OPER1,&MPY       ; Load 1st operand
MOV  &OPER2,&OP2       ; Load 2nd operand
NOP                               ; Need one cycle
MOV  @R5+,&xxx         ; Move RES0
MOV  @R5,&xxx          ; Move RES1

```

In case of a 32x16 multiplication there is also one instruction required between reading the first result register RES0 and the second result register RES1:

```

; Access multiplier 32x16 results with indirect addressing
MOV  #RES0,R5          ; RES0 address in R5 for indirect
MOV  &OPER1L,&MPY32L   ; Load low word of 1st operand
MOV  &OPER1H,&MPY32H   ; Load high word of 1st operand
MOV  &OPER2,&OP2       ; Load 2nd operand (16 bits)
NOP                               ; Need one cycle
MOV  @R5+,&xxx         ; Move RES0
NOP                               ; Need one additional cycle
MOV  @R5,&xxx          ; Move RES1
                               ; No additional cycles required!
MOV  @R5,&xxx          ; Move RES2

```

9.2.7 Using Interrupts

If an interrupt occurs after writing OP1, but before writing OP2, and the multiplier is used in servicing that interrupt, the original multiplier mode selection is lost and the results are unpredictable. To avoid this, disable interrupts before using the hardware multiplier, do not use the multiplier in interrupt service routines, or use the save and restore functionality of the 32-bit multiplier.

```
; Disable interrupts before using the hardware multiplier
DINT          ; Disable interrupts
NOP           ; Required for DINT
MOV  #xxh,&MPY ; Load 1st operand
MOV  #xxh,&OP2 ; Load 2nd operand
EINT          ; Interrupts may be enabled before
              ; processing results if result
              ; registers are stored and restored in
              ; interrupt service routines
```

Save and Restore

If the multiplier is used in interrupt service routines its state can be saved and restored using the MPY32CTL0 register. The following code example shows how the complete multiplier status can be saved and restored to allow interruptible multiplications together with the usage of the multiplier in interrupt service routines. Since the state of the MPYSAT and MPYFRAC bits are unknown they should be cleared before the registers are saved as shown in the code example.

```

; Interrupt service routine using multiplier
MPY_USING_ISR
    PUSH    &MPY32CTL0    ; Save multiplier mode, etc.
    BIC     #MPYSAT+MPYFRAC,&MPY32CTL0
                                ; Clear MPYSAT+MPYFRAC
    PUSH    &RES3          ; Save result 3
    PUSH    &RES2          ; Save result 2
    PUSH    &RES1          ; Save result 1
    PUSH    &RES0          ; Save result 0
    PUSH    &MPY32H        ; Save operand 1, high word
    PUSH    &MPY32L        ; Save operand 1, low word
    PUSH    &OP2H          ; Save operand 2, high word
    PUSH    &OP2L          ; Save operand 2, low word
                                ;
    ...                          ; Main part of ISR
                                ; Using standard MPY routines
                                ;
    POP     &OP2L          ; Restore operand 2, low word
    POP     &OP2H          ; Restore operand 2, high word
                                ; Starts dummy multiplication but
                                ; result is overwritten by
                                ; following restore operations:
    POP     &MPY32L        ; Restore operand 1, low word
    POP     &MPY32H        ; Restore operand 1, high word
    POP     &RES0          ; Restore result 0
    POP     &RES1          ; Restore result 1
    POP     &RES2          ; Restore result 2
    POP     &RES3          ; Restore result 3
    POP     &MPY32CTL0    ; Restore multiplier mode, etc.
    reti                                ; End of interrupt service routine

```

9.2.8 Using DMA

In devices with a DMA controller the multiplier can trigger a transfer when the complete result is available. The DMA controller needs to start reading the result with MPY32RES0 successively up to MPY32RES3. Not all registers need to be read. The trigger timing is such that the DMA controller starts reading MPY32RES0 when its ready and that the MPY32RES3 can be read exactly in the clock cycle when it is available to allow fastest access via DMA. The signal into the DMA controller is 'Multiplier ready'. Please refer to the DMA user's guide chapter for details.

9.3 32-Bit Hardware Multiplier Registers

The 32-bit hardware multiplier registers are listed in Table 9–7.

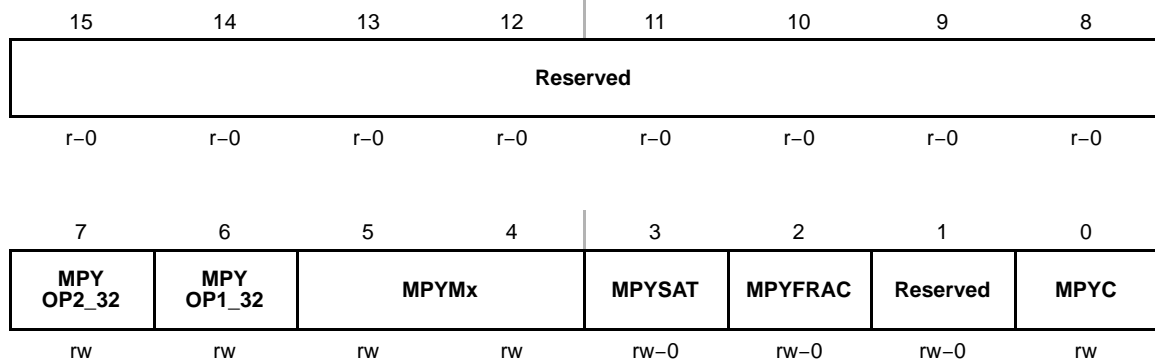
Table 9–7. 32-bit Hardware Multiplier Registers

Register	Short Form	Register Type	Address	Initial State
16-bit operand one – multiply	MPY	Read/write	0130h	Unchanged
8-bit operand one – multiply	MPY_B	Read/write	0132h	Unchanged
16-bit operand one – signed multiply	MPYS	Read/write	0132h	Unchanged
8-bit operand one – signed multiply	MPYS_B	Read/write	0132h	Unchanged
16-bit operand one – multiply accumulate	MAC	Read/write	0134h	Unchanged
8-bit operand one – multiply accumulate	MAC_B	Read/write	0134h	Unchanged
16-bit operand one – signed multiply accumulate	MACS	Read/write	0136h	Unchanged
8-bit operand one – signed multiply accumulate	MACS_B	Read/write	0136h	Unchanged
16-bit operand two	OP2	Read/write	0138h	Unchanged
8-bit operand two	OP2_B	Read/write	0138h	Unchanged
16x16-bit result low word	RESLO	Read/write	013Ah	Undefined
16x16-bit result high word	RESHI	Read/write	013Ch	Undefined
16x16-bit sum extension register	SUMEXT	Read	013Eh	Undefined
32-bit operand 1 – multiply – low word	MPY32L	Read/write	0140h	Unchanged
32-bit operand 1 – multiply – high word	MPY32H	Read/write	0142h	Unchanged
24-bit operand 1 – multiply – high byte	MPY32H_B	Read/write	0142h	Unchanged
32-bit operand 1 – signed multiply – low word	MPYS32L	Read/write	0144h	Unchanged
32-bit operand 1 – signed multiply – high word	MPYS32H	Read/write	0146h	Unchanged
24-bit operand 1 – signed multiply – high byte	MPYS32H_B	Read/write	0146h	Unchanged
32-bit operand 1 – multiply accumulate – low word	MAC32L	Read/write	0148h	Unchanged
32-bit operand 1 – multiply accumulate – high word	MAC32H	Read/write	014Ah	Unchanged
24-bit operand 1 – multiply accumulate – high byte	MAC32H_B	Read/write	014Ah	Unchanged
32-bit operand 1 – signed multiply accumulate – low word	MACS32L	Read/write	014Ch	Unchanged
32-bit operand 1 – signed multiply accumulate – high word	MACS32H	Read/write	014Eh	Unchanged
24-bit operand 1 – signed multiply accumulate – high byte	MACS32H_B	Read/write	014Eh	Unchanged
32-bit operand 2 – low word	OP2L	Read/write	0150h	Unchanged
32-bit operand 2 – high word	OP2H	Read/write	0152h	Unchanged
24-bit operand 2 – high byte	OP2H_B	Read/write	0152h	Unchanged
32x32-bit result 0 – least significant word	RES0	Read/write	0154h	Undefined
32x32-bit result 1	RES1	Read/write	0156h	Undefined
32x32-bit result 2	RES2	Read/write	0158h	Undefined
32x32-bit result 3 – most significant word	RES3	Read/write	015Ah	Undefined
MPY32 Control Register 0	MPY32CTL0	Read/write	015Ch	Undefined

The registers listed in Table 9–8 are treated equally.

Table 9–8. Alternative Registers

Register	Alternative 1	Alternative 2
16-bit operand one – multiply	MPY	MPY32L
8-bit operand one – multiply	MPY_B	MPYS32L_B
16-bit operand one – signed multiply	MPYS	MPYS32L
8-bit operand one – signed multiply	MPYS_B	MPYS32L_B
16-bit operand one – multiply accumulate	MAC	MAC32L
8-bit operand one – multiply accumulate	MAC_B	MAC32L_B
16-bit operand one – signed multiply accumulate	MACS	MACS32L
8-bit operand one – signed multiply accumulate	MACS_B	MACS32L_B
16x16-bit result low word	RESLO	RES0
16x16-bit result high word	RESHI	RES1

MPY32CTL0, 32-bit Multiplier Control Register 0

Reserved	Bits 15-8	Reserved
MPY OP2_32	Bit 7	Multiplier bit-width of operand 2 0 16 bits 1 32 bits
MPY OP1_32	Bit 6	Multiplier bit-width of operand 1. 0 16 bits 1 32 bits
MPYMx	Bits 5-4	Multiplier mode 00 MPY – Multiply 01 MPYS – Signed multiply 10 MAC – Multiply accumulate 11 MACS – Signed multiply accumulate
MPYSAT	Bit 3	Saturation mode 0 Saturation mode disabled 1 Saturation mode enabled
MPYFRAC	Bit 2	Fractional mode 0 Fractional mode disabled 1 Fractional mode enabled
Reserved	Bit 1	Reserved
MPYC	Bit 0	Carry of the multiplier. It can be considered as 33rd or 65th bit of the result if fractional or saturation mode is not selected because the MPYC bit does not change when switching to saturation or fractional mode. It is used to restore the SUMEXT content in MAC mode. 0 No carry for result 1 Result has a carry



DMA Controller

The DMA controller module transfers data from one address to another without CPU intervention. This chapter describes the operation of the DMA controller. One DMA channel is implemented in MSP430FG43x and three DMA channels are implemented in the MSP430FG461x and MSP430F471xx devices.

Topic	Page
10.1 DMA Introduction	10-2
10.2 DMA Operation	10-4
10.3 DMA Registers	10-21

10.1 DMA Introduction

The direct memory access (DMA) controller transfers data from one address to another, without CPU intervention, across the entire address range. For example, the DMA controller can move data from the ADC12 conversion memory to RAM.

Devices that contain a DMA controller may have one, two, or three DMA channels available. Therefore, depending on the number of DMA channels available, some features described in this chapter are not applicable to all devices.

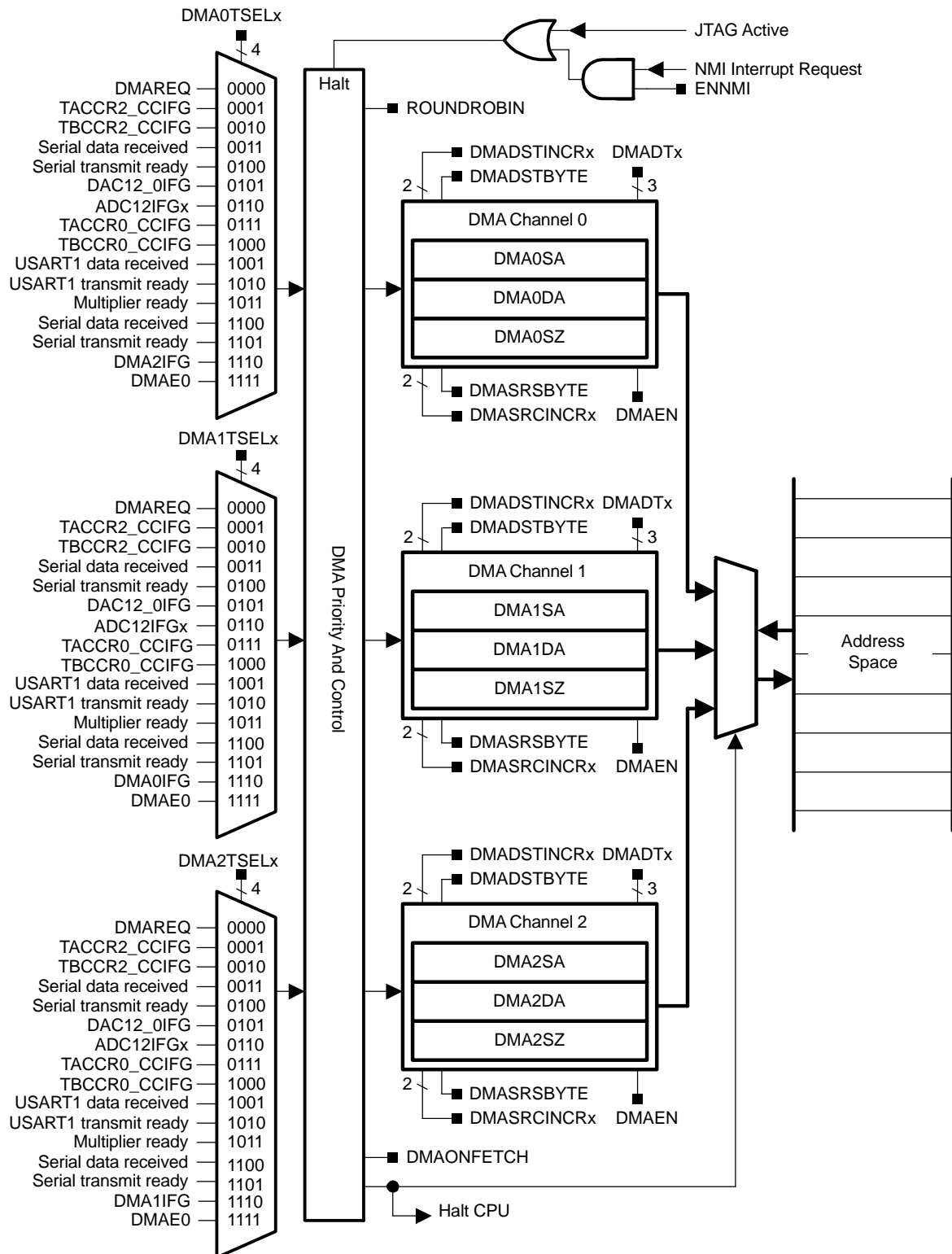
Using the DMA controller can increase the throughput of peripheral modules. It can also reduce system power consumption by allowing the CPU to remain in a low-power mode without having to awaken to move data to or from a peripheral.

The DMA controller features include:

- Up to three independent transfer channels
- Configurable DMA channel priorities
- Requires only two MCLK clock cycles per transfer
- Byte or word and mixed byte/word transfer capability
- Block sizes up to 65535 bytes or words
- Configurable transfer trigger selections
- Selectable edge or level-triggered transfer
- Four addressing modes
- Single, block, or burst-block transfer modes

The DMA controller block diagram is shown in Figure 10–1.

Figure 10-1. DMA Controller Block Diagram



10.2 DMA Operation

The DMA controller is configured with user software. The setup and operation of the DMA is discussed in the following sections.

10.2.1 DMA Addressing Modes

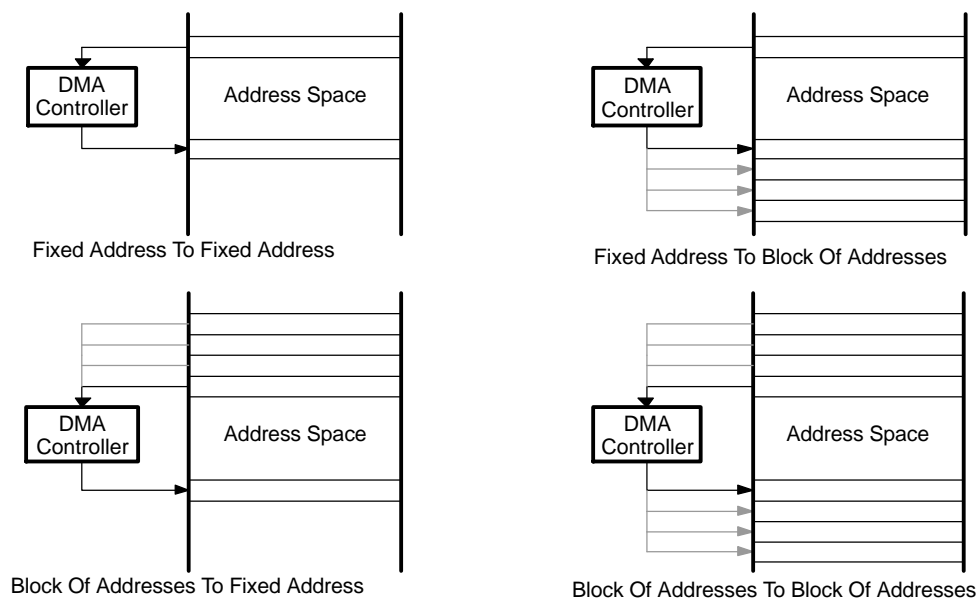
The DMA controller has four addressing modes. The addressing mode for each DMA channel is independently configurable. For example, channel 0 may transfer between two fixed addresses, while channel 1 transfers between two blocks of addresses. The addressing modes are shown in Figure 10–2. The addressing modes are:

- Fixed address to fixed address
- Fixed address to block of addresses
- Block of addresses to fixed address
- Block of addresses to block of addresses

The addressing modes are configured with the `DMASRCINCRx` and `DMADSTINCRx` control bits. The `DMASRCINCRx` bits select if the source address is incremented, decremented, or unchanged after each transfer. The `DMADSTINCRx` bits select if the destination address is incremented, decremented, or unchanged after each transfer.

Transfers may be byte-to-byte, word-to-word, byte-to-word, or word-to-byte. When transferring word-to-byte, only the lower byte of the source-word transfers. When transferring byte-to-word, the upper byte of the destination-word is cleared when the transfer occurs.

Figure 10–2. DMA Addressing Modes



10.2.2 DMA Transfer Modes

The DMA controller has six transfer modes selected by the DMADTx bits as listed in Table 10–1. Each channel is individually configurable for its transfer mode. For example, channel 0 may be configured in single transfer mode, while channel 1 is configured for burst-block transfer mode, and channel 2 operates in repeated block mode. The transfer mode is configured independently from the addressing mode. Any addressing mode can be used with any transfer mode.

Two types of data can be transferred selectable by the DMAxCTL DSTBYTE and SRCBYTE fields. The source and/or destination location can be either byte or word data. It is also possible to transfer byte to byte, word to word or any combination.

Table 10–1. DMA Transfer Modes

DMADTx	Transfer Mode	Description
000	Single transfer	Each transfer requires a trigger. DMAEN is automatically cleared when DMAxSZ transfers have been made.
001	Block transfer	A complete block is transferred with one trigger. DMAEN is automatically cleared at the end of the block transfer.
010, 011	Burst-block transfer	CPU activity is interleaved with a block transfer. DMAEN is automatically cleared at the end of the burst-block transfer.
100	Repeated single transfer	Each transfer requires a trigger. DMAEN remains enabled.
101	Repeated block transfer	A complete block is transferred with one trigger. DMAEN remains enabled.
110, 111	Repeated burst-block transfer	CPU activity is interleaved with a block transfer. DMAEN remains enabled.

Single Transfer

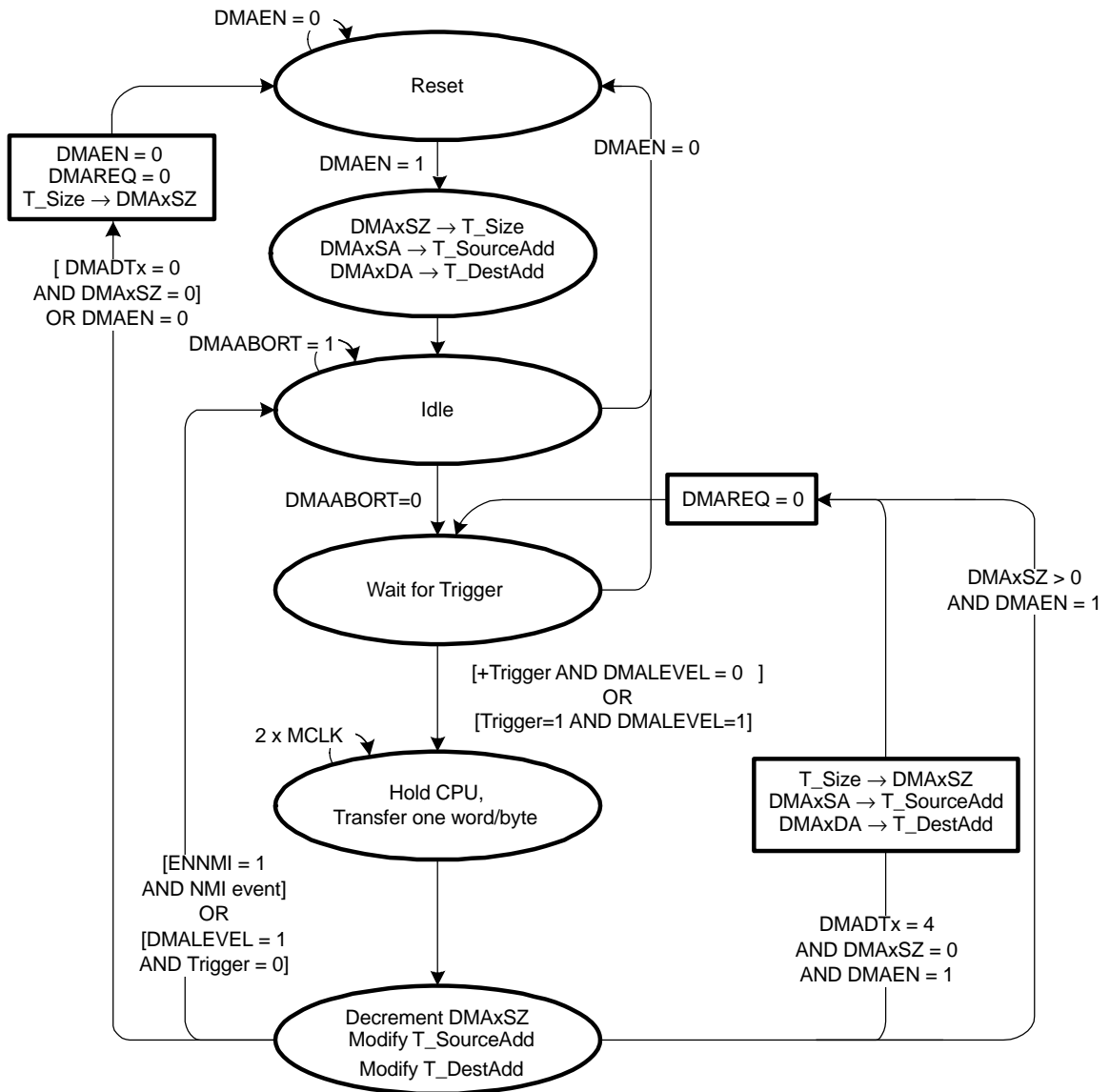
In single transfer mode, each byte/word transfer requires a separate trigger. The single transfer state diagram is shown in Figure 10–3.

The DMAxSZ register is used to define the number of transfers to be made. The DMADSTINCRx and DMASRCINCRx bits select if the destination address and the source address are incremented or decremented after each transfer. If DMAxSZ = 0, no transfers occur.

The DMAxSA, DMAxDA, and DMAxSZ registers are copied into temporary registers. The temporary values of DMAxSA and DMAxDA are incremented or decremented after each transfer. The DMAxSZ register is decremented after each transfer. When the DMAxSZ register decrements to zero it is reloaded from its temporary register and the corresponding DMAIFG flag is set. When DMADTx = 0, the DMAEN bit is cleared automatically when DMAxSZ decrements to zero and must be set again for another transfer to occur.

In repeated single transfer mode, the DMA controller remains enabled with DMAEN = 1, and a transfer occurs every time a trigger occurs.

Figure 10–3. DMA Single Transfer State Diagram



Block Transfers

In block transfer mode, a transfer of a complete block of data occurs after one trigger. When $DMADTx = 1$, the DMAEN bit is cleared after the completion of the block transfer and must be set again before another block transfer can be triggered. After a block transfer has been triggered, further trigger signals occurring during the block transfer are ignored. The block transfer state diagram is shown in Figure 10–4.

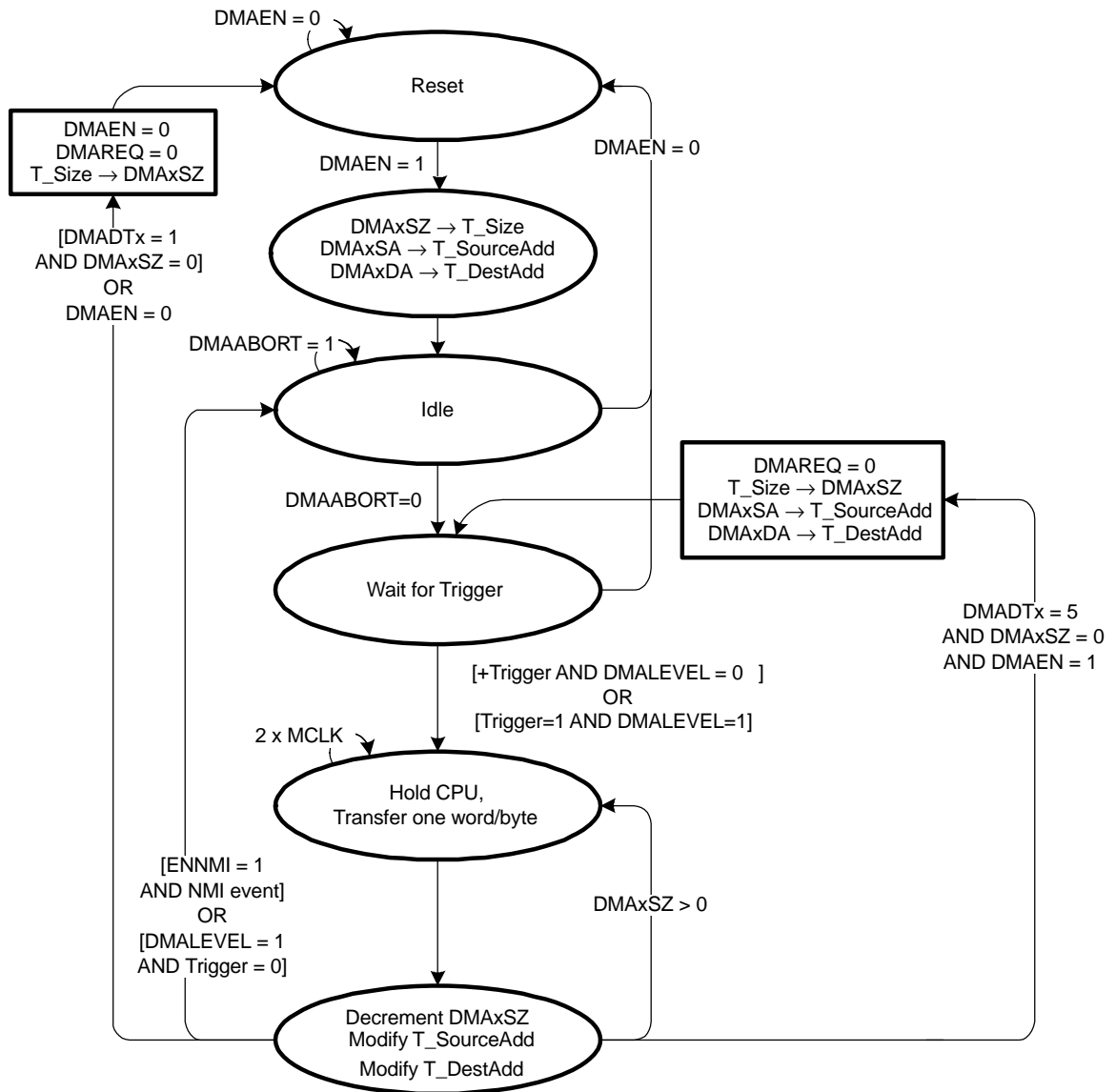
The DMAxSZ register is used to define the size of the block and the DMADSTINCRx and DMASRCINCRx bits select if the destination address and the source address are incremented or decremented after each transfer of the block. If $DMAxSZ = 0$, no transfers occur.

The DMAxSA, DMAxDA, and DMAxSZ registers are copied into temporary registers. The temporary values of DMAxSA and DMAxDA are incremented or decremented after each transfer in the block. The DMAxSZ register is decremented after each transfer of the block and shows the number of transfers remaining in the block. When the DMAxSZ register decrements to zero it is reloaded from its temporary register and the corresponding DMAIFG flag is set.

During a block transfer, the CPU is halted until the complete block has been transferred. The block transfer takes $2 \times MCLK \times DMAxSZ$ clock cycles to complete. CPU execution resumes with its previous state after the block transfer is complete.

In repeated block transfer mode, the DMAEN bit remains set after completion of the block transfer. The next trigger after the completion of a repeated block transfer triggers another block transfer.

Figure 10–4. DMA Block Transfer State Diagram



Burst-Block Transfers

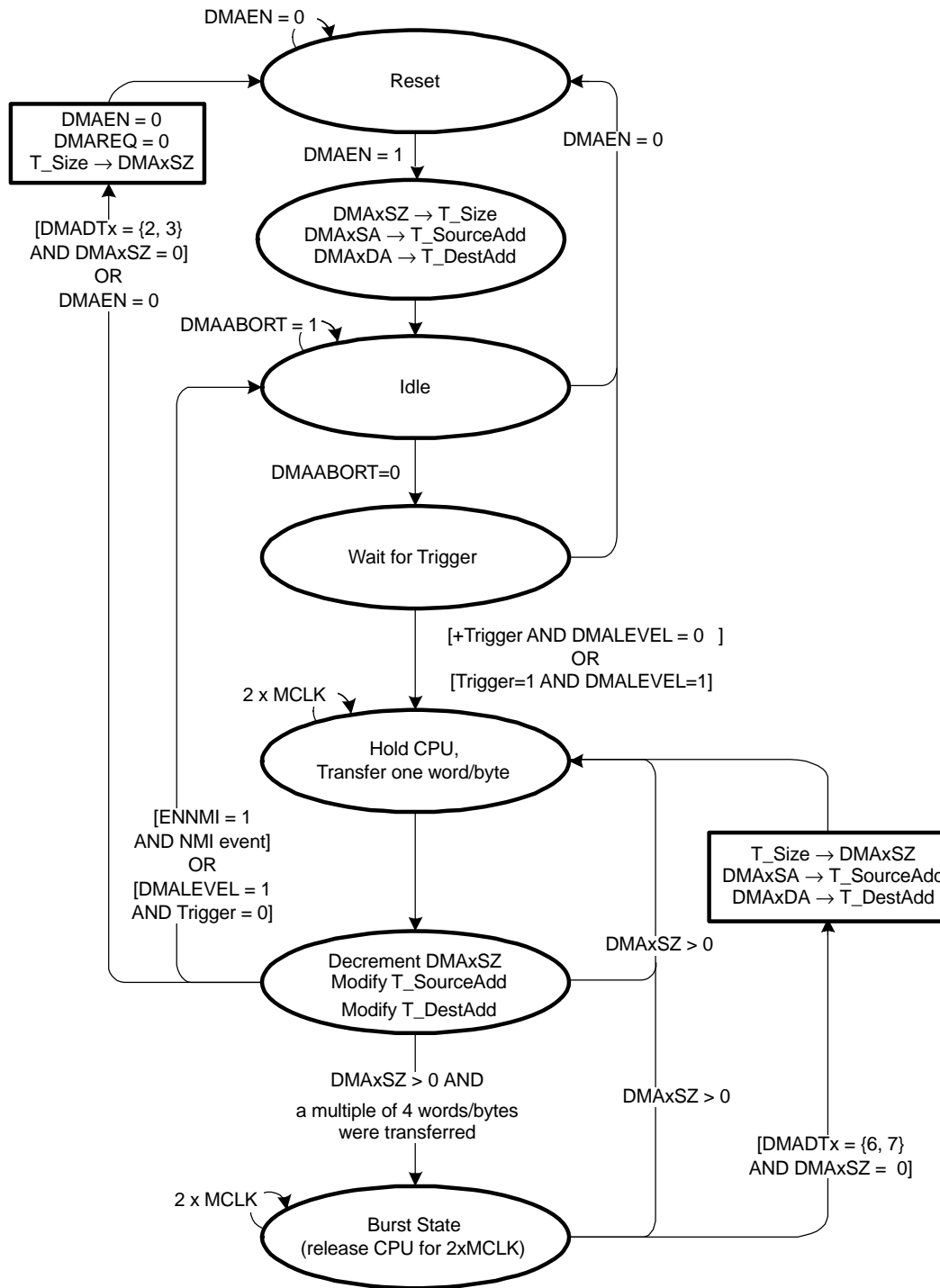
In burst-block mode, transfers are block transfers with CPU activity interleaved. The CPU executes 2 MCLK cycles after every four byte/word transfers of the block resulting in 20% CPU execution capacity. After the burst-block, CPU execution resumes at 100% capacity and the DMAEN bit is cleared. DMAEN must be set again before another burst-block transfer can be triggered. After a burst-block transfer has been triggered, further trigger signals occurring during the burst-block transfer are ignored. The burst-block transfer state diagram is shown in Figure 10–5.

The DMAxSZ register is used to define the size of the block and the DMADSTINCRx and DMASRCINCRx bits select if the destination address and the source address are incremented or decremented after each transfer of the block. If DMAxSZ = 0, no transfers occur.

The DMAxSA, DMAxDA, and DMAxSZ registers are copied into temporary registers. The temporary values of DMAxSA and DMAxDA are incremented or decremented after each transfer in the block. The DMAxSZ register is decremented after each transfer of the block and shows the number of transfers remaining in the block. When the DMAxSZ register decrements to zero it is reloaded from its temporary register and the corresponding DMAIFG flag is set.

In repeated burst-block mode the DMAEN bit remains set after completion of the burst-block transfer and no further trigger signals are required to initiate another burst-block transfer. Another burst-block transfer begins immediately after completion of a burst-block transfer. In this case, the transfers must be stopped by clearing the DMAEN bit, or by an NMI interrupt when ENNMI is set. In repeated burst-block mode the CPU executes at 20% capacity continuously until the repeated burst-block transfer is stopped.

Figure 10–5. DMA Burst-Block Transfer State Diagram



10.2.3 Initiating DMA Transfers

Each DMA channel is independently configured for its trigger source with the DMAxTSELx bits as described in Table 10–2. The DMAxTSELx bits should be modified only when the DMACTLx DMAEN bit is 0. Otherwise, unpredictable DMA triggers may occur.

When selecting the trigger, the trigger must not have already occurred, or the transfer will not take place. For example, if the TACCR2 CCIFG bit is selected as a trigger, and it is already set, no transfer will occur until the next time the TACCR2 CCIFG bit is set.

Edge-Sensitive Triggers

When DMALEVEL = 0, edge-sensitive triggers are used and the rising edge of the trigger signal initiates the transfer. In single-transfer mode, each transfer requires its own trigger. When using block or burst-block modes, only one trigger is required to initiate the block or burst-block transfer.

Level-Sensitive Triggers

When DMALEVEL = 1, level-sensitive triggers are used. For proper operation, level-sensitive triggers can only be used when external trigger DMAE0 is selected as the trigger. DMA transfers are triggered as long as the trigger signal is high and the DMAEN bit remains set.

The trigger signal must remain high for a block or burst-block transfer to complete. If the trigger signal goes low during a block or burst-block transfer, the DMA controller is held in its current state until the trigger goes back high or until the DMA registers are modified by software. If the DMA registers are not modified by software, when the trigger signal goes high again, the transfer resumes from where it was when the trigger signal went low.

When DMALEVEL = 1, transfer modes selected when DMADTx = {0, 1, 2, 3} are recommended because the DMAEN bit is automatically reset after the configured transfer.

Halting Executing Instructions for DMA Transfers

The DMAONFETCH bit controls when the CPU is halted for a DMA transfer. When DMAONFETCH = 0, the CPU is halted immediately and the transfer begins when a trigger is received. When DMAONFETCH = 1, the CPU finishes the currently executing instruction before the DMA controller halts the CPU and the transfer begins.

Note: DMAONFETCH Must Be Used When The DMA Writes To Flash

If the DMA controller is used to write to flash memory, the DMAONFETCH bit must be set. Otherwise, unpredictable operation can result.

Table 10–2. DMA Trigger Operation

DMAxTSELx	Operation
0000	A transfer is triggered when the DMAREQ bit is set. The DMAREQ bit is automatically reset when the transfer starts
0001	A transfer is triggered when the TACCR2 CCIFG flag is set. The TACCR2 CCIFG flag is automatically reset when the transfer starts. If the TACCR2 CCIE bit is set, the TACCR2 CCIFG flag will not trigger a transfer.
0010	A transfer is triggered when the TBCCR2 CCIFG flag is set. The TBCCR2 CCIFG flag is automatically reset when the transfer starts. If the TBCCR2 CCIE bit is set, the TBCCR2 CCIFG flag will not trigger a transfer.
0011	Devices with USART0: A transfer is triggered when the URXIFG0 flag is set. URXIFG0 is automatically reset when the transfer starts. If URXIE0 is set, the URXIFG0 flag will not trigger a transfer. Devices with USCI_A0: A transfer is triggered when the UCA0RXIFG flag is set. UCA0RXIFG is automatically reset when the transfer starts. If UCA0RXIE is set, the UCA0RXIFG flag will not trigger a transfer.
0100	Devices with USART0: A transfer is triggered when the UTXIFG0 flag is set. UTXIFG0 is automatically reset when the transfer starts. If UTXIE0 is set, the UTXIFG0 flag will not trigger a transfer. Devices with USCI_A0: A transfer is triggered when the UCA0TXIFG flag is set. UCA0TXIFG is automatically reset when the transfer starts. If UCA0TXIE is set, the UCA0TXIFG flag will not trigger a transfer.
0101	Devices with DAC12: A transfer is triggered when the DAC12_OCTL DAC12IFG flag is set. The DAC12_OCTL DAC12IFG flag is automatically cleared when the transfer starts. If the DAC12_OCTL DAC12IE bit is set, the DAC12_OCTL DAC12IFG flag will not trigger a transfer.
0110	Devices with ADC12: A transfer is triggered by an ADC12IFGx flag. When single-channel conversions are performed, the corresponding ADC12IFGx is the trigger. When sequences are used, the ADC12IFGx for the last conversion in the sequence is the trigger. A transfer is triggered when the conversion is completed and the ADC12IFGx is set. Setting the ADC12IFGx with software will not trigger a transfer. All ADC12IFGx flags are automatically reset when the associated ADC12MEMx register is accessed by the DMA controller. Devices with SD16 or SD16_A: A transfer is triggered by the SD16IFG flag of the master channel in grouped mode or of channel 0. Setting the SD16IFG with software will not trigger a transfer. All SD16IFG flags are automatically reset when the associated SD16MEMx register is accessed by the DMA controller. If the SD16IE of the master channel is set, the SD16IFG will not trigger a transfer.
0111	A transfer is triggered when the TACCR0 CCIFG flag is set. The TACCR0 CCIFG flag is automatically reset when the transfer starts. If the TACCR0 CCIE bit is set, the TACCR0 CCIFG flag will not trigger a transfer.
1000	A transfer is triggered when the TBCCR0 CCIFG flag is set. The TBCCR0 CCIFG flag is automatically reset when the transfer starts. If the TBCCR0 CCIE bit is set, the TBCCR0 CCIFG flag will not trigger a transfer.
1001	Devices with USART1: A transfer is triggered when the URXIFG1 flag is set. URXIFG1 is automatically reset when the transfer starts. If URXIE1 is set, the URXIFG1 flag will not trigger a transfer. Devices with USCI_A1: A transfer is triggered when the UCA1RXIFG flag is set. UCA1RXIFG is automatically reset when the transfer starts. If UCA1RXIE is set, the UCA1RXIFG flag will not trigger a transfer.

Table 10–2. DMA Trigger Operation (Continued)

DMAxTSELx	Operation
1010	Devices with USART1: A transfer is triggered when the UTXIFG1 flag is set. UTXIFG1 is automatically reset when the transfer starts. If UTXIE1 is set, the UTXIFG1 flag will not trigger a transfer. Devices with USCI_A1: A transfer is triggered when the UCA1TXIFG flag is set. UCA1TXIFG is automatically reset when the transfer starts. If UCA1TXIE is set, the UCA1TXIFG flag will not trigger a transfer.
1011	A transfer is triggered when the hardware multiplier is ready for a new operand.
1100	A transfer is triggered when the UCB0RXIFG flag is set. UCB0RXIFG is automatically reset when the transfer starts. If UCB0RXIE is set, the UCB0RXIFG flag will not trigger a transfer.
1101	A transfer is triggered when the UCB0TXIFG flag is set. UCB0TXIFG is automatically reset when the transfer starts. If UCB0TXIE is set, the UCB0TXIFG flag will not trigger a transfer.
1110	A transfer is triggered when the DMAxIFG flag is set. DMA0IFG triggers channel 1, DMA1IFG triggers channel 2, and DMA2IFG triggers channel 0. None of the DMAxIFG flags are automatically reset when the transfer starts.
1111	A transfer is triggered by the external trigger DMAE0.

10.2.4 Stopping DMA Transfers

There are two ways to stop DMA transfers in progress:

- A single, block, or burst-block transfer may be stopped with an NMI interrupt, if the ENNMI bit is set in register DMACTL1.
- A burst-block transfer may be stopped by clearing the DMAEN bit.

10.2.5 DMA Channel Priorities

The default DMA channel priorities are DMA0–DMA1–DMA2. If two or three triggers happen simultaneously or are pending, the channel with the highest priority completes its transfer (single, block or burst-block transfer) first, then the second priority channel, then the third priority channel. Transfers in progress are not halted if a higher priority channel is triggered. The higher priority channel waits until the transfer in progress completes before starting.

The DMA channel priorities are configurable with the ROUNDROBIN bit. When the ROUNDROBIN bit is set, the channel that completes a transfer becomes the lowest priority. The *order* of the priority of the channels always stays the same, DMA0–DMA1–DMA2, for example:

DMA Priority	Transfer Occurs	New DMA Priority
DMA0 – DMA1 – DMA2	DMA1	DMA2 – DMA0 – DMA1
DMA2 – DMA0 – DMA1	DMA2	DMA0 – DMA1 – DMA2
DMA0 – DMA1 – DMA2	DMA0	DMA1 – DMA2 – DMA0

When the ROUNDROBIN bit is cleared the channel priority returns to the default priority.

DMA channel priorities are not applicable to MSP430FG43x devices.

10.2.6 DMA Transfer Cycle Time

The DMA controller requires one or two MCLK clock cycles to synchronize before each single transfer or complete block or burst-block transfer. Each byte/word transfer requires two MCLK cycles after synchronization, and one cycle of wait time after the transfer. Because the DMA controller uses MCLK, the DMA cycle time is dependent on the MSP430 operating mode and clock system setup.

If the MCLK source is active, but the CPU is off, the DMA controller will use the MCLK source for each transfer, without re-enabling the CPU. If the MCLK source is off, the DMA controller will temporarily restart MCLK, sourced with DCOCLK, for the single transfer or complete block or burst-block transfer. The CPU remains off, and after the transfer completes, MCLK is turned off. The maximum DMA cycle time for all operating modes is shown in Table 10–3.

Table 10–3. Maximum Single-Transfer DMA Cycle Time

CPU Operating Mode	Clock Source	Maximum DMA Cycle Time
Active mode	MCLK=DCOCLK	4 MCLK cycles
Active mode	MCLK=LFXT1CLK	4 MCLK cycles
Low-power mode LPM0/1	MCLK=DCOCLK	5 MCLK cycles
Low-power mode LPM3/4	MCLK=DCOCLK	5 MCLK cycles + 6 μ s [†]
Low-power mode LPM0/1	MCLK=LFXT1CLK	5 MCLK cycles
Low-power mode LPM3	MCLK=LFXT1CLK	5 MCLK cycles
Low-power mode LPM4	MCLK=LFXT1CLK	5 MCLK cycles + 6 μ s [†]

[†] The additional 6 μ s are needed to start the DCOCLK. It is the $t_{(LPMx)}$ parameter in the data sheet.

10.2.7 Using DMA with System Interrupts

DMA transfers are not interruptible by system interrupts. System interrupts remain pending until the completion of the transfer. NMI interrupts can interrupt the DMA controller if the ENNMI bit is set.

System interrupt service routines are interrupted by DMA transfers. If an interrupt service routine or other routine must execute with no interruptions, the DMA controller should be disabled prior to executing the routine.

10.2.8 DMA Controller Interrupts

Each DMA channel has its own DMAIFG flag. Each DMAIFG flag is set in any mode when the corresponding DMAxSZ register counts to zero. If the corresponding DMAIE and GIE bits are set, an interrupt request is generated.

All DMAIFG flags source only one DMA controller interrupt vector and the interrupt vector may be shared with the other modules. See the device-specific datasheet for specific interrupt assignments. In this case, software must check the DMAIFG and other flags to determine the source of the interrupt. The DMAIFG flags are not reset automatically and must be reset by software.

10.2.9 DMAIV, DMA Interrupt Vector Generator

MSP430FG461x and MSP430F471xx devices implement the interrupt vector register DMAIV. In this case, all DMAIFG flags are prioritized and combined to source a single interrupt vector. The interrupt vector register DMAIV is used to determine which flag requested an interrupt.

The highest priority enabled interrupt generates a number in the DMAIV register (see register description). This number can be evaluated or added to the program counter to automatically enter the appropriate software routine. Disabled DMA interrupts do not affect the DMAIV value.

Any access, read or write, of the DMAIV register automatically resets the highest pending interrupt flag. If another interrupt flag is set, another interrupt is immediately generated after servicing the initial interrupt. For example, if the DMA0IFG and DMA2IFG flags are set when the interrupt service routine accesses the DMAIV register, DMA0IFG is reset automatically. After the RETI instruction of the interrupt service routine is executed, the DMA2IFG will generate another interrupt.

DMAIV Software Example

The following software example shows the recommended use of DMAIV and the handling overhead. The DMAIV value is added to the PC to automatically jump to the appropriate routine.

The numbers at the right margin show the necessary CPU cycles for each instruction. The software overhead for different interrupt sources includes interrupt latency and return-from-interrupt cycles, but not the task handling itself.

```

;Interrupt handler for DMA0IFG, DMA1IFG, DMA2IFG      Cycles
DMA_HND      ...      ; Interrupt latency              6
      ADD    &DMAIV,PC ; Add offset to Jump table      3
      RETI   ; Vector 0: No interrupt
5
      JMP    DMA0_HND ; Vector 2: DMA channel 0        2
      JMP    DMA1_HND ; Vector 4: DMA channel 1        2
      JMP    DMA2_HND ; Vector 6: DMA channel 2        2
      RETI   ; Vector 8: Reserved                      5
      RETI   ; Vector 10: Reserved                     5
      RETI   ; Vector 12: Reserved                     5
      RETI   ; Vector 14: Reserved                     5

DMA2_HND      ; Vector 6: DMA channel 2
      ...      ; Task starts here
      RETI   ; Back to main program                    5

DMA1_HND      ; Vector 4: DMA channel 1
      ...      ; Task starts here
      RETI   ; Back to main program                    5

DMA0_HND      ; Vector 2: DMA channel 0
      ...      ; Task starts here
      RETI   ; Back to main program                    5

```

10.2.10 Using the USCI_B I²C Module with the DMA Controller

The USCI_B I²C module provides two trigger sources for the DMA controller. The USCI_B I²C module can trigger a transfer when new I²C data is received and when data is needed for transmit.

A transfer is triggered if UCB0RXIFG is set. The UCB0RXIFG is cleared automatically when the DMA controller acknowledges the transfer. If UCB0RXIE is set, UCB0RXIFG will not trigger a transfer.

A transfer is triggered if UCB0TXIFG is set. The UCB0TXIFG is cleared automatically when the DMA controller acknowledges the transfer. If UCB0TXIE is set, UCB0TXIFG will not trigger a transfer.

10.2.11 Using ADC12 with the DMA Controller

MSP430 devices with an integrated DMA controller can automatically move data from any ADC12MEMx register to another location. DMA transfers are done without CPU intervention and independently of any low-power modes. The DMA controller increases throughput of the ADC12 module, and enhances low-power applications allowing the CPU to remain off while data transfers occur.

DMA transfers can be triggered from any ADC12IFGx flag. When CONSEQx = {0,2} the ADC12IFGx flag for the ADC12MEMx used for the conversion can trigger a DMA transfer. When CONSEQx = {1,3}, the ADC12IFGx flag for the last ADC12MEMx in the sequence can trigger a DMA transfer. Any ADC12IFGx flag is automatically cleared when the DMA controller accesses the corresponding ADC12MEMx.

10.2.12 Using DAC12 With the DMA Controller

MSP430 devices with an integrated DMA controller can automatically move data to the DAC12_xDAT register. DMA transfers are done without CPU intervention and independently of any low-power modes. The DMA controller increases throughput to the DAC12 module, and enhances low-power applications allowing the CPU to remain off while data transfers occur.

Applications requiring periodic waveform generation can benefit from using the DMA controller with the DAC12. For example, an application that produces a sinusoidal waveform may store the sinusoid values in a table. The DMA controller can continuously and automatically transfer the values to the DAC12 at specific intervals creating the sinusoid with zero CPU execution. The DAC12_xCTL DAC12IFG flag is automatically cleared when the DMA controller accesses the DAC12_xDAT register.

10.2.13 Using SD16 or SD16_A With the DMA Controller

MSP430 devices with an integrated DMA controller can automatically move data from any SD16MEMx register to another location. DMA transfers are done without CPU intervention and independently of any low-power modes. The DMA controller increases throughput of the SD16 or SD16_A module, and enhances low-power applications allowing the CPU to remain off while data transfers occur.

In Grouped mode DMA transfers can be triggered by the master channel that controls the group (i.e. the channel with the lowest channel number and SD16GRP = 0). Otherwise channel 0 can trigger DMA transfers. Any SD16IFG is automatically cleared when the DMA controller accesses the corresponding SD16MEMx register.

10.2.14 Writing to Flash With the DMA Controller

MSP430 devices with an integrated DMA controller can automatically move data to the Flash memory. DMA transfers are done without CPU intervention and independent of any low-power modes. The DMA controller performs the move of the data word/byte to the Flash. The write timing control is done by the Flash controller. Write transfers to the Flash memory succeed if the Flash controller set-up is prior to the DMA transfer and if the Flash is not busy.

10.3 DMA Registers

The DMA registers for MSP430FG43x devices are listed in Table 10–4. The DMA registers for MSP430FG461x and MSP430F471xx devices are listed in Table 10–5.

Table 10–4. DMA Registers, MSP430FG43x devices

Register	Short Form	Register Type	Address	Initial State
DMA control 0	DMACTL0	Read/write	0122h	Reset with POR
DMA control 1	DMACTL1	Read/write	0124h	Reset with POR
DMA channel 0 control	DMA0CTL	Read/write	01E0h	Reset with POR
DMA channel 0 source address	DMA0SA	Read/write	01E2h	Unchanged
DMA channel 0 destination address	DMA0DA	Read/write	01E4h	Unchanged
DMA channel 0 transfer size	DMA0SZ	Read/write	01E6h	Unchanged
DMA channel 1 control	DMA1CTL	Read/write	01E8h	Reset with POR
DMA channel 1 source address	DMA1SA	Read/write	01EAh	Unchanged
DMA channel 1 destination address	DMA1DA	Read/write	01ECh	Unchanged
DMA channel 1 transfer size	DMA1SZ	Read/write	01EEh	Unchanged
DMA channel 2 control	DMA2CTL	Read/write	01F0h	Reset with POR
DMA channel 2 source address	DMA2SA	Read/write	01F2h	Unchanged
DMA channel 2 destination address	DMA2DA	Read/write	01F4h	Unchanged
DMA channel 2 transfer size	DMA2SZ	Read/write	01F6h	Unchanged

Table 10–5. DMA Registers, MSP430FG461x, MSP430F471xx devices

Register	Short Form	Register Type	Address	Initial State
DMA control 0	DMACTL0	Read/write	0122h	Reset with POR
DMA control 1	DMACTL1	Read/write	0124h	Reset with POR
DMA interrupt vector	DMAIV	Read only	0126h	Reset with POR
DMA channel 0 control	DMA0CTL	Read/write	01D0h	Reset with POR
DMA channel 0 source address	DMA0SA	Read/write	01D2h	Unchanged
DMA channel 0 destination address	DMA0DA	Read/write	01D6h	Unchanged
DMA channel 0 transfer size	DMA0SZ	Read/write	01DAh	Unchanged
DMA channel 1 control	DMA1CTL	Read/write	01DCh	Reset with POR
DMA channel 1 source address	DMA1SA	Read/write	01DEh	Unchanged
DMA channel 1 destination address	DMA1DA	Read/write	01E2h	Unchanged
DMA channel 1 transfer size	DMA1SZ	Read/write	01E6h	Unchanged
DMA channel 2 control	DMA2CTL	Read/write	01E8h	Reset with POR
DMA channel 2 source address	DMA2SA	Read/write	01EAh	Unchanged
DMA channel 2 destination address	DMA2DA	Read/write	01EEh	Unchanged
DMA–channel 2 transfer size	DMA2SZ	Read/write	01F2h	Unchanged

DMACTL0, DMA Control Register 0

Reserved	Bits 15–12	Reserved
DMA2 TSELx	Bits 11–8	<p>DMA trigger select. These bits select the DMA transfer trigger. The trigger selection is device-specific. For MSP430FG43x and MSP430FG461x devices it is given below; for other devices, see the device-specific data sheet.</p> <p>0000 DMAREQ bit (software trigger)</p> <p>0001 TACCR2 CCIFG bit</p> <p>0010 TBCCR2 CCIFG bit</p> <p>0011 URXIFG0 (MSP430FG43x), UCA0RXIFG (MPS430FG461x)</p> <p>0100 UTXIFG0 (MSP430FG43x), UCA0TXIFG (MSP430FG461x)</p> <p>0101 DAC12_OCTL DAC12IFG bit</p> <p>0110 ADC12 ADC12IFGx bit</p> <p>0111 TACCR0 CCIFG bit</p> <p>1000 TBCCR0 CCIFG bit</p> <p>1001 URXIFG1 bit</p> <p>1010 UTXIFG1 bit</p> <p>1011 Multiplier ready</p> <p>1100 No action (MSP430FG43x), UCB0RXIFG (MSP430FG461x)</p> <p>1101 No action (MSP430FG43x), UCB0TXIFG (MSP430FG461x)</p> <p>1110 DMA0IFG bit triggers DMA channel 1 DMA1IFG bit triggers DMA channel 2 DMA2IFG bit triggers DMA channel 0</p> <p>1111 External trigger DMAE0</p>
DMA1 TSELx	Bits 7–4	Same as DMA2TSELx
DMA0 TSELx	Bits 3–0	Same as DMA2TSELx

DMACTL1, DMA Control Register 1

15	14	13	12	11	10	9	8
0	0	0	0	0	0	0	0
r0	r0	r0	r0	r0	r0	r0	r0
7	6	5	4	3	2	1	0
0	0	0	0	0	DMA ONFETCH	ROUND ROBIN	ENNMI
r0	r0	r0	r0	r0	rw-(0)	rw-(0)	rw-(0)

Reserved	Bits 15-3	Reserved. Read only. Always read as 0.
DMA ONFETCH	Bit 2	DMA on fetch 0 The DMA transfer occurs immediately 1 The DMA transfer occurs on next instruction fetch after the trigger
ROUND ROBIN	Bit 1	Round robin. This bit enables the round-robin DMA channel priorities. 0 DMA channel priority is DMA0 – DMA1 – DMA2 1 DMA channel priority changes with each transfer
ENNMI	Bit 0	Enable NMI. This bit enables the interruption of a DMA transfer by an NMI interrupt. When an NMI interrupts a DMA transfer, the current transfer is completed normally, further transfers are stopped, and DMAABORT is set. 0 NMI interrupt does not interrupt DMA transfer 1 NMI interrupt interrupts a DMA transfer

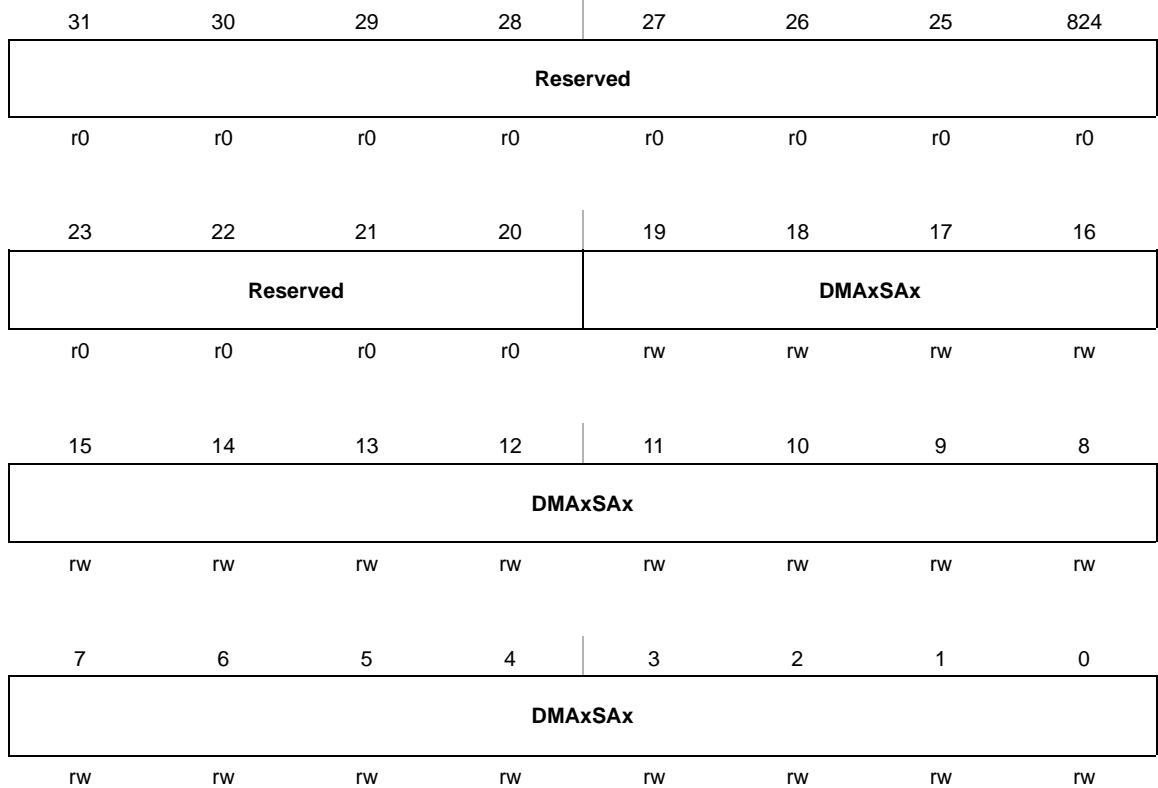
DMAxCTL, DMA Channel x Control Register

15	14	13	12	11	10	9	8
Reserved	DMADTx			DMADSTINCRx		DMASRCINCRx	
rw-(0)	rw-(0)	rw-(0)	rw-(0)	rw-(0)	rw-(0)	rw-(0)	rw-(0)
7	6	5	4	3	2	1	0
DMA DSTBYTE	DMA SRCBYTE	DMALEVEL	DMAEN	DMAIFG	DMAIE	DMA ABORT	DMAREQ
rw-(0)	rw-(0)	rw-(0)	rw-(0)	rw-(0)	rw-(0)	rw-(0)	rw-(0)

Reserved	Bit 15	Reserved
DMADTx	Bits 14–12	DMA Transfer mode. 000 Single transfer 001 Block transfer 010 Burst-block transfer 011 Burst-block transfer 100 Repeated single transfer 101 Repeated block transfer 110 Repeated burst-block transfer 111 Repeated burst-block transfer
DMA DSTINCRx	Bits 11–10	DMA destination increment. This bit selects automatic incrementing or decrementing of the destination address after each byte or word transfer. When DMADSTBYTE=1, the destination address increments/decrements by one. When DMADSTBYTE=0, the destination address increments/decrements by two. The DMAxDA is copied into a temporary register and the temporary register is incremented or decremented. DMAxDA is not incremented or decremented. 00 Destination address is unchanged 01 Destination address is unchanged 10 Destination address is decremented 11 Destination address is incremented
DMA SRCINCRx	Bits 9–8	DMA source increment. This bit selects automatic incrementing or decrementing of the source address for each byte or word transfer. When DMASRCBYTE=1, the source address increments/decrements by one. When DMASRCBYTE=0, the source address increments/decrements by two. The DMAxSA is copied into a temporary register and the temporary register is incremented or decremented. DMAxSA is not incremented or decremented. 00 Source address is unchanged 01 Source address is unchanged 10 Source address is decremented 11 Source address is incremented
DMA DSTBYTE	Bit 7	DMA destination byte. This bit selects the destination as a byte or word. 0 Word 1 Byte

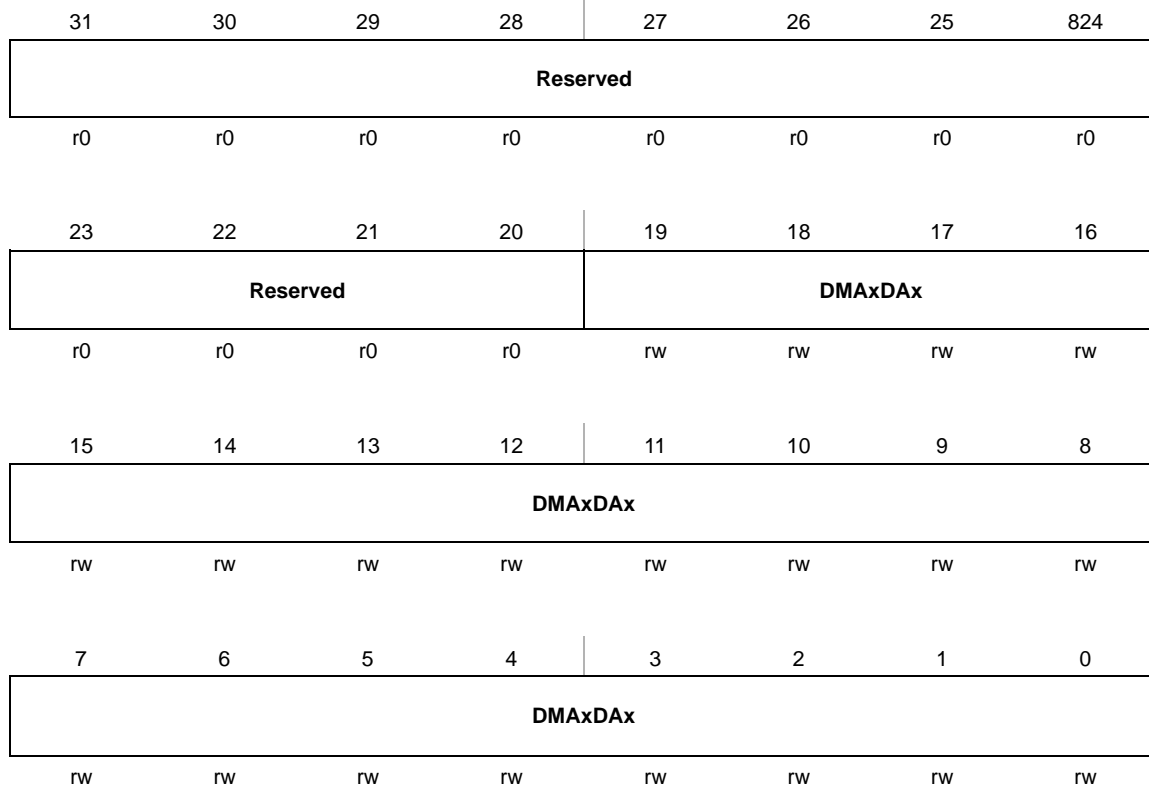
DMA SRCBYTE	Bit 6	DMA source byte. This bit selects the source as a byte or word. 0 Word 1 Byte
DMA LEVEL	Bit 5	DMA level. This bit selects between edge-sensitive and level-sensitive triggers. 0 Edge sensitive (rising edge) 1 Level sensitive (high level)
DMAEN	Bit 4	DMA enable 0 Disabled 1 Enabled
DMAIFG	Bit 3	DMA interrupt flag 0 No interrupt pending 1 Interrupt pending
DMAIE	Bit 2	DMA interrupt enable 0 Disabled 1 Enabled
DMA ABORT	Bit 1	DMA Abort. This bit indicates if a DMA transfer was interrupt by an NMI. 0 DMA transfer not interrupted 1 DMA transfer was interrupted by NMI
DMAREQ	Bit 0	DMA request. Software-controlled DMA start. DMAREQ is reset automatically. 0 No DMA start 1 Start DMA

DMAxSA, DMA Source Address Register



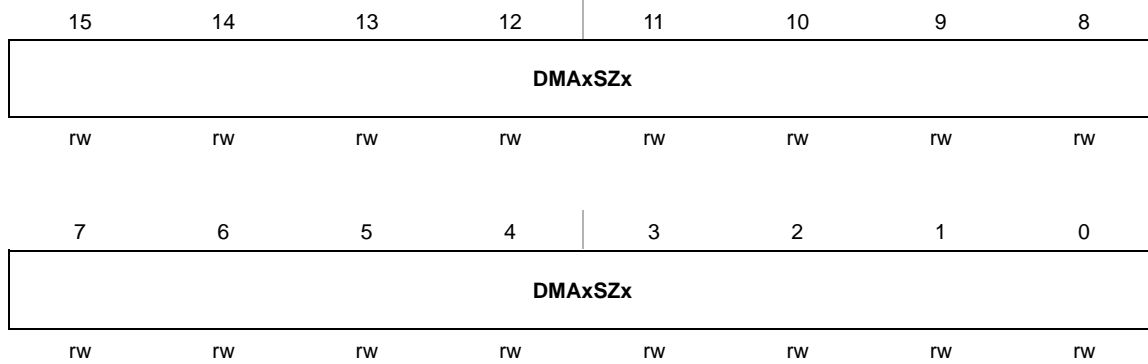
Reserved Bits 31–20 Reserved

DMAxSAx Bits 19–0 DMA source address. The source address register points to the DMA source address for single transfers or the first source address for block transfers. The source address register remains unchanged during block and burst-block transfers.
 Devices that have addressable memory range 64–KB or below contain a single word for the DMAxSA.
 MSP430FG461x and MSP430F471xx devices implement two words for the DMAxSA register as shown. Bits 31–20 are reserved and always read as zero. Reading or writing bits 19-16 requires the use of extended instructions. When writing to DMAxSA with word instructions, bits 19-16 are cleared.

DMAxDA, DMA Destination Address Register

Reserved Bits 31–20 Reserved

DMAxDAx Bits 19–0 DMA destination address. The destination address register points to the destination address for single transfers or the first address for block transfers. The DMAxDA register remains unchanged during block and burst-block transfers. Devices that have addressable memory range 64–KB or below contain a single word for the DMAxDA. MSP430FG461x and MSP430F471xx devices implement two words for the DMAxDA register as shown. Bits 31–20 are reserved and always read as zero. Reading or writing bits 19–16 requires the use of extended instructions. When writing to DMAxDA with word instructions, bits 19–16 are cleared.

DMAxSZ, DMA Size Address Register

DMAxSZx Bits 15–0 DMA size. The DMA size register defines the number of byte/word data per block transfer. DMAxSZ register decrements with each word or byte transfer. When DMAxSZ decrements to 0, it is immediately and automatically reloaded with its previously initialized value.

00000h Transfer is disabled
 00001h One byte or word to be transferred
 00002h Two bytes or words have to be transferred
 :
 0FFFFh 65535 bytes or words have to be transferred

DMAIV, DMA Interrupt Vector Register

15	14	13	12	11	10	9	8
0	0	0	0	0	0	0	0
r0	r0	r0	r0	r0	r0	r0	r0
7	6	5	4	3	2	1	0
0	0	0	0	DMAIVx			0
r0	r0	r0	r0	r-(0)	r-(0)	r-(0)	r0

DMAIVx Bits DMA Interrupt Vector value
 15-0

DMAIV Contents	Interrupt Source	Interrupt Flag	Interrupt Priority
00h	No interrupt pending	-	
02h	DMA channel 0	DMA0IFG	Highest
04h	DMA channel 1	DMA1IFG	
06h	DMA channel 2	DMA2IFG	
08h	Reserved	-	
0Ah	Reserved	-	
0Ch	Reserved	-	
0Eh	Reserved	-	Lowest



This chapter describes the operation of the digital I/O ports.

Topic	Page
11.1 Digital I/O Introduction	11-2
11.2 Digital I/O Operation	11-3
11.3 Digital I/O Registers	11-7

11.1 Digital I/O Introduction

MSP430 devices have up to ten digital I/O ports implemented, P1 to P10. Each port has eight I/O pins. Every I/O pin is individually configurable for input or output direction, and each I/O line can be individually read from or written to.

Ports P1 and P2 have interrupt capability. Each interrupt for the P1 and P2 I/O lines can be individually enabled and configured to provide an interrupt on a rising edge or falling edge of an input signal. All P1 I/O lines source a single interrupt vector, and all P2 I/O lines source a different, single interrupt vector.

The digital I/O features include:

- Independently programmable individual I/Os
- Any combination of input or output
- Individually configurable P1 and P2 interrupts
- Independent input and output data registers

11.2 Digital I/O Operation

The digital I/O is configured with user software. The setup and operation of the digital I/O is described in the following sections. Each port register is an 8-bit register and is accessed with byte instructions. Registers for P7/P8 and P9/P10 are arranged such that the two ports can be addressed at once as a 16-bit port. The P7/P8 combination is referred to as PA and the P9/P10 combination is referred to as PB in the standard definitions file. For example, to write to P7SEL and P8SEL simultaneously, a word write to PASEL would be used. Some examples of accessing these ports follow:

```

BIS.B #01h,&P7OUT      ; Set LSB of P7OUT.
                        ; P8OUT is unchanged
MOV.W #05555h,&PAOUT   ; P7OUT and P8OUT written
                        ; simultaneously
CLR.B &P9SEL           ; Clear P9SEL, P10SEL is unchanged
MOV.W &PBIN,&0200h     ; P9IN and P10IN read simultaneously
                        ; as 16-bit port.

```

11.2.1 Input Register PxIN

Each bit in each PxIN register reflects the value of the input signal at the corresponding I/O pin when the pin is configured as I/O function.

Bit = 0: The input is low

Bit = 1: The input is high

Note: Writing to Read-Only Registers PxIN

Writing to these read-only registers results in increased current consumption while the write attempt is active.

11.2.2 Output Registers PxOUT

Each bit in each PxOUT register is the value to be output on the corresponding I/O pin when the pin is configured as I/O function and output direction.

Bit = 0: The output is low

Bit = 1: The output is high

11.2.3 Direction Registers PxDIR

Each bit in each PxDIR register selects the direction of the corresponding I/O pin, regardless of the selected function for the pin. PxDIR bits for I/O pins that are selected for other module functions must be set as required by the other function.

Bit = 0: The port pin is switched to input direction

Bit = 1: The port pin is switched to output direction

11.2.4 Pullup/Pulldown Resistor Enable Registers PxREN (MSP430F47x3/4 and MSP430F471xx only)

In MSP430F47x3/4 and MSP430F471xx devices all port pins have a programmable pullup/pulldown resistor. Each bit in each PxREN register enables or disables the pullup/pulldown resistor of the corresponding I/O pin. The corresponding bit in the PxOUT register selects if the pin is pulled up or pulled down.

Bit = 0: Pullup/pulldown resistor disabled

Bit = 1: Pullup/pulldown resistor enabled

11.2.5 Function Select Registers PxSEL

Port pins are often multiplexed with other peripheral module functions. See the device-specific data sheet to determine pin functions. Each PxSEL bit is used to select the pin function — I/O port or peripheral module function.

Bit = 0: I/O function is selected for the pin

Bit = 1: Peripheral module function is selected for the pin

Setting PxSELx = 1 does not automatically set the pin direction. Other peripheral module functions may require the PxDIRx bits to be configured according to the direction needed for the module function. See the pin schematics in the device-specific data sheet.

```
;Output ACLK on P1.5 on MSP430F41x
BIS.B #020h,&P1SEL ; Select ACLK function for pin
BIS.B #020h,&P1DIR ; Set direction to output *Required*
```

Note: P1 and P2 Interrupts Are Disabled When PxSEL = 1

When any P1SELx or P2SELx bit is set, the corresponding pin's interrupt function is disabled. Therefore, signals on these pins do not generate P1 or P2 interrupts, regardless of the state of the corresponding P1IE or P2IE bit.

When a port pin is selected as an input to a peripheral, the input signal to the peripheral is a latched representation of the signal at the device pin. While PxSELx = 1, the internal input signal follows the signal at the pin. However, if the PxSELx = 0, the input to the peripheral maintains the value of the input signal at the device pin before the PxSELx bit was reset.

11.2.6 P1 and P2 Interrupts

Each pin in ports P1 and P2 have interrupt capability, configured with the PxIFG, PxIE, and PxIES registers. All P1 pins source a single interrupt vector, and all P2 pins source a different single interrupt vector. The PxIFG register can be tested to determine the source of a P1 or P2 interrupt.

Interrupt Flag Registers P1IFG, P2IFG

Each PxIFGx bit is the interrupt flag for its corresponding I/O pin and is set when the selected input signal edge occurs at the pin. All PxIFGx interrupt flags request an interrupt when their corresponding PxIE bit and the GIE bit are set. Each PxIFG flag must be reset with software. Software can also set each PxIFG flag, providing a way to generate a software-initiated interrupt.

Bit = 0: No interrupt is pending

Bit = 1: An interrupt is pending

Only transitions, not static levels, cause interrupts. If any PxIFGx flag becomes set during a Px interrupt service routine or is set after the RETI instruction of a Px interrupt service routine is executed, the set PxIFGx flag generates another interrupt. This ensures that each transition is acknowledged.

Note: PxIFG Flags When Changing PxOUT or PxDIR

Writing to P1OUT, P1DIR, P2OUT, or P2DIR can result in setting the corresponding P1IFG or P2IFG flags.

Note: Length of I/O Pin Interrupt Event

Any external interrupt event should be at least 1.5 times MCLK or longer, to ensure that it is accepted and the corresponding interrupt flag is set.

Interrupt Edge Select Registers P1IES, P2IES

Each PxIES bit selects the interrupt edge for the corresponding I/O pin.

Bit = 0: The PxIFGx flag is set with a low-to-high transition

Bit = 1: The PxIFGx flag is set with a high-to-low transition

Note: Writing to PxIESx

Writing to P1IES or P2IES can result in setting the corresponding interrupt flags.

PxIESx	PxINx	PxIFGx
0 → 1	0	May be set
0 → 1	1	Unchanged
1 → 0	0	Unchanged
1 → 0	1	May be set

Interrupt Enable P1IE, P2IE

Each PxIE bit enables the associated PxIFG interrupt flag.

Bit = 0: The interrupt is disabled

Bit = 1: The interrupt is enabled

11.2.7 Configuring Unused Port Pins

Unused I/O pins should be configured as I/O function, output direction, and left unconnected on the PC board, to reduce power consumption. The value of the PxOUT bit is don't care, because the pin is unconnected. See chapter *System Resets, Interrupts, and Operating Modes* for termination of unused pins.

11.3 Digital I/O Registers

The digital I/O registers are listed in Table 11–1 and Table 11–2.

Table 11–1. Digital I/O Registers, P1-P6

Port	Register	Short Form	Address	Register Type	Initial State
P1	Input	P1IN	020h	Read only	–
	Output	P1OUT	021h	Read/write	Unchanged
	Direction	P1DIR	022h	Read/write	Reset with PUC
	Interrupt Flag	P1IFG	023h	Read/write	Reset with PUC
	Interrupt Edge Select	P1IES	024h	Read/write	Unchanged
	Interrupt Enable	P1IE	025h	Read/write	Reset with PUC
	Port Select	P1SEL	026h	Read/write	Reset with PUC
	Resistor Enable	P1REN	027h	Read/write	Reset with PUC
P2	Input	P2IN	028h	Read only	–
	Output	P2OUT	029h	Read/write	Unchanged
	Direction	P2DIR	02Ah	Read/write	Reset with PUC
	Interrupt Flag	P2IFG	02Bh	Read/write	Reset with PUC
	Interrupt Edge Select	P2IES	02Ch	Read/write	Unchanged
	Interrupt Enable	P2IE	02Dh	Read/write	Reset with PUC
	Port Select	P2SEL	02Eh	Read/write	0C0h with PUC
	Resistor Enable	P2REN	02Fh	Read/write	Reset with PUC
P3	Input	P3IN	018h	Read only	–
	Output	P3OUT	019h	Read/write	Unchanged
	Direction	P3DIR	01Ah	Read/write	Reset with PUC
	Port Select	P3SEL	01Bh	Read/write	Reset with PUC
	Resistor Enable	P3REN	010h	Read/write	Reset with PUC
P4	Input	P4IN	01Ch	Read only	–
	Output	P4OUT	01Dh	Read/write	Unchanged
	Direction	P4DIR	01Eh	Read/write	Reset with PUC
	Port Select	P4SEL	01Fh	Read/write	Reset with PUC
	Resistor Enable	P4REN	011h	Read/write	Reset with PUC
P5	Input	P5IN	030h	Read only	–
	Output	P5OUT	031h	Read/write	Unchanged
	Direction	P5DIR	032h	Read/write	Reset with PUC
	Port Select	P5SEL	033h	Read/write	Reset with PUC
	Resistor Enable	P5REN	012h	Read/write	Reset with PUC
P6	Input	P6IN	034h	Read only	–
	Output	P6OUT	035h	Read/write	Unchanged
	Direction	P6DIR	036h	Read/write	Reset with PUC
	Port Select	P6SEL	037h	Read/write	Reset with PUC
	Resistor Enable	P6REN	013h	Read/write	Reset with PUC

Note: Resistor enable registers RxREN only available in MSP430F47x3/4 and MSP430F471xx devices.

Table 11–2. Digital I/O Registers, P7-P10

Port	Register	Short Form	Address	Register Type	Initial State
P7 PA	Input	P7IN	038h	Read only	–
	Output	P7OUT	03Ah	Read/write	Unchanged
	Direction	P7DIR	03Ch	Read/write	Reset with PUC
	Port Select	P7SEL	03Eh	Read/write	Reset with PUC
	Resistor Enable	P7REN	014h	Read/write	Reset with PUC
P8	Input	P8IN	039h	Read only	–
	Output	P8OUT	03Bh	Read/write	Unchanged
	Direction	P8DIR	03Dh	Read/write	Reset with PUC
	Port Select	P8SEL	03Fh	Read/write	Reset with PUC
	Resistor Enable	P8REN	015h	Read/write	Reset with PUC
P9 PB	Input	P9IN	008h	Read only	–
	Output	P9OUT	00Ah	Read/write	Unchanged
	Direction	P9DIR	00Ch	Read/write	Reset with PUC
	Port Select	P9SEL	00Eh	Read/write	Reset with PUC
	Resistor Enable	P9REN	016h	Read/write	Reset with PUC
P10	Input	P10IN	009h	Read only	–
	Output	P10OUT	00Bh	Read/write	Unchanged
	Direction	P10DIR	00Dh	Read/write	Reset with PUC
	Port Select	P10SEL	00Fh	Read/write	Reset with PUC
	Resistor Enable	P10REN	017h	Read/write	Reset with PUC

Note: Resistor enable registers RxREN only available in MSP430F47x3/4 and MSP430F471xx devices.

Watchdog Timer, Watchdog Timer+

The watchdog timer is a 16-bit timer that can be used as a watchdog or as an interval timer. This chapter describes the watchdog timer. The watchdog timer is implemented in all MSP430x4xx devices, except those with the enhanced watchdog timer, WDT+. The WDT+ is implemented in the MSP430F41x2, MSP430F42x, MSP430F42xA, MSP430FE42x, MSP430FE42xA, MSP430FG461x, MSP430F47x, MSP430FG47x, MSP430F47x3/4, and MSP430F471xx devices.

Topic	Page
12.1 Watchdog Timer Introduction	12-2
12.2 Watchdog Timer Operation	12-4
12.3 Watchdog Timer Registers	12-7

12.1 Watchdog Timer Introduction

The primary function of the watchdog timer (WDT) module is to perform a controlled system restart after a software problem occurs. If the selected time interval expires, a system reset is generated. If the watchdog function is not needed in an application, the module can be configured as an interval timer and can generate interrupts at selected time intervals.

Features of the watchdog timer module include:

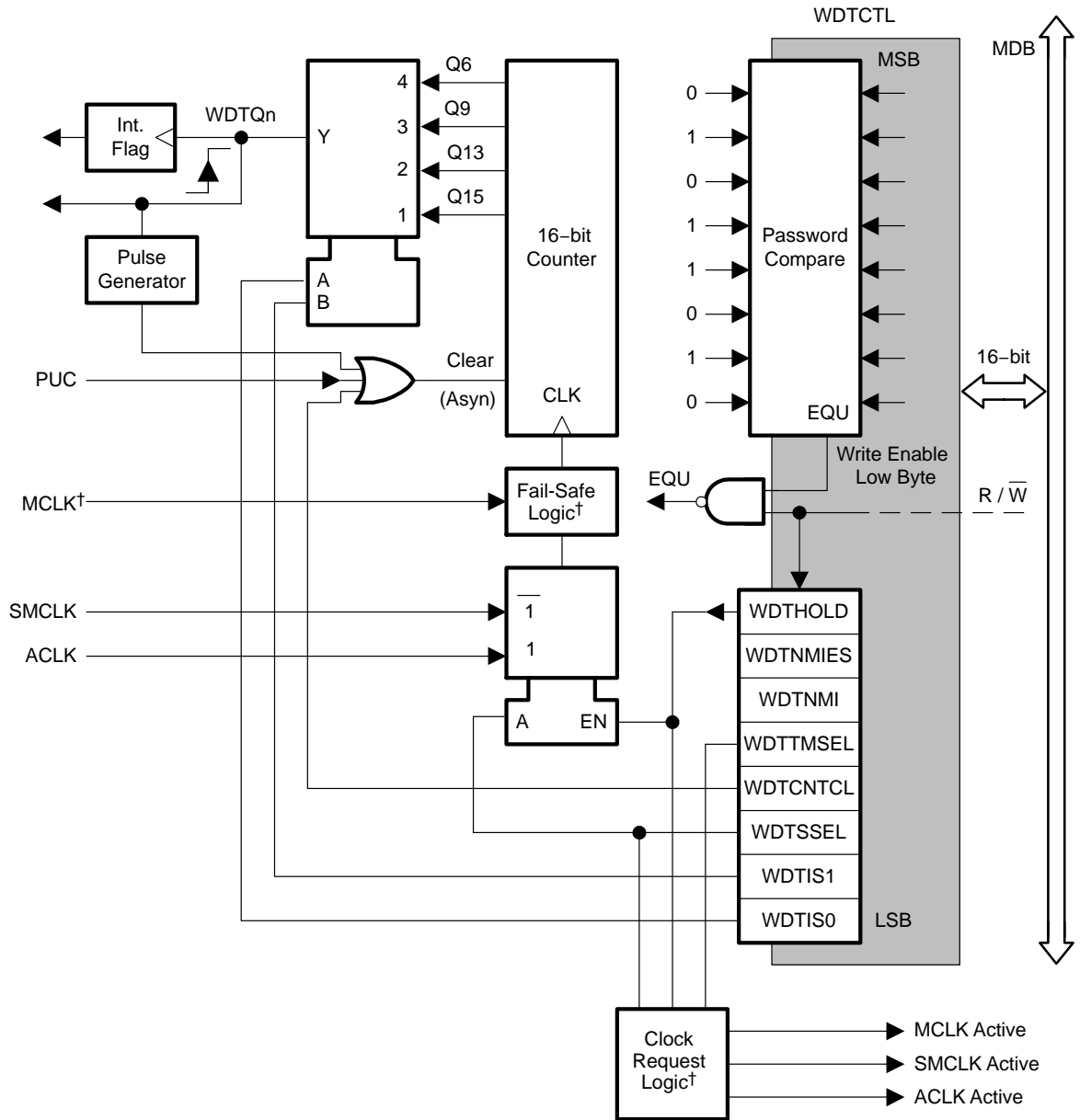
- Four software-selectable time intervals
- Watchdog mode
- Interval mode
- Access to WDT control register is password protected
- Control of $\overline{\text{RST}}$ /NMI pin function
- Selectable clock source
- Can be stopped to conserve power
- Clock fail-safe feature in WDT+

The WDT block diagram is shown in Figure 12–1.

Note: Watchdog Timer Powers Up Active

After a PUC, the WDT module is automatically configured in the watchdog mode with an initial 32768 clock cycle reset interval using the DCOCLK. The user must setup or halt the WDT prior to the expiration of the initial reset interval.

Figure 12–1. Watchdog Timer Block Diagram



† MSP430x42x, MSP430FE42x, MSP430FG461x, and MSP430F47x devices only

12.2 Watchdog Timer Operation

The WDT module can be configured as either a watchdog or interval timer with the WDTCTL register. The WDTCTL register also contains control bits to configure the $\overline{\text{RST}}$ /NMI pin. WDTCTL is a 16-bit password-protected read/write register. Any read or write access must use word instructions and write accesses must include the write password 05Ah in the upper byte. Any write to WDTCTL with any value other than 05Ah in the upper byte is a security key violation and triggers a PUC system reset regardless of timer mode. Any read of WDTCTL reads 069h in the upper byte. The WDT+ counter clock should be slower than or equal to the system (MCLK) frequency.

12.2.1 Watchdog Timer Counter

The watchdog timer counter (WDCNT) is a 16-bit up-counter that is not directly accessible by software. The WDCNT is controlled and time intervals selected through the watchdog timer control register WDTCTL.

The WDCNT can be sourced from ACLK or SMCLK. The clock source is selected with the WDTSSSEL bit.

12.2.2 Watchdog Mode

After a PUC condition, the WDT module is configured in the watchdog mode with an initial 32768 cycle reset interval using the DCOCLK. The user must setup, halt, or clear the WDT prior to the expiration of the initial reset interval, or another PUC is generated. When the WDT is configured to operate in watchdog mode, either writing to WDTCTL with an incorrect password or expiration of the selected time interval triggers a PUC. A PUC resets the WDT to its default condition and configures the $\overline{\text{RST}}$ /NMI pin to reset mode.

12.2.3 Interval Timer Mode

Setting the WDTTMSSEL bit to 1 selects the interval timer mode. This mode can be used to provide periodic interrupts. In interval timer mode, the WDTIFG flag is set at the expiration of the selected time interval. A PUC is not generated in interval timer mode at expiration of the selected timer interval and the WDTIFG enable bit WDTIE remains unchanged.

When the WDTIE bit and the GIE bit are set, the WDTIFG flag requests an interrupt. The WDTIFG interrupt flag is automatically reset when its interrupt request is serviced, or may be reset by software. The interrupt vector address in interval timer mode is different from that in watchdog mode.

Note: Modifying the Watchdog Timer

The WDT interval should be changed together with $WDTCNTCL = 1$ in a single instruction to avoid an unexpected immediate PUC or interrupt.

The WDT should be halted before changing the clock source to avoid a possible incorrect interval.

12.2.4 Watchdog Timer Interrupts

The WDT uses two bits in the SFRs for interrupt control.

- The WDT interrupt flag, WDTIFG, located in IFG1.0
- The WDT interrupt enable, WDTIE, located in IE1.0

When using the WDT in the watchdog mode, the WDTIFG flag sources a reset vector interrupt. The WDTIFG can be used by the reset interrupt service routine to determine if the watchdog caused the device to reset. If the flag is set, then the watchdog timer initiated the reset condition either by timing out or by a security key violation. If WDTIFG is cleared, the reset was caused by a different source.

When using the WDT in interval timer mode, the WDTIFG flag is set after the selected time interval and requests a WDT interval timer interrupt if the WDTIE and the GIE bits are set. The interval timer interrupt vector is different from the reset vector used in watchdog mode. In interval timer mode, the WDTIFG flag is reset automatically when the interrupt is serviced or can be reset with software.

12.2.5 WDT+ Enhancements

The WDT+ module provides enhanced functionality over the WDT. The WDT+ provides a fail-safe clocking feature to ensure that the clock to the WDT+ cannot be disabled while in watchdog mode. This means the low-power modes may be affected by the choice for the WDT+ clock. For example, if ACLK is the WDT+ clock source, LPM4 is not available, because the WDT+ prevents ACLK from being disabled. Also, if ACLK or SMCLK fail while sourcing the WDT+, the WDT+ clock source is automatically switched to MCLK. In this case, if MCLK is sourced from a crystal and the crystal has failed, the FLL+ fail-safe feature activates the DCO and uses it as the source for MCLK.

When the WDT+ module is used in interval timer mode, there is no fail-safe feature for the clock source.

12.2.6 Operation in Low-Power Modes

The MSP430 devices have several low-power modes. Different clock signals are available in different low-power modes. The requirements of the user's application and the type of clocking used determine how the WDT should be configured. For example, the WDT should not be configured in watchdog mode with SMCLK as its clock source if the user wants to use LPM3, because SMCLK is not active in LPM3 and the WDT would not function. If WDT+ is sourced from SMCLK, SMCLK remains enabled during LPM3, which increases the current consumption of LPM3. When the watchdog timer is not required, the WDTHOLD bit can be used to hold the WDTCNT, reducing power consumption.

12.2.7 Software Examples

Any write operation to WDTCTL must be a word operation with 05Ah (WDTPW) in the upper byte:

```
; Periodically clear an active watchdog
    MOV #WDTPW+WDTCNTCL,&WDTCTL
;
; Change watchdog timer interval
    MOV #WDTPW+WDTCNTL+WDTSEL,&WDTCTL
;
; Stop the watchdog
    MOV #WDTPW+WDTHOLD,&WDTCTL
;
; Change WDT to interval timer mode, clock/8192 interval
    MOV #WDTPW+WDTCNTCL+WDTTMSSEL+WDTIS0,&WDTCTL
```

12.3 Watchdog Timer Registers

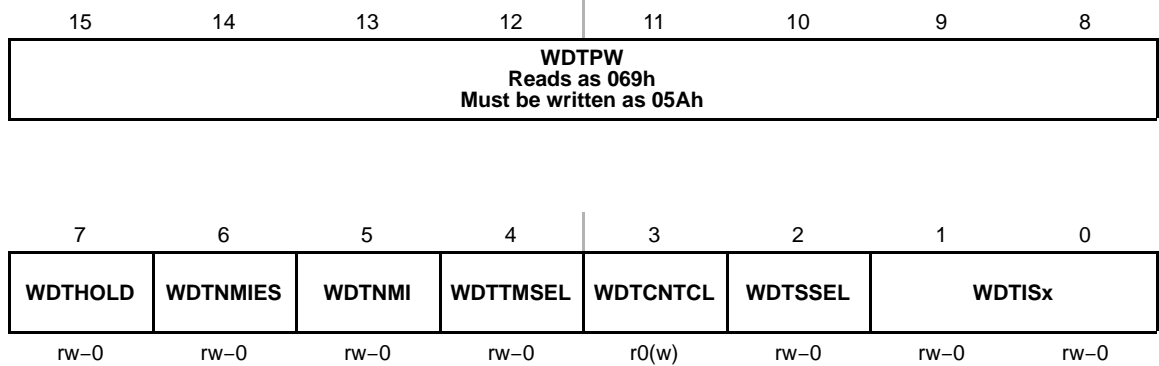
The watchdog timer module registers are listed in Table 12–1.

Table 12–1. Watchdog Timer Registers

Register	Short Form	Register Type	Address	Initial State
Watchdog timer control register	WDTCTL	Read/write	0120h	06900h with PUC
SFR interrupt enable register 1	IE1	Read/write	0000h	Reset with PUC
SFR interrupt flag register 1	IFG1	Read/write	0002h	Reset with PUC†

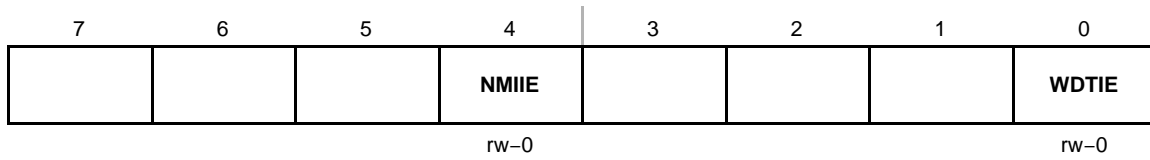
† WDTIFG is reset with POR

WDTCTL, Watchdog Timer Control Register



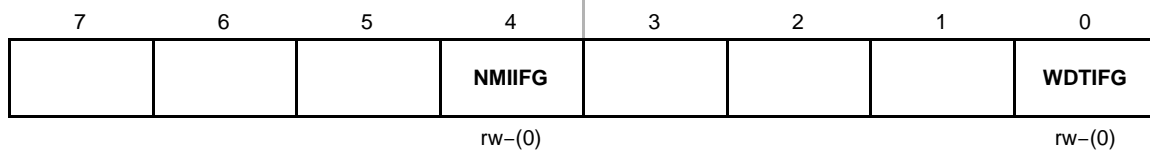
- WDPW** Bits 15-8 Watchdog timer password. Always read as 069h. Must be written as 05Ah, or a PUC is generated.
- WDT HOLD** Bit 7 Watchdog timer hold. This bit stops the watchdog timer. Setting WDT HOLD = 1 when the WDT is not in use conserves power.
 0 Watchdog timer is not stopped
 1 Watchdog timer is stopped
- WDT NMIES** Bit 6 Watchdog timer NMI edge select. This bit selects the interrupt edge for the NMI interrupt when WDT NMI = 1. Modifying this bit can trigger an NMI. Modify this bit when WDT NMI = 0 to avoid triggering an accidental NMI.
 0 NMI on rising edge
 1 NMI on falling edge
- WDT NMI** Bit 5 Watchdog timer NMI select. This bit selects the function for the $\overline{\text{RST}}$ /NMI pin.
 0 Reset function
 1 NMI function
- WDT TMSEL** Bit 4 Watchdog timer mode select
 0 Watchdog mode
 1 Interval timer mode
- WDT CNTCL** Bit 3 Watchdog timer counter clear. Setting WDT CNTCL = 1 clears the count value to 0000h. WDT CNTCL is automatically reset.
 0 No action
 1 WDT CNT = 0000h
- WDT SSEL** Bit 2 Watchdog timer clock source select
 0 SMCLK
 1 ACLK
- WDT ISx** Bits 1-0 Watchdog timer interval select. These bits select the watchdog timer interval to set the WDTIFG flag and/or generate a PUC.
 00 Watchdog clock source / 32768
 01 Watchdog clock source / 8192
 10 Watchdog clock source / 512
 11 Watchdog clock source / 64

IE1, Interrupt Enable Register 1



	Bits	7-5	These bits may be used by other modules. See device-specific data sheet.
NMIIE	Bit	4	NMI interrupt enable. This bit enables the NMI interrupt. Because other bits in IE1 may be used for other modules, it is recommended to set or clear this bit using <code>BIS.B</code> or <code>BIC.B</code> instructions, rather than <code>MOV.B</code> or <code>CLR.B</code> instructions. 0 Interrupt not enabled 1 Interrupt enabled
	Bits	3-1	These bits may be used by other modules. See device-specific data sheet.
WDTIE	Bit	0	Watchdog timer interrupt enable. This bit enables the WDTIFG interrupt for interval timer mode. It is not necessary to set this bit for watchdog mode. Because other bits in IE1 may be used for other modules, it is recommended to set or clear this bit using <code>BIS.B</code> or <code>BIC.B</code> instructions, rather than <code>MOV.B</code> or <code>CLR.B</code> instructions. 0 Interrupt not enabled 1 Interrupt enabled

IFG1, Interrupt Flag Register 1



Bits 7-5: These bits may be used by other modules. See device-specific data sheet.

NMIIFG Bit 4: NMI interrupt flag. NMIIFG must be reset by software. Because other bits in IFG1 may be used for other modules, it is recommended to clear NMIIFG by using `BIS.B` or `BIC.B` instructions, rather than `MOV.B` or `CLR.B` instructions.

0 No interrupt pending
1 Interrupt pending

Bits 3-1: These bits may be used by other modules. See device-specific data sheet.

WDTIFG Bit 0: Watchdog timer interrupt flag. In watchdog mode, WDTIFG remains set until reset by software. In interval mode, WDTIFG is reset automatically by servicing the interrupt, or it can be reset by software. Because other bits in IFG1 may be used for other modules, it is recommended to clear WDTIFG by using `BIS.B` or `BIC.B` instructions, rather than `MOV.B` or `CLR.B` instructions.

0 No interrupt pending
1 Interrupt pending

Basic Timer1

The Basic Timer1 module is composed of two independent cascadable 8-bit timers. This chapter describes the Basic Timer1. Basic Timer1 is implemented in all MSP430x4xx devices.

Topic	Page
13.1 Basic Timer1 Introduction	13-2
13.2 Basic Timer1 Operation	13-4
13.3 Basic Timer1 Registers	13-6

13.1 Basic Timer1 Introduction

The Basic Timer1 supplies LCD timing and low frequency time intervals. The Basic Timer1 is two independent 8-bit timers that can also be cascaded to form one 16-bit timer function.

Some uses for the Basic Timer1 include:

- Real-time clock (RTC) function
- Software time increments

Basic Timer1 features include:

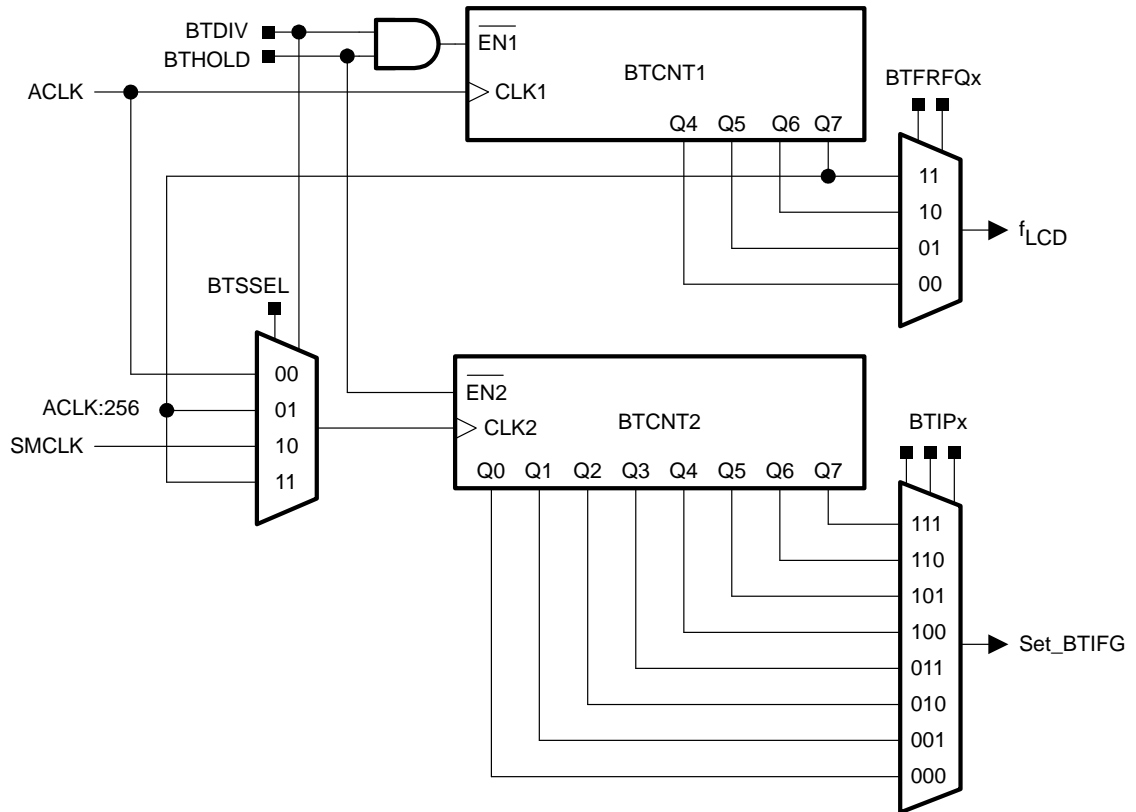
- Selectable clock source
- Two independent, cascadable 8-bit timers
- Interrupt capability
- LCD control signal generation

The Basic Timer1 block diagram is shown in Figure 13–1.

Note: Basic Timer1 Initialization

The Basic Timer1 module registers have no initial condition. These registers must be configured by user software before use.

Figure 13-1. Basic Timer1 Block Diagram



13.2 Basic Timer1 Operation

The Basic Timer1 module can be configured as two 8-bit timers or one 16-bit timer with the BTCTL register. The BTCTL register is an 8-bit read/write register. Any read or write access must use byte instructions. The Basic Timer1 controls the LCD frame frequency with BTCNT1.

13.2.1 Basic Timer1 Counter One

The Basic Timer1 counter one, BTCNT1, is an 8-bit timer/counter directly accessible by software. BTCNT1 is incremented with ACLK and provides the frame frequency for the LCD controller. BTCNT1 can be stopped by setting the BTHOLD and BTDIV bits.

13.2.2 Basic Timer1 Counter Two

The Basic Timer1 counter two, BTCNT2, is an 8-bit timer/counter directly accessible by software. BTCNT2 can be sourced from ACLK or SMCLK, or from ACLK/256 when cascaded with BTCNT1. The BTCNT2 clock source is selected with the BTSSEL and BTDIV bits. BTCNT2 can be stopped to reduce power consumption by setting the HOLD bit.

BTCNT2 sources the Basic Timer1 interrupt, BTIFG. The interrupt interval is selected with the BTIPx bits

Note: Reading or Writing BTCNT1 and BTCNT2

When the CPU clock and counter clock are asynchronous, any read from BTCNT1 or BTCNT2 may be unpredictable. Any write to BTCNT1 or BTCNT2 takes effect immediately.

13.2.3 16-Bit Counter Mode

The 16-bit timer/counter mode is selected when control the BTDIV bit is set. In this mode, BTCNT1 is cascaded with BTCNT2. The clock source of BTCNT1 is ACLK, and the clock source of BTCNT2 is ACLK/256.

13.2.4 Basic Timer1 Operation: Signal f_{LCD}

The LCD controller (but not the LCD_A controller) uses the f_{LCD} signal from the BTCNT1 to generate the timing for common and segment lines. ACLK sources BTCNT1 and is assumed to be 32768 Hz for generating f_{LCD} . The f_{LCD} frequency is selected with the BTFRFQx bits and can be ACLK/256, ACLK/128, ACLK/64, or ACLK/32. The proper f_{LCD} frequency depends on the LCD's frame frequency and the LCD multiplex rate and is calculated by:

$$f_{LCD} = 2 \times \text{mux} \times f_{\text{Frame}}$$

For example, to calculate f_{LCD} for a 3-mux LCD, with a frame frequency of 30 Hz to 100 Hz:

$$f_{\text{Frame}} \text{ (from LCD data sheet)} = 30 \text{ Hz to } 100 \text{ Hz}$$

$$f_{LCD} = 2 \times 3 \times f_{\text{Frame}}$$

$$f_{LCD(\text{min})} = 180 \text{ Hz}$$

$$f_{LCD(\text{max})} = 600 \text{ Hz}$$

$$\text{select } f_{LCD} = 32768/128 = 256 \text{ Hz or } 32768/64 = 512 \text{ Hz}$$

The LCD_A controller does not use the Basic Timer1 for f_{LCD} generation. See the *LCD Controller* and *LCD_A Controller* chapters for more details on the LCD controllers.

13.2.5 Basic Timer1 Interrupts

The Basic Timer1 uses two bits in the SFRs for interrupt control.

- Basic Timer1 interrupt flag, BTIFG, located in IFG2.7
- Basic Timer1 interrupt enable, BTIE, located in IE2.7

The BTIFG flag is set after the selected time interval and requests a Basic Timer1 interrupt if the BTIE and the GIE bits are set. The BTIFG flag is reset automatically when the interrupt is serviced, or it can be reset with software.

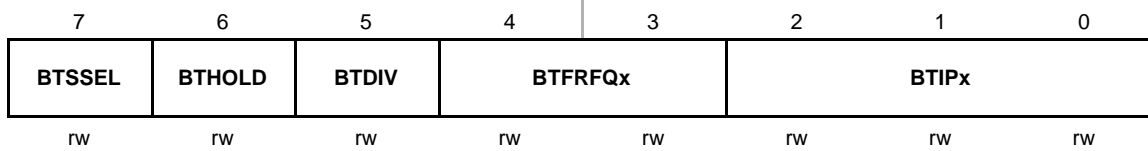
13.3 Basic Timer1 Registers

The Basic Timer1 module registers are listed in Table 13–1.

Table 13–1. Basic Timer1 Registers

Register	Short Form	Register Type	Address	Initial State
Basic Timer1 Control	BTCTL	Read/write	040h	Unchanged
Basic Timer1 Counter 1	BTCNT1	Read/write	046h	Unchanged
Basic Timer1 Counter 2	BTCNT2	Read/write	047h	Unchanged
SFR interrupt enable register 2	IE2	Read/write	001h	Reset with PUC
SFR interrupt flag register 2	IFG2	Read/write	003h	Reset with PUC

Note: The Basic Timer1 registers should be configured at power-up. There is no initial state for BTCTL, BTCNT1, or BTCNT2.

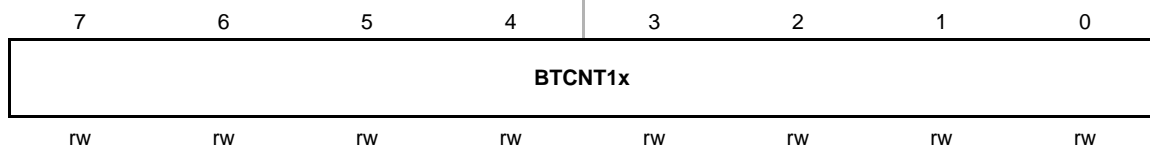
BTCTL, Basic Timer1 Control Register

BTSSSEL	Bit 7	BTCNT2 clock select. This bit, together with the BTDIV bit, selects the clock source for BTCNT2. See the description for BTDIV.
BTHOLD	Bit 6	Basic Timer1 hold 0 BTCNT1 and BTCNT2 are operational 1 BTCNT1 is held if BTDIV=1 BTCNT2 is held
BTDIV	Bit 5	Basic Timer1 clock divide. This bit together with the BTSSSEL bit, selects the clock source for BTCNT2.

BTSSSEL	BTDIV	BTCNT2 Clock Source
0	0	ACLK
0	1	ACLK/256
1	0	SMCLK
1	1	ACLK/256

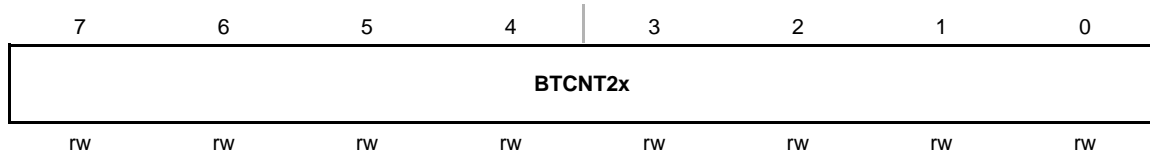
BTFRFQx	Bits 4–3	f_{LCD} frequency. These bits control the LCD update frequency. 00 $f_{ACLK}/32$ 01 $f_{ACLK}/64$ 10 $f_{ACLK}/128$ 11 $f_{ACLK}/256$
BTIPx	Bits 2–0	Basic Timer1 interrupt interval 000 $f_{CLK2}/2$ 001 $f_{CLK2}/4$ 010 $f_{CLK2}/8$ 011 $f_{CLK2}/16$ 100 $f_{CLK2}/32$ 101 $f_{CLK2}/64$ 110 $f_{CLK2}/128$ 111 $f_{CLK2}/256$

BTCNT1, Basic Timer1 Counter 1

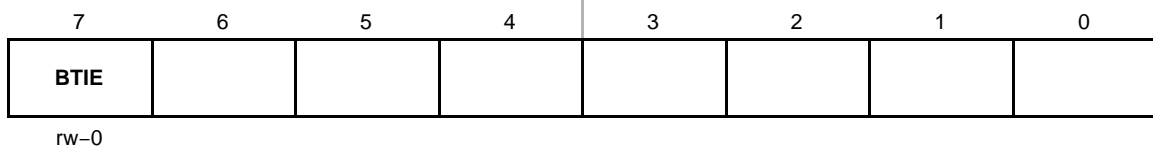


BTCNT1x Bits 7-0 BTCNT1 register. The BTCNT1 register is the count of BTCNT1.

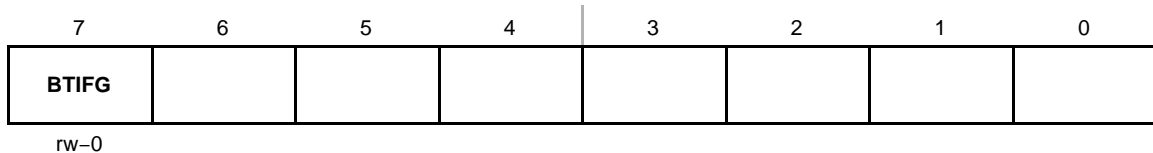
BTCNT2, Basic Timer1 Counter 2



BTCNT2x Bits 7-0 BTCNT2 register. The BTCNT2 register is the count of BTCNT2.

IE2, Interrupt Enable Register 2

BTIE	Bit 7	Basic Timer1 interrupt enable. This bit enables the BTIFG interrupt. Because other bits in IE2 may be used for other modules, it is recommended to set or clear this bit using <code>BIS.B</code> or <code>BIC.B</code> instructions, rather than <code>MOV.B</code> or <code>CLR.B</code> instructions. 0 Interrupt not enabled 1 Interrupt enabled
	Bits 6-1	These bits may be used by other modules. See device-specific data sheet.

IFG2, Interrupt Flag Register 2

BTIFG	Bit 7	Basic Timer1 interrupt flag. Because other bits in IFG2 may be used for other modules, it is recommended to clear BTIFG automatically by servicing the interrupt, or by using <code>BIS.B</code> or <code>BIC.B</code> instructions, rather than <code>MOV.B</code> or <code>CLR.B</code> instructions. 0 No interrupt pending 1 Interrupt pending
	Bits 6-1	These bits may be used by other modules. See device-specific data sheet.



Real-Time Clock

The Real-Time Clock module is a 32-bit counter module with calendar function. This chapter describes the Real-Time Clock (RTC) module of the MSP430x4xx family. The RTC is implemented in MSP430F41x2, MSP430FG461x, MSP430F47x, MSP430FG47x, MSP430F47x3/4, and MSP430F471xx devices.

Topic	Page
14.1 Real-Time Clock Introduction	14-2
14.2 Real-Time Clock Operation	14-4
14.3 Real-Time Clock Registers	14-7

14.1 RTC Introduction

The Real-Time Clock (RTC) module can be used as a general-purpose 32-bit timer or as a RTC with calendar function.

RTC features include:

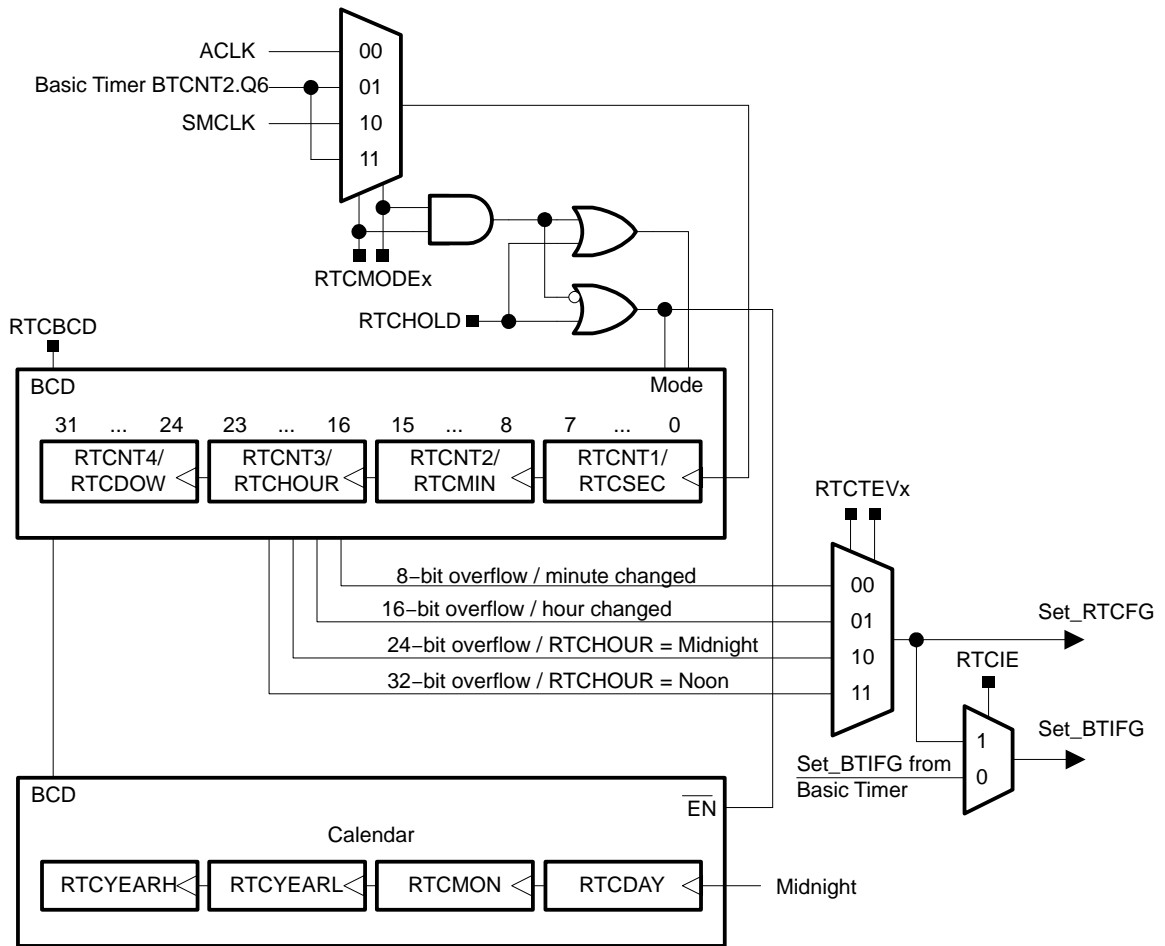
- Calender and clock mode
- 32-bit counter mode with selectable clock sources
- Automatic counting of seconds, minutes, hours, day of week, day of month, month and year in calender mode.
- Interrupt capability
- Selectable BCD format

The RTC block diagram is shown in Figure 14–1.

Note: Real-Time Clock Initialization

Most RTC module registers have no initial condition. These registers must be configured by user software before use.

Figure 14-1. Real-Time Clock



14.2 Real-Time Clock Operation

The Real-Time Clock module can be configured as a real-time clock with calendar function or as a 32-bit general-purpose counter with the RTCMODEx bits.

14.2.1 Counter Mode

Counter mode is selected when RTCMODEx < 11. In this mode, a 32-bit counter is provided that is directly accessible by software. Switching from calendar to counter mode resets the count value.

The clock to increment the counter can be sourced from ACLK, SMCLK, or from the BTCNT2 input clock divided by 128 from the Basic Timer1 module, selected by the RTCMODEx bits. The counter can be stopped by setting the RTCHOLD bit.

Four individual 8-bit counters are cascaded to provide the 32-bit counter. This provides interrupt triggers at 8-bit, 16-bit, 24-bit, and 32-bit overflows. Each counter RTCNT1 - RTCNT4 is individually accessible and may be read or written to.

Note: Accessing the RTCNTx registers

When the counter clock is asynchronous to the CPU clock, any read from any RTCNTx register should occur while the counter is not operating. Otherwise, the results may be unpredictable. Alternatively, the counter may be read multiple times while operating, and a majority vote taken in software to determine the correct reading. Any write to any RTCNTx register takes effect immediately.

14.2.2 Calendar Mode

Calendar mode is selected when RTCMODEx = 11. In calendar mode the RTC provides seconds, minutes, hours, day of week, day of month, month, and year in selectable BCD or hexadecimal format. Switching from counter to calendar mode clears the seconds, minutes, hours, day-of-week, and year counts and sets day-of-month and month counts to 1.

When RTCBCD = 1, BCD format is selected for the calendar registers. The format must be selected before the time is set. Changing the state of RTCBCD clears the seconds, minutes, hours, day-of-week, and year counts and sets day-of-month and month counts to 1.

The calendar includes a leap year algorithm that considers all years evenly divisible by 4 as leap years. This algorithm is accurate from the year 1901 through 2099.

Note: Accessing the Real-Time Clock registers

When the counter clock is asynchronous to the CPU clock, any read from any counting register should occur while the counter is not operating. Otherwise, the results may be unpredictable. Alternatively, the counter may be read multiple times while operating, and a majority vote taken in software to determine the correct reading.

Any write to any counting register takes effect immediately. However the clock is stopped during the write. This could result in losing up to one second during a write. Writing of data outside the legal ranges results in unpredictable behavior.

The RTC does not provide an alarm function. It can easily be implemented in software if required.

14.2.3 RTC and Basic Timer1 Interaction

In calendar mode the Basic Timer1 is automatically configured as a pre-divider for the RTC module with the two 8-bit timers cascaded and ACLK selected as the Basic Timer1 clock source. The BTSSEL, BTHOLD and BTDIV bits are ignored and RTCHOLD controls both the RTC and the Basic Timer1.

RTC and Basic Timer1 interrupts interact as described in Section 14.2.4, *Real-Time Clock Interrupts*.

14.2.4 Real-Time Clock Interrupts

The Real-Time Clock uses two bits for interrupt control.

- Basic Timer1 interrupt flag, BTIFG, located in IFG2.7
- Real-Time Clock interrupt enable, RTCIE, located in the module

The Real-Time Clock module shares the Basic Timer1 interrupt flag and vector. When RTCIE = 0, the Basic Timer1 controls interrupt generation with the BTIPx bits. In this case, the RTCEVx bits select the interval for setting the RTCFG flag, but the RTCFG flag does not generate an interrupt. The RTCFG flag must be cleared with software when RTCIE = 0.

When RTCIE = 1, the RTC controls interrupt generation and the Basic Timer1 BTIPx bits are ignored. In this case, the RTCFG and BTIFG flags are set at the interval selected with the RTCEVx bits, and an interrupt request is generated if the GIE bit is set. Both the RTCFG and BTIFG flags are reset automatically when the interrupt is serviced, or can be reset with software.

The interrupt intervals are listed in Table 14–1.

Table 14–1. RTC Interrupt Intervals

RTC Mode	RTCEVx	Interrupt Interval
Counter Mode	00	8-bit overflow
	01	16-bit overflow
	10	24-bit overflow
	11	32-bit overflow
Calendar Mode	00	Minute changed
	01	Hour changed
	10	Every day at midnight (00:00)
	11	Every day at noon (12:00)

14.3 Real-Time Clock Registers

The Real-Time Clock registers are listed in Table 14–2 for byte access. They may be accessed with word instructions as listed in Table 14–3.

Table 14–2. Real-Time Clock Registers

Register	Short Form	Register Type	Address	Initial State
Real-Time Clock control register	RTCCTL	Read/write	041h	040h with POR
Real-Time Clock second Real-Time Counter register 1	RTCSEC/ RTCNT1	Read/write	042h	None, not reset
Real-Time Clock minute Real-Time Counter register 2	RTCMIN/ RTCNT2	Read/write	043h	None, not reset
Real-Time Clock hour Real-Time Counter register 3	RTCHOUR/ RTCNT3	Read/write	044h	None, not reset
Real-Time Clock day-of-Week Real-Time Counter register 4	RTCDOW/ RTCNT4	Read/write	045h	None, not reset
Real-Time Clock day-of-month	RTCDAY	Read/write	04Ch	None, not reset
Real-Time Clock month	RTCMON	Read/write	04Dh	None, not reset
Real-Time Clock year (low byte)	RTCYEARL	Read/write	04Eh	None, not reset
Real-Time Clock year (high byte)	RTCYEARH	Read/write	04Fh	None, not reset
SFR interrupt enable register 2	IE2	Read/write	001h	Reset with PUC
SFR interrupt flag register 2	IFG2	Read/write	003h	Reset with PUC

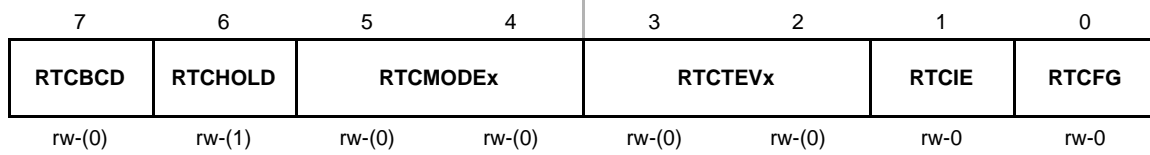
Note: Modifying SFR bits

To avoid modifying control bits of other modules, it is recommended to set or clear the IEx and IFGx bits using `BIS.B` or `BIC.B` instructions, rather than `MOV.B` or `CLR.B` instructions.

Table 14–3. Real-Time Clock Registers, Word Access

Word Register	Short Form	High-Byte Register	Low-Byte Register	Address
Real-Time control register	RTCTL	RTCCTL	BTCTL	040h
Real-Time Clock time 0 Real-Time Counter registers 1,2	RTCTIM0/ RTCNT12	RTCMIN/ RTCNT2	RTCSEC/ RTCNT1	042h
Real-Time Clock time 1 Real-Time Counter registers 3,4	RTCTIM1/ RTCNT34	RTCDOW/ RTCNT4	RTCHOUR/ RTCNT3	044h
Real-Time Clock date	RTCDATE	RTCMON	RTCDAY	04Ch
Real-Time Clock year	RTCYEAR	RTCYEARH	RTCYEARL	04Eh

RTCCTL, Real-Time Clock Control Register



RTCB CD Bit 7 BCD format select. This bit selects BCD format for the calendar registers when RTCMODEx = 11.
 0 Hexadecimal format
 1 BCD format

RTCHOLD Bit 6 Real-Time Clock hold
 0 Real-Time Clock is operational
 1 RTCMODEx < 11: The RTC module is stopped
 RTCMODEx = 11: The RTC and the Basic Timer1 are stopped

RTCMODEx Bits 5-4 Real-Time Clock mode and clock source select

RTCMODEx	Counter Mode	Clock Source
00	32-bit counter	ACLK
01	32-bit counter	BTCNT2.Q6
10	32-bit counter	SMCLK
11	Calendar mode	BTCNT2.Q6

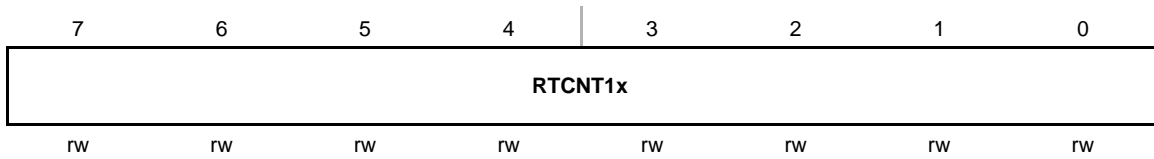
RTCTEVx Bits 3-2 Real-Time Clock interrupt event. These bits select the event for setting RTCFCG.

RTC Mode	RTCTEVx	Interrupt Interval
Counter Mode	00	8-bit overflow
	01	16-bit overflow
	10	24-bit overflow
	11	32-bit overflow
Calendar Mode	00	Minute changed
	01	Hour changed
	10	Every day at midnight (00:00)
	11	Every day at noon (12:00)

RTCIE Bit 1 Real-Time Clock interrupt enable
 0 Interrupt not enabled
 1 Interrupt enabled

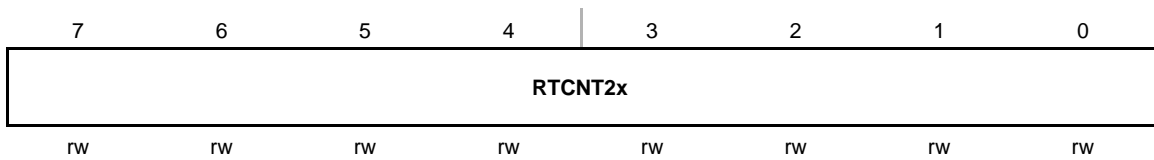
RTCFCG Bit 0 Real-Time Clock interrupt flag
 0 No time event occurred
 1 Time event occurred

RTCNT1, RTC Counter 1, Counter Mode



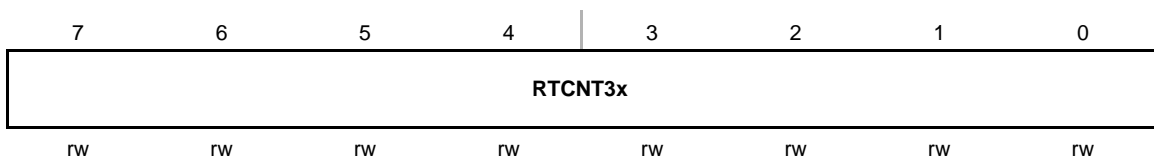
RTCNT1x Bits RTCNT1 register. The RTCNT1 register is the count of RTCNT1.
 7-0

RTCNT2, RTC Counter 2, Counter Mode



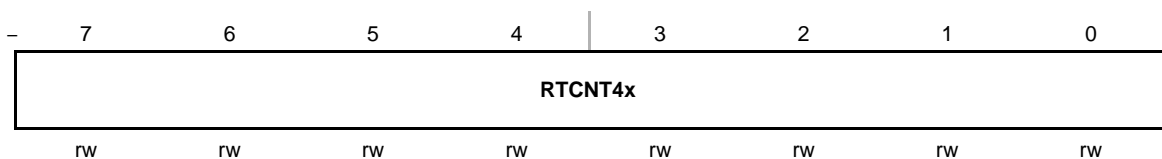
RTCNT2x Bits RTCNT2 register. The RTCNT2 register is the count of RTCNT2.
 7-0

RTCNT3, RTC Counter 3, Counter Mode



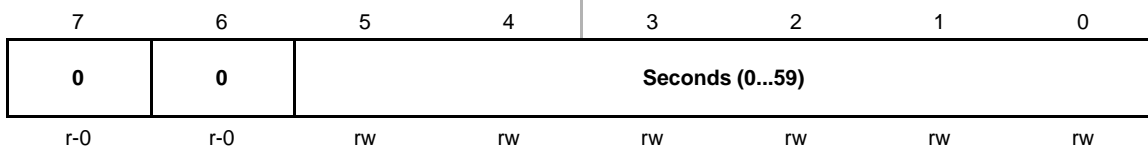
RTCNT3x Bits RTCNT3 register. The RTCNT3 register is the count of RTCNT3.
 7-0

RTCNT4, RTC Counter 4, Counter Mode

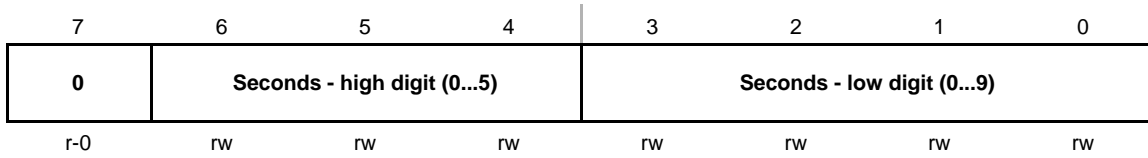


RTCNT4x Bits RTCNT4 register. The RTCNT4 register is the count of RTCNT4.
 7-0

RTCSEC, RTC Seconds Register, Calendar Mode with Hexadecimal Format



RTCSEC, RTC Seconds Register, Calendar Mode with BCD Format



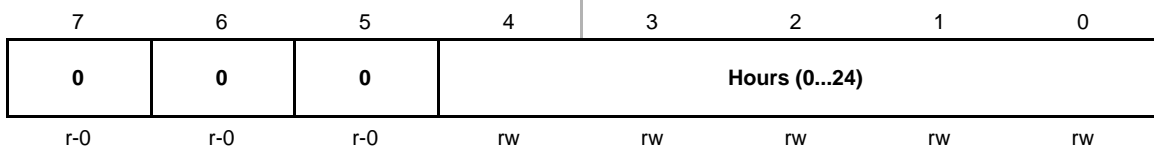
RTCMIN, RTC Minutes Register, Calendar Mode with Hexadecimal Format



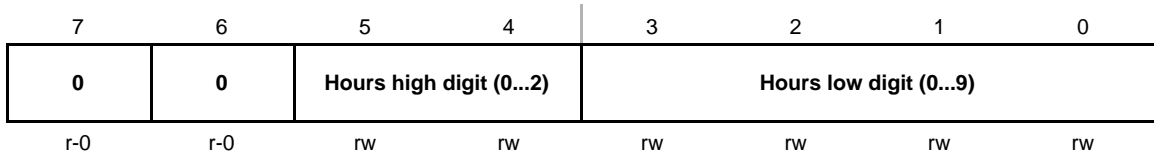
RTCMIN, RTC Minutes Register, Calendar Mode with BCD Format



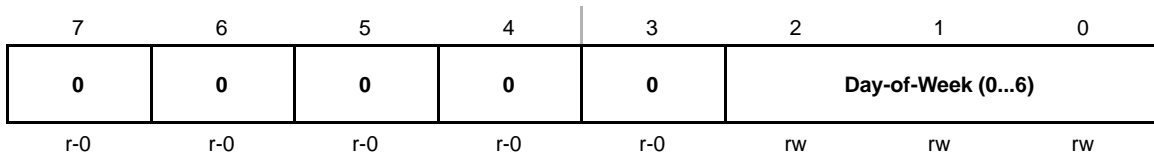
RTCHOUR, RTC Hours Register, Calendar Mode with Hexadecimal Format



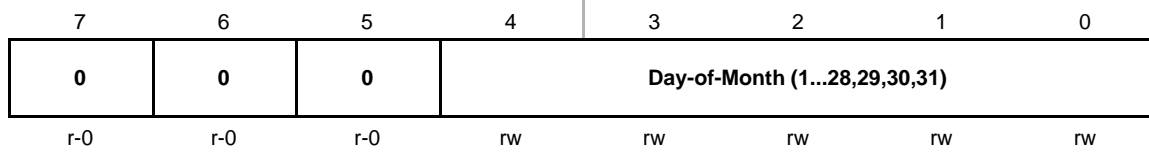
RTCHOUR, RTC Hours Register, Calendar Mode with BCD Format



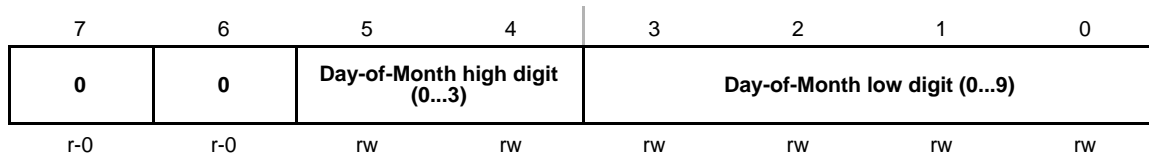
RTCDOW, RTC Day-of-Week Register, Calendar Mode



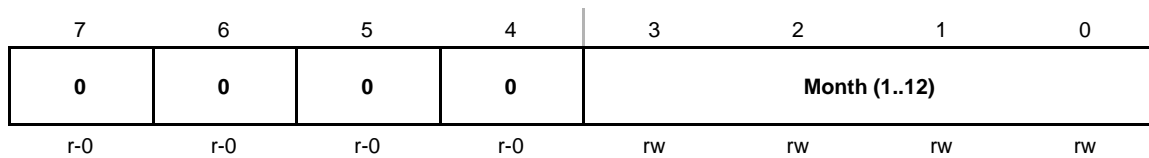
RTCDAY, RTC Day-of-Month Register, Calendar Mode with Hexadecimal Format



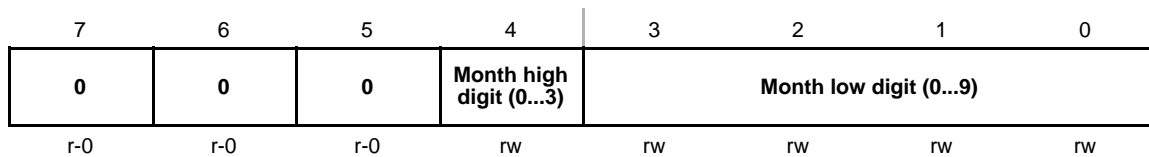
RTCDAY, RTC Day-of-Month Register, Calendar Mode with BCD Format



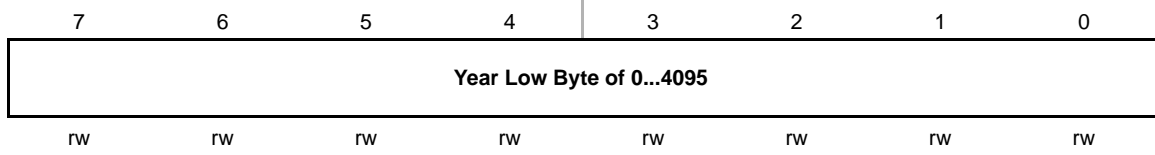
RTCMON, RTC Month Register, Calendar Mode with Hexadecimal Format



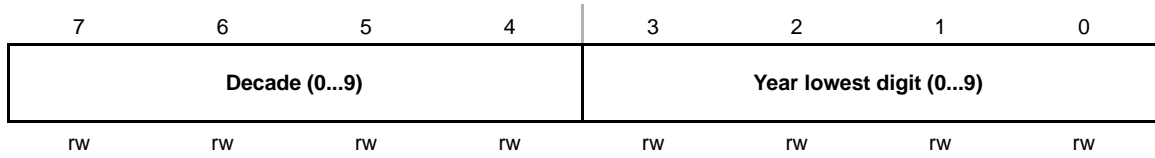
RTCMON, RTC Month Register, Calendar Mode with BCD Format



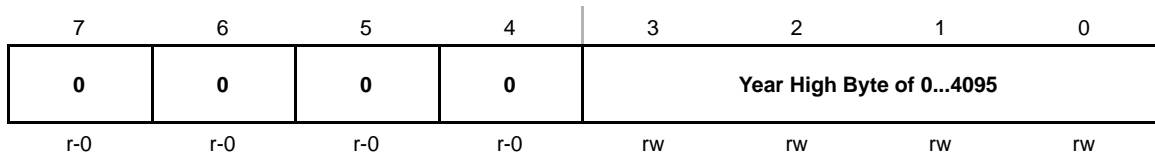
RTCYEARL, RTC Year Low-Byte Register, Calendar Mode with Hexadecimal Format



RTCYEARL, RTC Year Low-Byte Register, Calendar Mode with BCD Format



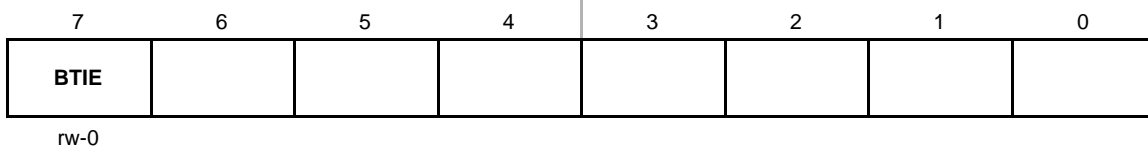
RTCYEARH, RTC Year High-Byte Register, Calendar Mode with Hexadecimal Format



RTCYEARH, RTC Year High-Byte Register, Calendar Mode with BCD Format



IE2, Interrupt Enable Register 2

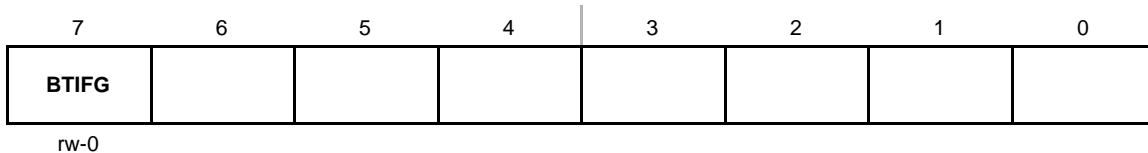


BTIE Bit 7 Basic Timer1 interrupt enable. This bit enables the BTIFG interrupt. Because other bits in IE2 may be used for other modules, it is recommended to set or clear this bit using `BIS.B` or `BIC.B` instructions, rather than `MOV.B` or `CLR.B` instructions.

0 Interrupt not enabled
1 Interrupt enabled

Bits These bits may be used by other modules. See device-specific data sheet.
6-1

IFG2, Interrupt Flag Register 2



BTIFG Bit 7 Basic Timer1 interrupt flag. Because other bits in IFG2 may be used for other modules, it is recommended to clear BTIFG automatically by servicing the interrupt, or by using `BIS.B` or `BIC.B` instructions, rather than `MOV.B` or `CLR.B` instructions.

0 No interrupt pending
1 Interrupt pending

Bits These bits may be used by other modules. See device-specific data sheet.
6-1

Timer_A

Timer_A is a 16-bit timer/counter with multiple capture/compare registers. This chapter describes Timer_A. This chapter describes the operation of the Timer_A of the MSP430x4xx device family.

Topic	Page
15.1 Timer_A Introduction	15-2
15.2 Timer_A Operation	15-4
15.3 Timer_A Registers	15-19

15.1 Timer_A Introduction

Timer_A is a 16-bit timer/counter with three or five capture/compare registers. Timer_A can support multiple capture/compares, PWM outputs, and interval timing. Timer_A also has extensive interrupt capabilities. Interrupts may be generated from the counter on overflow conditions and from each of the capture/compare registers.

Timer_A features include:

- Asynchronous 16-bit timer/counter with four operating modes
- Selectable and configurable clock source
- Three or five configurable capture/compare registers
- Configurable outputs with PWM capability
- Asynchronous input and output latching
- Interrupt vector register for fast decoding of all Timer_A interrupts

The block diagram of Timer_A is shown in Figure 15–1.

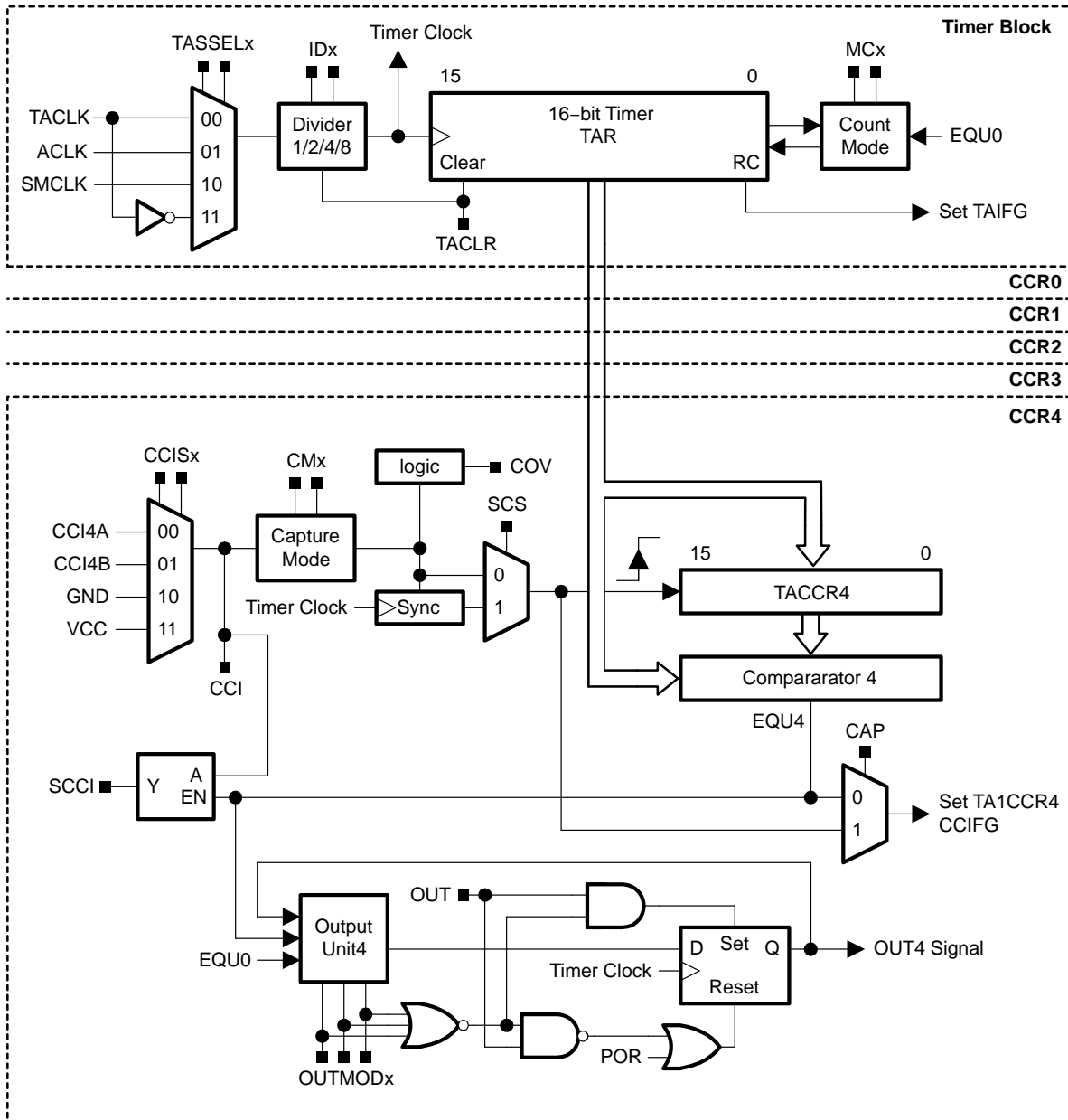
Note: Use of the Word *Count*

Count is used throughout this chapter. It means the counter must be in the process of counting for the action to take place. If a particular value is directly written to the counter, then an associated action does not take place.

Note: Second Timer_A On Select Devices

MSP430x415, MSP430x417, and MSP430xW42x devices implement a second Timer_A with five capture/compare registers. On these devices, both Timer_A modules are identical in function, except for the additional capture/compare registers.

Figure 15-1. Timer_A Block Diagram



15.2 Timer_A Operation

The Timer_A module is configured with user software. The setup and operation of Timer_A is discussed in the following sections.

15.2.1 16-Bit Timer Counter

The 16-bit timer/counter register, TAR, increments or decrements (depending on mode of operation) with each rising edge of the clock signal. TAR can be read or written with software. Additionally, the timer can generate an interrupt when it overflows.

TAR may be cleared by setting the TACLRL bit. Setting TACLRL also clears the clock divider and count direction for up/down mode.

Note: Modifying Timer_A Registers

It is recommended to stop the timer before modifying its operation (with exception of the interrupt enable, interrupt flag, and TACLRL) to avoid errant operating conditions.

When the timer clock is asynchronous to the CPU clock, any read from TAR should occur while the timer is not operating or the results may be unpredictable. Alternatively, the timer may be read multiple times while operating, and a majority vote taken in software to determine the correct reading. Any write to TAR takes effect immediately.

Clock Source Select and Divider

The timer clock can be sourced from ACLK, SMCLK, or externally via TACLK or INCLK. The clock source is selected with the TASSELx bits. The selected clock source may be passed directly to the timer or divided by 2, 4, or 8 using the IDx bits. The clock divider is reset when TACLRL is set.

15.2.2 Starting the Timer

The timer may be started or restarted in the following ways:

- The timer counts when MCx > 0 and the clock source is active.
- When the timer mode is either up or up/down, the timer may be stopped by writing 0 to TACCR0. The timer may then be restarted by writing a nonzero value to TACCR0. In this scenario, the timer starts incrementing in the up direction from zero.

15.2.3 Timer Mode Control

The timer has four modes of operation as described in Table 15–1: stop, up, continuous, and up/down. The operating mode is selected with the MCx bits.

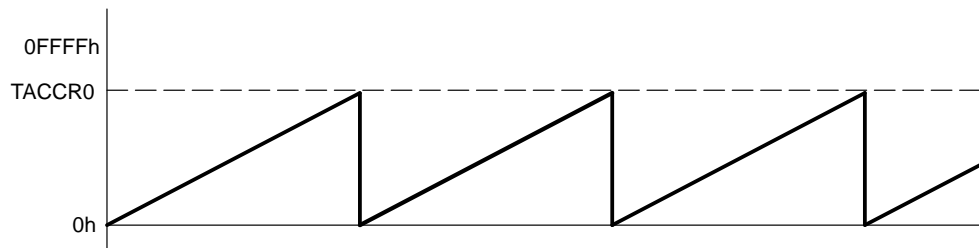
Table 15–1. Timer Modes

MCx	Mode	Description
00	Stop	The timer is halted.
01	Up	The timer repeatedly counts from zero to the value of TACCR0.
10	Continuous	The timer repeatedly counts from zero to 0FFFFh.
11	Up/down	The timer repeatedly counts from zero up to the value of TACCR0 and back down to zero.

Up Mode

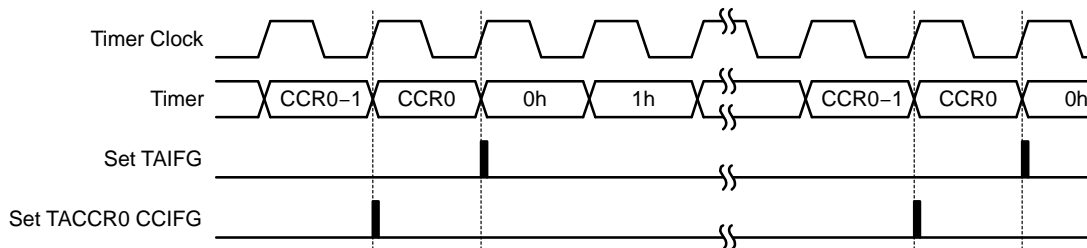
The up mode is used if the timer period must be different from 0FFFFh counts. The timer repeatedly counts up to the value of compare register TACCR0, which defines the period, as shown in Figure 15–2. The number of timer counts in the period is TACCR0+1. When the timer value equals TACCR0 the timer restarts counting from zero. If up mode is selected when the timer value is greater than TACCR0, the timer immediately restarts counting from zero.

Figure 15–2. Up Mode



The TACCR0 CCIFG interrupt flag is set when the timer *counts* to the TACCR0 value. The TAIFG interrupt flag is set when the timer *counts* from TACCR0 to zero. Figure 15–3 shows the flag set cycle.

Figure 15–3. Up Mode Flag Setting



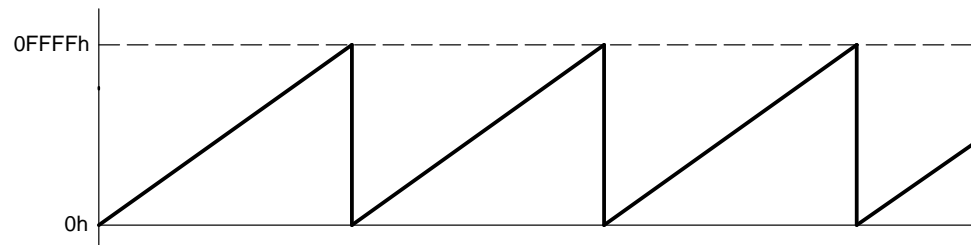
Changing the Period Register TACCR0

When changing TACCR0 while the timer is running, if the new period is greater than or equal to the old period or greater than the current count value, the timer counts up to the new period. If the new period is less than the current count value, the timer rolls to zero. However, one additional count may occur before the counter rolls to zero.

Continuous Mode

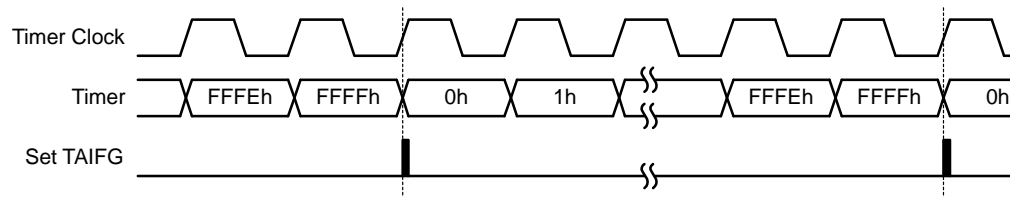
In the continuous mode, the timer repeatedly counts up to 0FFFFh and restarts from zero as shown in Figure 15–4. The capture/compare register TACCR0 works the same way as the other capture/compare registers.

Figure 15–4. Continuous Mode



The TAIFG interrupt flag is set when the timer *counts* from 0FFFFh to zero. Figure 15–5 shows the flag set cycle.

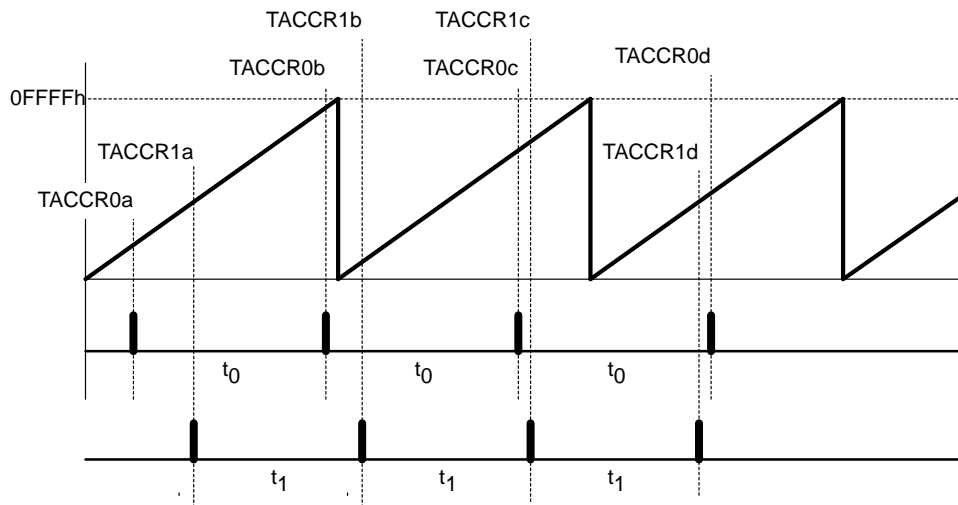
Figure 15–5. Continuous Mode Flag Setting



Use of the Continuous Mode

The continuous mode can be used to generate independent time intervals and output frequencies. Each time an interval is completed, an interrupt is generated. The next time interval is added to the TACCRx register in the interrupt service routine. Figure 15–6 shows two separate time intervals t_0 and t_1 being added to the capture/compare registers. In this usage, the time interval is controlled by hardware, not software, without impact from interrupt latency. Up to three (Timer_A3) or five (Timer_A5) independent time intervals or output frequencies can be generated using capture/compare registers.

Figure 15–6. Continuous Mode Time Intervals

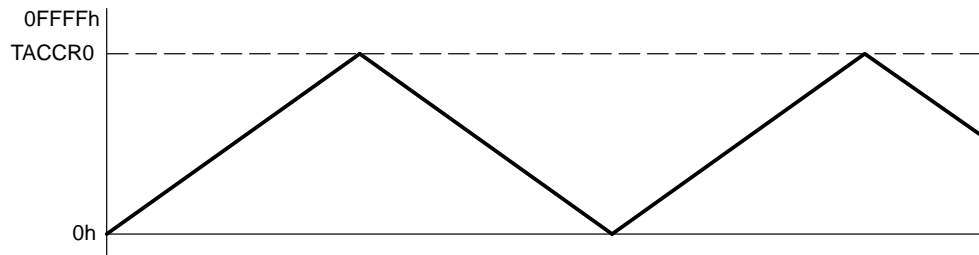


Time intervals can be produced with other modes as well, where TACCR0 is used as the period register. Their handling is more complex since the sum of the old TACCRx data and the new period can be higher than the TACCR0 value. When the previous TACCRx value plus t_x is greater than the TACCR0 data, the TACCR0 value must be subtracted to obtain the correct time interval.

Up/Down Mode

The up/down mode is used if the timer period must be different from 0FFFFh counts, and if symmetrical pulse generation is needed. The timer repeatedly counts up to the value of compare register TACCR0 and back down to zero, as shown in Figure 15–7. The period is twice the value in TACCR0.

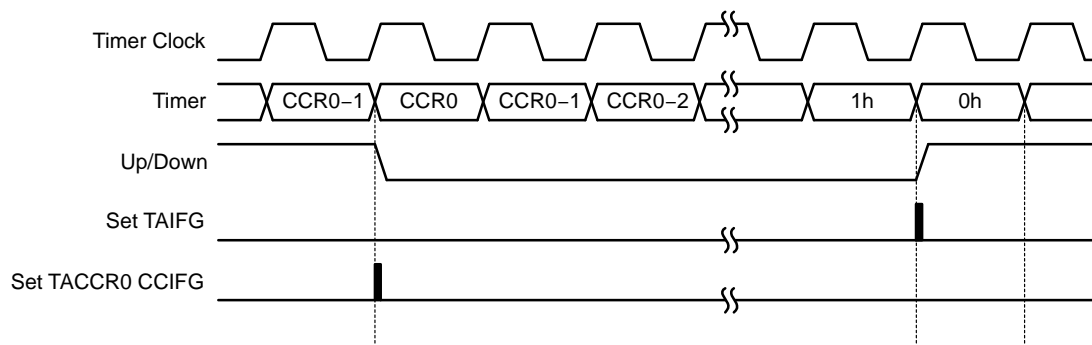
Figure 15–7. Up/Down Mode



The count direction is latched. This allows the timer to be stopped and then restarted in the same direction it was counting before it was stopped. If this is not desired, the TACLR bit must be set to clear the direction. The TACLR bit also clears the TAR value and the clock divider.

In up/down mode, the TACCR0 CCIFG interrupt flag and the TAIFG interrupt flag are set only once during a period, separated by 1/2 the timer period. The TACCR0 CCIFG interrupt flag is set when the timer *counts* from TACCR0 – 1 to TACCR0, and TAIFG is set when the timer completes *counting* down from 0001h to 0000h. Figure 15–8 shows the flag set cycle.

Figure 15–8. Up/Down Mode Flag Setting



Changing the Period Register TACCR0

When changing TACCR0 while the timer is running and counting in the down direction, the timer continues its descent until it reaches zero. The value in TACCR0 is latched into TACL0 immediately; however, the new period takes effect after the counter counts down to zero.

When the timer is counting in the up direction and the new period is greater than or equal to the old period or greater than the current count value, the timer counts up to the new period before counting down. When the timer is counting in the up direction, and the new period is less than the current count value, the timer begins counting down. However, one additional count may occur before the counter begins counting down.

Use of the Up/Down Mode

The up/down mode supports applications that require dead times between output signals (See section *Timer_A Output Unit*). For example, to avoid overload conditions, two outputs driving an H-bridge must never be in a high state simultaneously. In the example shown in Figure 15–9 the t_{dead} is:

$$t_{dead} = t_{timer} \times (TACCR1 - TACCR2)$$

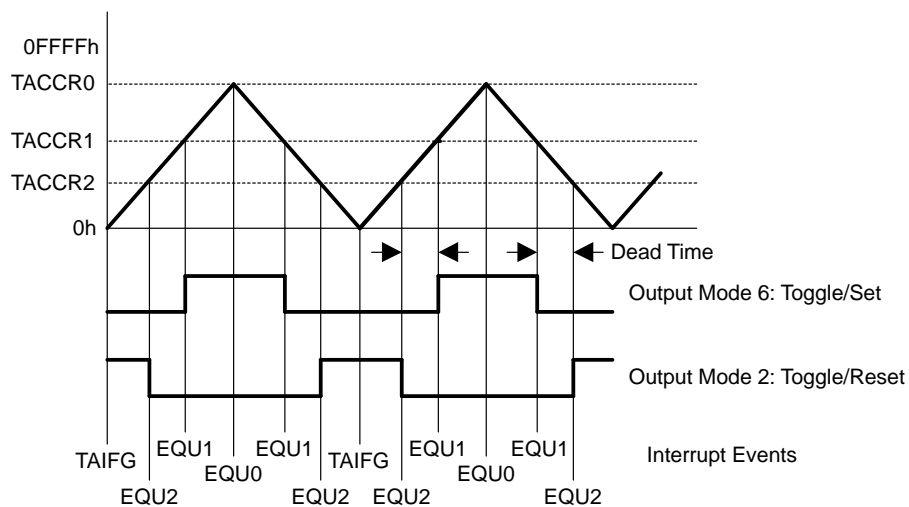
With: t_{dead} Time during which both outputs need to be inactive

t_{timer} Cycle time of the timer clock

TACCRx Content of capture/compare register x

The TACCRx registers are not buffered. They update immediately when written to. Therefore, any required dead time is not maintained automatically.

Figure 15–9. Output Unit in Up/Down Mode



15.2.4 Capture/Compare Blocks

Three or five identical capture/compare blocks, TACCRx, are present in Timer_A. Any of the blocks may be used to capture the timer data or to generate time intervals.

Capture Mode

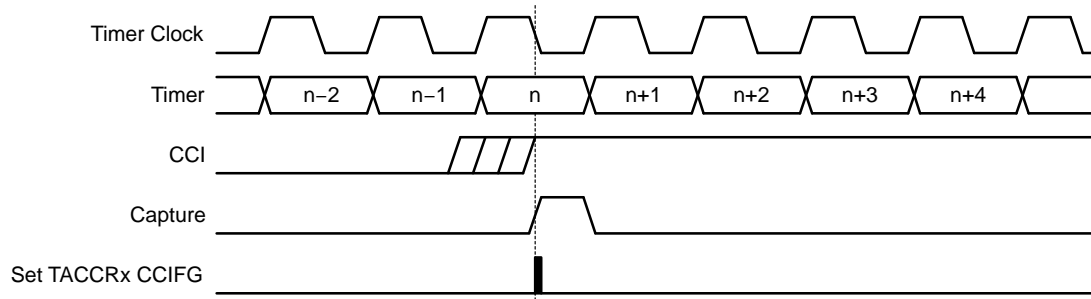
The capture mode is selected when CAP = 1. Capture mode is used to record time events. It can be used for speed computations or time measurements. The capture inputs CCIxA and CCIxB are connected to external pins or internal signals and are selected with the CCISx bits. The CMx bits select the capture edge of the input signal as rising, falling, or both. A capture occurs on the selected edge of the input signal. If a capture occurs:

- The timer value is copied into the TACCRx register
- The interrupt flag CCIFG is set

The input signal level can be read at any time via the CCI bit. MSP430x4xx family devices may have different signals connected to CCIxA and CCIxB. See the device-specific data sheet for the connections of these signals.

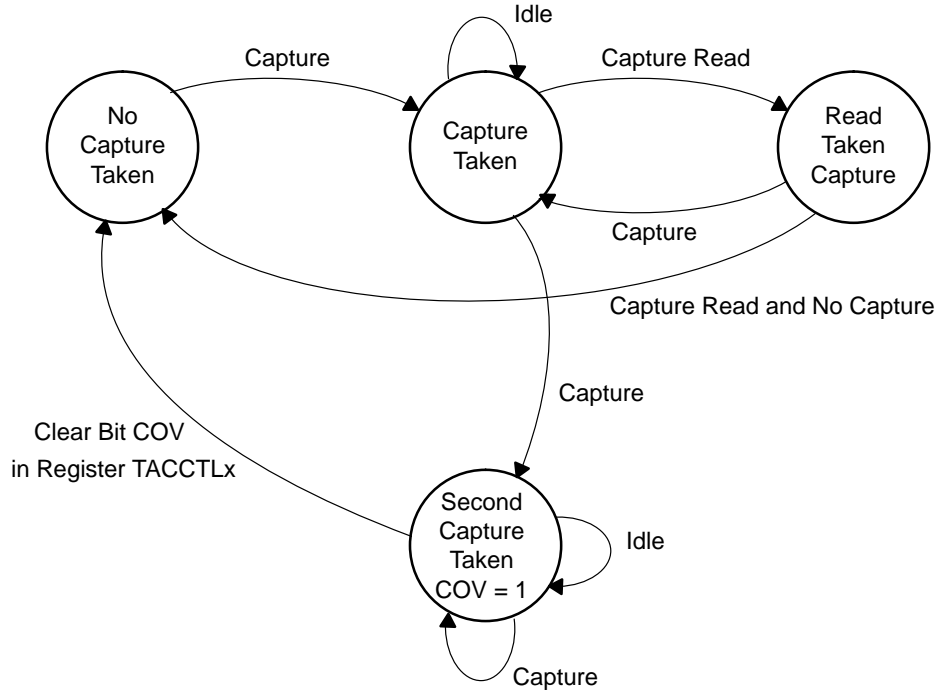
The capture signal can be asynchronous to the timer clock and cause a race condition. Setting the SCS bit synchronizes the capture with the next timer clock. Setting the SCS bit to synchronize the capture signal with the timer clock is recommended. This is illustrated in Figure 15–10.

Figure 15–10. Capture Signal (SCS=1)



Overflow logic is provided in each capture/compare register to indicate if a second capture was performed before the value from the first capture was read. Bit COV is set when this occurs as shown in Figure 15–11. COV must be reset with software.

Figure 15–11. Capture Cycle



Capture Initiated by Software

Captures can be initiated by software. The CMx bits can be set for capture on both edges. Software then sets CCIS1 = 1 and toggles bit CCIS0 to switch the capture signal between V_{CC} and GND, initiating a capture each time CCIS0 changes state:

```

MOV    #CAP+SCS+CCIS1+CM_3,&TACCTLx ; Setup TACCTLx
XOR    #CCIS0,&TACCTLx                ; TACCTLx = TAR
  
```

Compare Mode

The compare mode is selected when CAP = 0. The compare mode is used to generate PWM output signals or interrupts at specific time intervals. When TAR counts to the value in a TACCRx:

- Interrupt flag CCIFG is set
- Internal signal EQUx = 1
- EQUx affects the output according to the output mode
- The input signal CCI is latched into SCCI

15.2.5 Output Unit

Each capture/compare block contains an output unit. The output unit is used to generate output signals such as PWM signals. Each output unit has eight operating modes that generate signals based on the EQU0 and EQUx signals.

Output Modes

The output modes are defined by the OUTMODx bits and are described in Table 15–2. The OUTx signal is changed with the rising edge of the timer clock for all modes except mode 0. Output modes 2, 3, 6, and 7 are not useful for output unit 0, because EQUx = EQU0.

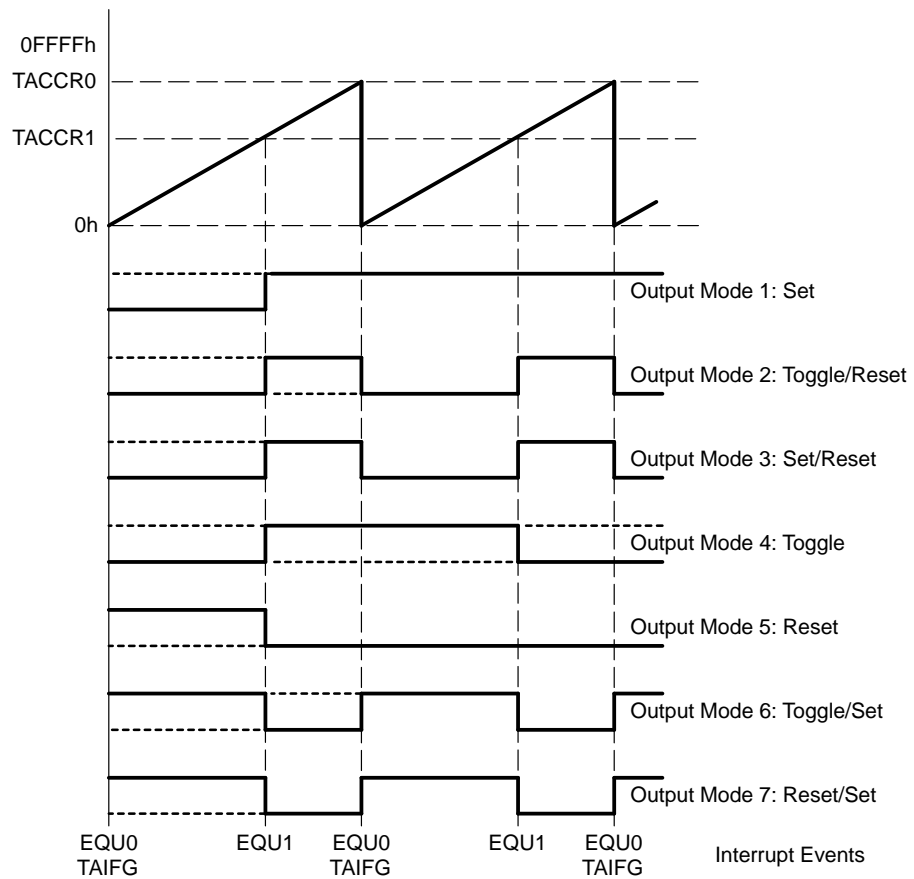
Table 15–2. Output Modes

OUTMODx	Mode	Description
000	Output	The output signal OUTx is defined by the OUTx bit. The OUTx signal updates immediately when OUTx is updated.
001	Set	The output is set when the timer <i>counts</i> to the TACCRx value. It remains set until a reset of the timer, or until another output mode is selected and affects the output.
010	Toggle/Reset	The output is toggled when the timer <i>counts</i> to the TACCRx value. It is reset when the timer <i>counts</i> to the TACCR0 value.
011	Set/Reset	The output is set when the timer <i>counts</i> to the TACCRx value. It is reset when the timer <i>counts</i> to the TACCR0 value.
100	Toggle	The output is toggled when the timer <i>counts</i> to the TACCRx value. The output period is double the timer period.
101	Reset	The output is reset when the timer <i>counts</i> to the TACCRx value. It remains reset until another output mode is selected and affects the output.
110	Toggle/Set	The output is toggled when the timer <i>counts</i> to the TACCRx value. It is set when the timer <i>counts</i> to the TACCR0 value.
111	Reset/Set	The output is reset when the timer <i>counts</i> to the TACCRx value. It is set when the timer <i>counts</i> to the TACCR0 value.

Output Example—Timer in Up Mode

The OUTx signal is changed when the timer *counts* up to the TACCRx value, and rolls from TACCR0 to zero, depending on the output mode. An example is shown in Figure 15–12 using TACCR0 and TACCR1.

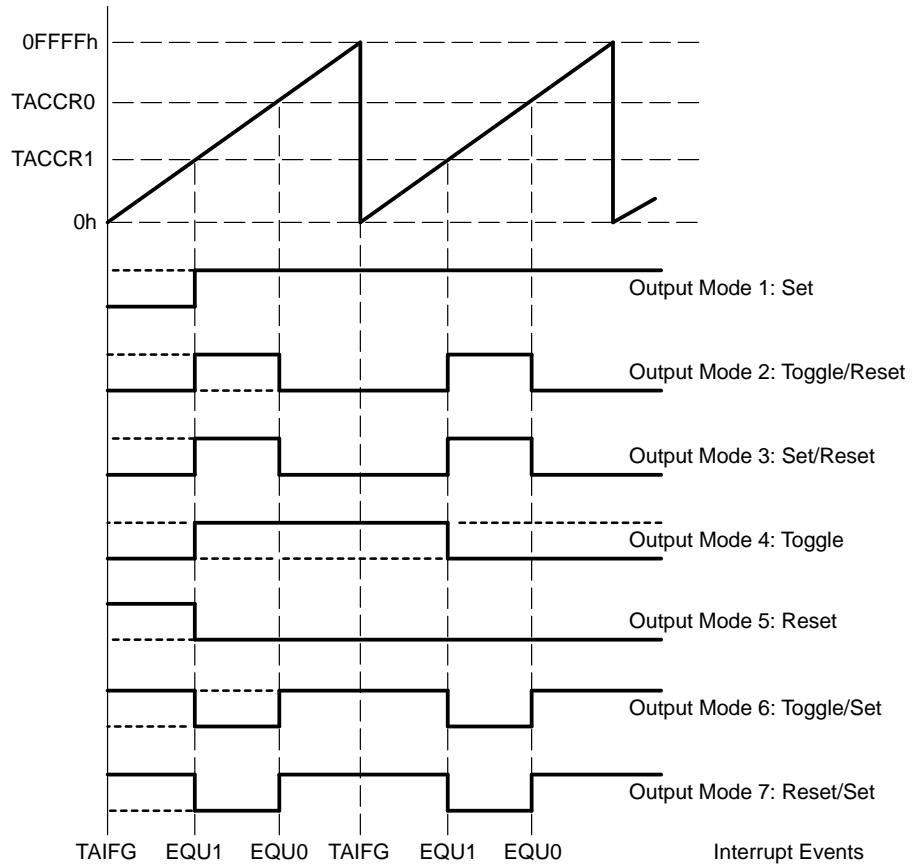
Figure 15–12. Output Example—Timer in Up Mode



Output Example—Timer in Continuous Mode

The OUTx signal is changed when the timer reaches the TACCRx and TACCR0 values, depending on the output mode. An example is shown in Figure 15–13 using TACCR0 and TACCR1.

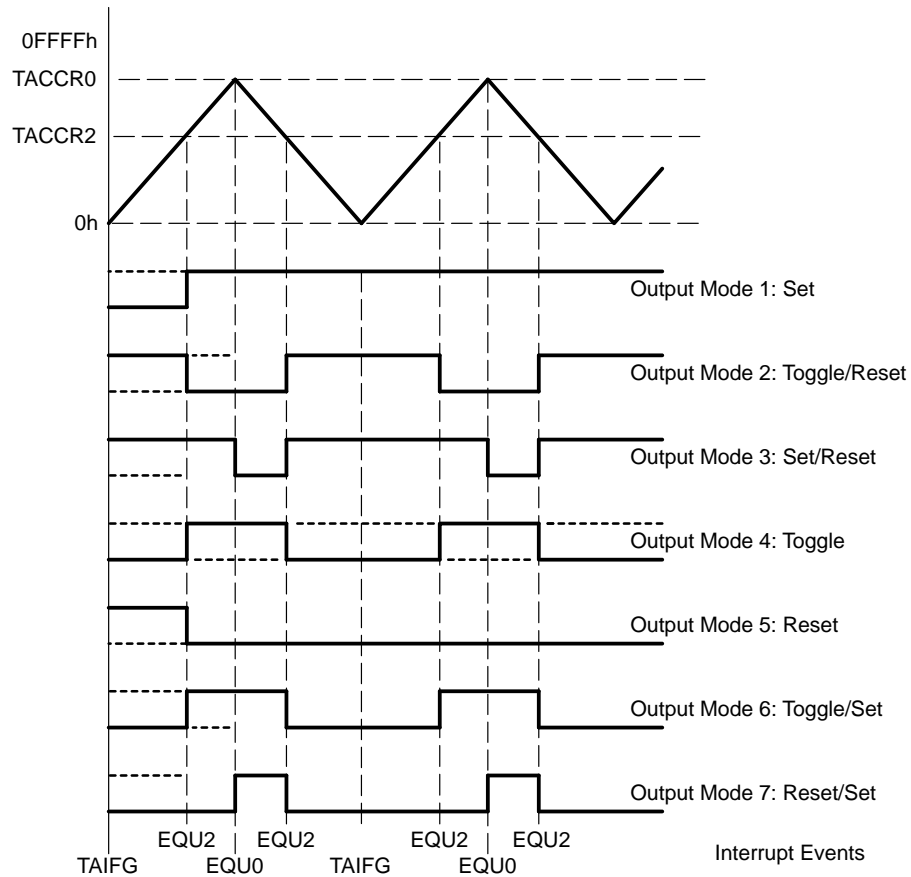
Figure 15–13. Output Example—Timer in Continuous Mode



Output Example—Timer in Up/Down Mode

The OUTx signal changes when the timer equals TACCRx in either count direction and when the timer equals TACCR0, depending on the output mode. An example is shown in Figure 15–14 using TACCR0 and TACCR2.

Figure 15–14. Output Example—Timer in Up/Down Mode



Note: Switching Between Output Modes

When switching between output modes, one of the OUTMODx bits should remain set during the transition, unless switching to mode 0. Otherwise, output glitching can occur because a NOR gate decodes output mode 0. A safe method for switching between output modes is to use output mode 7 as a transition state:

```
BIS #OUTMOD_7,&TACCTLx ; Set output mode=7
BIC #OUTMODx,&TACCTLx ; Clear unwanted bits
```


15.2.6 Timer_A Interrupts

Two interrupt vectors are associated with the 16-bit Timer_A module:

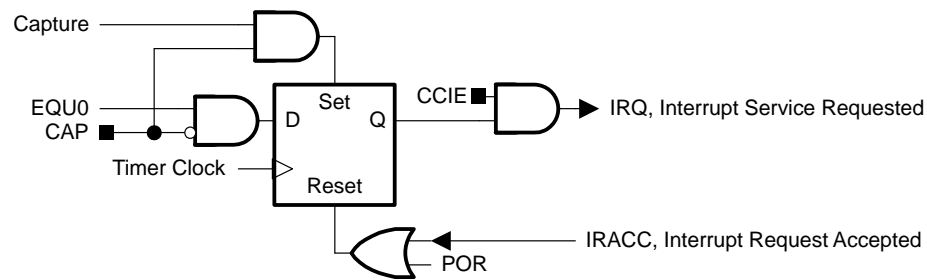
- TACCR0 interrupt vector for TACCR0 CCIFG
- TAIV interrupt vector for all other CCIFG flags and TAIFG

In capture mode any CCIFG flag is set when a timer value is captured in the associated TACCRx register. In compare mode, any CCIFG flag is set if TAR *counts* to the associated TACCRx value. Software may also set or clear any CCIFG flag. All CCIFG flags request an interrupt when their corresponding CCIE bit and the GIE bit are set.

TACCR0 Interrupt

The TACCR0 CCIFG flag has the highest Timer_A interrupt priority and has a dedicated interrupt vector as shown in Figure 15–15. The TACCR0 CCIFG flag is automatically reset when the TACCR0 interrupt request is serviced.

Figure 15–15. Capture/Compare TACCR0 Interrupt Flag



TAIV, Interrupt Vector Generator

The TACCR1 CCIFG, TACCR2 CCIFG, and TAIFG flags are prioritized and combined to source a single interrupt vector. The interrupt vector register TAIV is used to determine which flag requested an interrupt.

The highest priority enabled interrupt generates a number in the TAIV register (see register description). This number can be evaluated or added to the program counter to automatically enter the appropriate software routine. Disabled Timer_A interrupts do not affect the TAIV value.

Any access, read or write, of the TAIV register automatically resets the highest pending interrupt flag. If another interrupt flag is set, another interrupt is immediately generated after servicing the initial interrupt. For example, if the TACCR1 and TACCR2 CCIFG flags are set when the interrupt service routine accesses the TAIV register, TACCR1 CCIFG is reset automatically. After the RETI instruction of the interrupt service routine is executed, the TACCR2 CCIFG flag generates another interrupt.

TAIV Software Example

The following software example shows the recommended use of TAIV and the handling overhead. The TAIV value is added to the PC to automatically jump to the appropriate routine.

The numbers at the right margin show the necessary CPU cycles for each instruction. The software overhead for different interrupt sources includes interrupt latency and return-from-interrupt cycles, but not the task handling itself. The latencies are:

- Capture/compare block TACCR0 11 cycles
- Capture/compare blocks TACCR1, TACCR2 16 cycles
- Timer overflow TAIFG 14 cycles

```

; Interrupt handler for TACCR0 CCIFG.
CCIFG_0_HND
;          ...          ; Start of handler Interrupt latency 6
          RETI          5

; Interrupt handler for TAIFG, TACCR1 and TACCR2 CCIFG.

TA_HND    ...          ; Interrupt latency 6
          ADD    &TAIV,PC ; Add offset to Jump table 3
          RETI          ; Vector 0: No interrupt 5
          JMP    CCIFG_1_HND ; Vector 2: TACCR1 2
          JMP    CCIFG_2_HND ; Vector 4: TACCR2 2
          RETI          ; Vector 6: Reserved 5
          RETI          ; Vector 8: Reserved 5

TAIFG_HND          ; Vector 10: TAIFG Flag
          ...          ; Task starts here
          RETI          5

CCIFG_2_HND          ; Vector 4: TACCR2
          ...          ; Task starts here
          RETI          ; Back to main program 5

CCIFG_1_HND          ; Vector 2: TACCR1
          ...          ; Task starts here
          RETI          ; Back to main program 5

```

15.3 Timer_A Registers

The Timer_A registers are listed in Table 15–3 and Table 15–4.

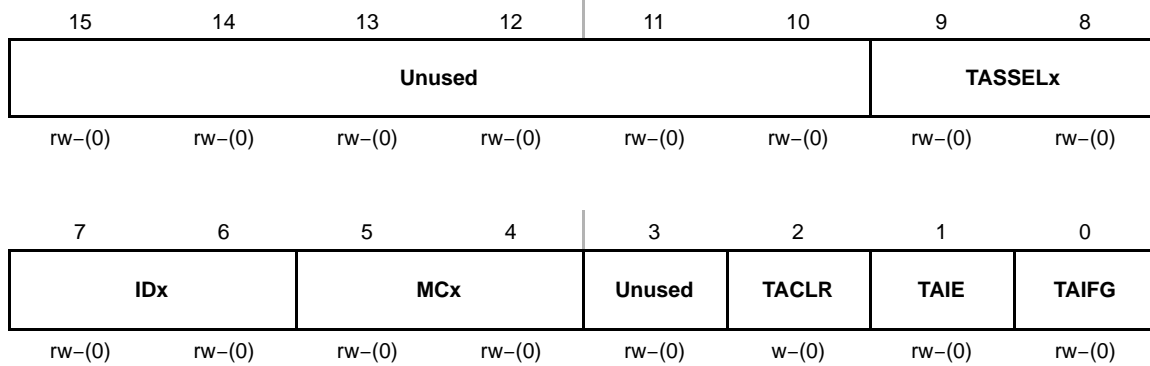
Table 15–3. Timer_A3 Registers

Register	Short Form	Register Type	Address	Initial State
Timer_A control Timer0_A3 Control	TACTL/ TA0CTL	Read/write	0160h	Reset with POR
Timer_A counter Timer0_A3 counter	TAR/ TA0R	Read/write	0170h	Reset with POR
Timer_A capture/compare control 0 Timer0_A3 capture/compare control 0	TACCTL0/ TA0CCTL	Read/write	0162h	Reset with POR
Timer_A capture/compare 0 Timer0_A3 capture/compare 0	TACCR0/ TA0CCR0	Read/write	0172h	Reset with POR
Timer_A capture/compare control 1 Timer0_A3 capture/compare control 1	TACCTL1/ TA0CCTL1	Read/write	0164h	Reset with POR
Timer_A capture/compare 1 Timer0_A3 capture/compare 1	TACCR1/ TA0CCR1	Read/write	0174h	Reset with POR
Timer_A capture/compare control 2 Timer0_A3 capture/compare control 2	TACCTL2/ TA0CCTL2	Read/write	0166h	Reset with POR
Timer_A capture/compare 2 Timer0_A3 capture/compare 2	TACCR2/ TA0CCR2	Read/write	0176h	Reset with POR
Timer_A interrupt vector Timer0_A3 interrupt vector	TAIV/ TA0IV	Read only	012Eh	Reset with POR

Table 15–4. Timer1_A5 Registers

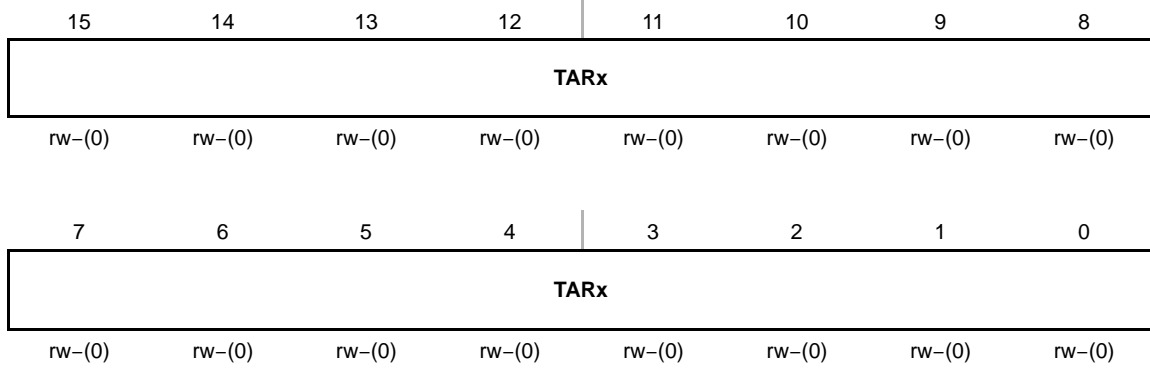
Register	Short Form	Register Type	Address	Initial State
Timer1_A5 control	TA1CTL	Read/write	0180h	Reset with POR
Timer1_A5 counter	TA1R	Read/write	0190h	Reset with POR
Timer1_A5 capture/compare control 0	TA1CCTL0	Read/write	0182h	Reset with POR
Timer1_A5 capture/compare 0	TA1CCR0	Read/write	0192h	Reset with POR
Timer1_A5 capture/compare control 1	TA1CCTL1	Read/write	0184h	Reset with POR
Timer1_A5 capture/compare 1	TA1CCR1	Read/write	0194h	Reset with POR
Timer1_A5 capture/compare control 2	TA1CCTL2	Read/write	0186h	Reset with POR
Timer1_A5 capture/compare 2	TA1CCR2	Read/write	0196h	Reset with POR
Timer1_A5 capture/compare control 3	TA1CCTL3	Read/write	0188h	Reset with POR
Timer1_A5 capture/compare 3	TA1CCR3	Read/write	0198h	Reset with POR
Timer1_A5 capture/compare control 4	TA1CCTL4	Read/write	018Ah	Reset with POR
Timer1_A5 capture/compare 4	TA1CCR4	Read/write	019Ah	Reset with POR
Timer1_A5 interrupt Vector	TA1IV	Read only	011Eh	Reset with POR

TACTL, Timer_A Control Register



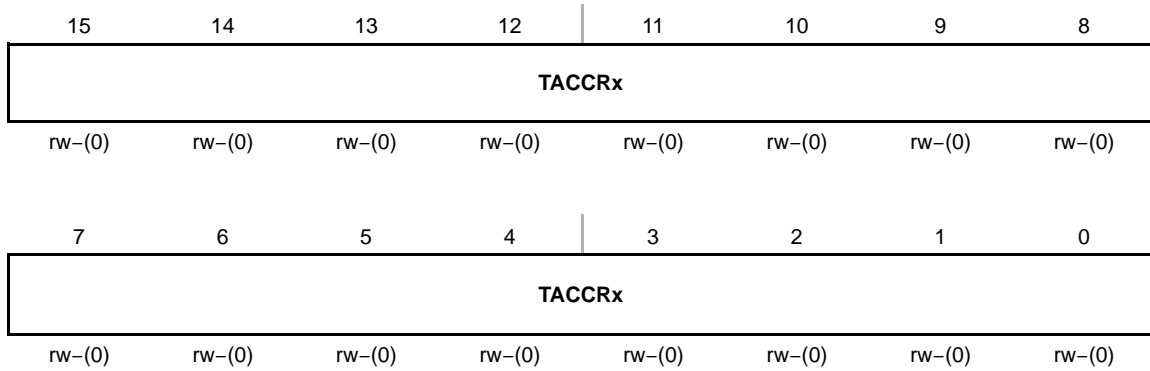
Unused	Bits 15-10	Unused
TASSELx	Bits 9-8	Timer_A clock source select 00 TACLK 01 ACLK 10 SMCLK 11 Inverted TACLK
IDx	Bits 7-6	Input divider. These bits select the divider for the input clock. 00 /1 01 /2 10 /4 11 /8
MCx	Bits 5-4	Mode control. Setting MCx = 00h when Timer_A is not in use conserves power. 00 Stop mode: the timer is halted 01 Up mode: the timer counts up to TACCR0 10 Continuous mode: the timer counts up to 0FFFFh 11 Up/down mode: the timer counts up to TACCR0 then down to 0000h
Unused	Bit 3	Unused
TACLx	Bit 2	Timer_A clear. Setting this bit resets TAR, the clock divider, and the count direction. The TACLx bit is automatically reset and is always read as zero.
TAIE	Bit 1	Timer_A interrupt enable. This bit enables the TAIFG interrupt request. 0 Interrupt disabled 1 Interrupt enabled
TAIFG	Bit 0	Timer_A interrupt flag 0 No interrupt pending 1 Interrupt pending

TAR, Timer_A Register



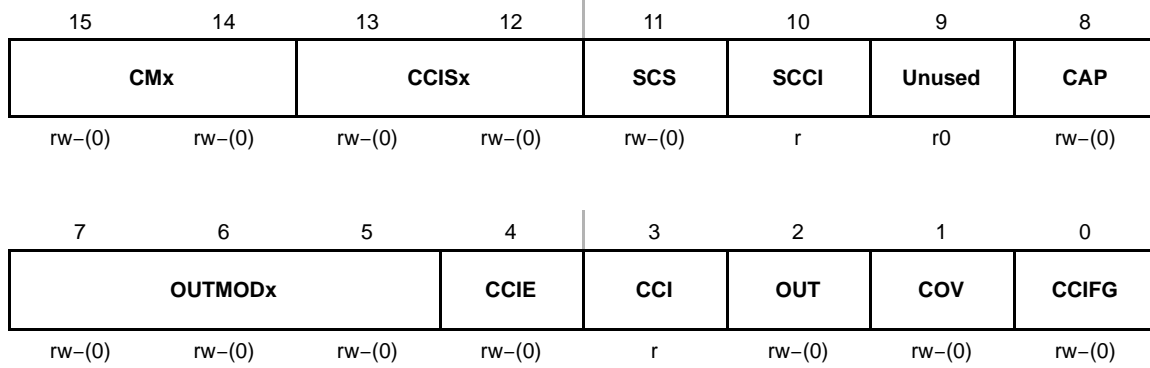
TARx Bits Timer_A register. The TAR register is the count of Timer_A.
 15-0

TACCRx, Timer_A Capture/Compare Register x



TACCRx Bits Timer_A capture/compare register.
 15-0 Compare mode: TACCRx holds the data for the comparison to the timer value in the Timer_A Register, TAR.
 Capture mode: The Timer_A Register, TAR, is copied into the TACCRx register when a capture is performed.

TACCTLx, Capture/Compare Control Register



- CMx** Bit Capture mode

15-14 00 No capture

 01 Capture on rising edge

 10 Capture on falling edge

 11 Capture on both rising and falling edges
- CCISx** Bit Capture/compare input select. These bits select the TACCRx input signal. See the device-specific data sheet for specific signal connections.

13-12 00 CCIxA

 01 CCIxB

 10 GND

 11 V_{CC}
- SCS** Bit 11 Synchronize capture source. This bit is used to synchronize the capture input signal with the timer clock.

 0 Asynchronous capture

 1 Synchronous capture
- SCCI** Bit 10 Synchronized capture/compare input. The selected CCI input signal is latched with the EQUx signal and can be read via this bit.
- Unused** Bit 9 Unused. Read only. Always read as 0.
- CAP** Bit 8 Capture mode

 0 Compare mode

 1 Capture mode
- OUTMODx** Bits Output mode. Modes 2, 3, 6, and 7 are not useful for TACCR0 because EQUx = EQU0.

7-5 000 OUT bit value

 001 Set

 010 Toggle/reset

 011 Set/reset

 100 Toggle

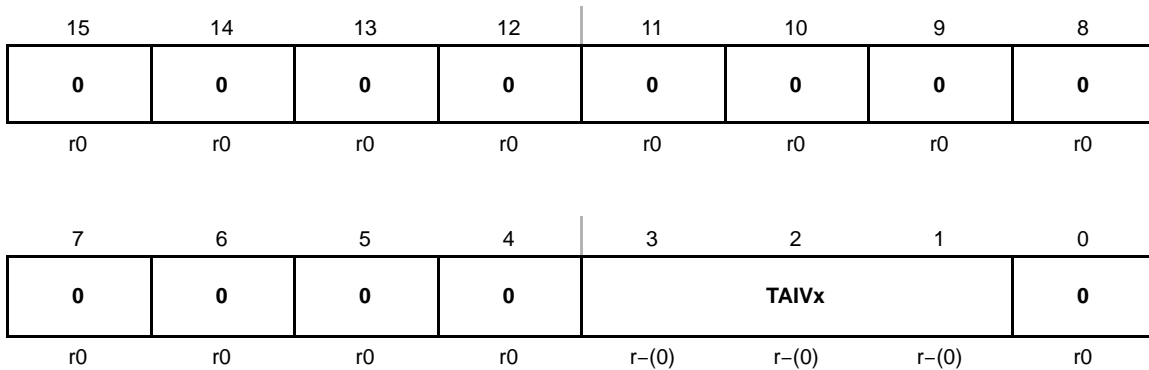
 101 Reset

 110 Toggle/set

 111 Reset/set

CCIE	Bit 4	Capture/compare interrupt enable. This bit enables the interrupt request of the corresponding CCIFG flag. 0 Interrupt disabled 1 Interrupt enabled
CCI	Bit 3	Capture/compare input. The selected input signal can be read by this bit.
OUT	Bit 2	Output. For output mode 0, this bit directly controls the state of the output. 0 Output low 1 Output high
COV	Bit 1	Capture overflow. This bit indicates a capture overflow occurred. COV must be reset with software. 0 No capture overflow occurred 1 Capture overflow occurred
CCIFG	Bit 0	Capture/compare interrupt flag 0 No interrupt pending 1 Interrupt pending

TAIV, Timer_A Interrupt Vector Register



TAIVx Bits 15-0 Timer_A interrupt vector value

TAIV Contents	Interrupt Source	Interrupt Flag	Interrupt Priority
00h	No interrupt pending	–	
02h	Capture/compare 1	TACCR1 CCIFG	Highest
04h	Capture/compare 2	TACCR2 CCIFG	
06h	Capture/compare 3 [†]	TACCR3 CCIFG	
08h	Capture/compare 4 [†]	TACCR4 CCIFG	
0Ah	Timer overflow	TAIFG	
0Ch	Reserved	–	
0Eh	Reserved	–	Lowest

[†] Timer1_A5 only



Timer_B

Timer_B is a 16-bit timer/counter with multiple capture/compare registers. This chapter describes the operation of the Timer_B of the MSP430x4xx device family.

Topic	Page
16.1 Timer_B Introduction	16-2
16.2 Timer_B Operation	16-4
16.3 Timer_B Registers	16-20

16.1 Timer_B Introduction

Timer_B is a 16-bit timer/counter with three or seven capture/compare registers. Timer_B can support multiple capture/compares, PWM outputs, and interval timing. Timer_B also has extensive interrupt capabilities. Interrupts may be generated from the counter on overflow conditions and from each of the capture/compare registers.

Timer_B features include :

- Asynchronous 16-bit timer/counter with four operating modes and four selectable lengths
- Selectable and configurable clock source
- Three or seven configurable capture/compare registers
- Configurable outputs with PWM capability
- Double-buffered compare latches with synchronized loading
- Interrupt vector register for fast decoding of all Timer_B interrupts

The block diagram of Timer_B is shown in Figure 16–1.

Note: Use of the Word *Count*

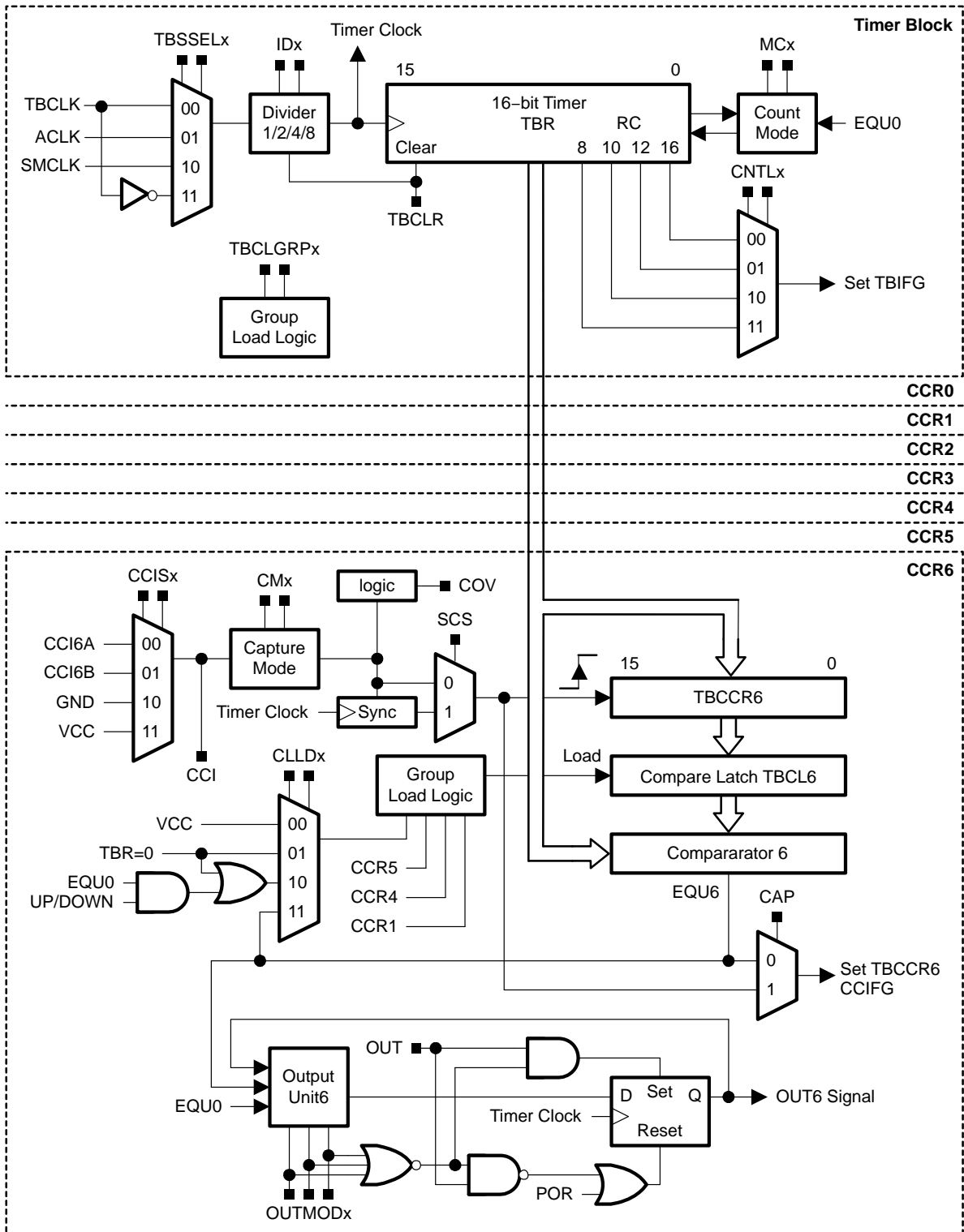
Count is used throughout this chapter. It means the counter must be in the process of counting for the action to take place. If a particular value is directly written to the counter, then an associated action does not take place.

16.1.1 Similarities and Differences From Timer_A

Timer_B is identical to Timer_A with the following exceptions:

- The length of Timer_B is programmable to be 8, 10, 12, or 16 bits.
- Timer_B TBCCRx registers are double-buffered and can be grouped.
- All Timer_B outputs can be put into a high-impedance state.
- The SCCI bit function is not implemented in Timer_B.

Figure 16-1. Timer_B Block Diagram



16.2 Timer_B Operation

The Timer_B module is configured with user software. The setup and operation of Timer_B is discussed in the following sections.

16.2.1 16-Bit Timer Counter

The 16-bit timer/counter register, TBR, increments or decrements (depending on mode of operation) with each rising edge of the clock signal. TBR can be read or written with software. Additionally, the timer can generate an interrupt when it overflows.

TBR may be cleared by setting the TBCLR bit. Setting TBCLR also clears the clock divider and count direction for up/down mode.

Note: Modifying Timer_B Registers

It is recommended to stop the timer before modifying its operation (with exception of the interrupt enable, interrupt flag, and TBCLR) to avoid errant operating conditions.

When the timer clock is asynchronous to the CPU clock, any read from TBR should occur while the timer is not operating, or the results may be unpredictable. Alternatively, the timer may be read multiple times while operating, and a majority vote taken in software to determine the correct reading. Any write to TBR takes effect immediately.

TBR Length

Timer_B is configurable to operate as an 8-, 10-, 12-, or 16-bit timer with the CNTLx bits. The maximum count value, $TBR_{(max)}$, for the selectable lengths is 0FFh, 03FFh, 0FFFh, and 0FFFFh, respectively. Data written to the TBR register in 8-, 10-, and 12-bit modes is right-justified with leading zeros.

Clock Source Select and Divider

The timer clock can be sourced from ACLK, SMCLK, or externally via TBCLK or INCLK. The clock source is selected with the TBSSELx bits. The selected clock source may be passed directly to the timer or divided by 2, 4, or 8 using the IDx bits. The clock divider is reset when TBCLR is set.

16.2.2 Starting the Timer

The timer may be started or restarted in the following ways:

- The timer counts when MCx > 0 and the clock source is active.
- When the timer mode is either up or up/down, the timer may be stopped by loading 0 to TBCL0. The timer may then be restarted by loading a nonzero value to TBCL0. In this scenario, the timer starts incrementing in the up direction from zero.

16.2.3 Timer Mode Control

The timer has four modes of operation as described in Table 16–1: stop, up, continuous, and up/down. The operating mode is selected with the MCx bits.

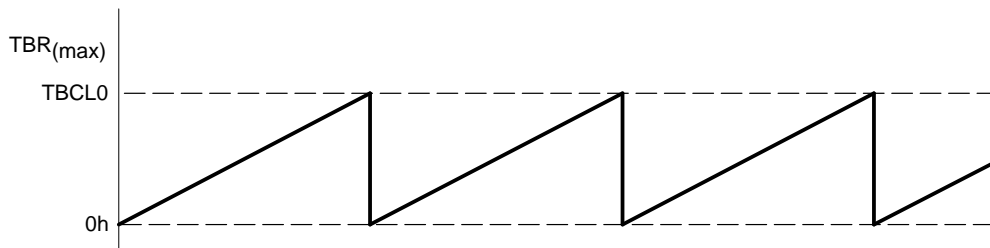
Table 16–1. Timer Modes

MCx	Mode	Description
00	Stop	The timer is halted.
01	Up	The timer repeatedly counts from zero to the value of compare register TBCL0.
10	Continuous	The timer repeatedly counts from zero to the value selected by the CNTLx bits.
11	Up/down	The timer repeatedly counts from zero up to the value of TBCL0 and then back down to zero.

Up Mode

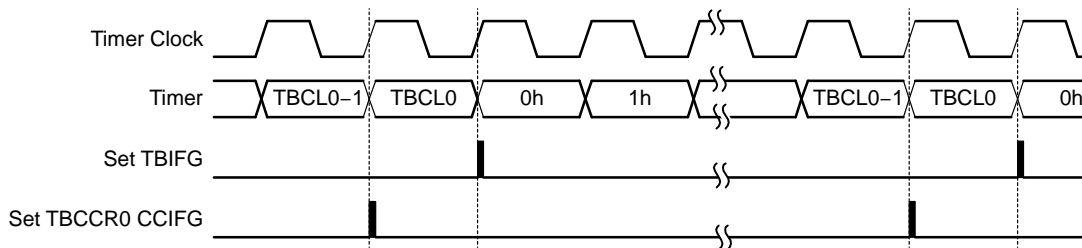
The up mode is used if the timer period must be different from $TBR_{(max)}$ counts. The timer repeatedly counts up to the value of compare latch TBCL0, which defines the period, as shown in Figure 16–2. The number of timer counts in the period is TBCL0+1. When the timer value equals TBCL0 the timer restarts counting from zero. If up mode is selected when the timer value is greater than TBCL0, the timer immediately restarts counting from zero.

Figure 16–2. Up Mode



The TBCCR0 CCIFG interrupt flag is set when the timer *counts* to the TBCL0 value. The TBIFG interrupt flag is set when the timer *counts* from TBCL0 to zero. Figure 15–3 shows the flag set cycle.

Figure 16–3. Up Mode Flag Setting



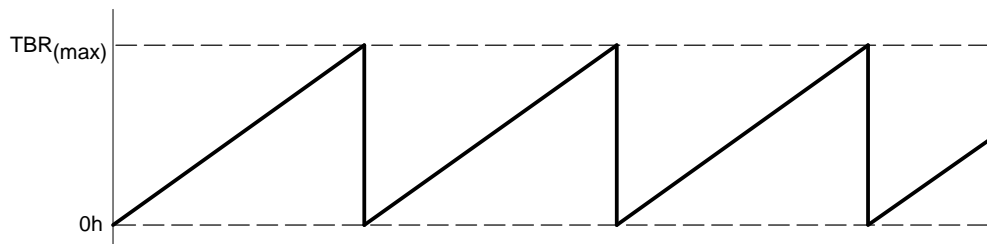
Changing the Period Register TBCL0

When changing TBCL0 while the timer is running and when the TBCL0 load event is *immediate*, CLLD0 = 00, if the new period is greater than or equal to the old period, or greater than the current count value, the timer counts up to the new period. If the new period is less than the current count value, the timer rolls to zero. However, one additional count may occur before the counter rolls to zero.

Continuous Mode

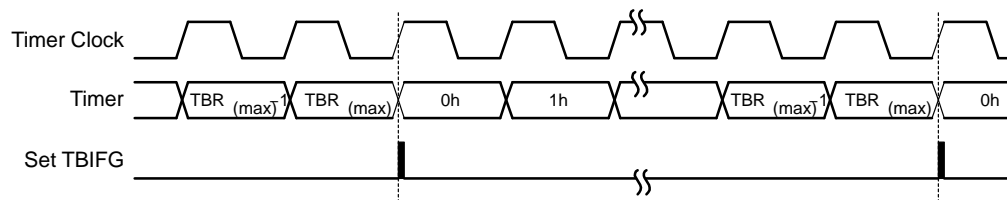
In continuous mode the timer repeatedly counts up to $TBR_{(max)}$ and restarts from zero as shown in Figure 16–4. The compare latch TBCL0 works the same way as the other capture/compare registers.

Figure 16–4. Continuous Mode



The TBIFG interrupt flag is set when the timer *counts* from $TBR_{(max)}$ to zero. Figure 16–5 shows the flag set cycle.

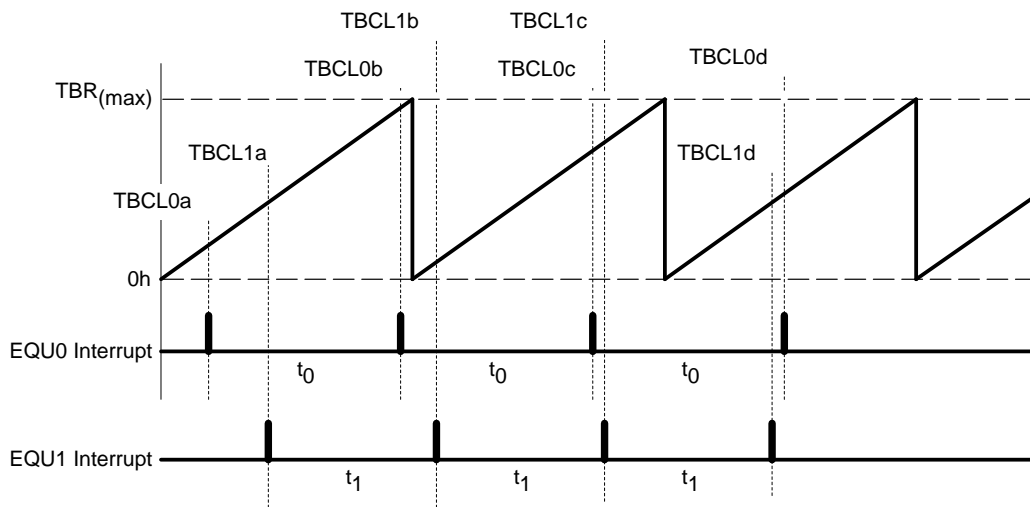
Figure 16–5. Continuous Mode Flag Setting



Use of the Continuous Mode

The continuous mode can be used to generate independent time intervals and output frequencies. Each time an interval is completed, an interrupt is generated. The next time interval is added to the TBCLx latch in the interrupt service routine. Figure 16–6 shows two separate time intervals t_0 and t_1 being added to the capture/compare registers. The time interval is controlled by hardware, not software, without impact from interrupt latency. Up to three (Timer_B3) or 7 (Timer_B7) independent time intervals or output frequencies can be generated using capture/compare registers.

Figure 16–6. Continuous Mode Time Intervals



Time intervals can be produced with other modes as well, where TBCL0 is used as the period register. Their handling is more complex since the sum of the old TBCLx data and the new period can be higher than the TBCL0 value. When the sum of the previous TBCLx value plus t_x is greater than the TBCL0 data, $TBCL0 + 1$ must be subtracted to obtain the correct time interval.

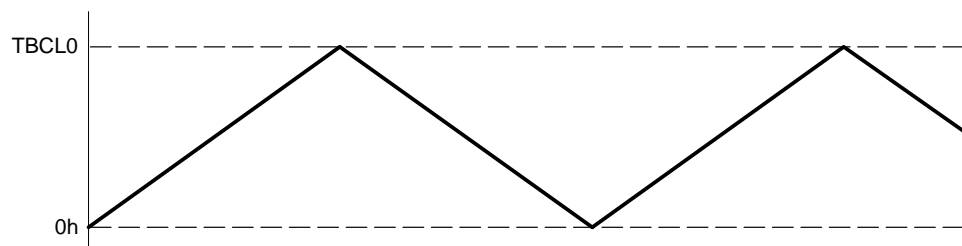
Up/Down Mode

The up/down mode is used if the timer period must be different from $TBR_{(max)}$ counts, and if a symmetrical pulse generation is needed. The timer repeatedly counts up to the value of compare latch TBCL0, and back down to zero, as shown in Figure 16–7. The period is twice the value in TBCL0.

Note: TBCL0 > TBR(max)

If $TBCL0 > TBR_{(max)}$, the counter operates as if it were configured for continuous mode. It does not count down from $TBR_{(max)}$ to zero.

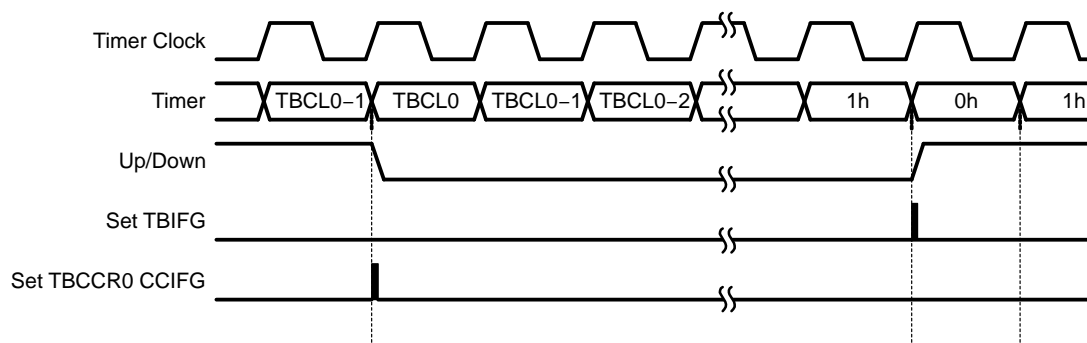
Figure 16–7. Up/Down Mode



The count direction is latched. This allows the timer to be stopped and then restarted in the same direction it was counting before it was stopped. If this is not desired, the TBCLR bit must be used to clear the direction. The TBCLR bit also clears the TBR value and the clock divider.

In up/down mode, the TBCCR0 CCIFG interrupt flag and the TBIFG interrupt flag are set only once during the period, separated by 1/2 the timer period. The TBCCR0 CCIFG interrupt flag is set when the timer counts from $TBCL0-1$ to $TBCL0$, and TBIFG is set when the timer completes counting down from $0001h$ to $0000h$. Figure 16–8 shows the flag set cycle.

Figure 16–8. Up/Down Mode Flag Setting



Changing the Value of Period Register TBCL0

When changing TBCL0 while the timer is running and counting in the down direction, and when the TBCL0 load event is immediate, the timer continues its descent until it reaches zero. The value in TBCCR0 is latched into TBCL0 immediately; however, the new period takes effect after the counter counts down to zero.

If the timer is counting in the up direction when the new period is latched into TBCL0, and the new period is greater than or equal to the old period, or greater than the current count value, the timer counts up to the new period before counting down. When the timer is counting in the up direction, and the new period is less than the current count value when TBCL0 is loaded, the timer begins counting down. However, one additional count may occur before the counter begins counting down.

Use of the Up/Down Mode

The up/down mode supports applications that require dead times between output signals (see section *Timer_B Output Unit*). For example, to avoid overload conditions, two outputs driving an H-bridge must never be in a high state simultaneously. In the example shown in Figure 16–9 the t_{dead} is:

$$t_{dead} = t_{timer} \times (TBCL1 - TBCL3)$$

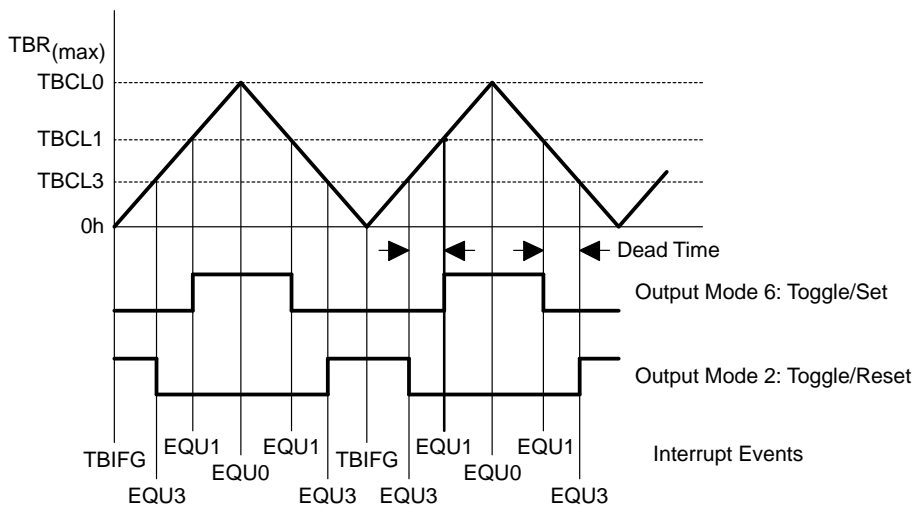
With: t_{dead} Time during which both outputs need to be inactive

t_{timer} Cycle time of the timer clock

TBCLx Content of compare latch x

The ability to simultaneously load grouped compare latches assures the dead times.

Figure 16–9. Output Unit in Up/Down Mode



16.2.4 Capture/Compare Blocks

Three or seven identical capture/compare blocks, TBCCR_x, are present in Timer_B. Any of the blocks may be used to capture the timer data or to generate time intervals.

Capture Mode

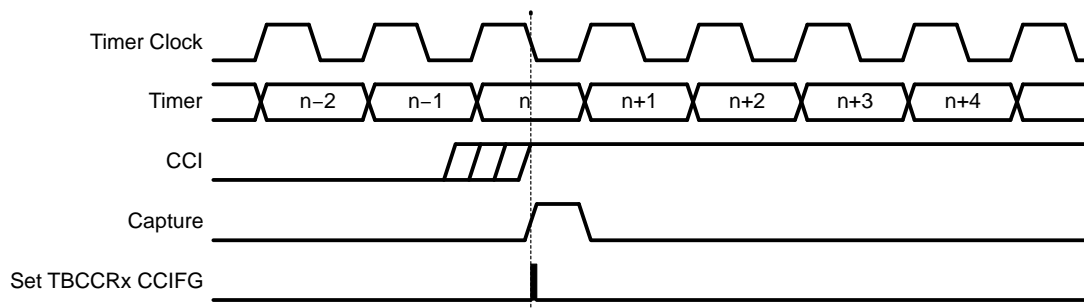
The capture mode is selected when CAP = 1. Capture mode is used to record time events. It can be used for speed computations or time measurements. The capture inputs CCI_xA and CCI_xB are connected to external pins or internal signals and are selected with the CCIS_x bits. The CM_x bits select the capture edge of the input signal as rising, falling, or both. A capture occurs on the selected edge of the input signal. If a capture is performed:

- The timer value is copied into the TBCCR_x register
- The interrupt flag CCIFG is set

The input signal level can be read at any time via the CCI bit. MSP430x4xx family devices may have different signals connected to CCI_xA and CCI_xB. Refer to the device-specific data sheet for the connections of these signals.

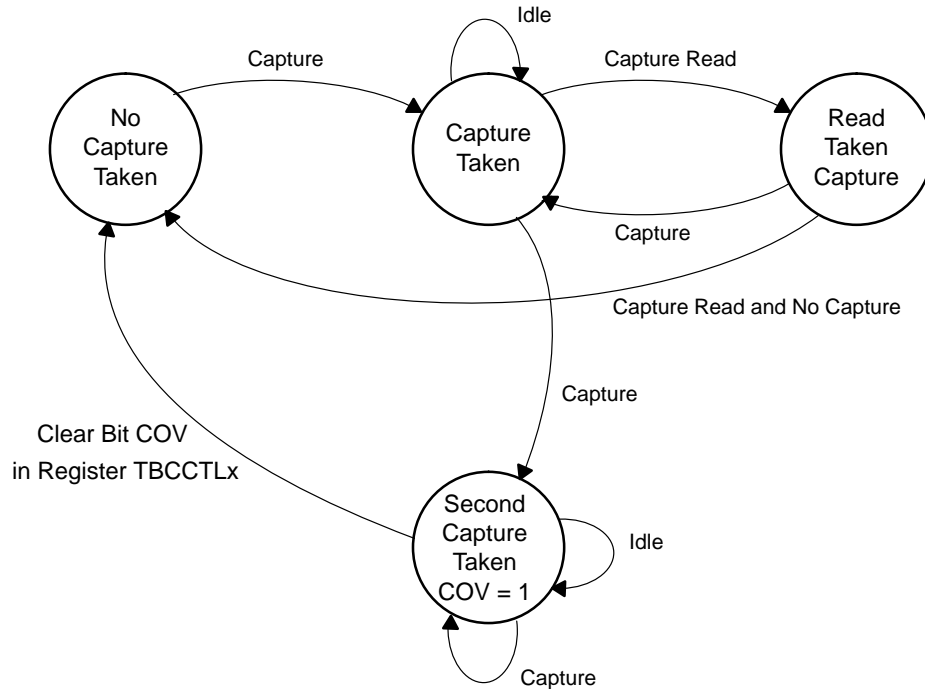
The capture signal can be asynchronous to the timer clock and cause a race condition. Setting the SCS bit synchronizes the capture with the next timer clock. Setting the SCS bit to synchronize the capture signal with the timer clock is recommended. This is illustrated in Figure 16–10.

Figure 16–10. Capture Signal (SCS = 1)



Overflow logic is provided in each capture/compare register to indicate if a second capture was performed before the value from the first capture was read. Bit COV is set when this occurs as shown in Figure 16–11. COV must be reset with software.

Figure 16–11. Capture Cycle



Capture Initiated by Software

Captures can be initiated by software. The CMx bits can be set for capture on both edges. Software then sets bit CCIS1 = 1 and toggles bit CCIS0 to switch the capture signal between V_{CC} and GND, initiating a capture each time CCIS0 changes state:

```

MOV    #CAP+SCS+CCIS1+CM_3,&TBCCTLx ; Setup TBCCTLx
XOR    #CCIS0,&TBCCTLx                ; TBCCTLx = TBR
  
```

Compare Mode

The compare mode is selected when CAP = 0. Compare mode is used to generate PWM output signals or interrupts at specific time intervals. When TBR counts to the value in a TBCLx:

- Interrupt flag CCIFG is set
- Internal signal EQUx = 1
- EQUx affects the output according to the output mode

Compare Latch TBCLx

The TBCCR_x compare latch, TBCL_x, holds the data for the comparison to the timer value in compare mode. TBCL_x is buffered by TBCCR_x. The buffered compare latch gives the user control over when a compare period updates. The user cannot directly access TBCL_x. Compare data is written to each TBCCR_x and automatically transferred to TBCL_x. The timing of the transfer from TBCCR_x to TBCL_x is user-selectable with the CLLD_x bits as described in Table 16–2.

Table 16–2. TBCL_x Load Events

CLLD _x	Description
00	New data is transferred from TBCCR _x to TBCL _x immediately when TBCCR _x is written to.
01	New data is transferred from TBCCR _x to TBCL _x when TBR <i>counts</i> to 0
10	New data is transferred from TBCCR _x to TBCL _x when TBR <i>counts</i> to 0 for up and continuous modes. New data is transferred to from TBCCR _x to TBCL _x when TBR <i>counts</i> to the old TBCL ₀ value or to 0 for up/down mode
11	New data is transferred from TBCCR _x to TBCL _x when TBR <i>counts</i> to the old TBCL _x value.

Grouping Compare Latches

Multiple compare latches may be grouped together for simultaneous updates with the TBCLGRP_x bits. When using groups, the CLLD_x bits of the lowest numbered TBCCR_x in the group determine the load event for each compare latch of the group, except when TBCLGRP = 3, as shown in Table 16–3. The CLLD_x bits of the controlling TBCCR_x must not be set to zero. When the CLLD_x bits of the controlling TBCCR_x are set to zero, all compare latches update immediately when their corresponding TBCCR_x is written; no compare latches are grouped.

Two conditions must exist for the compare latches to be loaded when grouped. First, all TBCCR_x registers of the group must be updated, even when new TBCCR_x data equals old TBCCR_x data. Second, the load event must occur.

Table 16–3. Compare Latch Operating Modes

TBCLGRP _x	Grouping	Update Control
00	None	Individual
01	TBCL1+TBCL2 TBCL3+TBCL4 TBCL5+TBCL6	TBCCR1 TBCCR3 TBCCR5
10	TBCL1+TBCL2+TBCL3 TBCL4+TBCL5+TBCL6	TBCCR1 TBCCR4
11	TBCL0+TBCL1+TBCL2+ TBCL3+TBCL4+TBCL5+TBCL6	TBCCR1

16.2.5 Output Unit

Each capture/compare block contains an output unit. The output unit is used to generate output signals such as PWM signals. Each output unit has eight operating modes that generate signals based on the EQU0 and EQUx signals. The TBOUTH pin function can be used to put all Timer_B outputs into a high-impedance state. When the TBOUTH pin function is selected for the pin, and when the pin is pulled high, all Timer_B outputs are in a high-impedance state.

Output Modes

The output modes are defined by the OUTMODx bits and are described in Table 16–4. The OUTx signal is changed with the rising edge of the timer clock for all modes except mode 0. Output modes 2, 3, 6, and 7 are not useful for output unit 0, because EQUx = EQU0.

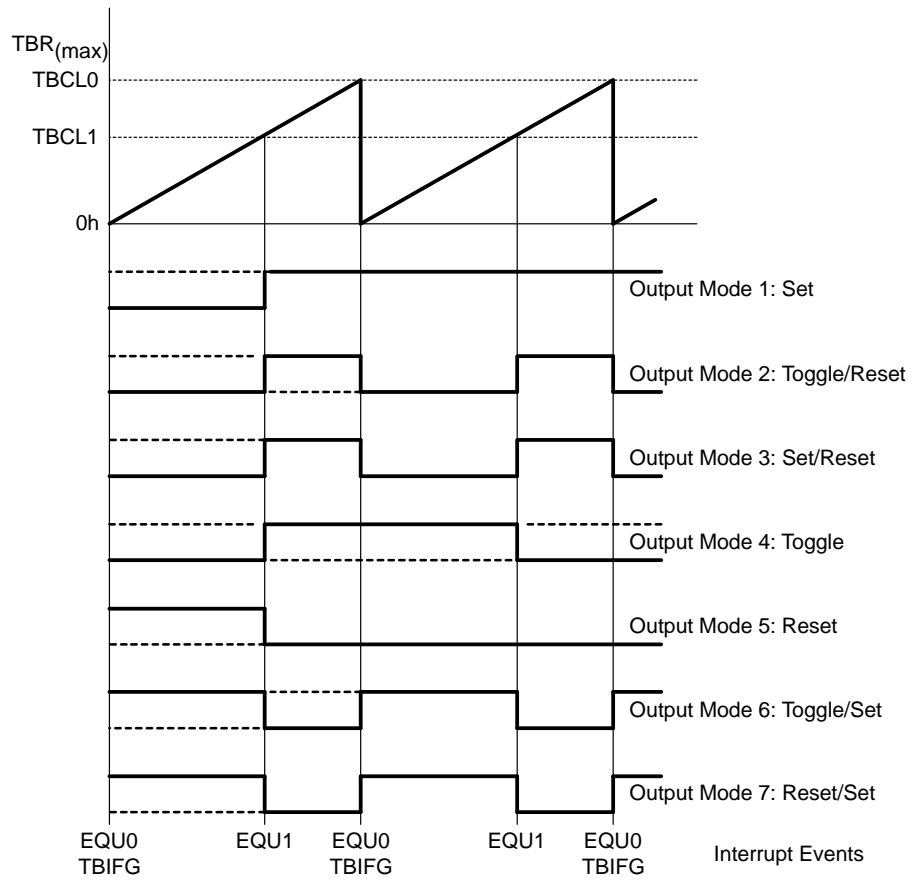
Table 16–4. Output Modes

OUTMODx	Mode	Description
000	Output	The output signal OUTx is defined by the OUTx bit. The OUTx signal updates immediately when OUTx is updated.
001	Set	The output is set when the timer <i>counts</i> to the TBCLx value. It remains set until a reset of the timer, or until another output mode is selected and affects the output.
010	Toggle/Reset	The output is toggled when the timer <i>counts</i> to the TBCLx value. It is reset when the timer <i>counts</i> to the TBCL0 value.
011	Set/Reset	The output is set when the timer <i>counts</i> to the TBCLx value. It is reset when the timer <i>counts</i> to the TBCL0 value.
100	Toggle	The output is toggled when the timer <i>counts</i> to the TBCLx value. The output period is double the timer period.
101	Reset	The output is reset when the timer <i>counts</i> to the TBCLx value. It remains reset until another output mode is selected and affects the output.
110	Toggle/Set	The output is toggled when the timer <i>counts</i> to the TBCLx value. It is set when the timer <i>counts</i> to the TBCL0 value.
111	Reset/Set	The output is reset when the timer <i>counts</i> to the TBCLx value. It is set when the timer <i>counts</i> to the TBCL0 value.

Output Example—Timer in Up Mode

The OUTx signal is changed when the timer *counts* up to the TBCLx value, and rolls from TBCL0 to zero, depending on the output mode. An example is shown in Figure 16–12 using TBCL0 and TBCL1.

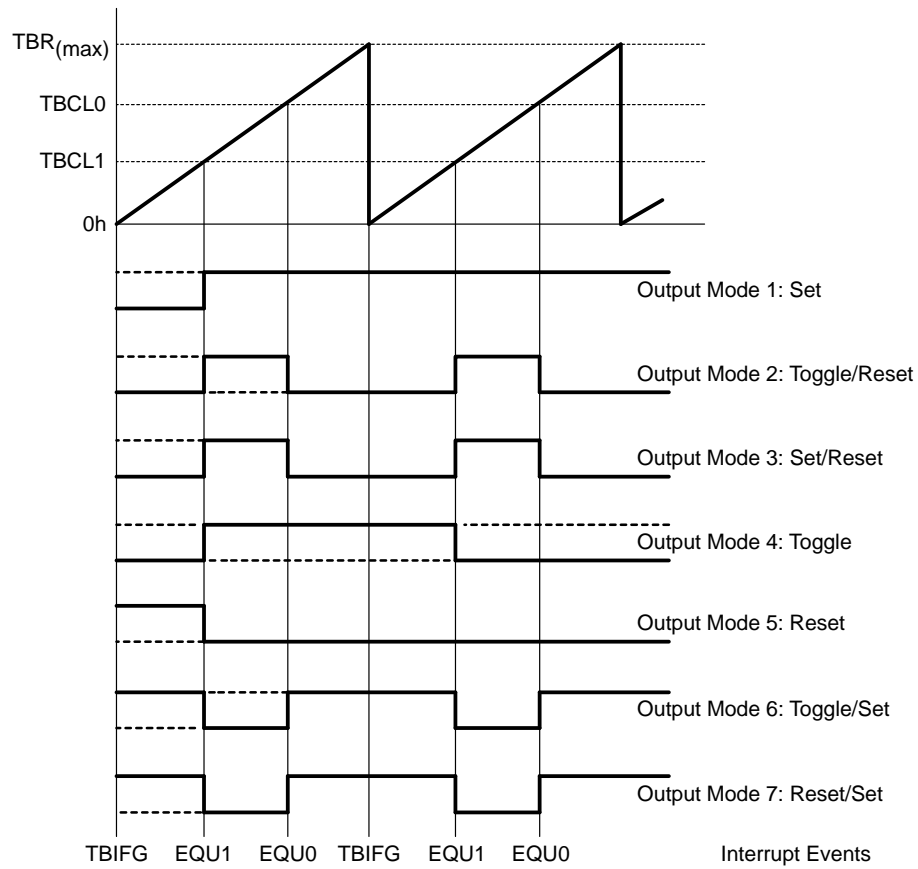
Figure 16–12. Output Example—Timer in Up Mode



Output Example—Timer in Continuous Mode

The OUTx signal is changed when the timer reaches the TBCLx and TBCL0 values, depending on the output mode. An example is shown in Figure 16–13 using TBCL0 and TBCL1.

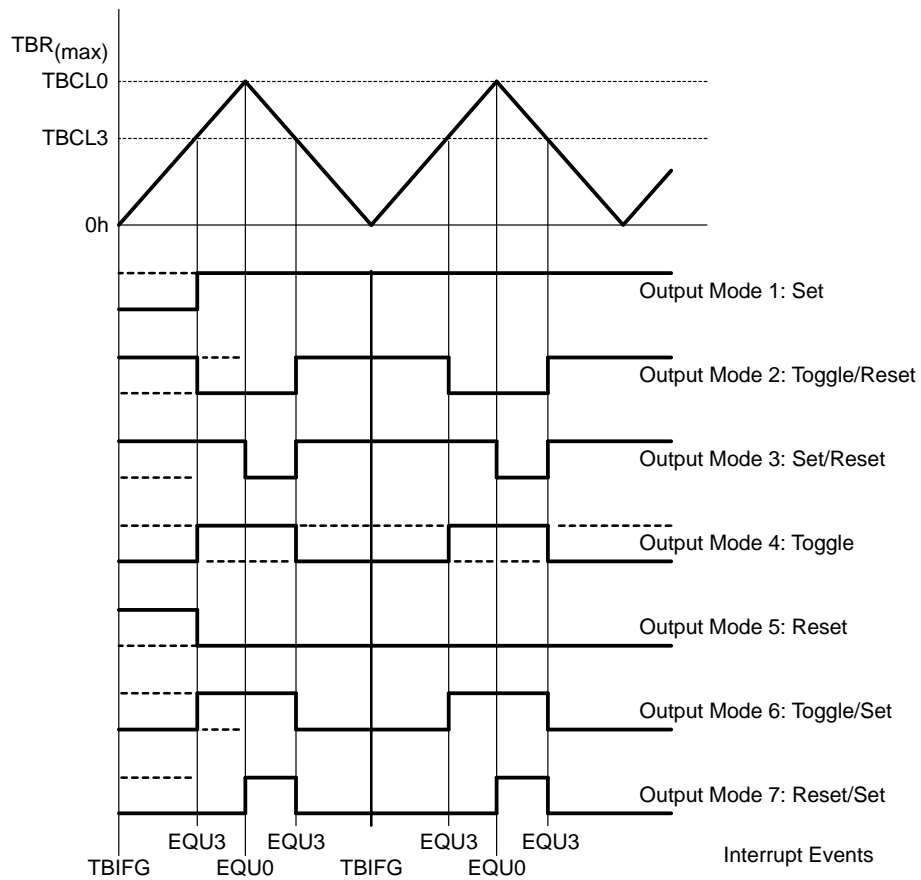
Figure 16–13. Output Example—Timer in Continuous Mode



Output Example – Timer in Up/Down Mode

The OUTx signal changes when the timer equals TBCLx in either count direction and when the timer equals TBCL0, depending on the output mode. An example is shown in Figure 16–14 using TBCL0 and TBCL3.

Figure 16–14. Output Example—Timer in Up/Down Mode



Note: Switching Between Output Modes

When switching between output modes, one of the OUTMODx bits should remain set during the transition, unless switching to mode 0. Otherwise, output glitching can occur because a NOR gate decodes output mode 0. A safe method for switching between output modes is to use output mode 7 as a transition state:

```
BIS    #OUTMOD_7,&TBCCTLx ; Set output mode=7
BIC    #OUTMODx,&TBCCTLx ; Clear unwanted bits
```

16.2.6 Timer_B Interrupts

Two interrupt vectors are associated with the 16-bit Timer_B module:

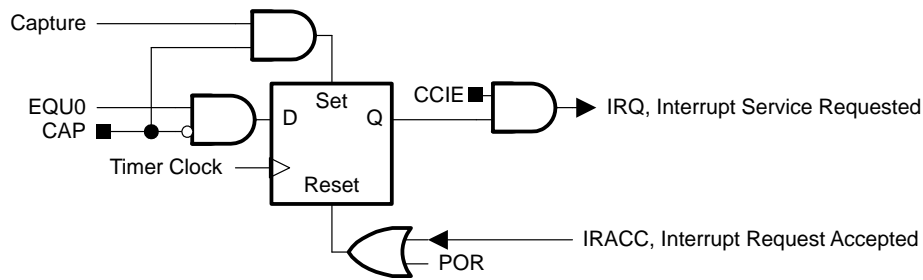
- TBCCR0 interrupt vector for TBCCR0 CCIFG
- TBIV interrupt vector for all other CCIFG flags and TBIFG

In capture mode, any CCIFG flag is set when a timer value is captured in the associated TBCCR_x register. In compare mode, any CCIFG flag is set when TBR *counts* to the associated TBCL_x value. Software may also set or clear any CCIFG flag. All CCIFG flags request an interrupt when their corresponding CCIE bit and the GIE bit are set.

TBCCR0 Interrupt Vector

The TBCCR0 CCIFG flag has the highest Timer_B interrupt priority and has a dedicated interrupt vector as shown in Figure 16–15. The TBCCR0 CCIFG flag is automatically reset when the TBCCR0 interrupt request is serviced.

Figure 16–15. Capture/Compare TBCCR0 Interrupt Flag



TBIV, Interrupt Vector Generator

The TBIFG flag and TBCCR_x CCIFG flags (excluding TBCCR0 CCIFG) are prioritized and combined to source a single interrupt vector. The interrupt vector register TBIV is used to determine which flag requested an interrupt.

The highest priority enabled interrupt (excluding TBCCR0 CCIFG) generates a number in the TBIV register (see register description). This number can be evaluated or added to the program counter to automatically enter the appropriate software routine. Disabled Timer_B interrupts do not affect the TBIV value.

Any access, read or write, of the TBIV register automatically resets the highest pending interrupt flag. If another interrupt flag is set, another interrupt is immediately generated after servicing the initial interrupt. For example, if the TBCCR1 and TBCCR2 CCIFG flags are set when the interrupt service routine accesses the TBIV register, TBCCR1 CCIFG is reset automatically. After the RETI instruction of the interrupt service routine is executed, the TBCCR2 CCIFG flag generates another interrupt.

TBIV, Interrupt Handler Examples

The following software example shows the recommended use of TBIV and the handling overhead. The TBIV value is added to the PC to automatically jump to the appropriate routine.

The numbers at the right margin show the necessary CPU clock cycles for each instruction. The software overhead for different interrupt sources includes interrupt latency and return-from-interrupt cycles, but not the task handling itself. The latencies are:

<input type="checkbox"/> Capture/compare block CCR0	11 cycles
<input type="checkbox"/> Capture/compare blocks CCR1 to CCR6	16 cycles
<input type="checkbox"/> Timer overflow TBIFG	14 cycles

The following software example shows the recommended use of TBIV for Timer_B3.

```

; Interrupt handler for TBCCR0 CCIFG.                                Cycles
CCIFG_0_HND
...                ; Start of handler Interrupt latency 6
RETI                5

; Interrupt handler for TBIFG, TBCCR1 and TBCCR2 CCIFG.
TB_HND  ...                ; Interrupt latency 6
ADD    &TBIV,PC    ; Add offset to Jump table 3
RETI                ; Vector 0: No interrupt 5
JMP    CCIFG_1_HND ; Vector 2: Module 1 2
JMP    CCIFG_2_HND ; Vector 4: Module 2 2
RETI                ; Vector 6
RETI                ; Vector 8
RETI                ; Vector 10
RETI                ; Vector 12

TBIFG_HND                ; Vector 14: TIMOV Flag
...                ; Task starts here
RETI                5

CCIFG_2_HND                ; Vector 4: Module 2
...                ; Task starts here
RETI                ; Back to main program 5

; The Module 1 handler shows a way to look if any other
; interrupt is pending: 5 cycles have to be spent, but
; 9 cycles may be saved if another interrupt is pending
CCIFG_1_HND                ; Vector 6: Module 3
...                ; Task starts here
JMP    TB_HND            ; Look for pending ints 2

```

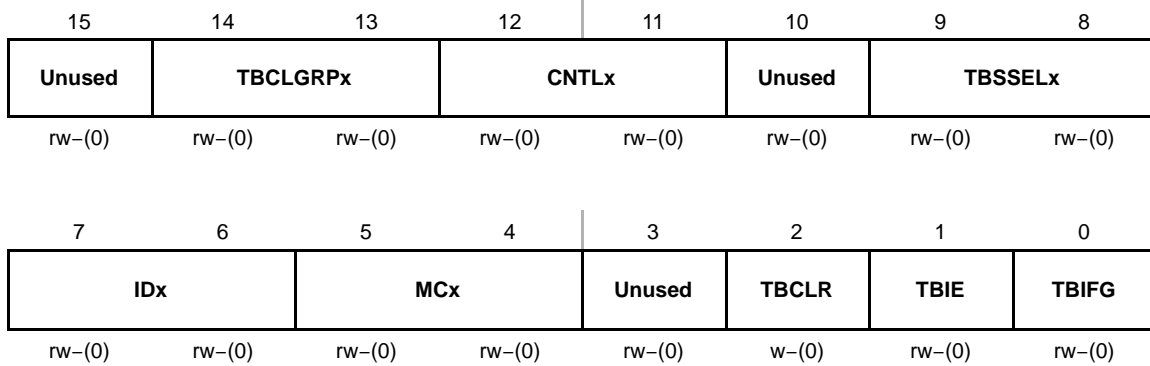
16.3 Timer_B Registers

The Timer_B registers are listed in Table 16–5.

Table 16–5. Timer_B Registers

Register	Short Form	Register Type	Address	Initial State
Timer_B control	TBCTL	Read/write	0180h	Reset with POR
Timer_B counter	TBR	Read/write	0190h	Reset with POR
Timer_B capture/compare control 0	TBCCTL0	Read/write	0182h	Reset with POR
Timer_B capture/compare 0	TBCCR0	Read/write	0192h	Reset with POR
Timer_B capture/compare control 1	TBCCTL1	Read/write	0184h	Reset with POR
Timer_B capture/compare 1	TBCCR1	Read/write	0194h	Reset with POR
Timer_B capture/compare control 2	TBCCTL2	Read/write	0186h	Reset with POR
Timer_B capture/compare 2	TBCCR2	Read/write	0196h	Reset with POR
Timer_B capture/compare control 3	TBCCTL3	Read/write	0188h	Reset with POR
Timer_B capture/compare 3	TBCCR3	Read/write	0198h	Reset with POR
Timer_B capture/compare control 4	TBCCTL4	Read/write	018Ah	Reset with POR
Timer_B capture/compare 4	TBCCR4	Read/write	019Ah	Reset with POR
Timer_B capture/compare control 5	TBCCTL5	Read/write	018Ch	Reset with POR
Timer_B capture/compare 5	TBCCR5	Read/write	019Ch	Reset with POR
Timer_B capture/compare control 6	TBCCTL6	Read/write	018Eh	Reset with POR
Timer_B capture/compare 6	TBCCR6	Read/write	019Eh	Reset with POR
Timer_B Interrupt Vector	TBIV	Read only	011Eh	Reset with POR

Timer_B Control Register TBCTL

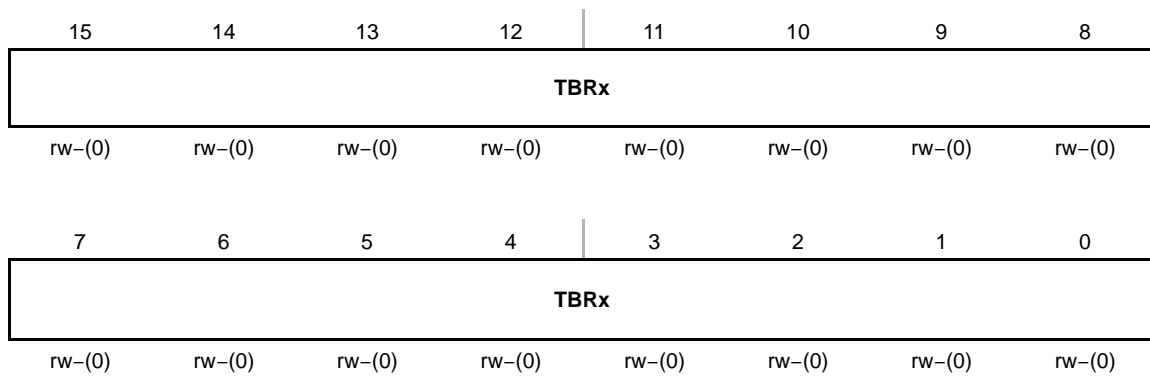


- Unused** Bit 15 Unused
- TBCLGRP** Bit TBCL_x group
 - 14-13 00 Each TBCL_x latch loads independently
 - 01 TBCL₁+TBCL₂ (TBCCR1 CLLD_x bits control the update)
 - 01 TBCL₃+TBCL₄ (TBCCR3 CLLD_x bits control the update)
 - 01 TBCL₅+TBCL₆ (TBCCR5 CLLD_x bits control the update)
 - 01 TBCL₀ independent
 - 10 TBCL₁+TBCL₂+TBCL₃ (TBCCR1 CLLD_x bits control the update)
 - 10 TBCL₄+TBCL₅+TBCL₆ (TBCCR4 CLLD_x bits control the update)
 - 10 TBCL₀ independent
 - 11 TBCL₀+TBCL₁+TBCL₂+TBCL₃+TBCL₄+TBCL₅+TBCL₆
 - 11 (TBCCR1 CLLD_x bits control the update)
- CNTL_x** Bits Counter length
 - 12-11 00 16-bit, TBR_(max) = 0FFFFh
 - 01 12-bit, TBR_(max) = 0FFFh
 - 10 10-bit, TBR_(max) = 03FFh
 - 11 8-bit, TBR_(max) = 0FFh
- Unused** Bit 10 Unused
- TBSEL_x** Bits Timer_B clock source select
 - 9-8 00 TBCLK
 - 01 ACLK
 - 10 SMCLK
 - 11 Inverted TBCLK
- ID_x** Bits Input divider. These bits select the divider for the input clock.
 - 7-6 00 /1
 - 01 /2
 - 10 /4
 - 11 /8
- MC_x** Bits Mode control. Setting MC_x = 00h when Timer_B is not in use conserves power.
 - 5-4 00 Stop mode: the timer is halted
 - 01 Up mode: the timer counts up to TBCL₀
 - 10 Continuous mode: the timer counts up to the value set by TBCNTL_x
 - 11 Up/down mode: the timer counts up to TBCL₀ and down to 0000h

Timer_B Registers

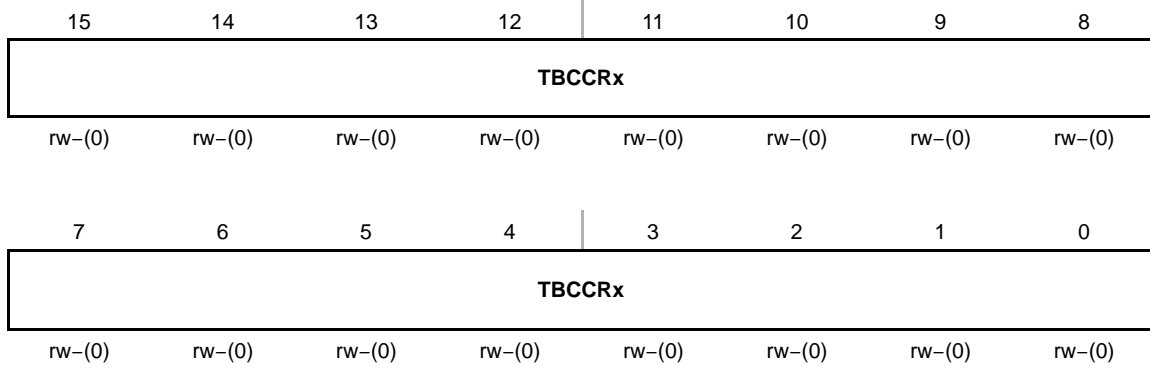
Unused	Bit 3	Unused
TBCLR	Bit 2	Timer_B clear. Setting this bit resets TBR, the clock divider, and the count direction. The TBCLR bit is automatically reset and is always read as zero.
TBIE	Bit 1	Timer_B interrupt enable. This bit enables the TBIFG interrupt request. 0 Interrupt disabled 1 Interrupt enabled
TBIFG	Bit 0	Timer_B interrupt flag. 0 No interrupt pending 1 Interrupt pending

TBR, Timer_B Register



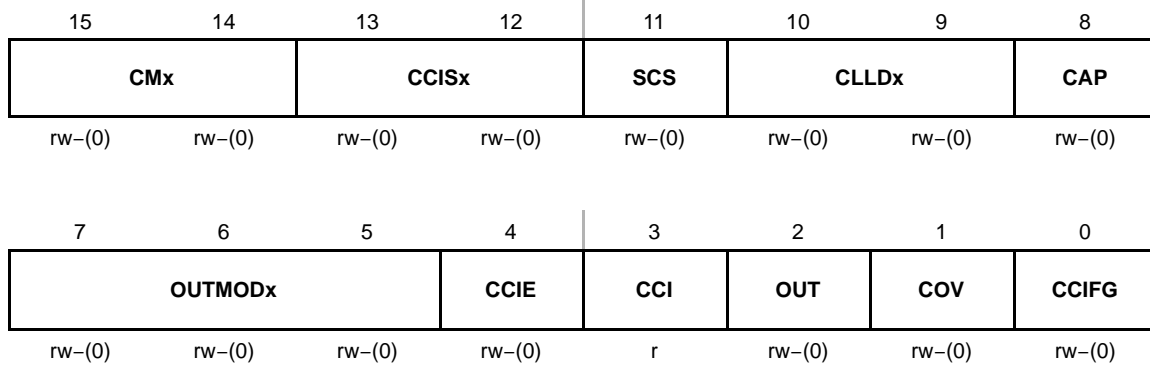
TBRx	Bits 15-0	Timer_B register. The TBR register is the count of Timer_B.
-------------	--------------	---

TBCCR_x, Timer_B Capture/Compare Register x



TBCCR_x Bits Timer_B capture/compare register
 15-0 Compare mode: Compare data is written to each TBCCR_x and automatically transferred to TBCL_x. TBCL_x holds the data for the comparison to the timer value in the Timer_B Register, TBR.
 Capture mode: The Timer_B Register, TBR, is copied into the TBCCR_x register when a capture is performed.

TBCCTLx, Capture/Compare Control Register



- CMx** Bit Capture mode

15-14 00 No capture

 01 Capture on rising edge

 10 Capture on falling edge

 11 Capture on both rising and falling edges
- CCISx** Bit Capture/compare input select. These bits select the TBCCR_x input signal. See the device-specific data sheet for specific signal connections.

13-12 00 CCI_xA

 01 CCI_xB

 10 GND

 11 V_{CC}
- SCS** Bit 11 Synchronize capture source. This bit is used to synchronize the capture input signal with the timer clock.

 0 Asynchronous capture

 1 Synchronous capture
- CLLDx** Bit Compare latch load. These bits select the compare latch load event.

10-9 00 TBCL_x loads on write to TBCCR_x

 01 TBCL_x loads when TBR *counts* to 0

 10 TBCL_x loads when TBR *counts* to 0 (up or continuous mode)

 TBCL_x loads when TBR *counts* to TBCL₀ or to 0 (up/down mode)

 11 TBCL_x loads when TBR *counts* to TBCL_x
- CAP** Bit 8 Capture mode

 0 Compare mode

 1 Capture mode
- OUTMODx** Bits Output mode. Modes 2, 3, 6, and 7 are not useful for TBCL₀, because EQU_x = EQU₀.

7-5 000 OUT bit value

 001 Set

 010 Toggle/reset

 011 Set/reset

 100 Toggle

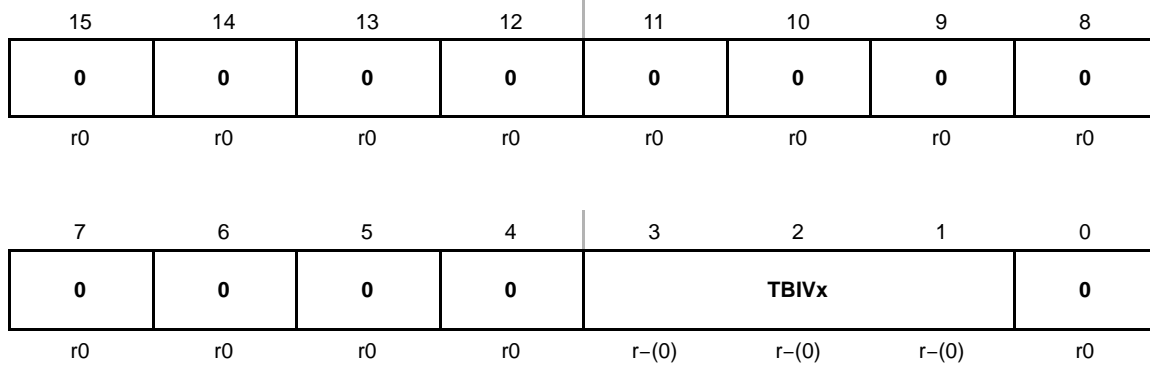
 101 Reset

 110 Toggle/set

 111 Reset/set

CCIE	Bit 4	Capture/compare interrupt enable. This bit enables the interrupt request of the corresponding CCIFG flag. 0 Interrupt disabled 1 Interrupt enabled
CCI	Bit 3	Capture/compare input. The selected input signal can be read by this bit.
OUT	Bit 2	Output. For output mode 0, this bit directly controls the state of the output. 0 Output low 1 Output high
COV	Bit 1	Capture overflow. This bit indicates a capture overflow occurred. COV must be reset with software. 0 No capture overflow occurred 1 Capture overflow occurred
CCIFG	Bit 0	Capture/compare interrupt flag 0 No interrupt pending 1 Interrupt pending

TBIV, Timer_B Interrupt Vector Register



TBIVx Bits Timer_B interrupt vector value
 15-0

TBIV Contents	Interrupt Source	Interrupt Flag	Interrupt Priority
00h	No interrupt pending	-	
02h	Capture/compare 1	TBCCR1 CCIFG	Highest
04h	Capture/compare 2	TBCCR2 CCIFG	
06h	Capture/compare 3 [†]	TBCCR3 CCIFG	
08h	Capture/compare 4 [†]	TBCCR4 CCIFG	
0Ah	Capture/compare 5 [†]	TBCCR5 CCIFG	
0Ch	Capture/compare 6 [†]	TBCCR6 CCIFG	
0Eh	Timer overflow	TBIFG	Lowest

[†] MSP430x4xx devices only

USART Peripheral Interface, UART Mode

The universal synchronous/asynchronous receive/transmit (USART) peripheral interface supports two serial modes with one hardware module. This chapter discusses the operation of the asynchronous UART mode. USART0 is implemented on the MSP430x42x and MSP430x43x devices. In addition to USART0, the MSP430x44x devices implement a second identical USART module, USART1. USART1 is also implemented in MSP430FG461x devices.

Topic	Page
17.1 USART Introduction: UART Mode	17-2
17.2 USART Operation: UART Mode	17-4
17.3 USART Registers: UART Mode	17-21

17.1 USART Introduction: UART Mode

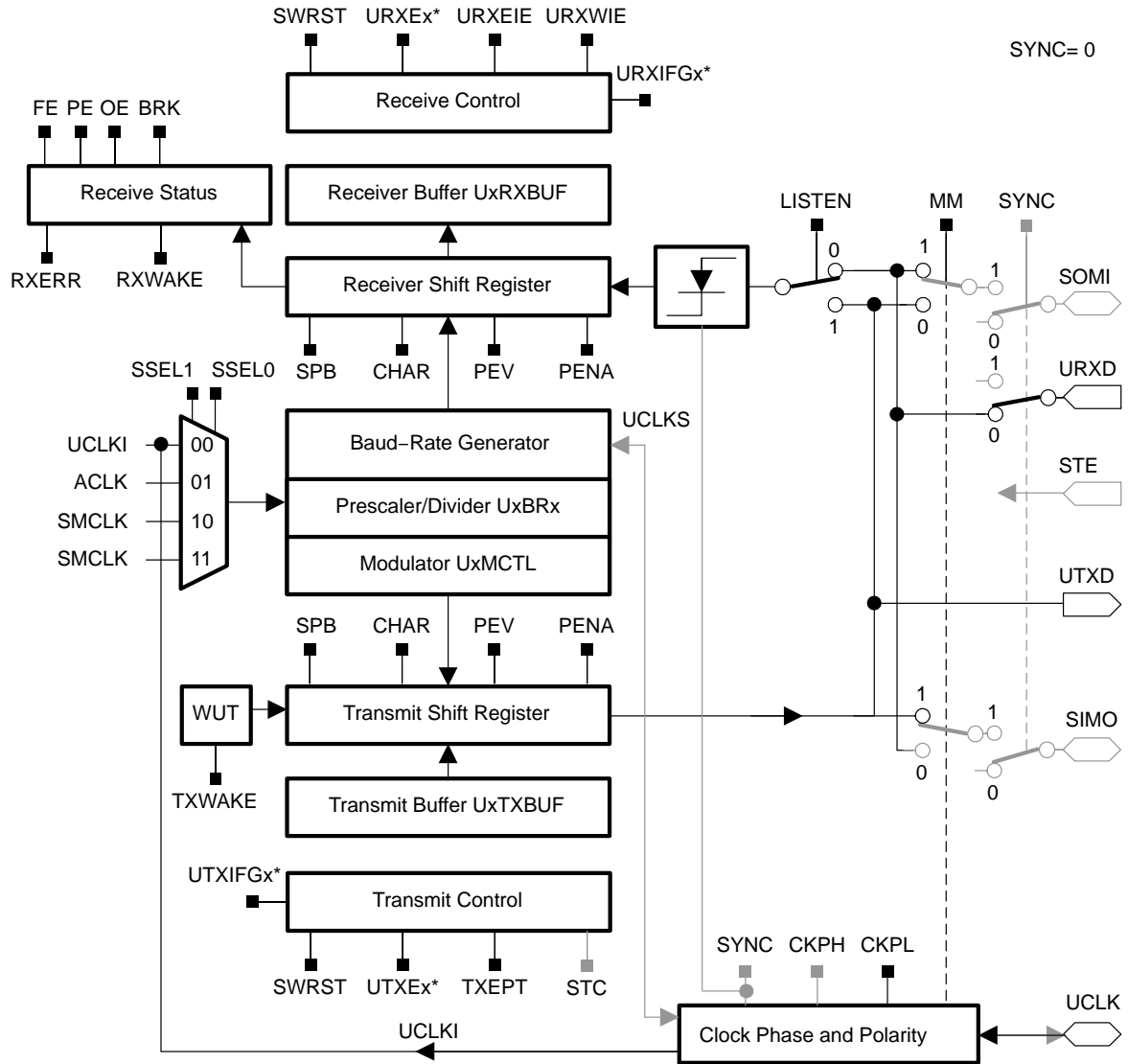
In asynchronous mode, the USART connects the MSP430 to an external system via two external pins, URXD and UTXD. UART mode is selected when the SYNC bit is cleared.

UART mode features include:

- 7- or 8-bit data with odd parity, even parity, or non-parity
- Independent transmit and receive shift registers
- Separate transmit and receive buffer registers
- LSB-first data transmit and receive
- Built-in idle-line and address-bit communication protocols for multiprocessor systems
- Receiver start-edge detection for auto-wake up from LPMx modes
- Programmable baud rate with modulation for fractional baud rate support
- Status flags for error detection and suppression and address detection
- Independent interrupt capability for receive and transmit

Figure 17–1 shows the USART when configured for UART mode.

Figure 17-1. USART Block Diagram: UART Mode



* Refer to the device-specific datasheet for SFR locations

17.2 USART Operation: UART Mode

In UART mode, the USART transmits and receives characters at a bit rate asynchronous to another device. Timing for each character is based on the selected baud rate of the USART. The transmit and receive functions use the same baud rate frequency.

17.2.1 USART Initialization and Reset

The USART is reset by a PUC or by setting the SWRST bit. After a PUC, the SWRST bit is automatically set, keeping the USART in a reset condition. When set, the SWRST bit resets the URXIE_x, UTXIE_x, URXIFG_x, RXWAKE, TXWAKE, RXERR, BRK, PE, OE, and FE bits and sets the UTXIFG_x and TXEPT bits. The receive and transmit enable flags, URXEx and UTXEx, are not altered by SWRST. Clearing SWRST releases the USART for operation. See also chapter *USART Module, I2C mode* for USART0 when reconfiguring from I²C mode to UART mode.

Note: Initializing or Reconfiguring the USART Module

The required USART initialization/reconfiguration process is:

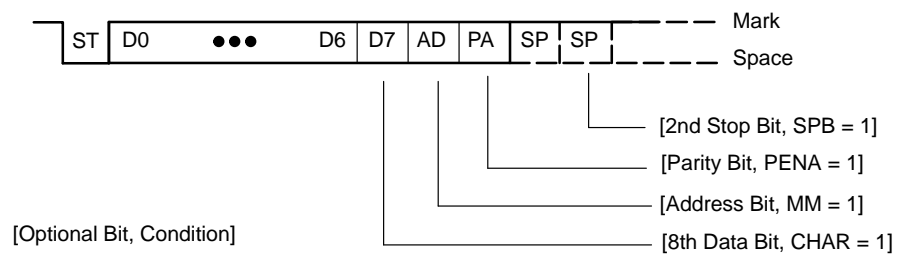
- 1) Set SWRST (`BIS.B #SWRST, &UxCTL`)
- 2) Initialize all USART registers with SWRST = 1 (including UxCTL)
- 3) Enable USART module via the MEx SFRs (URXEx and/or UTXEx)
- 4) Clear SWRST via software (`BIC.B #SWRST, &UxCTL`)
- 5) Enable interrupts (optional) via the IEx SFRs (URXIE_x and/or UTXIE_x)

Failure to follow this process may result in unpredictable USART behavior.

17.2.2 Character Format

The UART character format, shown in Figure 17–2, consists of a start bit, seven or eight data bits, an even/odd/no parity bit, an address bit (address-bit mode), and one or two stop bits. The bit period is defined by the selected clock source and setup of the baud rate registers.

Figure 17–2. Character Format



17.2.3 Asynchronous Communication Formats

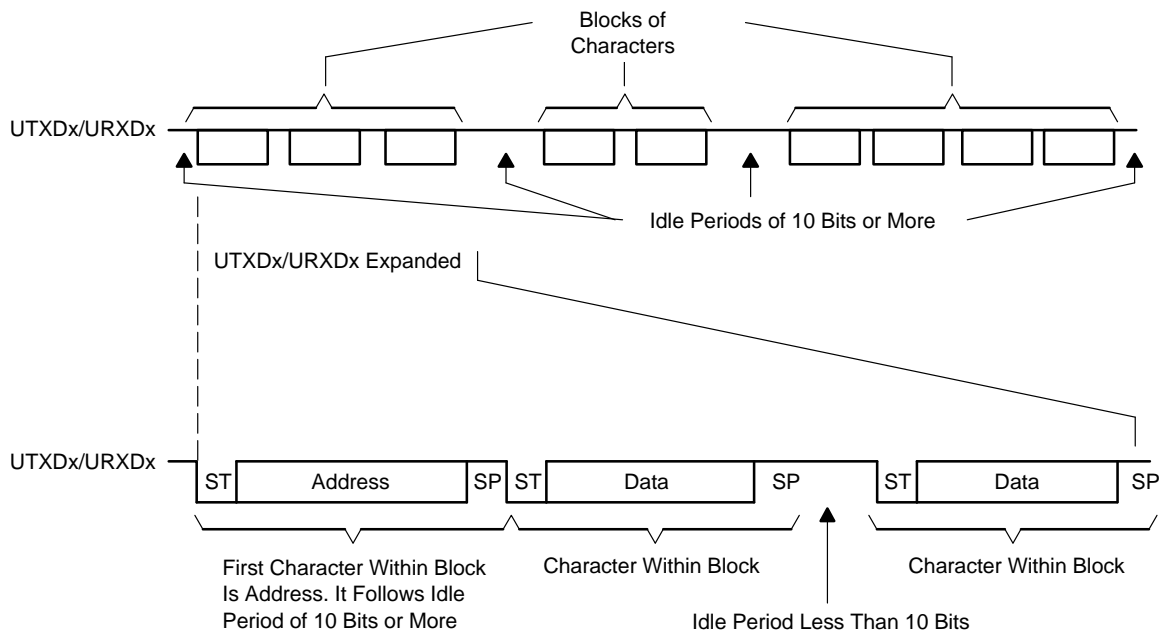
When two devices communicate asynchronously, the idle-line format is used for the protocol. When three or more devices communicate, the USART supports the idle-line and address-bit multiprocessor communication formats.

Idle-Line Multiprocessor Format

When MM = 0, the idle-line multiprocessor format is selected. Blocks of data are separated by an idle time on the transmit or receive lines as shown in Figure 17-3. An idle receive line is detected when 10 or more continuous ones (marks) are received after the first stop bit of a character. When two stop bits are used for the idle line the second stop bit is counted as the first mark bit of the idle period.

The first character received after an idle period is an address character. The RXWAKE bit is used as an address tag for each block of characters. In the idle-line multiprocessor format, this bit is set when a received character is an address and is transferred to UxRXBUF.

Figure 17-3. Idle-Line Format



The URXWIE bit is used to control data reception in the idle-line multiprocessor format. When the URXWIE bit is set, all non-address characters are assembled but not transferred into the UxRXBUF, and interrupts are not generated. When an address character is received, the receiver is temporarily activated to transfer the character to UxRXBUF and sets the URXIFGx interrupt flag. Any applicable error flag is also set. The user can then validate the received address.

If an address is received, user software can validate the address and must reset URXWIE to continue receiving data. If URXWIE remains set, only address characters are received. The URXWIE bit is not modified by the USART hardware automatically.

For address transmission in idle-line multiprocessor format, a precise idle period can be generated by the USART to generate address character identifiers on UTXDx. The wake-up temporary (WUT) flag is an internal flag double-buffered with the user-accessible TXWAKE bit. When the transmitter is loaded from UxTXBUF, WUT is also loaded from TXWAKE resetting the TXWAKE bit.

The following procedure sends out an idle frame to indicate an address character follows:

- 1) Set TXWAKE, then write any character to UxTXBUF. UxTXBUF must be ready for new data (UTXIFGx = 1).

The TXWAKE value is shifted to WUT and the contents of UxTXBUF are shifted to the transmit shift register when the shift register is ready for new data. This sets WUT, which suppresses the start, data, and parity bits of a normal transmission, then transmits an idle period of exactly 11 bits. When two stop bits are used for the idle line, the second stop bit is counted as the first mark bit of the idle period. TXWAKE is reset automatically.

- 2) Write desired address character to UxTXBUF. UxTXBUF must be ready for new data (UTXIFGx = 1).

The new character representing the specified address is shifted out following the address-identifying idle period on UTXDx. Writing the first “don’t care” character to UxTXBUF is necessary in order to shift the TXWAKE bit to WUT and generate an idle-line condition. This data is discarded and does not appear on UTXDx.

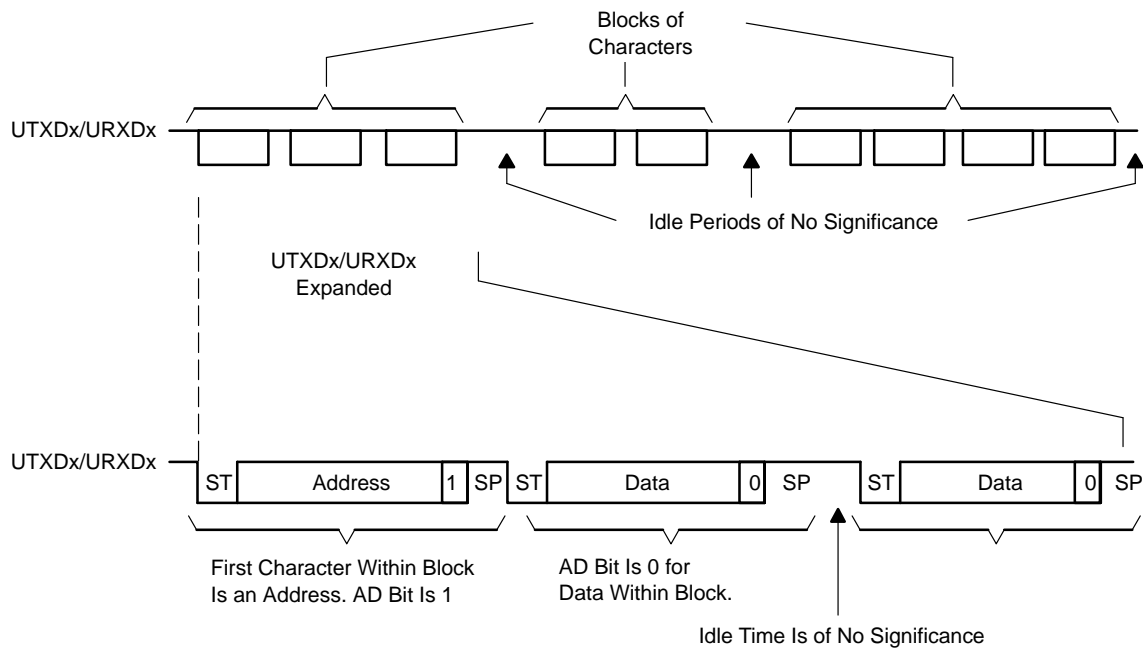
Address-Bit Multiprocessor Format

When MM = 1, the address-bit multiprocessor format is selected. Each processed character contains an extra bit used as an address indicator shown in Figure 17–4. The first character in a block of characters carries a set address bit which indicates that the character is an address. The USART RXWAKE bit is set when a received character is a valid address character and is transferred to UxRXBUF.

The URXWIE bit is used to control data reception in the address-bit multiprocessor format. If URXWIE is set, data characters (address bit = 0) are assembled by the receiver but are not transferred to UxRXBUF and no interrupts are generated. When a character containing a set address bit is received, the receiver is temporarily activated to transfer the character to UxRXBUF and set URXIFGx. All applicable error status flags are also set.

If an address is received, user software must reset URXWIE to continue receiving data. If URXWIE remains set, only address characters (address bit = 1) are received. The URXWIE bit is not modified by the USART hardware automatically.

Figure 17–4. Address-Bit Multiprocessor Format



For address transmission in address-bit multiprocessor mode, the address bit of a character can be controlled by writing to the TXWAKE bit. The value of the TXWAKE bit is loaded into the address bit of the character transferred from UxTXBUF to the transmit shift register, automatically clearing the TXWAKE bit. TXWAKE must not be cleared by software. It is cleared by USART hardware after it is transferred to WUT or by setting SWRST.

Automatic Error Detection

Glitch suppression prevents the USART from being accidentally started. Any low-level on URXDx shorter than the deglitch time t_{τ} (approximately 300 ns) is ignored. See the device-specific data sheet for parameters.

When a low period on URXDx exceeds t_{τ} a majority vote is taken for the start bit. If the majority vote fails to detect a valid start bit the USART halts character reception and waits for the next low period on URXDx. The majority vote is also used for each bit in a character to prevent bit errors.

The USART module automatically detects framing errors, parity errors, overrun errors, and break conditions when receiving characters. The bits FE, PE, OE, and BRK are set when their respective condition is detected. When any of these error flags are set, RXERR is also set. The error conditions are described in Table 17–1.

Table 17–1. Receive Error Conditions

Error Condition	Description
Framing error	A framing error occurs when a low stop bit is detected. When two stop bits are used, only the first stop bit is checked for framing error. When a framing error is detected, the FE bit is set.
Parity error	A parity error is a mismatch between the number of 1s in a character and the value of the parity bit. When an address bit is included in the character, it is included in the parity calculation. When a parity error is detected, the PE bit is set.
Receive overrun error	An overrun error occurs when a character is loaded into UxRXBUF before the prior character has been read. When an overrun occurs, the OE bit is set.
Break condition	A break condition is a period of 10 or more low bits received on URXDx after a missing stop bit. When a break condition is detected, the BRK bit is set. A break condition can also set the interrupt flag URXIFGx when URXEIE = 0.

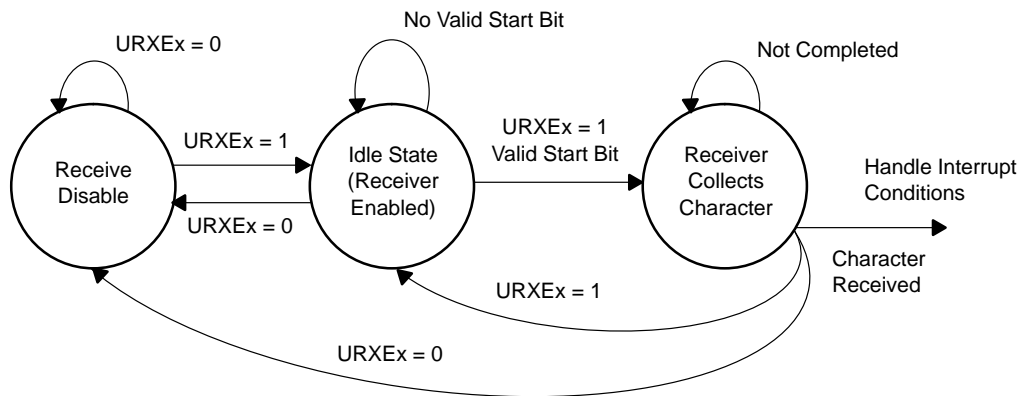
When URXEIE = 0 and a framing error, parity error, or break condition is detected, no character is received into UxRXBUF. When URXEIE = 1, characters are received into UxRXBUF and any applicable error bit is set.

When any of the FE, PE, OE, BRK, or RXERR bits are set, the bit remains set until user software resets it or UxRXBUF is read.

17.2.4 USART Receive Enable

The receive enable bit, URXEx, enables or disables data reception on URXDx as shown in Figure 17-5. Disabling the USART receiver stops the receive operation following completion of any character currently being received or immediately if no receive operation is active. The receive-data buffer, UxRXBUF, contains the character moved from the RX shift register after the character is received.

Figure 17-5. State Diagram of Receiver Enable



Note: Re-Enabling the Receiver (Setting URXEx): UART Mode

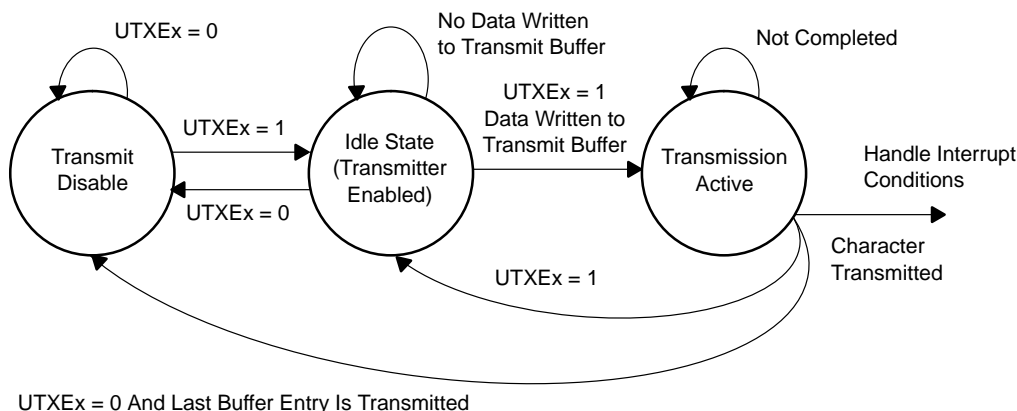
When the receiver is disabled (URXEx = 0), re-enabling the receiver (URXEx = 1) is asynchronous to any data stream that may be present on URXDx at the time. Synchronization can be performed by testing for an idle line condition before receiving a valid character (see URXWIE).

17.2.5 USART Transmit Enable

When UTXEx is set, the UART transmitter is enabled. Transmission is initiated by writing data to UxTXBUF. The data is then moved to the transmit shift register on the next BITCLK after the TX shift register is empty, and transmission begins. This process is shown in Figure 17–6.

When the UTXEx bit is reset the transmitter is stopped. Any data moved to UxTXBUF and any active transmission of data currently in the transmit shift register prior to clearing UTXEx continue until all data transmission is completed.

Figure 17–6. State Diagram of Transmitter Enable



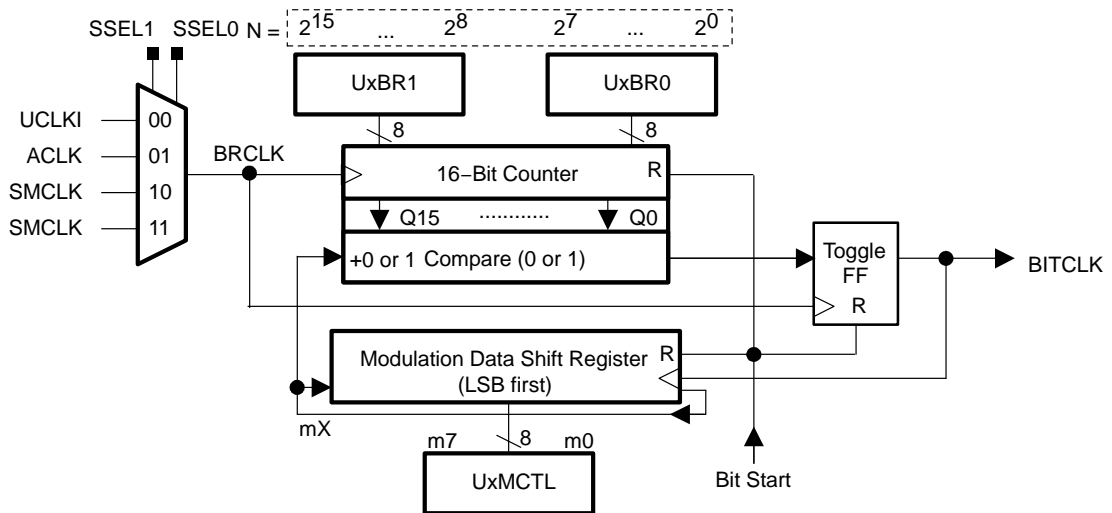
When the transmitter is enabled (UTXEx = 1), data should not be written to UxTXBUF unless it is ready for new data indicated by UTXIFGx = 1. Violation can result in an erroneous transmission if data in UxTXBUF is modified as it is being moved into the TX shift register.

It is recommended that the transmitter be disabled (UTXEx = 0) only after any active transmission is complete. This is indicated by a set transmitter empty bit (TXEPT = 1). Any data written to UxTXBUF while the transmitter is disabled are held in the buffer but are not moved to the transmit shift register or transmitted. Once UTXEx is set, the data in the transmit buffer is immediately loaded into the transmit shift register and character transmission resumes.

17.2.6 USART Baud Rate Generation

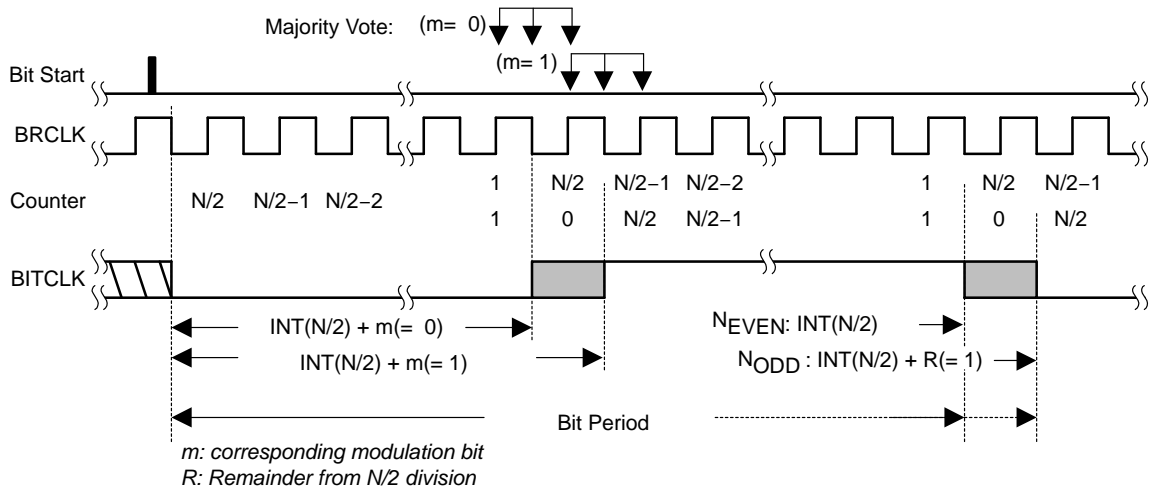
The USART baud rate generator is capable of producing standard baud rates from non-standard source frequencies. The baud rate generator uses one prescaler/divider and a modulator as shown in Figure 17–7. This combination supports fractional divisors for baud rate generation. The maximum USART baud rate is one-third the UART source clock frequency BRCLK.

Figure 17–7. MSP430 Baud Rate Generator



Timing for each bit is shown in Figure 17–8. For each bit received, a majority vote is taken to determine the bit value. These samples occur at the $N/2-1$, $N/2$, and $N/2+1$ BRCLK periods, where N is the number of BRCLKs per BITCLK.

Figure 17–8. BITCLK Baud Rate Timing



Baud Rate Bit Timing

The first stage of the baud rate generator is the 16-bit counter and comparator. At the beginning of each bit transmitted or received, the counter is loaded with $INT(N/2)$ where N is the value stored in the combination of $UxBR0$ and $UxBR1$. The counter reloads $INT(N/2)$ for each bit period half-cycle, giving a total bit period of N BRCLKs. For a given BRCLK clock source, the baud rate used determines the required division factor N :

$$N = \frac{BRCLK}{\text{baud rate}}$$

The division factor N is often a non-integer value of which the integer portion can be realized by the prescaler/divider. The second stage of the baud rate generator, the modulator, is used to meet the fractional part as closely as possible. The factor N is then defined as:

$$N = UxBR + \frac{1}{n} \sum_{i=0}^{n-1} m_i$$

Where:

- N : Target division factor
- $UxBR$: 16-bit representation of registers $UxBR0$ and $UxBR1$
- i : Bit position in the character
- n : Total number of bits in the character
- m_i : Data of each corresponding modulation bit (1 or 0)

$$\text{Baud rate} = \frac{BRCLK}{N} = \frac{BRCLK}{UxBR + \frac{1}{n} \sum_{i=0}^{n-1} m_i}$$

The BITCLK can be adjusted from bit to bit with the modulator to meet timing requirements when a non-integer divisor is needed. Timing of each bit is expanded by one BRCLK clock cycle if the modulator bit m_i is set. Each time a bit is received or transmitted, the next bit in the modulation control register determines the timing for that bit. A set modulation bit increases the division factor by one while a cleared modulation bit maintains the division factor given by $UxBR$.

The timing for the start bit is determined by $UxBR$ plus m_0 , the next bit is determined by $UxBR$ plus m_1 , and so on. The modulation sequence begins with the LSB. When the character is greater than 8 bits, the modulation sequence restarts with m_0 and continues until all bits are processed.

Determining the Modulation Value

Determining the modulation value is an interactive process. Using the timing error formula provided, beginning with the start bit, the individual bit errors are calculated with the corresponding modulator bit set and cleared. The modulation bit setting with the lower error is selected and the next bit error is calculated. This process is continued until all bit errors are minimized. When a character contains more than 8 bits, the modulation bits repeat. For example, the ninth bit of a character uses modulation bit 0.

Transmit Bit Timing

The timing for each character is the sum of the individual bit timings. By modulating each bit, the cumulative bit error is reduced. The individual bit error can be calculated by:

$$\text{Error [\%]} = \left\{ \frac{\text{baud rate}}{\text{BRCLK}} \times \left[(j + 1) \times \text{UxBR} + \sum_{i=0}^j m_i \right] - (j + 1) \right\} \times 100\%$$

With:

baud rate: Desired baud rate

BRCLK: Input frequency – UCLKI, ACLK, or SMCLK

j: Bit position - 0 for the start bit, 1 for data bit D0, and so on

UxBR: Division factor in registers UxBR1 and UxBR0

For example, the transmit errors for the following conditions are calculated:

Baud rate = 2400
 BRCLK = 32,768 Hz (ACLK)
 UxBR = 13, since the ideal division factor is 13.65
 UxMCTL = 6Bh: m7=0, m6=1, m5=1, m4=0, m3=1, m2=0, m1=1, and m0=1. The LSB of UxMCTL is used first.

$$\text{Start bit Error [\%]} = \left(\frac{\text{baud rate}}{\text{BRCLK}} \times ((0 + 1) \times \text{UxBR} + 1) - 1 \right) \times 100\% = 2.54\%$$

$$\text{Data bit D0 Error [\%]} = \left(\frac{\text{baud rate}}{\text{BRCLK}} \times ((1 + 1) \times \text{UxBR} + 2) - 2 \right) \times 100\% = 5.08\%$$

$$\text{Data bit D1 Error [\%]} = \left(\frac{\text{baud rate}}{\text{BRCLK}} \times ((2 + 1) \times \text{UxBR} + 2) - 3 \right) \times 100\% = 0.29\%$$

$$\text{Data bit D2 Error [\%]} = \left(\frac{\text{baud rate}}{\text{BRCLK}} \times ((3 + 1) \times \text{UxBR} + 3) - 4 \right) \times 100\% = 2.83\%$$

$$\text{Data bit D3 Error [\%]} = \left(\frac{\text{baud rate}}{\text{BRCLK}} \times ((4 + 1) \times \text{UxBR} + 3) - 5 \right) \times 100\% = -1.95\%$$

$$\text{Data bit D4 Error [\%]} = \left(\frac{\text{baud rate}}{\text{BRCLK}} \times ((5 + 1) \times \text{UxBR} + 4) - 6 \right) \times 100\% = 0.59\%$$

$$\text{Data bit D5 Error [\%]} = \left(\frac{\text{baud rate}}{\text{BRCLK}} \times ((6 + 1) \times \text{UxBR} + 5) - 7 \right) \times 100\% = 3.13\%$$

$$\text{Data bit D6 Error [\%]} = \left(\frac{\text{baud rate}}{\text{BRCLK}} \times ((7 + 1) \times \text{UxBR} + 5) - 8 \right) \times 100\% = -1.66\%$$

$$\text{Data bit D7 Error [\%]} = \left(\frac{\text{baud rate}}{\text{BRCLK}} \times ((8 + 1) \times \text{UxBR} + 6) - 9 \right) \times 100\% = 0.88\%$$

$$\text{Parity bit Error [\%]} = \left(\frac{\text{baud rate}}{\text{BRCLK}} \times ((9 + 1) \times \text{UxBR} + 7) - 10 \right) \times 100\% = 3.42\%$$

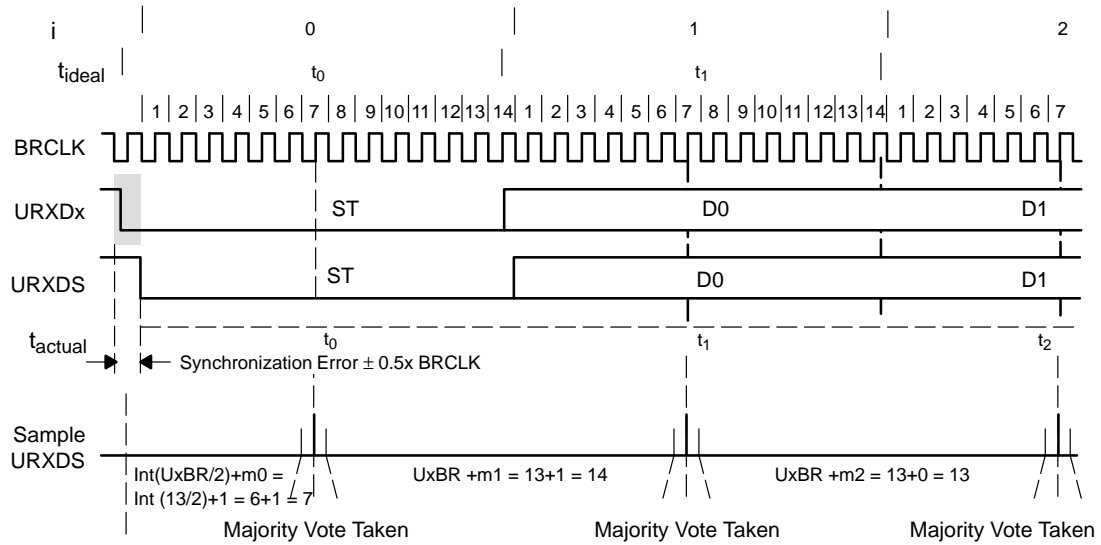
$$\text{Stop bit 1 Error [\%]} = \left(\frac{\text{baud rate}}{\text{BRCLK}} \times ((10 + 1) \times \text{UxBR} + 7) - 11 \right) \times 100\% = -1.37\%$$

The results show the maximum per-bit error to be 5.08% of a BITCLK period.

Receive Bit Timing

Receive timing is subject to two error sources. The first is the bit-to-bit timing error. The second is the error between a start edge occurring and the start edge being accepted by the USART. Figure 17–9 shows the asynchronous timing errors between data on the URXDx pin and the internal baud-rate clock.

Figure 17–9. Receive Error



The ideal start bit timing $t_{ideal(0)}$ is half the baud-rate timing $t_{baudrate}$, because the bit is tested in the middle of its period. The ideal baud-rate timing $t_{ideal(i)}$ for the remaining character bits is the baud rate timing $t_{baudrate}$. The individual bit errors can be calculated by:

$$Error [\%] = \left[\frac{baud\ rate}{BRCLK} \times \left\{ 2 \times \left[m0 + int \left(\frac{UxBR}{2} \right) \right] + \left(i \times UxBR + \sum_{i=1}^j m_i \right) \right\} - 1 - j \right] \times 100\%$$

Where:

- baud rate* is the required baud rate
- BRCLK* is the input frequency—selected for UCLK, ACLK, or SMCLK
- j* = 0 for the start bit, 1 for data bit D0, and so on
- UxBR* is the division factor in registers UxBR1 and UxBR0

For example, the receive errors for the following conditions are calculated:

Baud rate = 2400
 BRCLK = 32,768 Hz (ACLK)
 UxBR = 13, since the ideal division factor is 13.65
 UxMCTL = 6B:m7=0, m6=1, m5=1, m4=0, m3=1, m2=0, m1=1 and
 m0=1 The LSB of UxMCTL is used first.

$$\text{Start bit Error [\%]} = \left(\frac{\text{baud rate}}{\text{BRCLK}} \times [2x(1 + 6) + (0 \times \text{UxBR} + 0)] - 1 - 0 \right) \times 100\% = 2.54\%$$

$$\text{Data bit D0 Error [\%]} = \left(\frac{\text{baud rate}}{\text{BRCLK}} \times [2x(1 + 6) + (1 \times \text{UxBR} + 1)] - 1 - 1 \right) \times 100\% = 5.08\%$$

$$\text{Data bit D1 Error [\%]} = \left(\frac{\text{baud rate}}{\text{BRCLK}} \times [2x(1 + 6) + (2 \times \text{UxBR} + 1)] - 1 - 2 \right) \times 100\% = 0.29\%$$

$$\text{Data bit D2 Error [\%]} = \left(\frac{\text{baud rate}}{\text{BRCLK}} \times [2x(1 + 6) + (3 \times \text{UxBR} + 2)] - 1 - 3 \right) \times 100\% = 2.83\%$$

$$\text{Data bit D3 Error [\%]} = \left(\frac{\text{baud rate}}{\text{BRCLK}} \times [2x(1 + 6) + (4 \times \text{UxBR} + 2)] - 1 - 4 \right) \times 100\% = -1.95\%$$

$$\text{Data bit D4 Error [\%]} = \left(\frac{\text{baud rate}}{\text{BRCLK}} \times [2x(1 + 6) + (5 \times \text{UxBR} + 3)] - 1 - 5 \right) \times 100\% = 0.59\%$$

$$\text{Data bit D5 Error [\%]} = \left(\frac{\text{baud rate}}{\text{BRCLK}} \times [2x(1 + 6) + (6 \times \text{UxBR} + 4)] - 1 - 6 \right) \times 100\% = 3.13\%$$

$$\text{Data bit D6 Error [\%]} = \left(\frac{\text{baud rate}}{\text{BRCLK}} \times [2x(1 + 6) + (7 \times \text{UxBR} + 4)] - 1 - 7 \right) \times 100\% = -1.66\%$$

$$\text{Data bit D7 Error [\%]} = \left(\frac{\text{baud rate}}{\text{BRCLK}} \times [2x(1 + 6) + (8 \times \text{UxBR} + 5)] - 1 - 8 \right) \times 100\% = 0.88\%$$

$$\text{Parity bit Error [\%]} = \left(\frac{\text{baud rate}}{\text{BRCLK}} \times [2x(1 + 6) + (9 \times \text{UxBR} + 6)] - 1 - 9 \right) \times 100\% = 3.42\%$$

$$\text{Stop bit 1 Error [\%]} = \left(\frac{\text{baud rate}}{\text{BRCLK}} \times [2x(1 + 6) + (10 \times \text{UxBR} + 6)] - 1 - 10 \right) \times 100\% = -1.37\%$$

The results show the maximum per-bit error to be 5.08% of a BITCLK period.

Typical Baud Rates and Errors

Standard baud rate frequency data for UxBRx and UxMCTL are listed in Table 17–2 for a 32,768-Hz watch crystal (ACLK) and a typical 1,048,576-Hz SMCLK.

The receive error is the accumulated time versus the ideal scanning time in the middle of each bit. The transmit error is the accumulated timing error versus the ideal time of the bit period.

Table 17–2. Commonly Used Baud Rates, Baud Rate Data, and Errors

Baud Rate	Divide by		A: BRCLK = 32,768 Hz						B: BRCLK = 1,048,576 Hz				
	A:	B:	UxBR1	UxBR0	UxMCTL	Max. TX Error %	Max. RX Error %	Synchr. RX Error %	UxBR1	UxBR0	UxMCTL	Max. TX Error %	Max. RX Error %
1200	27.31	873.81	0	1B	03	-4/3	-4/3	±2	03	69	FF	0/0.3	±2
2400	13.65	436.91	0	0D	6B	-6/3	-6/3	±4	01	B4	FF	0/0.3	±2
4800	6.83	218.45	0	06	6F	-9/11	-9/11	±7	0	DA	55	0/0.4	±2
9600	3.41	109.23	0	03	4A	-21/12	-21/12	±15	0	6D	03	-0.4/1	±2
19,200		54.61							0	36	6B	-0.2/2	±2
38,400		27.31							0	1B	03	-4/3	±2
76,800		13.65							0	0D	6B	-6/3	±4
115,200		9.1							0	09	08	-5/7	±7

17.2.7 USART Interrupts

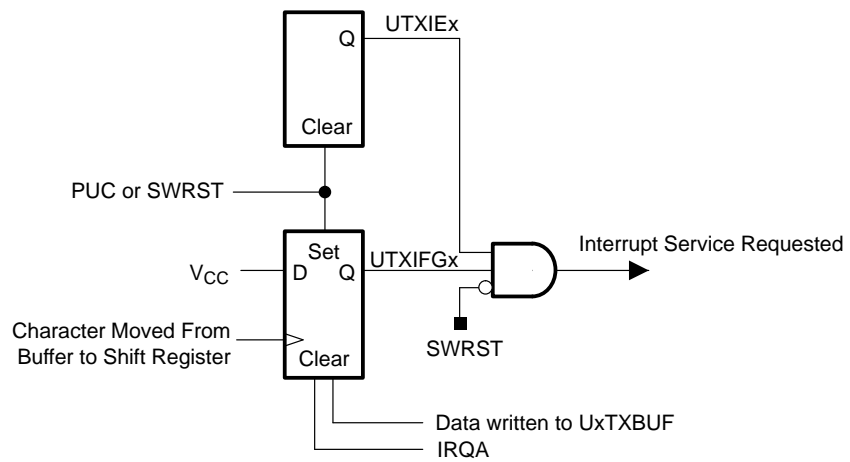
The USART has one interrupt vector for transmission and one interrupt vector for reception.

USART Transmit Interrupt Operation

The UTXIFGx interrupt flag is set by the transmitter to indicate that UxTXBUF is ready to accept another character. An interrupt request is generated if UTXIEx and GIE are also set. UTXIFGx is automatically reset if the interrupt request is serviced or if a character is written to UxTXBUF.

UTXIFGx is set after a PUC or when SWRST = 1. UTXIEx is reset after a PUC or when SWRST = 1. The operation is shown in Figure 17–10.

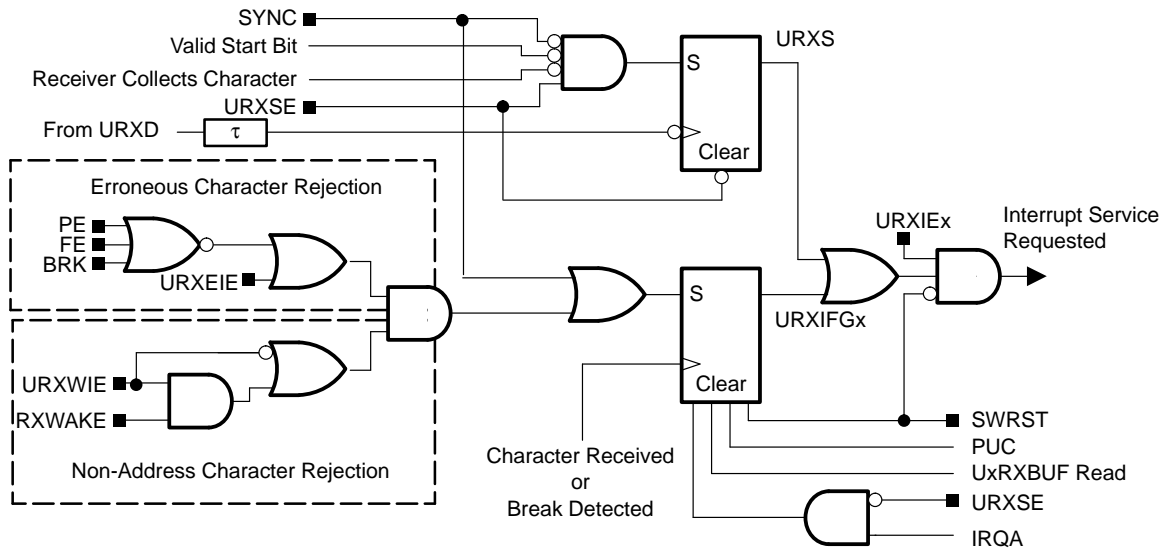
Figure 17–10. Transmit Interrupt Operation



USART Receive Interrupt Operation

The URXIFGx interrupt flag is set each time a character is received and loaded into UxRXBUF. An interrupt request is generated if URXIEx and GIE are also set. URXIFGx and URXIEx are reset by a system reset PUC signal or when SWRST = 1. URXIFGx is automatically reset if the pending interrupt is served (when URXSE = 0) or when UxRXBUF is read. The operation is shown in Figure 17–11.

Figure 17–11. Receive Interrupt Operation



URXEIE is used to enable or disable erroneous characters from setting URXIFGx. When using multiprocessor addressing modes, URXWIE is used to auto-detect valid address characters and reject unwanted data characters.

Two types of characters do not set URXIFGx:

- Erroneous characters when URXEIE = 0
- Non-address characters when URXWIE = 1

When URXEIE = 1 a break condition sets the BRK bit and the URXIFGx flag.

Receive-Start Edge Detect Operation

The URXSE bit enables the receive start-edge detection feature. The recommended usage of the receive-start edge feature is when BRCLK is sourced by the DCO and when the DCO is off because of low-power mode operation. The ultra-fast turn-on of the DCO allows character reception after the start edge detection.

When URXSE, URXIE_x and GIE are set and a start edge occurs on URXD_x, the internal signal URXS is set. When URXS is set, a receive interrupt request is generated but URXIFG_x is not set. User software in the receive interrupt service routine can test URXIFG_x to determine the source of the interrupt. When URXIFG_x = 0 a start edge was detected, and when URXIFG_x = 1 a valid character (or break) was received.

When the ISR determines the interrupt request was from a start edge, user software toggles URXSE, and must enable the BRCLK source by returning from the ISR to active mode or to a low-power mode where the source is active. If the ISR returns to a low-power mode where the BRCLK source is inactive, the character is not received. Toggling URXSE clears the URXS signal and re-enables the start edge detect feature for future characters. See chapter *System Resets, Interrupts, and Operating Modes* for information on entering and exiting low-power modes.

The now active BRCLK allows the USART to receive the balance of the character. After the full character is received and moved to UxRXBUF, URXIFG_x is set and an interrupt service is again requested. Upon ISR entry, URXIFG_x = 1 indicating a character was received. The URXIFG_x flag is cleared when user software reads UxRXBUF.

```

; Interrupt handler for start condition and
; Character receive. BRCLK = DCO.

U0RX_Int BIT.B #URXIFG0,&IFG1 ; Test URXIFGx to determine
        JZ     ST_COND          ; If start or character
        MOV.B &UxRXBUF,dst     ; Read buffer
        ...                      ;
        RETI                     ;

ST_COND BIC.B #URXSE,&U0TCTL ; Clear URXS signal
        BIS.B #URXSE,&U0TCTL ; Re-enable edge detect
        BIC  #SCG0+SCG1,0(SP) ; Enable BRCLK = DCO
        RETI                     ;

```

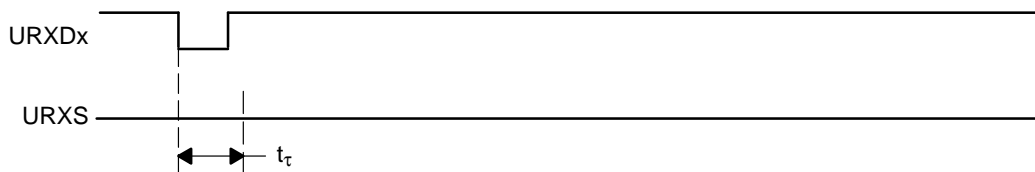
Note: Break Detect With Halted UART Clock

When using the receive start-edge detect feature, a break condition cannot be detected when the BRCLK source is off.

Receive-Start Edge Detect Conditions

When URXSE = 1, glitch suppression prevents the USART from being accidentally started. Any low-level on URXDx shorter than the deglitch time t_{τ} (approximately 300 ns) is ignored by the USART and no interrupt request is generated (see Figure 17–12). See the device-specific data sheet for parameters.

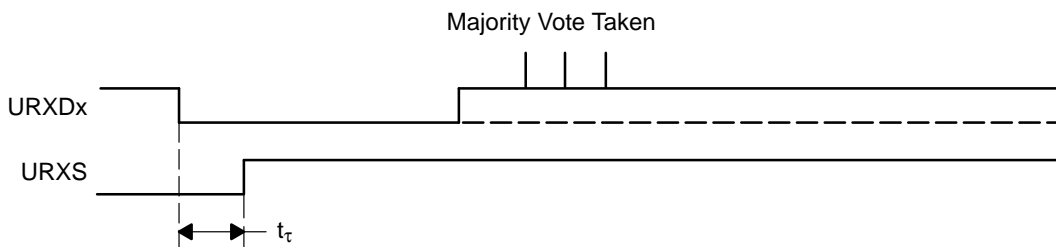
Figure 17–12. Glitch Suppression, USART Receive Not Started



When a glitch is longer than t_{τ} or a valid start bit occurs on URXDx, the USART receive operation is started and a majority vote is taken as shown in Figure 17–13. If the majority vote fails to detect a start bit, the USART halts character reception.

If character reception is halted, an active BRCLK is not necessary. A time-out period longer than the character receive duration can be used by software to indicate that a character was not received in the expected time, and the software can disable BRCLK.

Figure 17–13. Glitch Suppression, USART Activated



17.3 USART Registers: UART Mode

Table 17–3 lists the registers for all devices implementing a USART module. Table 17–4 applies only to devices with a second USART module, USART1.

Table 17–3. USART0 Control and Status Registers

Register	Short Form	Register Type	Address	Initial State
USART control register	U0CTL	Read/write	070h	001h with PUC
Transmit control register	U0TCTL	Read/write	071h	001h with PUC
Receive control register	U0RCTL	Read/write	072h	000h with PUC
Modulation control register	U0MCTL	Read/write	073h	Unchanged
Baud rate control register 0	U0BR0	Read/write	074h	Unchanged
Baud rate control register 1	U0BR1	Read/write	075h	Unchanged
Receive buffer register	U0RXBUF	Read	076h	Unchanged
Transmit buffer register	U0TXBUF	Read/write	077h	Unchanged
SFR module enable register 1	ME1	Read/write	004h	000h with PUC
SFR interrupt enable register 1	IE1	Read/write	000h	000h with PUC
SFR interrupt flag register 1	IFG1	Read/write	002h	082h with PUC

Table 17–4. USART1 Control and Status Registers

Register	Short Form	Register Type	Address	Initial State
USART control register	U1CTL	Read/write	078h	001h with PUC
Transmit control register	U1TCTL	Read/write	079h	001h with PUC
Receive control register	U1RCTL	Read/write	07Ah	000h with PUC
Modulation control register	U1MCTL	Read/write	07Bh	Unchanged
Baud rate control register 0	U1BR0	Read/write	07Ch	Unchanged
Baud rate control register 1	U1BR1	Read/write	07Dh	Unchanged
Receive buffer register	U1RXBUF	Read	07Eh	Unchanged
Transmit buffer register	U1TXBUF	Read/write	07Fh	Unchanged
SFR module enable register 2	ME2	Read/write	005h	000h with PUC
SFR interrupt enable register 2	IE2	Read/write	001h	000h with PUC
SFR interrupt flag register 2	IFG2	Read/write	003h	020h with PUC

Note: Modifying SFR bits

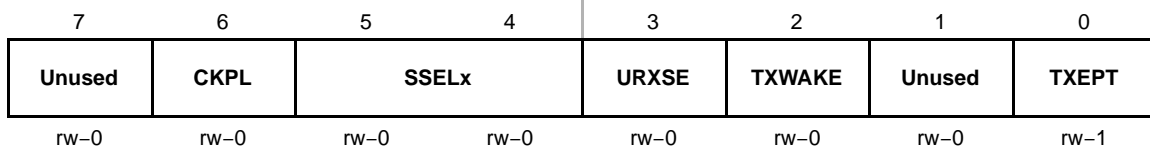
To avoid modifying control bits of other modules, it is recommended to set or clear the IEx and IFGx bits using `BIS . B` or `BIC . B` instructions, rather than `MOV . B` or `CLR . B` instructions.

UxCTL, USART Control Register

7	6	5	4	3	2	1	0
PENA	PEV	SPB	CHAR	LISTEN	SYNC	MM	SWRST
rw-0	rw-0	rw-0	rw-0	rw-0	rw-0	rw-0	rw-1

PENA	Bit 7	Parity enable 0 Parity disabled 1 Parity enabled. Parity bit is generated (UTXDx) and expected (URXDx). In address-bit multiprocessor mode, the address bit is included in the parity calculation.
PEV	Bit 6	Parity select. PEV is not used when parity is disabled. 0 Odd parity 1 Even parity
SPB	Bit 5	Stop bit select. Number of stop bits transmitted. The receiver always checks for one stop bit. 0 One stop bit 1 Two stop bits
CHAR	Bit 4	Character length. Selects 7-bit or 8-bit character length. 0 7-bit data 1 8-bit data
LISTEN	Bit 3	Listen enable. The LISTEN bit selects loopback mode. 0 Disabled 1 Enabled. UTXDx is internally fed back to the receiver.
SYNC	Bit 2	Synchronous mode enable 0 UART mode 1 SPI Mode
MM	Bit 1	Multiprocessor mode select 0 Idle-line multiprocessor protocol 1 Address-bit multiprocessor protocol
SWRST	Bit 0	Software reset enable 0 Disabled. USART reset released for operation 1 Enabled. USART logic held in reset state

UxTCTL, USART Transmit Control Register



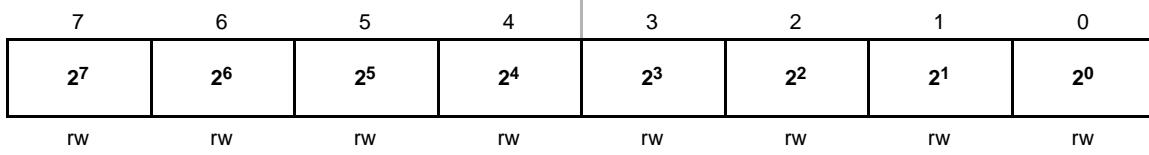
Unused	Bit 7	Unused
CKPL	Bit 6	Clock polarity select 0 UCLKI = UCLK 1 UCLKI = inverted UCLK
SSELx	Bits 5-4	Source select. These bits select the BRCLK source clock. 00 UCLKI 01 ACLK 10 SMCLK 11 SMCLK
URXSE	Bit 3	UART receive start-edge. The bit enables the UART receive start-edge feature. 0 Disabled 1 Enabled
TXWAKE	Bit 2	Transmitter wake 0 Next frame transmitted is data 1 Next frame transmitted is an address
Unused	Bit 1	Unused
TXEPT	Bit 0	Transmitter empty flag 0 UART is transmitting data and/or data is waiting in UxTXBUF 1 Transmitter shift register and UxTXBUF are empty or SWRST = 1

UxRCTL, USART Receive Control Register

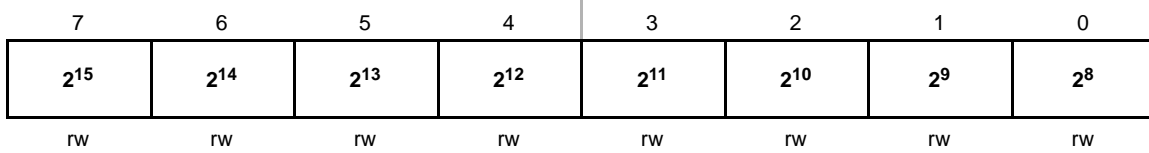
7	6	5	4	3	2	1	0
FE	PE	OE	BRK	URXEIE	URXWIE	RXWAKE	RXERR
rw-0	rw-0	rw-0	rw-0	rw-0	rw-0	rw-0	rw-0

FE	Bit 7	Framing error flag 0 No error 1 Character received with low stop bit
PE	Bit 6	Parity error flag. When PENA = 0, PE is read as 0. 0 No error 1 Character received with parity error
OE	Bit 5	Overrun error flag. This bit is set when a character is transferred into UxRXBUF before the previous character was read. 0 No error 1 Overrun error occurred
BRK	Bit 4	Break detect flag 0 No break condition 1 Break condition occurred
URXEIE	Bit 3	Receive erroneous-character interrupt-enable 0 Erroneous characters rejected and URXIFGx is not set 1 Erroneous characters received set URXIFGx
URXWIE	Bit 2	Receive wake-up interrupt-enable. This bit enables URXIFGx to be set when an address character is received. When URXEIE = 0, an address character does not set URXIFGx if it is received with errors. 0 All received characters set URXIFGx 1 Only received address characters set URXIFGx
RXWAKE	Bit 1	Receive wake-up flag 0 Received character is data 1 Received character is an address
RXERR	Bit 0	Receive error flag. This bit indicates a character was received with error(s). When RXERR = 1, on or more error flags (FE,PE,OE, BRK) is also set. RXERR is cleared when UxRXBUF is read. 0 No receive errors detected 1 Receive error detected

UxBR0, USART Baud Rate Control Register 0



UxBR1, USART Baud Rate Control Register 1



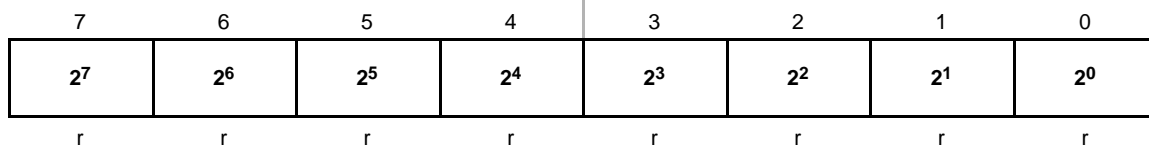
UxBRx The valid baud-rate control range is $3 \leq UxBR < 0FFFFh$, where $UxBR = \{UxBR1+UxBR0\}$. Unpredictable receive and transmit timing occurs if $UxBR < 3$.

UxMCTL, USART Modulation Control Register



UxMCTLx Bits Modulation bits. These bits select the modulation for BRCLK.
 7-0

UxRXBUF, USART Receive Buffer Register



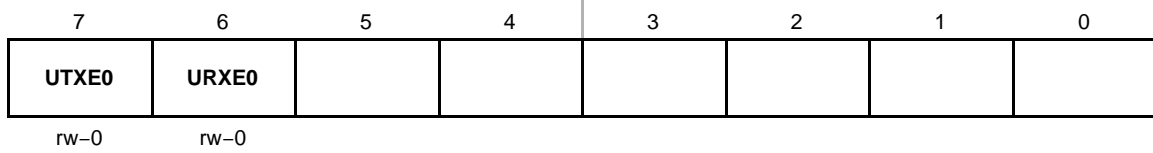
UxRXBUFx Bits 7–0 The receive-data buffer is user accessible and contains the last received character from the receive shift register. Reading UxRXBUF resets the receive-error bits, the RXWAKE bit, and URXIFGx. In 7-bit data mode, UxRXBUF is LSB justified and the MSB is always reset.

UxTXBUF, USART Transmit Buffer Register



UxTXBUFx Bits 7–0 The transmit data buffer is user accessible and holds the data waiting to be moved into the transmit shift register and transmitted on UTXDx. Writing to the transmit data buffer clears UTXIFGx. The MSB of UxTXBUF is not used for 7-bit data and is reset.

ME1, Module Enable Register 1

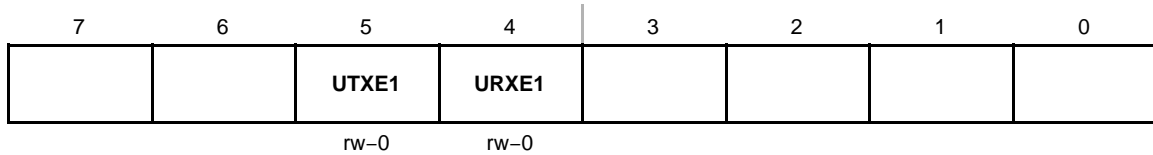


UTXE0 Bit 7 USART0 transmit enable. This bit enables the transmitter for USART0.
 0 Module not enabled
 1 Module enabled

URXE0 Bit 6 USART0 receive enable. This bit enables the receiver for USART0.
 0 Module not enabled
 1 Module enabled

Bits 5-0 These bits may be used by other modules. See device-specific data sheet.

ME2, Module Enable Register 2



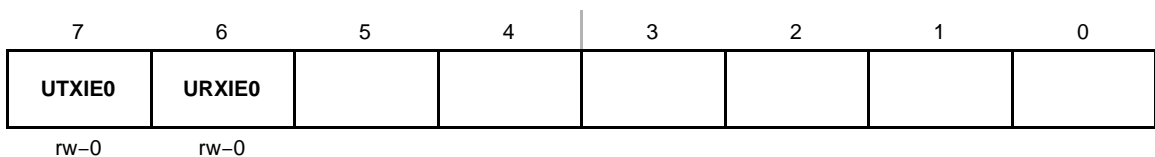
Bits 7-6 These bits may be used by other modules. See device-specific data sheet.

UTXE1 Bit 5 USART1 transmit enable. This bit enables the transmitter for USART1.
 0 Module not enabled
 1 Module enabled

URXE1 Bit 4 USART1 receive enable. This bit enables the receiver for USART1.
 0 Module not enabled
 1 Module enabled

Bits 3-0 These bits may be used by other modules. See device-specific data sheet.

IE1, Interrupt Enable Register 1

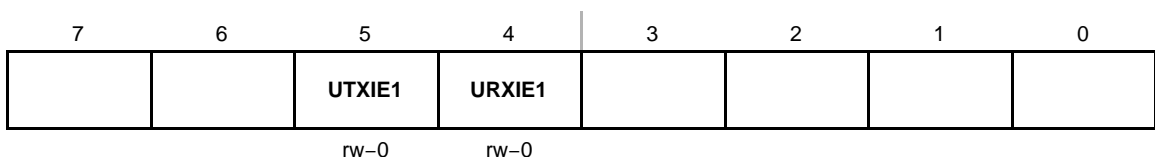


UTXIE0 Bit 7 USART0 transmit interrupt enable. This bit enables the UTXIFG0 interrupt.
0 Interrupt not enabled
1 Interrupt enabled

URXIE0 Bit 6 USART0 receive interrupt enable. This bit enables the URXIFG0 interrupt.
0 Interrupt not enabled
1 Interrupt enabled

Bits 5-0 These bits may be used by other modules. See device-specific data sheet.

IE2, Interrupt Enable Register 2



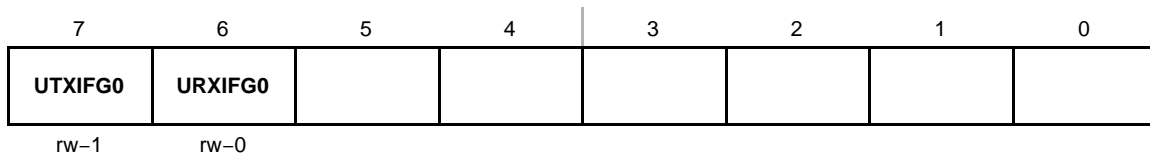
Bits 7-6 These bits may be used by other modules. See device-specific data sheet.

UTXIE1 Bit 5 USART1 transmit interrupt enable. This bit enables the UTXIFG1 interrupt.
0 Interrupt not enabled
1 Interrupt enabled

URXIE1 Bit 4 USART1 receive interrupt enable. This bit enables the URXIFG1 interrupt.
0 Interrupt not enabled
1 Interrupt enabled

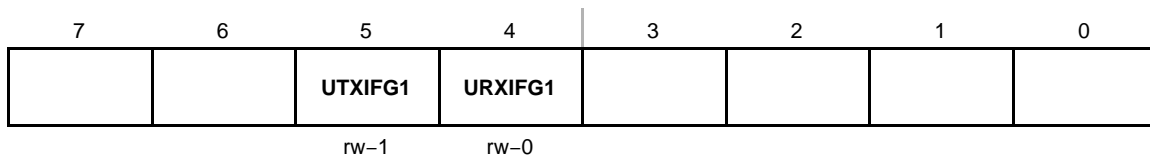
Bits 3-0 These bits may be used by other modules. See device-specific data sheet.

IFG1, Interrupt Flag Register 1



- UTXIFG0** Bit 7 USART0 transmit interrupt flag. UTXIFG0 is set when U0TXBUF is empty.
 0 No interrupt pending
 1 Interrupt pending
- URXIFG0** Bit 6 USART0 receive interrupt flag. URXIFG0 is set when U0RXBUF has received a complete character.
 0 No interrupt pending
 1 Interrupt pending
- Bits 5-0 These bits may be used by other modules. See device-specific data sheet.

IFG2, Interrupt Flag Register 2



- Bits 7-6 These bits may be used by other modules. See device-specific data sheet.
- UTXIFG1** Bit 5 USART1 transmit interrupt flag. UTXIFG1 is set when U1TXBUF empty.
 0 No interrupt pending
 1 Interrupt pending
- URXIFG1** Bit 4 USART1 receive interrupt flag. URXIFG1 is set when U1RXBUF has received a complete character.
 0 No interrupt pending
 1 Interrupt pending
- Bits 3-0 These bits may be used by other modules. See device-specific data sheet.



USART Peripheral Interface, SPI Mode

The universal synchronous/asynchronous receive/transmit (USART) peripheral interface supports two serial modes with one hardware module. This chapter discusses the operation of the synchronous peripheral interface or SPI mode. USART0 is implemented on the MSP430x42x and MSP430x43x devices. In addition to USART0, the MSP430x44x devices implement a second identical USART module, USART1. USART1 is also implemented in MSP430FG461x devices.

Topic	Page
18.1 USART Introduction: SPI Mode	18-2
18.2 USART Operation: SPI Mode	18-4
18.3 USART Registers: SPI Mode	18-13

18.1 USART Introduction: SPI Mode

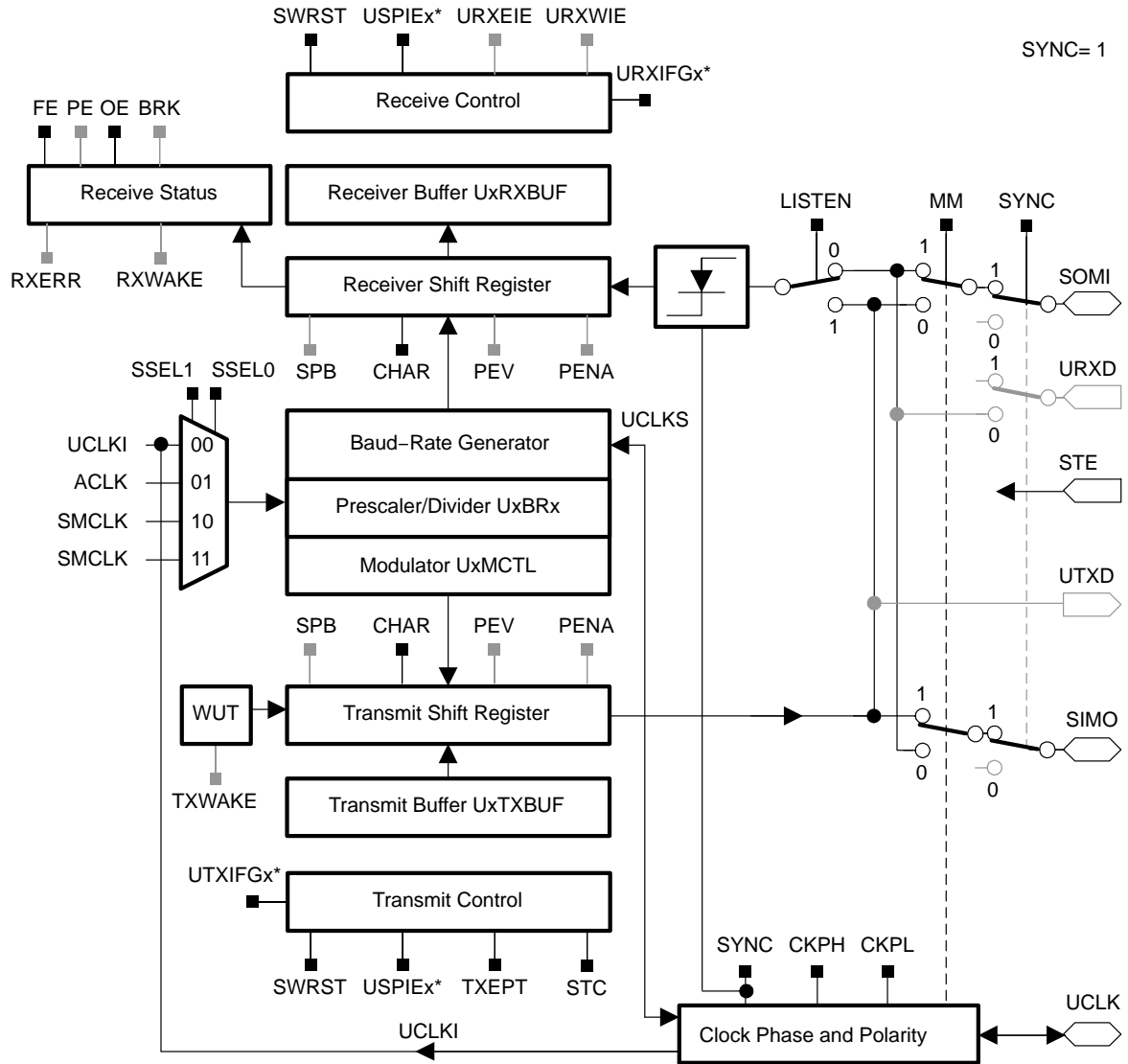
In synchronous mode, the USART connects the MSP430 to an external system via three or four pins: SIMO, SOMI, UCLK, and STE. SPI mode is selected when the SYNC bit is set and the I2C bit is cleared.

SPI mode features include:

- 7-bit or 8-bit data length
- 3-pin and 4-pin SPI operation
- Master or slave modes
- Independent transmit and receive shift registers
- Separate transmit and receive buffer registers
- Selectable UCLK polarity and phase control
- Programmable UCLK frequency in master mode
- Independent interrupt capability for receive and transmit

Figure 18–1 shows the USART when configured for SPI mode.

Figure 18–1. USART Block Diagram: SPI Mode



* See the device-specific data sheet for SFR locations.

18.2 USART Operation: SPI Mode

In SPI mode, serial data is transmitted and received by multiple devices using a shared clock provided by the master. An additional pin, STE, is provided as to enable a device to receive and transmit data and is controlled by the master.

Three or four signals are used for SPI data exchange:

- SIMO Slave in, master out
Master mode: SIMO is the data output line.
Slave mode: SIMO is the data input line.
- SOMI Slave out, master in
Master mode: SOMI is the data input line.
Slave mode: SOMI is the data output line.
- UCLK USART SPI clock
Master mode: UCLK is an output.
Slave mode: UCLK is an input.
- STE Slave transmit enable. Used in 4-pin mode to allow multiple masters on a single bus. Not used in 3-pin mode.
4-Pin master mode:
When STE is high, SIMO and UCLK operate normally.
When STE is low, SIMO and UCLK are set to the input direction.
4-pin slave mode:
When STE is high, RX/TX operation of the slave is disabled and SOMI is forced to the input direction.
When STE is low, RX/TX operation of the slave is enabled and SOMI operates normally.

18.2.1 USART Initialization and Reset

The USART is reset by a PUC or by the SWRST bit. After a PUC, the SWRST bit is automatically set, keeping the USART in a reset condition. When set, the SWRST bit resets the URXIE_x, UTXIE_x, URXIFG_x, OE, and FE bits and sets the UTXIFG_x flag. The USPIE_x bit is not altered by SWRST. Clearing SWRST releases the USART for operation. See also chapter 17.

Note: Initializing or Reconfiguring the USART Module

The required USART initialization/reconfiguration process is:

- 1) Set SWRST (`BIS.B #SWRST, &UxCTL`)
- 2) Initialize all USART registers with SWRST=1 (including UxCTL)
- 3) Enable USART module via the MEx SFRs (USPIE_x)
- 4) Clear SWRST via software (`BIC.B #SWRST, &UxCTL`)
- 5) Enable interrupts (optional) via the IEx SFRs (URXIE_x and/or UTXIE_x)

Failure to follow this process may result in unpredictable USART behavior.

18.2.2 Master Mode

Figure 18–2. USART Master and External Slave

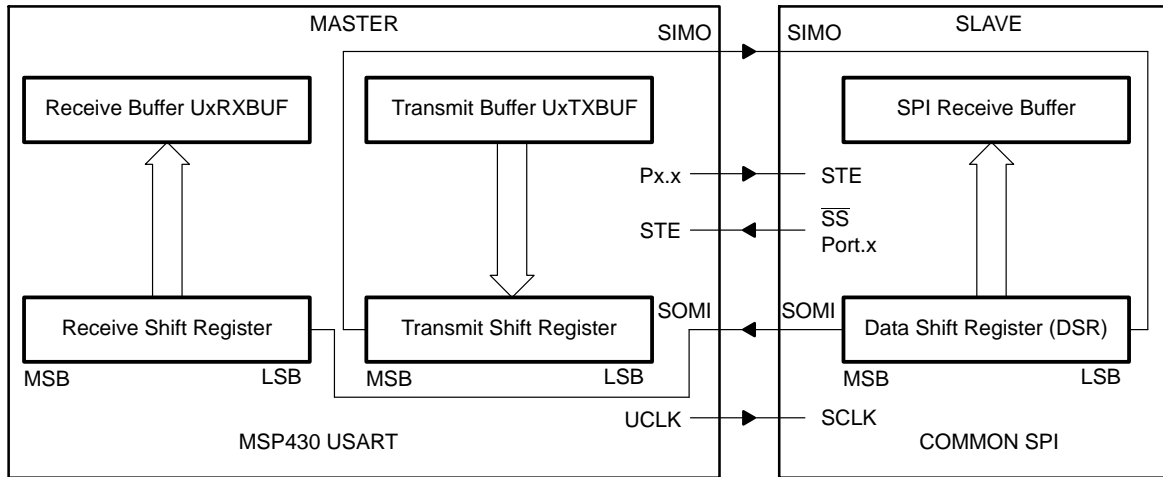


Figure 18–2 shows the USART as a master in both 3-pin and 4-pin configurations. The USART initiates a data transfer when data is moved to the transmit data buffer UxTXBUF. The UxTXBUF data is moved to the TX shift register when the TX shift register is empty, initiating data transfer on SIMO starting with the most significant bit. Data on SOMI is shifted into the receive shift register on the opposite clock edge, starting with the most significant bit. When the character is received, the receive data is moved from the RX shift register to the received data buffer UxRXBUF and the receive interrupt flag, URXIFGx, is set, indicating the RX/TX operation is complete.

A set transmit interrupt flag, UTXIFGx, indicates that data has moved from UxTXBUF to the TX shift register and UxTXBUF is ready for new data. It does not indicate RX/TX completion. In master mode, the completion of an active transmission is indicated by a set transmitter empty bit TXEPT = 1.

To receive data into the USART in master mode, data must be written to UxTXBUF because receive and transmit operations operate concurrently.

Four-Pin SPI Master Mode

In 4-pin master mode, STE is used to prevent conflicts with another master. The master operates normally when STE is high. When STE is low:

- SIMO and UCLK are set to inputs and no longer drive the bus
- The error bit FE is set indicating a communication integrity violation to be handled by the user

A low STE signal does not reset the USART module. The STE input signal is not used in 3-pin master mode.

18.2.3 Slave Mode

Figure 18–3. USART Slave and External Master

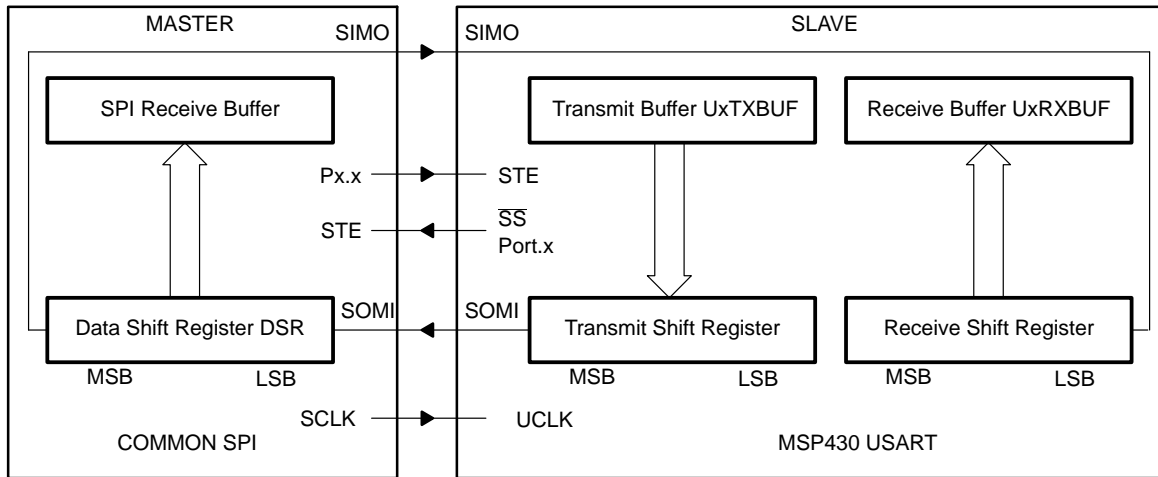


Figure 18–3 shows the USART as a slave in both 3-pin and 4-pin configurations. UCLK is used as the input for the SPI clock and must be supplied by the external master. The data transfer rate is determined by this clock and not by the internal baud rate generator. Data written to UxTXBUF and moved to the TX shift register before the start of UCLK is transmitted on SOMI. Data on SIMO is shifted into the receive shift register on the opposite edge of UCLK and moved to UxRXBUF when the set number of bits are received. When data is moved from the RX shift register to UxRXBUF, the URXIFGx interrupt flag is set, indicating that data has been received. The overrun error bit, OE, is set when the previously received data is not read from UxRXBUF before new data is moved to UxRXBUF.

Four-Pin SPI Slave Mode

In 4-pin slave mode, STE is used by the slave to enable the transmit and receive operations and is provided by the SPI master. When STE is low, the slave operates normally. When STE is high:

- Any receive operation in progress on SIMO is halted
- SOMI is set to the input direction

A high STE signal does not reset the USART module. The STE input signal is not used in 3-pin slave mode.

18.2.4 SPI Enable

The SPI transmit/receive enable bit USPIEx enables or disables the USART in SPI mode. When USPIEx = 0, the USART stops operation after the current transfer completes, or immediately if no operation is active. A PUC or set SWRST bit disables the USART immediately and any active transfer is terminated.

Transmit Enable

When USPIEx = 0, any further write to UxTXBUF does not transmit. Data written to UxTXBUF begin to transmit when USPIEx = 1 and the BRCLK source is active. Figure 18–4 and Figure 18–5 show the transmit enable state diagrams.

Figure 18–4. Master Mode Transmit Enable

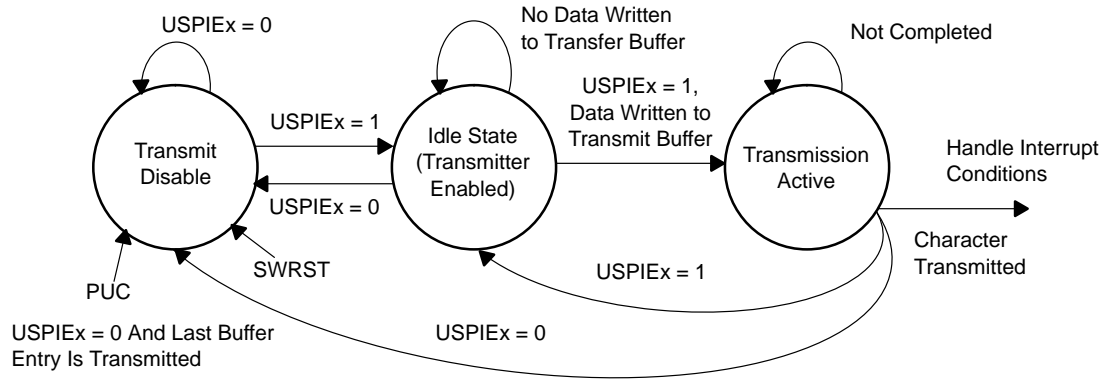
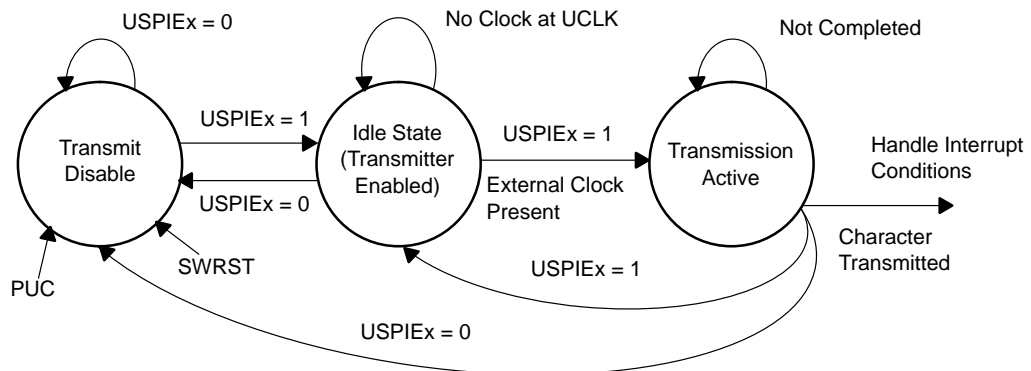


Figure 18–5. Slave Transmit Enable State Diagram



Receive Enable

The SPI receive enable state diagrams are shown in Figure 18–6 and Figure 18–7. When USPIEx = 0, UCLK is disabled from shifting data into the RX shift register.

Figure 18–6. SPI Master Receive-Enable State Diagram

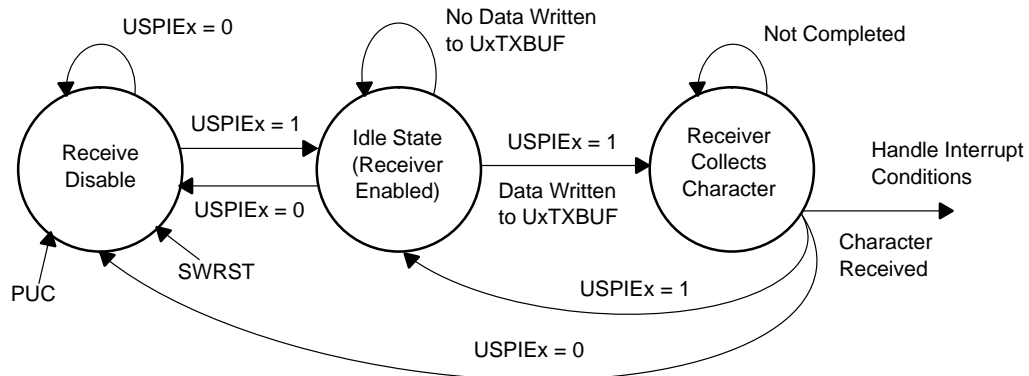
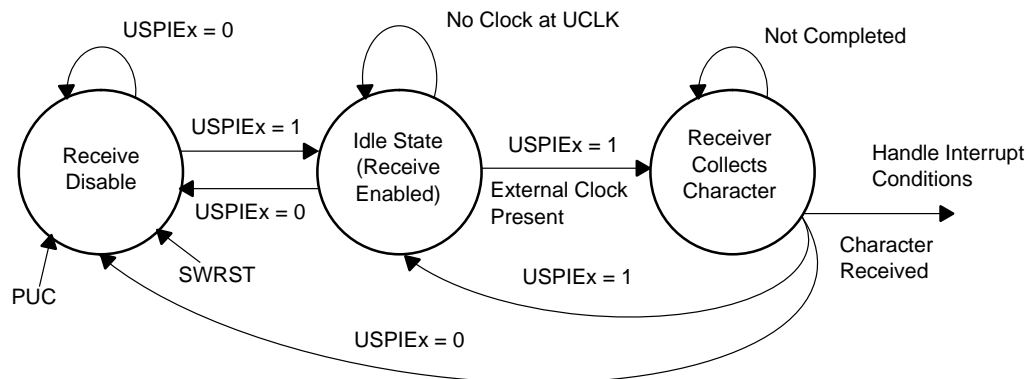


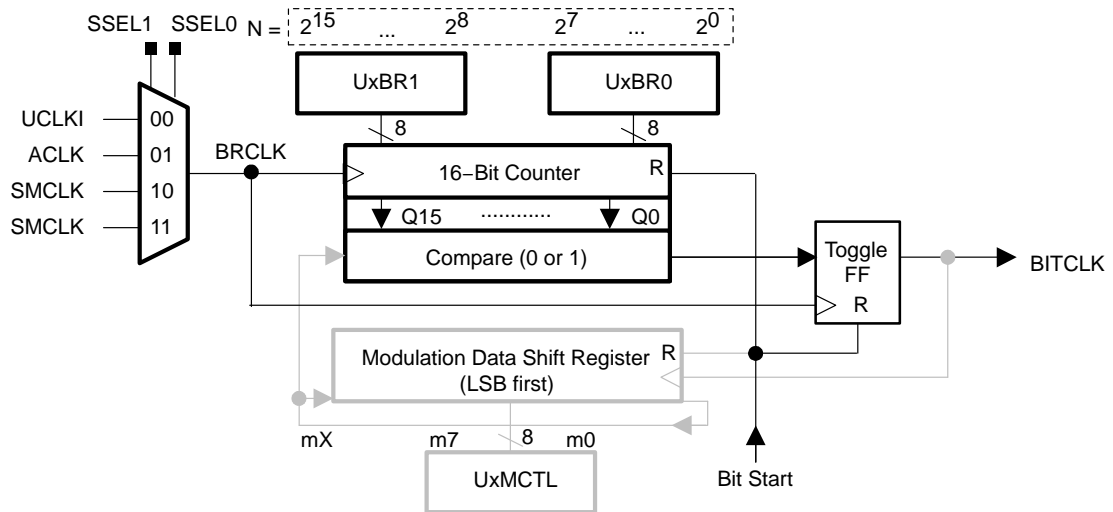
Figure 18–7. SPI Slave Receive-Enable State Diagram



18.2.5 Serial Clock Control

UCLK is provided by the master on the SPI bus. When MM = 1, BITCLK is provided by the USART baud rate generator on the UCLK pin as shown in Figure 18–8. When MM = 0, the USART clock is provided on the UCLK pin by the master and, the baud rate generator is not used and the SSELx bits are “don’t care”. The SPI receiver and transmitter operate in parallel and use the same clock source for data transfer.

Figure 18–8. SPI Baud Rate Generator



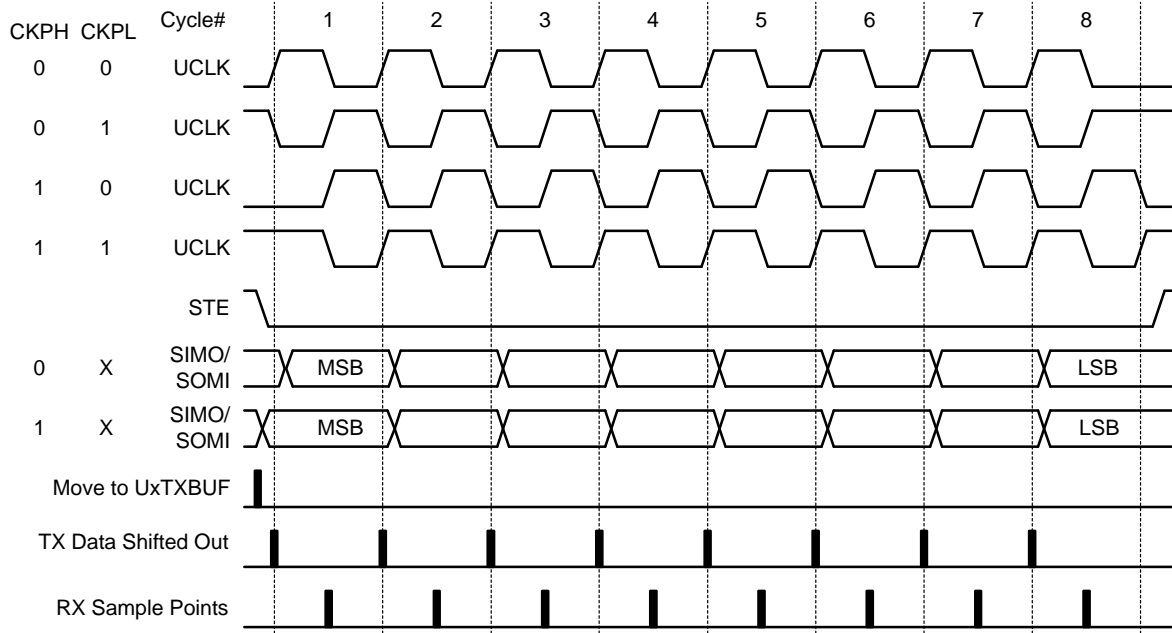
The 16-bit value of UxBR0+UxBR1 is the division factor of the USART clock source, BRCLK. The maximum baud rate that can be generated in master mode is BRCLK/2. The maximum baud rate that can be generated in slave mode is BRCLK. The modulator in the USART baud rate generator is not used for SPI mode and is recommended to be set to 000h. The UCLK frequency is given by:

$$\text{Baud rate} = \frac{BRCLK}{UxBR} \text{ with } UxBR = [UxBR1, UxBR0]$$

Serial Clock Polarity and Phase

The polarity and phase of UCLK are independently configured via the CKPL and CKPH control bits of the USART. Timing for each case is shown in Figure 18–9.

Figure 18–9. USART SPI Timing



18.2.6 SPI Interrupts

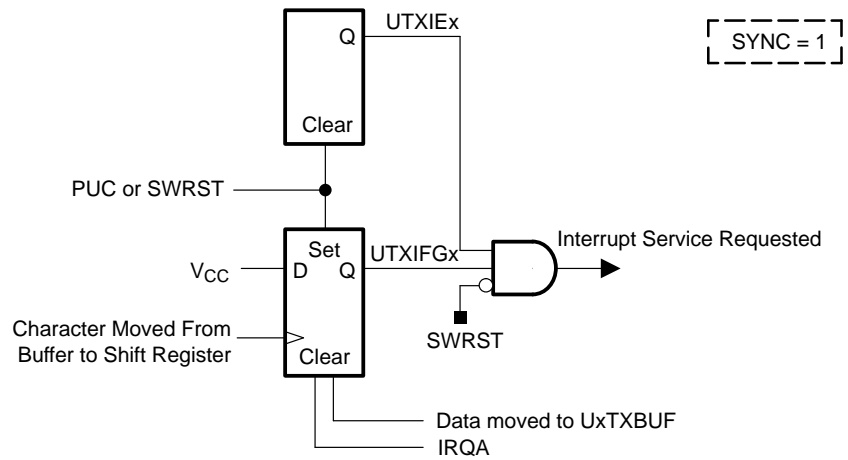
The USART has one interrupt vector for transmission and one interrupt vector for reception.

SPI Transmit Interrupt Operation

The UTXIFGx interrupt flag is set by the transmitter to indicate that UxTXBUF is ready to accept another character. An interrupt request is generated if UTXIEx and GIE are also set. UTXIFGx is automatically reset if the interrupt request is serviced or if a character is written to UxTXBUF.

UTXIFGx is set after a PUC or when SWRST = 1. UTXIEx is reset after a PUC or when SWRST = 1. The operation is shown in Figure 18–10.

Figure 18–10. Transmit Interrupt Operation



Note: Writing to UxTXBUF in SPI Mode
 Data written to UxTXBUF when UTXIFGx = 0 and USPIEx = 1 may result in erroneous data transmission.

SPI Receive Interrupt Operation

The URXIFGx interrupt flag is set each time a character is received and loaded into UxRXBUF as shown in Figure 18–11 and Figure 18–12. An interrupt request is generated if URXIE_x and GIE are also set. URXIFG_x and URXIE_x are reset by a system reset PUC signal or when SWRST = 1. URXIFG_x is automatically reset if the pending interrupt is served or when UxRXBUF is read.

Figure 18–11. Receive Interrupt Operation

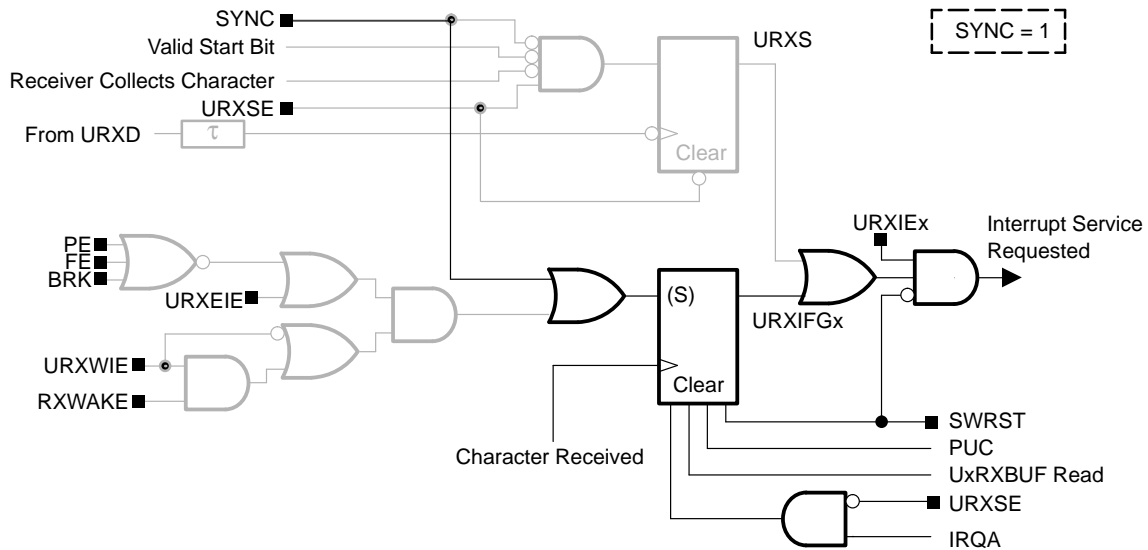
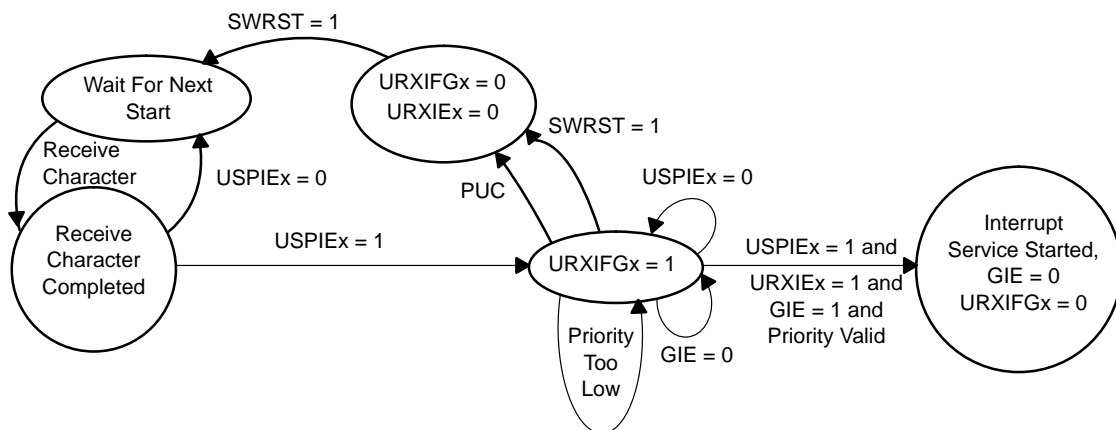


Figure 18–12. Receive Interrupt State Diagram



18.3 USART Registers: SPI Mode

Table 18–1 lists the registers for all devices implementing a USART module. Table 18–2 applies only to devices with a second USART module, USART1.

Table 18–1. USART0 Control and Status Registers

Register	Short Form	Register Type	Address	Initial State
USART control register	U0CTL	Read/write	070h	001h with PUC
Transmit control register	U0TCTL	Read/write	071h	001h with PUC
Receive control register	U0RCTL	Read/write	072h	000h with PUC
Modulation control register	U0MCTL	Read/write	073h	Unchanged
Baud rate control register 0	U0BR0	Read/write	074h	Unchanged
Baud rate control register 1	U0BR1	Read/write	075h	Unchanged
Receive buffer register	U0RXBUF	Read	076h	Unchanged
Transmit buffer register	U0TXBUF	Read/write	077h	Unchanged
SFR module enable register 1	ME1	Read/write	004h	000h with PUC
SFR interrupt enable register 1	IE1	Read/write	000h	000h with PUC
SFR interrupt flag register 1	IFG1	Read/write	002h	082h with PUC

Table 18–2. USART1 Control and Status Registers

Register	Short Form	Register Type	Address	Initial State
USART control register	U1CTL	Read/write	078h	001h with PUC
Transmit control register	U1TCTL	Read/write	079h	001h with PUC
Receive control register	U1RCTL	Read/write	07Ah	000h with PUC
Modulation control register	U1MCTL	Read/write	07Bh	Unchanged
Baud rate control register 0	U1BR0	Read/write	07Ch	Unchanged
Baud rate control register 1	U1BR1	Read/write	07Dh	Unchanged
Receive buffer register	U1RXBUF	Read	07Eh	Unchanged
Transmit buffer register	U1TXBUF	Read/write	07Fh	Unchanged
SFR module enable register 2	ME2	Read/write	005h	000h with PUC
SFR interrupt enable register 2	IE2	Read/write	001h	000h with PUC
SFR interrupt flag register 2	IFG2	Read/write	003h	020h with PUC

Note: Modifying the SFR bits

To avoid modifying control bits for other modules, it is recommended to set or clear the IEx and IFGx bits using `BIS . B` or `BIC . B` instructions, rather than `MOV . B` or `CLR . B` instructions.

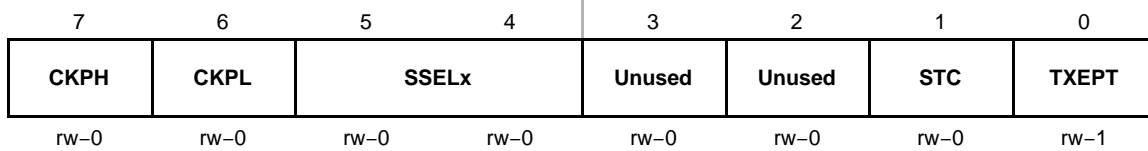
UxCTL, USART Control Register

7	6	5	4	3	2	1	0
Unused	Unused	I2C [†]	CHAR	LISTEN	SYNC	MM	SWRST
rw-0	rw-0	rw-0	rw-0	rw-0	rw-0	rw-0	rw-1

Unused	Bits 7-6	Unused
I2C[†]	Bit 5	I2C mode enable. This bit selects I2C or SPI operation when SYNC = 1. 0 SPI mode 1 I ² C mode
CHAR	Bit 4	Character length 0 7-bit data 1 8-bit data
LISTEN	Bit 3	Listen enable. The LISTEN bit selects the loopback mode 0 Disabled 1 Enabled. The transmit signal is internally fed back to the receiver
SYNC	Bit 2	Synchronous mode enable 0 UART mode 1 SPI mode
MM	Bit 1	Master mode 0 USART is slave 1 USART is master
SWRST	Bit 0	Software reset enable 0 Disabled. USART reset released for operation 1 Enabled. USART logic held in reset state

[†] Not implemented in 4xx devices.

UxTCTL, USART Transmit Control Register



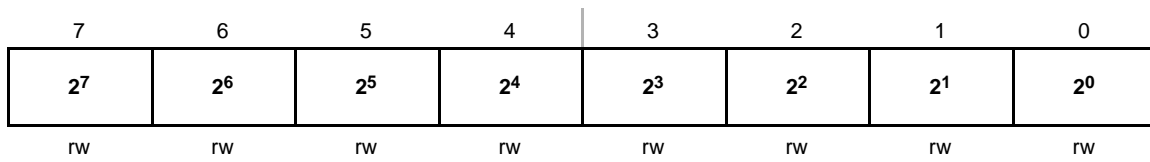
CKPH	Bit 7	<p>Clock phase select.</p> <p>0 Data is changed on the first UCLK edge and captured on the following edge.</p> <p>1 Data is captured on the first UCLK edge and changed on the following edge.</p>
CKPL	Bit 6	<p>Clock polarity select</p> <p>0 The inactive state is low.</p> <p>1 The inactive state is high.</p>
SSELx	Bits 5-4	<p>Source select. These bits select the BRCLK source clock.</p> <p>00 External UCLK (valid for slave mode only)</p> <p>01 ACLK (valid for master mode only)</p> <p>10 SMCLK (valid for master mode only)</p> <p>11 SMCLK (valid for master mode only)</p>
Unused	Bit 3	Unused
Unused	Bit 2	Unused
STC	Bit 1	<p>Slave transmit control.</p> <p>0 4-pin SPI mode: STE enabled.</p> <p>1 3-pin SPI mode: STE disabled.</p>
TXEPT	Bit 0	<p>Transmitter empty flag. The TXEPT flag is not used in slave mode.</p> <p>0 Transmission active and/or data waiting in UxTXBUF</p> <p>1 UxTXBUF and TX shift register are empty</p>

UxRCTL, USART Receive Control Register

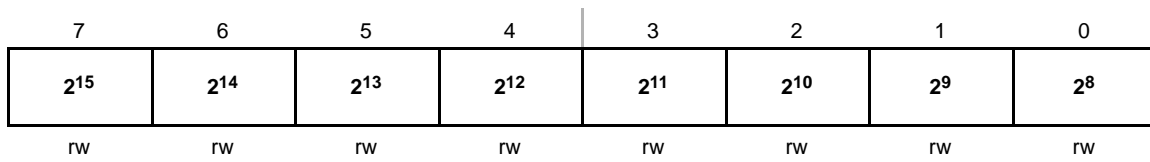
7	6	5	4	3	2	1	0
FE	Unused	OE	Unused	Unused	Unused	Unused	Unused
rw-0	rw-0	rw-0	rw-0	rw-0	rw-0	rw-0	rw-0

FE	Bit 7	Framing error flag. This bit indicates a bus conflict when MM = 1 and STC = 0. FE is unused in slave mode. 0 No conflict detected 1 A negative edge occurred on STE, indicating bus conflict
Undefined	Bit 6	Unused
OE	Bit 5	Overrun error flag. This bit is set when a character is transferred into UxRXBUF before the previous character was read. OE is automatically reset when UxRXBUF is read, when SWRST = 1, or can be reset by software. 0 No error 1 Overrun error occurred
Unused	Bit 4	Unused
Unused	Bit 3	Unused
Unused	Bit 2	Unused
Unused	Bit 1	Unused
Unused	Bit 0	Unused

UxBR0, USART Baud Rate Control Register 0

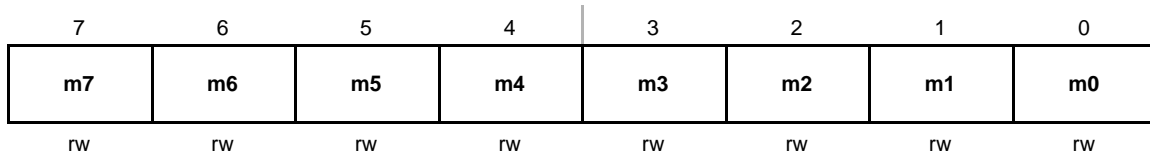


UxBR1, USART Baud Rate Control Register 1



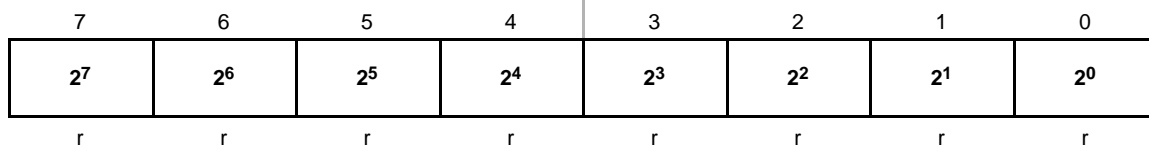
UxBRx The baud-rate generator uses the content of {UxBR1+UxBR0} to set the baud rate. Unpredictable SPI operation occurs if UxBR < 2.

UxMCTL, USART Modulation Control Register



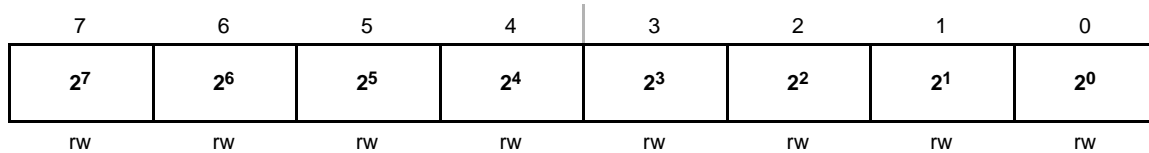
UxMCTLx Bits The modulation control register is not used for SPI mode and should be set to 000h.
 7-0

UxRXBUF, USART Receive Buffer Register



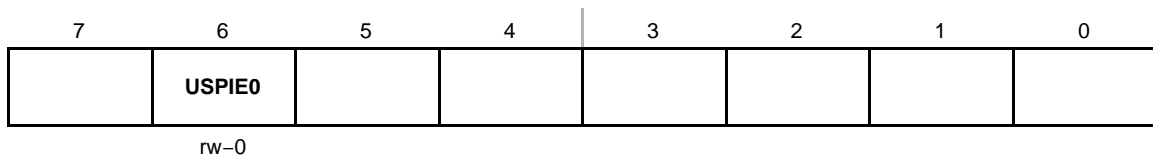
UxRXBUFx Bits 7–0 The receive-data buffer is user accessible and contains the last received character from the receive shift register. Reading UxRXBUF resets the OE bit and URXIFGx flag. In 7-bit data mode, UxRXBUF is LSB justified and the MSB is always reset.

UxTXBUF, USART Transmit Buffer Register



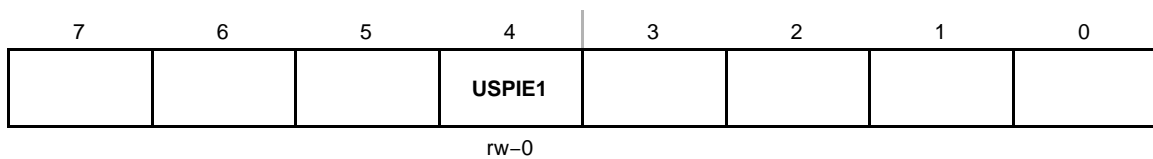
UxTXBUFx Bits 7–0 The transmit data buffer is user accessible and contains current data to be transmitted. When seven-bit character-length is used, the data should be MSB justified before being moved into UxTXBUF. Data is transmitted MSB first. Writing to UxTXBUF clears UTXIFGx.

ME1, Module Enable Register 1



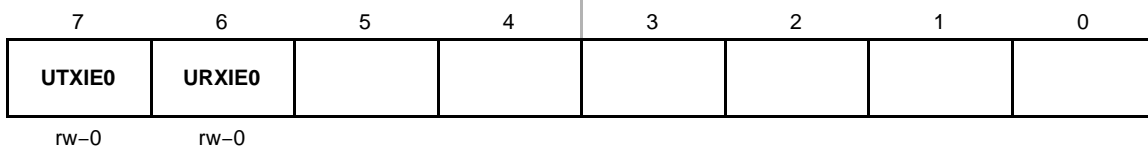
- Bit 7 This bit may be used by other modules. See device-specific data sheet.
- USPIE0** Bit 6 USART0 SPI enable. This bit enables the SPI mode for USART0.
 - 0 Module not enabled
 - 1 Module enabled
- Bits 5-0 These bits may be used by other modules. See device-specific data sheet.

ME2, Module Enable Register 2



- Bits 7-5 These bits may be used by other modules. See device-specific data sheet.
- USPIE1** Bit 4 USART1 SPI enable. This bit enables the SPI mode for USART1.
 - 0 Module not enabled
 - 1 Module enabled
- Bits 3-0 These bits may be used by other modules. See device-specific data sheet.

IE1, Interrupt Enable Register 1

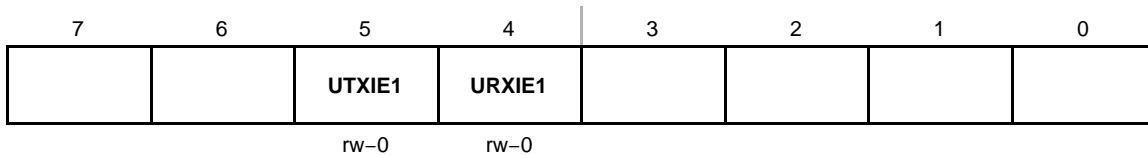


- UTXIE0** Bit 7 USART0 transmit interrupt enable. This bit enables the UTXIFG0 interrupt.
 0 Interrupt not enabled
 1 Interrupt enabled

- URXIE0** Bit 6 USART0 receive interrupt enable. This bit enables the URXIFG0 interrupt.
 0 Interrupt not enabled
 1 Interrupt enabled

- Bits 5-0 These bits may be used by other modules. See device-specific data sheet.

IE2, Interrupt Enable Register 2



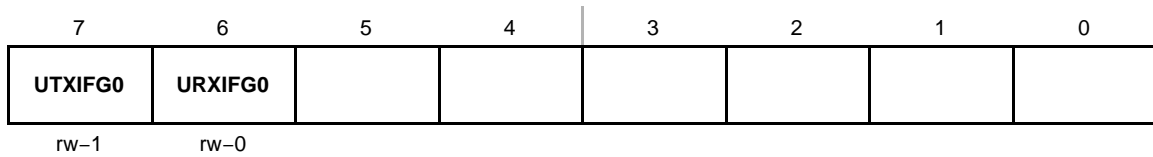
- Bits 7-6 These bits may be used by other modules. See device-specific data sheet.

- UTXIE1** Bit 5 USART1 transmit interrupt enable. This bit enables the UTXIFG1 interrupt.
 0 Interrupt not enabled
 1 Interrupt enabled

- URXIE1** Bit 4 USART1 receive interrupt enable. This bit enables the URXIFG1 interrupt.
 0 Interrupt not enabled
 1 Interrupt enabled

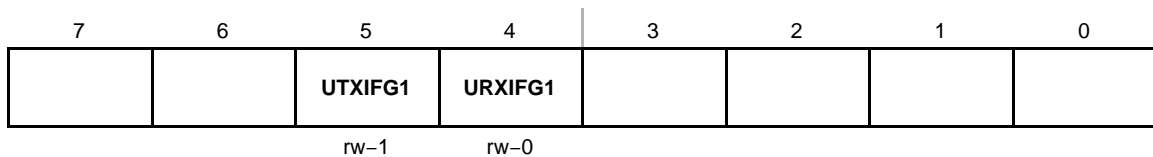
- Bits 3-0 These bits may be used by other modules. See device-specific data sheet.

IFG1, Interrupt Flag Register 1



- UTXIFG0** Bit 7 USART0 transmit interrupt flag. UTXIFG0 is set when U0TXBUF is empty.
 0 No interrupt pending
 1 Interrupt pending
- URXIFG0** Bit 6 USART0 receive interrupt flag. URXIFG0 is set when U0RXBUF has received a complete character.
 0 No interrupt pending
 1 Interrupt pending
- Bits 5-0 These bits may be used by other modules. See device-specific data sheet.

IFG2, Interrupt Flag Register 2



- Bits 7-6 These bits may be used by other modules. See device-specific data sheet.
- UTXIFG1** Bit 5 USART1 transmit interrupt flag. UTXIFG1 is set when U1TXBUF is empty.
 0 No interrupt pending
 1 Interrupt pending
- URXIFG1** Bit 4 USART1 receive interrupt flag. URXIFG1 is set when U1RXBUF has received a complete character.
 0 No interrupt pending
 1 Interrupt pending
- Bits 3-0 These bits may be used by other modules. See device-specific data sheet.



Universal Serial Communication Interface, UART Mode

The universal serial communication interface (USCI) supports multiple serial communication modes with one hardware module. This chapter discusses the operation of the asynchronous UART mode.

Topic	Page
19.1 USCI Overview	19-2
19.2 USCI Introduction: UART Mode	19-3
19.3 USCI Operation: UART Mode	19-5
19.4 USCI Registers: UART Mode	19-27

19.1 USCI Overview

The universal serial communication interface (USCI) modules support multiple serial communication modes. Different USCI modules support different modes. Each different USCI module is named with a different letter. For example, USCI_A is different from USCI_B, etc. If more than one identical USCI module is implemented on one device, those modules are named with incrementing numbers. For example, if one device has two USCI_A modules, they are named USCI_A0 and USCI_A1. See the device-specific data sheet to determine which USCI modules, if any, are implemented on which devices.

The USCI_Ax modules support:

- UART mode
- Pulse shaping for IrDA communications
- Automatic baud rate detection for LIN communications
- SPI mode

The USCI_Bx modules support:

- I²C mode
- SPI mode

19.2 USCI Introduction: UART Mode

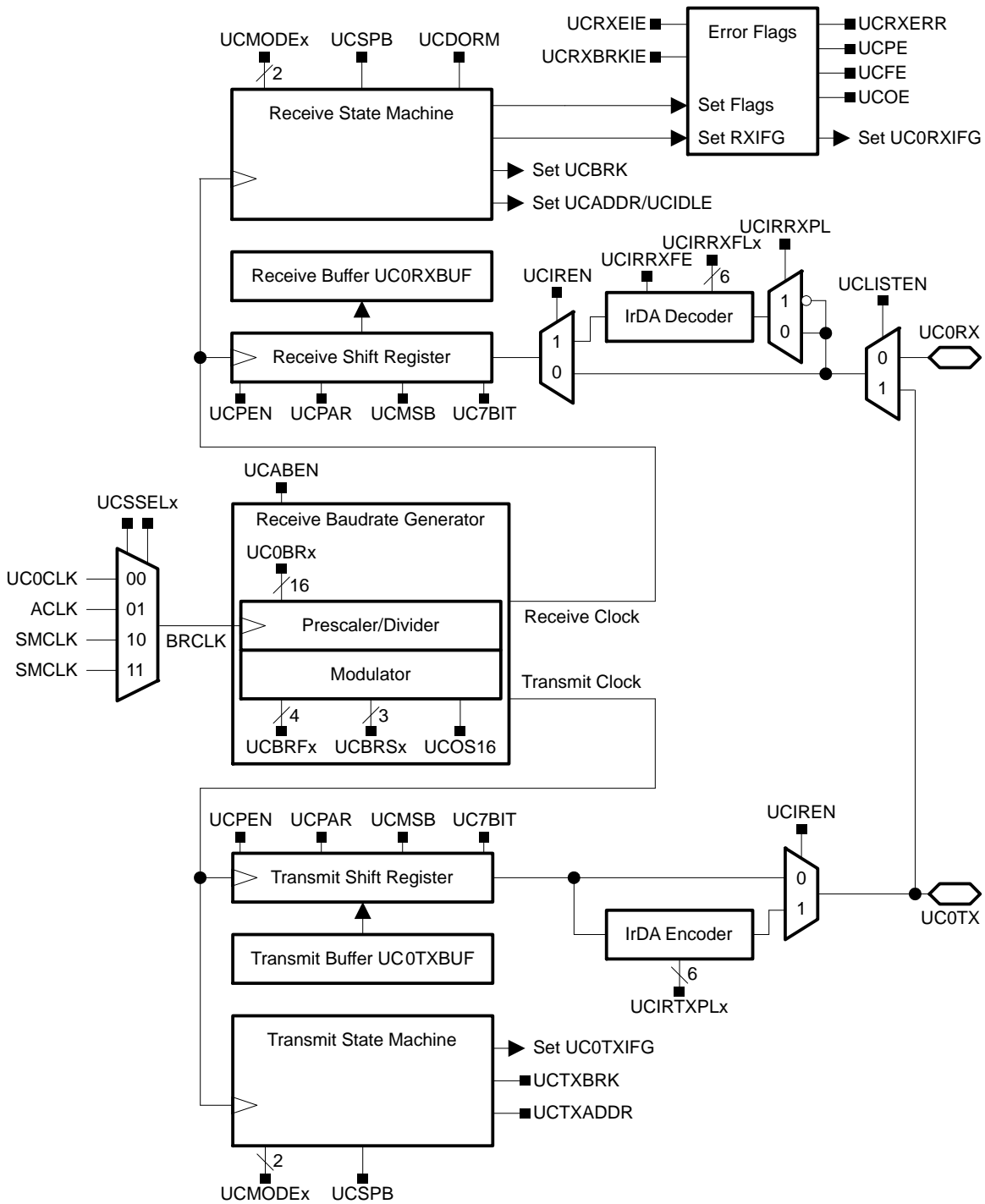
In asynchronous mode, the USCI_Ax modules connect the MSP430 to an external system via two external pins, UCAxRXD and UCAxTXD. UART mode is selected when the UCSYNC bit is cleared.

UART mode features include:

- 7- or 8-bit data with odd, even, or non-parity
- Independent transmit and receive shift registers
- Separate transmit and receive buffer registers
- LSB-first or MSB-first data transmit and receive
- Built-in idle-line and address-bit communication protocols for multiprocessor systems
- Receiver start-edge detection for auto-wake up from LPMx modes
- Programmable baud rate with modulation for fractional baud rate support
- Status flags for error detection and suppression
- Status flags for address detection
- Independent interrupt capability for receive and transmit

Figure 19–1 shows the USCI_Ax when configured for UART mode.

Figure 19–1. USCI_Ax Block Diagram: UART Mode (UCSYNC = 0)



19.3 USCI Operation: UART Mode

In UART mode, the USCI transmits and receives characters at a bit rate asynchronous to another device. Timing for each character is based on the selected baud rate of the USCI. The transmit and receive functions use the same baud rate frequency.

19.3.1 USCI Initialization and Reset

The USCI is reset by a PUC or by setting the UCSWRST bit. After a PUC, the UCSWRST bit is automatically set, keeping the USCI in a reset condition. When set, the UCSWRST bit resets the UCAxRXIE, UCAxTXIE, UCAxRXIFG, UCRXERR, UCBRK, UCPE, UCOE, UCFE, UCSTOE and UCBTOE bits and sets the UCAxTXIFG bit. Clearing UCSWRST releases the USCI for operation.

Note: Initializing or Re-Configuring the USCI Module

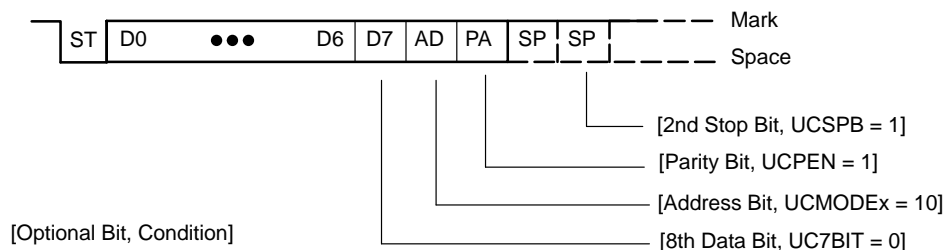
The recommended USCI initialization/re-configuration process is:

- 1) Set UCSWRST (`BIS.B #UCSWRST, &UCAxCTL1`)
- 2) Initialize all USCI registers with UCSWRST = 1 (including UCAxCTL1)
- 3) Configure ports.
- 4) Clear UCSWRST via software (`BIC.B #UCSWRST, &UCAxCTL1`)
- 5) Enable interrupts (optional) via UCAxRXIE and/or UCAxTXIE

19.3.2 Character Format

The UART character format, shown in Figure 19–2, consists of a start bit, seven or eight data bits, an even/odd/no parity bit, an address bit (address-bit mode), and one or two stop bits. The UCMSB bit controls the direction of the transfer and selects LSB or MSB first. LSB-first is typically required for UART communication.

Figure 19–2. Character Format



19.3.3 Asynchronous Communication Formats

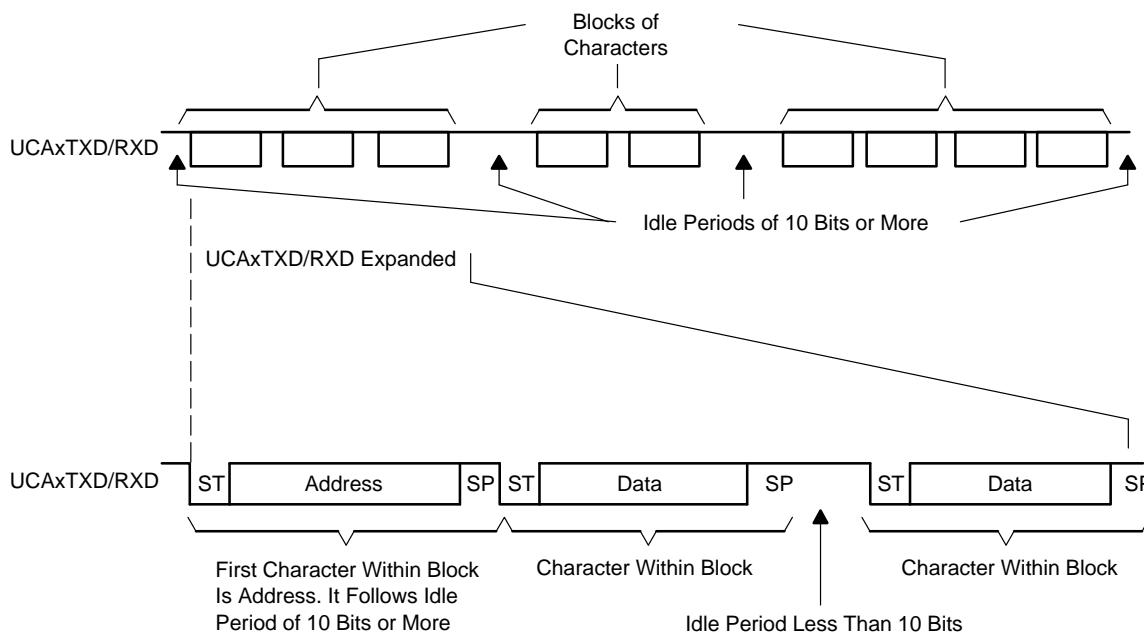
When two devices communicate asynchronously, no multiprocessor format is required for the protocol. When three or more devices communicate, the USCI supports the idle-line and address-bit multiprocessor communication formats.

Idle-Line Multiprocessor Format

When UCMODEx = 01, the idle-line multiprocessor format is selected. Blocks of data are separated by an idle time on the transmit or receive lines as shown in Figure 19–3. An idle receive line is detected when 10 or more continuous ones (marks) are received after the one or two stop bits of a character. The baud rate generator is switched off after reception of an idle line until the next start edge is detected. When an idle line is detected the UCIDLE bit is set. The UCIDLE bit is reset by software or by reading the UCAXRXBUF.

The first character received after an idle period is an address character. The UCIDLE bit is used as an address tag for each block of characters. In idle-line multiprocessor format, this bit is set when a received character is an address.

Figure 19–3. Idle-Line Format



The UCDORM bit is used to control data reception in the idle-line multiprocessor format. When UCDORM = 1, all non-address characters are assembled but not transferred into the UCAXRXBUF, and interrupts are not generated. When an address character is received, the character is transferred into UCAXRXBUF, UCAXRXIFG is set, and any applicable error flag is set when UCRXEIE = 1. When UCRXEIE = 0 and an address character is received but has a framing error or parity error, the character is not transferred into UCAXRXBUF and UCAXRXIFG is not set.

If an address is received, user software can validate the address and must reset UCDORM to continue receiving data. If UCDORM remains set, only address characters will be received. When UCDORM is cleared during the reception of a character the receive interrupt flag will be set after the reception completed. The UCDORM bit is not modified by the USCI hardware automatically.

For address transmission in idle-line multiprocessor format, a precise idle period can be generated by the USCI to generate address character identifiers on UCAXTXD. The double-buffered UCTXADDR flag indicates if the next character loaded into UCAXTXBUF is preceded by an idle line of 11 bits. UCTXADDR is automatically cleared when the start bit is generated.

Transmitting an Idle Frame

The following procedure sends out an idle frame to indicate an address character followed by associated data:

- 1) Set UCTXADDR, then write the address character to UCAXTXBUF. UCAXTXBUF must be ready for new data (UCAXTXIFG = 1).

This generates an idle period of exactly 11 bits followed by the address character. UCTXADDR is reset automatically when the address character is transferred from UCAXTXBUF into the shift register.

- 2) Write desired data characters to UCAXTXBUF. UCAXTXBUF must be ready for new data (UCAXTXIFG = 1).

The data written to UCAXTXBUF is transferred to the shift register and transmitted as soon as the shift register is ready for new data.

The idle-line time must not be exceeded between address and data transmission or between data transmissions. Otherwise, the transmitted data will be misinterpreted as an address.

Address-Bit Multiprocessor Format

When UCMODEx = 10, the address-bit multiprocessor format is selected. Each processed character contains an extra bit used as an address indicator shown in Figure 19–4. The first character in a block of characters carries a set address bit which indicates that the character is an address. The USCI UCADDR bit is set when a received character has its address bit set and is transferred to UCAxRXBUF. The UCADDR bit is reset by software or by reading the UCAxRXBUF.

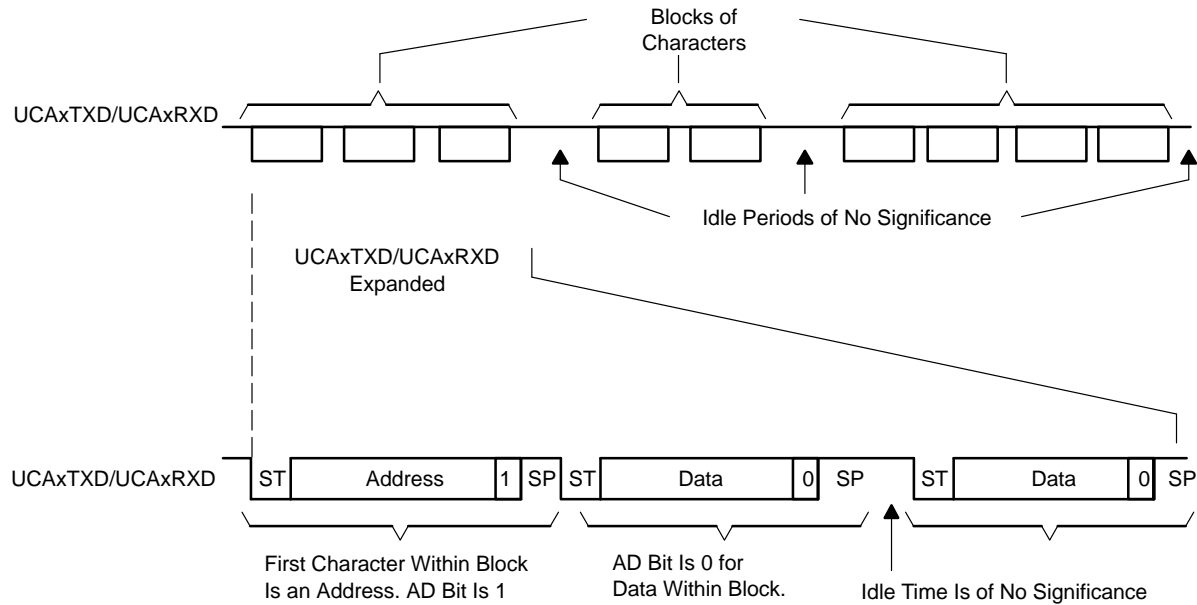
The UCDORM bit is used to control data reception in the address-bit multiprocessor format. When UCDORM is set, data characters with address bit = 0 are assembled by the receiver but are not transferred to UCAxRXBUF and no interrupts are generated. When a character containing a set address bit is received, the character is transferred into UCAxRXBUF, UCAxRXIFG is set, and any applicable error flag is set when UCRXEIE = 1. When UCRXEIE = 0 and a character containing a set address bit is received, but has a framing error or parity error, the character is not transferred into UCAxRXBUF and UCAxRXIFG is not set.

If an address is received, user software can validate the address and must reset UCDORM to continue receiving data. If UCDORM remains set, only address characters with address bit = 1 will be received. The UCDORM bit is not modified by the USCI hardware automatically.

When UCDORM = 0 all received characters will set the receive interrupt flag UCAxRXIFG. If UCDORM is cleared during the reception of a character the receive interrupt flag will be set after the reception is completed.

For address transmission in address-bit multiprocessor mode, the address bit of a character is controlled by the UCTXADDR bit. The value of the UCTXADDR bit is loaded into the address bit of the character transferred from UCAxTXBUF to the transmit shift register. UCTXADDR is automatically cleared when the start bit is generated.

Figure 19–4. Address-Bit Multiprocessor Format



Break Reception and Generation

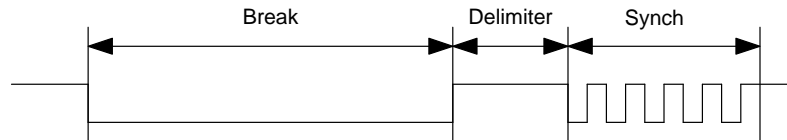
When $UCMODEx = 00, 01, \text{ or } 10$ the receiver detects a break when all data, parity, and stop bits are low, regardless of the parity, address mode, or other character settings. When a break is detected, the $UCBRK$ bit is set. If the break interrupt enable bit, $UCBRKIE$, is set, the receive interrupt flag $UCAxRXIFG$ will also be set. In this case, the value in $UCAxRXBUF$ is $0h$ since all data bits were zero.

To transmit a break set the $UCTXBRK$ bit, then write $0h$ to $UCAxTXBUF$. $UCAxTXBUF$ must be ready for new data ($UCAxTXIFG = 1$). This generates a break with all bits low. $UCTXBRK$ is automatically cleared when the start bit is generated.

19.3.4 Automatic Baud Rate Detection

When $UCMODEx = 11$ UART mode with automatic baud rate detection is selected. For automatic baud rate detection, a data frame is preceded by a synchronization sequence that consists of a break and a synch field. A break is detected when 11 or more continuous zeros (spaces) are received. If the length of the break exceeds 21 bit times the break timeout error flag $UCBTOE$ is set. The synch field follows the break as shown in Figure 19–5.

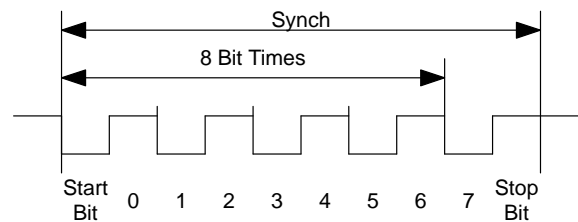
Figure 19–5. Auto Baud Rate Detection – Break/Synch Sequence



For LIN conformance the character format should be set to 8 data bits, LSB first, no parity and one stop bit. No address bit is available.

The synch field consists of the data 055h inside a byte field as shown in Figure 19–6. The synchronization is based on the time measurement between the first falling edge and the last falling edge of the pattern. The transmit baud rate generator is used for the measurement if automatic baud rate detection is enabled by setting $UCABDEN$. Otherwise, the pattern is received but not measured. The result of the measurement is transferred into the baud rate control registers $UCAxBR0$, $UCAxBR1$, and $UCAxMCTL$. If the length of the synch field exceeds the measurable time the synch timeout error flag $UCSTOE$ is set.

Figure 19–6. Auto Baud Rate Detection – Synch Field



The $UCDORM$ bit is used to control data reception in this mode. When $UCDORM$ is set, all characters are received but not transferred into the $UCAxRXBUF$, and interrupts are not generated. When a break/synch field is detected the $UCBRK$ flag is set. The character following the break/synch field is transferred into $UCAxRXBUF$ and the $UCAxRXIFG$ interrupt flag is set. Any applicable error flag is also set. If the $UCBRKIE$ bit is set, reception of the break/synch sets the $UCAxRXIFG$. The $UCBRK$ bit is reset by user software or by reading the receive buffer $UCAxRXBUF$.

When a break/synch field is received, user software must reset UCDORM to continue receiving data. If UCDORM remains set, only the character after the next reception of a break/synch field will be received. The UCDORM bit is not modified by the USCI hardware automatically.

When UCDORM = 0 all received characters will set the receive interrupt flag UCAXRXIFG. If UCDORM is cleared during the reception of a character the receive interrupt flag will be set after the reception is complete.

The counter used to detect the baud rate is limited to 07FFFh (32767) counts. This means the minimum baud rate detectable is 488 Baud in oversampling mode and 30 Baud in low-frequency mode.

The automatic baud rate detection mode can be used in a full-duplex communication system with some restrictions. The USCI can not transmit data while receiving the break/synch field and if a 0h byte with framing error is received any data transmitted during this time gets corrupted. The latter case can be discovered by checking the received data and the UCFE bit.

Transmitting a Break/Synch Field

The following procedure transmits a break/synch field:

- 1) Set UCTXBRK with UMODEx = 11.
- 2) Write 055h to UCAXTXBUF. UCAXTXBUF must be ready for new data (UCAXTXIFG = 1).

This generates a break field of 13 bits followed by a break delimiter and the synch character. The length of the break delimiter is controlled with the UCDELIMx bits. UCTXBRK is reset automatically when the synch character is transferred from UCAXTXBUF into the shift register.

- 3) Write desired data characters to UCAXTXBUF. UCAXTXBUF must be ready for new data (UCAXTXIFG = 1).

The data written to UCAXTXBUF is transferred to the shift register and transmitted as soon as the shift register is ready for new data.

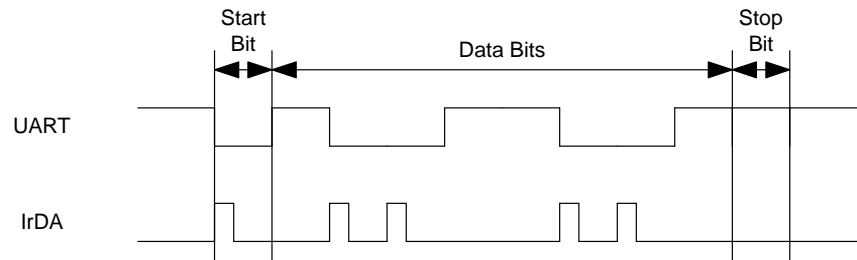
19.3.5 IrDA Encoding and Decoding

When UCIREN is set the IrDA encoder and decoder are enabled and provide hardware bit shaping for IrDA communication.

IrDA Encoding

The encoder sends a pulse for every zero bit in the transmit bit stream coming from the UART as shown in Figure 19–7. The pulse duration is defined by UCIRTXPLx bits specifying the number of half clock periods of the clock selected by UCIRTXCLK.

Figure 19–7. UART vs. IrDA Data Format



To set the pulse time of 3/16 bit period required by the IrDA standard the BITCLK16 clock is selected with UCIRTXCLK = 1 and the pulse length is set to 6 half clock cycles with UCIRTXPLx = 6 – 1 = 5.

When UCIRTXCLK = 0, the pulse length t_{PULSE} is based on BRCLK and is calculated as follows:

$$UCIRTXPLx = t_{PULSE} \times 2 \times f_{BRCLK} - 1$$

When the pulse length is based on BRCLK the prescaler UCBRx must to be set to a value greater or equal to 5.

IrDA Decoding

The decoder detects high pulses when UCIRRXPL = 0. Otherwise it detects low pulses. In addition to the analog deglitch filter an additional programmable digital filter stage can be enabled by setting UCIRRXFE. When UCIRRXFE is set, only pulses longer than the programmed filter length are passed. Shorter pulses are discarded. The equation to program the filter length UCIRRXFLx is:

$$UCIRRXFLx = (t_{PULSE} - t_{WAKE}) \times 2 \times f_{BRCLK} - 4$$

where:

t_{PULSE} : Minimum receive pulse width

t_{WAKE} : Wake time from any low power mode. Zero when MSP430 is in active mode.

19.3.6 Automatic Error Detection

Glitch suppression prevents the USCI from being accidentally started. Any pulse on UCAXRXD shorter than the deglitch time t_{τ} (approximately 150 ns) will be ignored. See the device-specific data sheet for parameters.

When a low period on UCAXRXD exceeds t_{τ} a majority vote is taken for the start bit. If the majority vote fails to detect a valid start bit the USCI halts character reception and waits for the next low period on UCAXRXD. The majority vote is also used for each bit in a character to prevent bit errors.

The USCI module automatically detects framing errors, parity errors, overrun errors, and break conditions when receiving characters. The bits UCFE, UCPE, UCOE, and UCBRK are set when their respective condition is detected. When the error flags UCFE, UCPE or UCOE are set, UCRXERR is also set. The error conditions are described in Table 19–1.

Table 19–1. Receive Error Conditions

Error Condition	Error Flag	Description
Framing error	UCFE	A framing error occurs when a low stop bit is detected. When two stop bits are used, both stop bits are checked for framing error. When a framing error is detected, the UCFE bit is set.
Parity error	UCPE	A parity error is a mismatch between the number of 1s in a character and the value of the parity bit. When an address bit is included in the character, it is included in the parity calculation. When a parity error is detected, the UCPE bit is set.
Receive overrun	UCOE	An overrun error occurs when a character is loaded into UCAXRXBUF before the prior character has been read. When an overrun occurs, the UCOE bit is set.
Break condition	UCBRK	When not using automatic baud rate detection, a break is detected when all data, parity, and stop bits are low. When a break condition is detected, the UCBRK bit is set. A break condition can also set the interrupt flag UCAXRXIFG if the break interrupt enable UCBRKIE bit is set.

When UCRXEIE = 0 and a framing error, or parity error is detected, no character is received into UCAXRXBUF. When UCRXEIE = 1, characters are received into UCAXRXBUF and any applicable error bit is set.

When UCFE, UCPE, UCOE, UCBRK, or UCRXERR is set, the bit remains set until user software resets it or UCAXRXBUF is read. UCOE must be reset by reading UCAXRXBUF. Otherwise it will not function properly. To detect overflows reliably the following flow is recommended. After a character was received and UCAXRXIFG is set, first read UCAXSTAT to check the error flags including the overflow flag UCOE. Read UCAXRXBUF next. This will clear all

error flags except UCOE if UCAXRXBUF was overwritten between the read access to UCAXSTAT and to UCAXRXBUF. So the UCOE flag should be checked after reading UCAXRXBUF to detect this condition. Note, in this case the UCRXERR flag is not set.

19.3.7 USCI Receive Enable

The USCI module is enabled by clearing the UCSWRST bit and the receiver is ready and in an idle state. The receive baud rate generator is in a ready state but is not clocked nor producing any clocks.

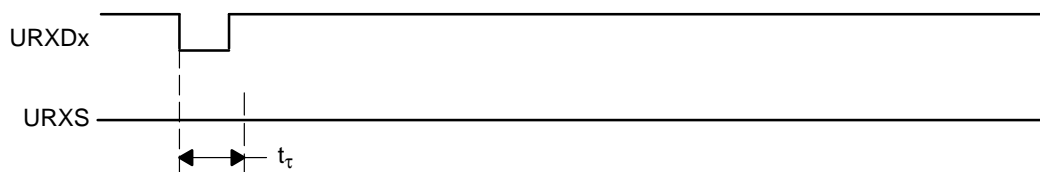
The falling edge of the start bit enables the baud rate generator and the UART state machine checks for a valid start bit. If no valid start bit is detected the UART state machine returns to its idle state and the baud rate generator is turned off again. If a valid start bit is detected a character will be received.

When the idle-line multiprocessor mode is selected with UCMODEx = 01 the UART state machine checks for an idle line after receiving a character. If a start bit is detected another character is received. Otherwise the UCIDLE flag is set after 10 ones are received and the UART state machine returns to its idle state and the baud rate generator is turned off.

19.3.8 Receive Data Glitch Suppression

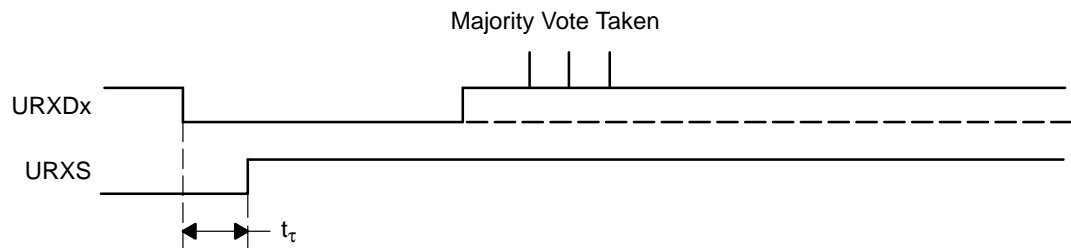
Glitch suppression prevents the USCI from being accidentally started. Any glitch on UCAXRXD shorter than the deglitch time t_{τ} (approximately 150 ns) will be ignored by the USCI and further action will be initiated as shown in Figure 19–8. See the device-specific data sheet for parameters.

Figure 19–8. Glitch Suppression, USCI Receive Not Started



When a glitch is longer than t_{τ} , or a valid start bit occurs on UCAXRXD, the USCI receive operation is started and a majority vote is taken as shown in Figure 19–9. If the majority vote fails to detect a start bit the USCI halts character reception.

Figure 19–9. Glitch Suppression, USCI Activated



19.3.9 USCI Transmit Enable

The USCI module is enabled by clearing the UCSWRST bit and the transmitter is ready and in an idle state. The transmit baud rate generator is ready but is not clocked nor producing any clocks.

A transmission is initiated by writing data to UCAXTXBUF. When this occurs, the baud rate generator is enabled and the data in UCAXTXBUF is moved to the transmit shift register on the next BITCLK after the transmit shift register is empty. UCAXTXIFG is set when new data can be written into UCAXTXBUF.

Transmission continues as long as new data is available in UCAXTXBUF at the end of the previous byte transmission. If new data is not in UCAXTXBUF when the previous byte has transmitted, the transmitter returns to its idle state and the baud rate generator is turned off.

19.3.10 UART Baud Rate Generation

The USCI baud rate generator is capable of producing standard baud rates from non-standard source frequencies. It provides two modes of operation selected by the UCOS16 bit.

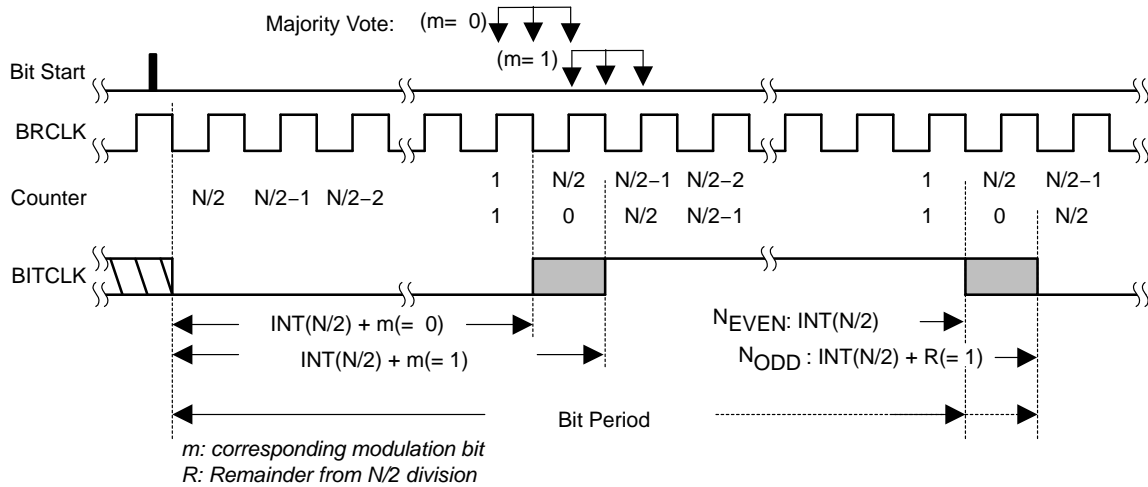
Low-Frequency Baud Rate Generation

The low-frequency mode is selected when UCOS16 = 0. This mode allows generation of baud rates from low frequency clock sources (e.g. 9600 baud from a 32768Hz crystal). By using a lower input frequency the power consumption of the module is reduced. Using this mode with higher frequencies and higher prescaler settings will cause the majority votes to be taken in an increasingly smaller window and thus decrease the benefit of the majority vote.

In low-frequency mode the baud rate generator uses one prescaler and one modulator to generate bit clock timing. This combination supports fractional divisors for baud rate generation. In this mode, the maximum USCI baud rate is one-third the UART source clock frequency BRCLK.

Timing for each bit is shown in Figure 19–10. For each bit received, a majority vote is taken to determine the bit value. These samples occur at the $N/2 - 1/2$, $N/2$, and $N/2 + 1/2$ BRCLK periods, where N is the number of BRCLKs per BITCLK.

Figure 19–10. BITCLK Baud Rate Timing with UCOS16 = 0



Modulation is based on the UCBSRx setting as shown in Table 19–2. A 1 in the table indicates that $m = 1$ and the corresponding BITCLK period is one BRCLK period longer than a BITCLK period with $m = 0$. The modulation wraps around after 8 bits but restarts with each new start bit.

Table 19–2. BITCLK Modulation Pattern

UCBSRx	Bit 0 (Start Bit)	Bit 1	Bit 2	Bit 3	Bit 4	Bit 5	Bit 6	Bit 7
0	0	0	0	0	0	0	0	0
1	0	1	0	0	0	0	0	0
2	0	1	0	0	0	1	0	0
3	0	1	0	1	0	1	0	0
4	0	1	0	1	0	1	0	1
5	0	1	1	1	0	1	0	1
6	0	1	1	1	0	1	1	1
7	0	1	1	1	1	1	1	1

Oversampling Baud Rate Generation

The oversampling mode is selected when UCOS16 = 1. This mode supports sampling a UART bit stream with higher input clock frequencies. This results in majority votes that are always 1/16 of a bit clock period apart. This mode also easily supports IrDA pulses with a 3/16 bit-time when the IrDA encoder and decoder are enabled.

This mode uses one prescaler and one modulator to generate the BITCLK16 clock that is 16 times faster than the BITCLK. An additional divider and modulator stage generates BITCLK from BITCLK16. This combination supports fractional divisions of both BITCLK16 and BITCLK for baud rate

generation. In this mode, the maximum USCI baud rate is 1/16 the UART source clock frequency BRCLK. When UCBRx is set to 0 or 1 the first prescaler and modulator stage is bypassed and BRCLK is equal to BITCLK16.

Modulation for BITCLK16 is based on the UCBRFx setting as shown in Table 19–3. A 1 in the table indicates that the corresponding BITCLK16 period is one BRCLK period longer than the periods m=0. The modulation restarts with each new bit timing.

Modulation for BITCLK is based on the UCBSx setting as shown in Table 19–2 as previously described.

Table 19–3. BITCLK16 Modulation Pattern

UCBRFx	Number of BITCLK16 Clocks After Last Falling BITCLK Edge															
	0	1	2	3	4	5	6	7	8	9	10	11	12	13	14	15
00h	0	0	0	0	0	0	0	0	0	0	0	0	0	0	0	0
01h	0	1	0	0	0	0	0	0	0	0	0	0	0	0	0	0
02h	0	1	0	0	0	0	0	0	0	0	0	0	0	0	0	1
03h	0	1	1	0	0	0	0	0	0	0	0	0	0	0	0	1
04h	0	1	1	0	0	0	0	0	0	0	0	0	0	0	1	1
05h	0	1	1	1	0	0	0	0	0	0	0	0	0	0	1	1
06h	0	1	1	1	0	0	0	0	0	0	0	0	0	1	1	1
07h	0	1	1	1	1	0	0	0	0	0	0	0	0	1	1	1
08h	0	1	1	1	1	0	0	0	0	0	0	0	1	1	1	1
09h	0	1	1	1	1	1	0	0	0	0	0	0	1	1	1	1
0Ah	0	1	1	1	1	1	0	0	0	0	0	1	1	1	1	1
0Bh	0	1	1	1	1	1	1	0	0	0	0	1	1	1	1	1
0Ch	0	1	1	1	1	1	1	0	0	0	1	1	1	1	1	1
0Dh	0	1	1	1	1	1	1	1	0	0	1	1	1	1	1	1
0Eh	0	1	1	1	1	1	1	1	0	1	1	1	1	1	1	1
0Fh	0	1	1	1	1	1	1	1	1	1	1	1	1	1	1	1

19.3.11 Setting a Baud Rate

For a given BRCLK clock source, the baud rate used determines the required division factor N:

$$N = \frac{f_{BRCLK}}{\text{Baudrate}}$$

The division factor N is often a non-integer value thus at least one divider and one modulator stage is used to meet the factor as closely as possible.

If N is equal or greater than 16 the oversampling baud rate generation mode can be chosen by setting UCOS16.

Low-Frequency Baud Rate Mode Setting

In the low-frequency mode, the integer portion of the divisor is realized by the prescaler:

$$\text{UCBRx} = \text{INT}(N)$$

and the fractional portion is realized by the modulator with the following nominal formula:

$$\text{UCBRSx} = \text{round}((N - \text{INT}(N)) \times 8)$$

Incrementing or decrementing the UCBRSx setting by one count may give a lower maximum bit error for any given bit. To determine if this is the case, a detailed error calculation must be performed for each bit for each UCBRSx setting.

Oversampling Baud Rate Mode Setting

In the oversampling mode the prescaler is set to:

$$\text{UCBRx} = \text{INT}(N/16).$$

and the first stage modulator is set to:

$$\text{UCBRFx} = \text{round}((N/16) - \text{INT}(N/16)) \times 16)$$

When greater accuracy is required, the UCBRSx modulator can also be implemented with values from 0 – 7. To find the setting that gives the lowest maximum bit error rate for any given bit, a detailed error calculation must be performed for all settings of UCBRSx from 0 – 7 with the initial UCBRFx setting and with the UCBRFx setting incremented and decremented by one.

19.3.12 Transmit Bit Timing

The timing for each character is the sum of the individual bit timings. Using the modulation features of the baud rate generator reduces the cumulative bit error. The individual bit error can be calculated using the following steps.

Low-Frequency Baud Rate Mode Bit Timing

In low-frequency mode, calculate the length of bit i $T_{\text{bit,TX}}[i]$ based on the UCBRx and UCBSx settings:

$$T_{\text{bit,TX}}[i] = \frac{1}{f_{\text{BRCLK}}} (\text{UCBRx} + m_{\text{UCBSx}}[i])$$

where:

$m_{\text{UCBSx}}[i]$: Modulation of bit i from Table 19–2

Oversampling Baud Rate Mode Bit Timing

In oversampling baud rate mode calculate the length of bit i $T_{\text{bit,TX}}[i]$ based on the baud rate generator UCBRx, UCBRFx and UCBSx settings:

$$T_{\text{bit,TX}}[i] = \frac{1}{f_{\text{BRCLK}}} \left((16 + m_{\text{UCBSx}}[i]) \cdot \text{UCBRx} + \sum_{j=0}^{15} m_{\text{UCBRFx}}[j] \right)$$

where:

$\sum_{j=0}^{15} m_{\text{UCBRFx}}[j]$: Sum of ones from the corresponding row in Table 19–3

$m_{\text{UCBSx}}[i]$: Modulation of bit i from Table 19–2

This results in an end-of-bit time $t_{\text{bit,TX}}[i]$ equal to the sum of all previous and the current bit times:

$$t_{\text{bit,TX}}[i] = \sum_{j=0}^i T_{\text{bit,TX}}[j]$$

To calculate bit error, this time is compared to the ideal bit time $t_{\text{bit,ideal,TX}}[i]$:

$$t_{\text{bit,ideal,TX}}[i] = \frac{1}{\text{Baudrate}} (i + 1)$$

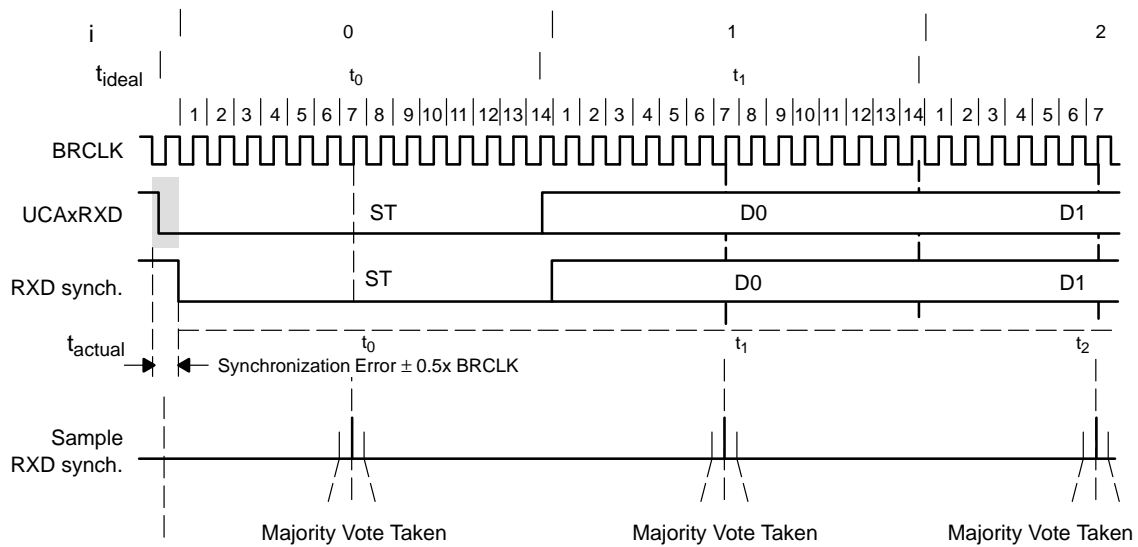
This results in an error normalized to one ideal bit time (1/baudrate):

$$\text{Error}_{\text{TX}}[i] = (t_{\text{bit,TX}}[i] - t_{\text{bit,ideal,TX}}[i]) \cdot \text{Baudrate} \cdot 100\%$$

19.3.13 Receive Bit Timing

Receive timing error consists of two error sources. The first is the bit-to-bit timing error similar to the transmit bit timing error. The second is the error between a start edge occurring and the start edge being accepted by the USCI module. Figure 19–11 shows the asynchronous timing errors between data on the UCAXRXD pin and the internal baud-rate clock. This results in an additional synchronization error. The synchronization error t_{SYNC} is between -0.5 BRCLKs and $+0.5 \text{ BRCLKs}$, independent of the selected baud rate generation mode.

Figure 19–11. Receive Error



The ideal sampling time $t_{\text{bit,ideal,RX}}[i]$ is in the middle of a bit period:

$$t_{\text{bit,ideal,RX}}[i] = \frac{1}{\text{Baudrate}} (i + 0.5)$$

The real sampling time $t_{\text{bit,RX}}[i]$ is equal to the sum of all previous bits according to the formulas shown in the transmit timing section, plus one half BITCLK for the current bit i , plus the synchronization error t_{SYNC} .

This results in the following $t_{\text{bit,RX}}[i]$ for the low-frequency baud rate mode

$$t_{\text{bit,RX}}[i] = t_{\text{SYNC}} + \sum_{j=0}^{i-1} T_{\text{bit,RX}}[j] + \frac{1}{f_{\text{BRCLK}}} \left(\text{INT} \left(\frac{1}{2} \text{UCBRx} \right) + m_{\text{UCBRsx}}[i] \right)$$

where:

$$T_{\text{bit,RX}}[i] = \frac{1}{f_{\text{BRCLK}}} (\text{UCBRx} + m_{\text{UCBRsx}}[i])$$

$m_{\text{UCBRsx}}[i]$: Modulation of bit i from Table 19–2

For the oversampling baud rate mode the sampling time $t_{\text{bit,RX}}[i]$ of bit i is calculated by:

$$t_{\text{bit,RX}}[i] = t_{\text{SYNC}} + \sum_{j=0}^{i-1} T_{\text{bit,RX}}[j] + \frac{1}{f_{\text{BRCLK}}} \left((8 + m_{\text{UCBRSx}}[i]) \cdot \text{UCBRx} + \sum_{j=0}^{7+m_{\text{UCBRSx}}[i]} m_{\text{UCBRFx}}[j] \right)$$

where:

$$T_{\text{bit,RX}}[i] = \frac{1}{f_{\text{BRCLK}}} \left((16 + m_{\text{UCBRSx}}[i]) \cdot \text{UCBRx} + \sum_{j=0}^{15} m_{\text{UCBRFx}}[j] \right)$$

$$\sum_{j=0}^{7+m_{\text{UCBRSx}}[i]} m_{\text{UCBRFx}}[j]: \quad \text{Sum of ones from columns } 0 - 7 + m_{\text{UCBRSx}}[i] \text{ from the corresponding row in Table 19-3}$$

$$m_{\text{UCBRSx}}[i]: \quad \text{Modulation of bit } i \text{ from Table 19-2}$$

This results in an error normalized to one ideal bit time (1/baudrate) according to the following formula:

$$\text{Error}_{\text{RX}}[i] = (t_{\text{bit,RX}}[i] - t_{\text{bit,ideal,RX}}[i]) \cdot \text{Baudrate} \cdot 100\%$$

19.3.14 Typical Baud Rates and Errors

Standard baud rate data for UCBRx, UCBRSx and UCBRFx are listed in Table 19-4 and Table 19-5 for a 32,768 Hz crystal sourcing ACLK and typical SMCLK frequencies. Please ensure that the selected BRCLK frequency does not exceed the device specific maximum USCI input frequency. Please refer to the device-specific data sheet.

The receive error is the accumulated time versus the ideal scanning time in the middle of each bit. The worst case error is given for the reception of an 8-bit character with parity and one stop bit including synchronization error.

The transmit error is the accumulated timing error versus the ideal time of the bit period. The worst case error is given for the transmission of an 8-bit character with parity and stop bit.

Table 19–4. Commonly Used Baud Rates, Settings, and Errors, UCOS16 = 0

BRCLK Frequency [Hz]	Baud Rate [Baud]	UCBRx	UCBRsx	UCBRFx	Max TX Error [%]	Max RX Error [%]	Max TX Error [%]	Max RX Error [%]
32,768	1200	27	2	0	-2.8	1.4	-5.9	2.0
32,768	2400	13	6	0	-4.8	6.0	-9.7	8.3
32,768	4800	6	7	0	-12.1	5.7	-13.4	19.0
32,768	9600	3	3	0	-21.1	15.2	-44.3	21.3
1,000,000	9600	104	1	0	-0.5	0.6	-0.9	1.2
1,000,000	19200	52	0	0	-1.8	0	-2.6	0.9
1,000,000	38400	26	0	0	-1.8	0	-3.6	1.8
1,000,000	57600	17	3	0	-2.1	4.8	-6.8	5.8
1,000,000	115200	8	6	0	-7.8	6.4	-9.7	16.1
1,048,576	9600	109	2	0	-0.2	0.7	-1.0	0.8
1,048,576	19200	54	5	0	-1.1	1.0	-1.5	2.5
1,048,576	38400	27	2	0	-2.8	1.4	-5.9	2.0
1,048,576	57600	18	1	0	-4.6	3.3	-6.8	6.6
1,048,576	115200	9	1	0	-1.1	10.7	-11.5	11.3
4,000,000	9600	416	6	0	-0.2	0.2	-0.2	0.4
4,000,000	19200	208	3	0	-0.2	0.5	-0.3	0.8
4,000,000	38400	104	1	0	-0.5	0.6	-0.9	1.2
4,000,000	57600	69	4	0	-0.6	0.8	-1.8	1.1
4,000,000	115200	34	6	0	-2.1	0.6	-2.5	3.1
4,000,000	230400	17	3	0	-2.1	4.8	-6.8	5.8
8,000,000	9600	833	2	0	-0.1	0	-0.2	0.1
8,000,000	19200	416	6	0	-0.2	0.2	-0.2	0.4
8,000,000	38400	208	3	0	-0.2	0.5	-0.3	0.8
8,000,000	57600	138	7	0	-0.7	0	-0.8	0.6
8,000,000	115200	69	4	0	-0.6	0.8	-1.8	1.1
8,000,000	230400	34	6	0	-2.1	0.6	-2.5	3.1
8,000,000	460800	17	3	0	-2.1	4.8	-6.8	5.8
12,000,000	9600	1250	0	0	0	0	-0.05	0.05
12,000,000	19200	625	0	0	0	0	-0.2	0
12,000,000	38400	312	4	0	-0.2	0	-0.2	0.2
12,000,000	57600	208	2	0	-0.5	0.2	-0.6	0.5
12,000,000	115200	104	1	0	-0.5	0.6	-0.9	1.2
12,000,000	230400	52	0	0	-1.8	0	-2.6	0.9
12,000,000	460800	26	0	0	-1.8	0	-3.6	1.8

Table 19–4. Commonly Used Baud Rates, Settings, and Errors, UCOS16 = 0 (Continued)

BRCLK Frequency [Hz]	Baud Rate [Baud]	UCBRx	UCBRsx	UCBRFx	Max TX Error [%]		Max RX Error [%]	
16,000,000	9600	1666	6	0	-0.05	0.05	-0.05	0.1
16,000,000	19200	833	2	0	-0.1	0.05	-0.2	0.1
16,000,000	38400	416	6	0	-0.2	0.2	-0.2	0.4
16,000,000	57600	277	7	0	-0.3	0.3	-0.5	0.4
16,000,000	115200	138	7	0	-0.7	0	-0.8	0.6
16,000,000	230400	69	4	0	-0.6	0.8	-1.8	1.1
16,000,000	460800	34	6	0	-2.1	0.6	-2.5	3.1

Table 19–5. Commonly Used Baud Rates, Settings, and Errors, UCOS16 = 1

BRCLK frequency [Hz]	Baud Rate [Baud]	UCBRx	UCBRsx	UCBRFx	Max. TX Error [%]		Max. RX Error [%]	
1,000,000	9600	6	0	8	-1.8	0	-2.2	0.4
1,000,000	19200	3	0	4	-1.8	0	-2.6	0.9
1,048,576	9600	6	0	13	-2.3	0	-2.2	0.8
1,048,576	19200	3	1	6	-4.6	3.2	-5.0	4.7
4,000,000	9600	26	0	1	0	0.9	0	1.1
4,000,000	19200	13	0	0	-1.8	0	-1.9	0.2
4,000,000	38400	6	0	8	-1.8	0	-2.2	0.4
4,000,000	57600	4	5	3	-3.5	3.2	-1.8	6.4
4,000,000	115200	2	3	2	-2.1	4.8	-2.5	7.3
8,000,000	9600	52	0	1	-0.4	0	-0.4	0.1
8,000,000	19200	26	0	1	0	0.9	0	1.1
8,000,000	38400	13	0	0	-1.8	0	-1.9	0.2
8,000,000	57600	8	0	11	0	0.88	0	1.6
8,000,000	115200	4	5	3	-3.5	3.2	-1.8	6.4
8,000,000	230400	2	3	2	-2.1	4.8	-2.5	7.3
12,000,000	9600	78	0	2	0	0	-0.05	0.05
12,000,000	19200	39	0	1	0	0	0	0.2
12,000,000	38400	19	0	8	-1.8	0	-1.8	0.1
12,000,000	57600	13	0	0	-1.8	0	-1.9	0.2
12,000,000	115200	6	0	8	-1.8	0	-2.2	0.4
12,000,000	230400	3	0	4	-1.8	0	-2.6	0.9
16,000,000	9600	104	0	3	0	0.2	0	0.3
16,000,000	19200	52	0	1	-0.4	0	-0.4	0.1
16,000,000	38400	26	0	1	0	0.9	0	1.1
16,000,000	57600	17	0	6	0	0.9	-0.1	1.0
16,000,000	115200	8	0	11	0	0.9	0	1.6
16,000,000	230400	4	5	3	-3.5	3.2	-1.8	6.4
16,000,000	460800	2	3	2	-2.1	4.8	-2.5	7.3

19.3.15 Using the USCI Module in UART Mode with Low-Power Modes

The USCI module provides automatic clock activation for SMCLK for use with low-power modes. When SMCLK is the USCI clock source, and is inactive because the device is in a low-power mode, the USCI module automatically activates it when needed, regardless of the control-bit settings for the clock source. The clock remains active until the USCI module returns to its idle condition. After the USCI module returns to the idle condition, control of the clock source reverts to the settings of its control bits. Automatic clock activation is not provided for ACLK.

When the USCI module activates an inactive clock source, the clock source becomes active for the whole device and any peripheral configured to use the clock source may be affected. For example, a timer using SMCLK will increment while the USCI module forces SMCLK active.

19.3.16 USCI Interrupts

The USCI has one interrupt vector for transmission and one interrupt vector for reception.

USCI Transmit Interrupt Operation

The UCAXTXIFG interrupt flag is set by the transmitter to indicate that UCAXTXBUF is ready to accept another character. An interrupt request is generated if UCAXTXIE and GIE are also set. UCAXTXIFG is automatically reset if a character is written to UCAXTXBUF.

UCAXTXIFG is set after a PUC or when UCSWRST = 1. UCAXTXIE is reset after a PUC or when UCSWRST = 1.

USCI Receive Interrupt Operation

The UCAXRXIFG interrupt flag is set each time a character is received and loaded into UCAXRXBUF. An interrupt request is generated if UCAXRXIE and GIE are also set. UCAXRXIFG and UCAXRXIE are reset by a system reset PUC signal or when UCSWRST = 1. UCAXRXIFG is automatically reset when UCAXRXBUF is read.

Additional interrupt control features include:

- When UCAXRXEIE = 0 erroneous characters will not set UCAXRXIFG.
- When UCDORM = 1, non-address characters will not set UCAXRXIFG in multiprocessor modes. In plain UART mode no characters will set UCAXRXIFG.
- When UCBRKIE = 1 a break condition will set the UCBRK bit and the UCAXRXIFG flag.

USCI Interrupt Usage

USCI_Ax and USCI_Bx share the same interrupt vectors. The receive interrupt flags UCAxRXIFG and UCBxRXIFG are routed to one interrupt vector, the transmit interrupt flags UCAxTXIFG and UCBxTXIFG share another interrupt vector.

Shared Interrupt Vectors Software Example

The following software example shows an extract of an interrupt service routine to handle data receive interrupts from USCI_A0 in either UART or SPI mode and USCI_B0 in SPI mode.

```
USCIA0_RX_USCIB0_RX_ISR
    BIT.B #UCA0RXIFG, &IFG2 ; USCI_A0 Receive Interrupt?
    JNZ   USCIA0_RX_ISR
USCIB0_RX_ISR?
    ; Read UCB0RXBUF (clears UCB0RXIFG)
    ...
    RETI
USCIA0_RX_ISR
    ; Read UCA0RXBUF (clears UCA0RXIFG)
    ...
    RETI
```

The following software example shows an extract of an interrupt service routine to handle data transmit interrupts from USCI_A0 in either UART or SPI mode and USCI_B0 in SPI mode.

```
USCIA0_TX_USCIB0_TX_ISR
    BIT.B #UCA0TXIFG, &IFG2 ; USCI_A0 Transmit Interrupt?
    JNZ   USCIA0_TX_ISR
USCIB0_TX_ISR
    ; Write UCB0TXBUF (clears UCB0TXIFG)
    ...
    RETI
USCIA0_TX_ISR
    ; Write UCA0TXBUF (clears UCA0TXIFG)
    ...
    RETI
```


19.4 USCI Registers: UART Mode

The USCI registers applicable in UART mode are listed in Table 19–6 and Table 19–7.

Table 19–6. USCI_A0 Control and Status Registers

Register	Short Form	Register Type	Address	Initial State
USCI_A0 control register 0	UCA0CTL0	Read/write	060h	Reset with PUC
USCI_A0 control register 1	UCA0CTL1	Read/write	061h	001h with PUC
USCI_A0 Baud rate control register 0	UCA0BR0	Read/write	062h	Reset with PUC
USCI_A0 Baud rate control register 1	UCA0BR1	Read/write	063h	Reset with PUC
USCI_A0 modulation control register	UCA0MCTL	Read/write	064h	Reset with PUC
USCI_A0 status register	UCA0STAT	Read/write	065h	Reset with PUC
USCI_A0 Receive buffer register	UCA0RXBUF	Read	066h	Reset with PUC
USCI_A0 Transmit buffer register	UCA0TXBUF	Read/write	067h	Reset with PUC
USCI_A0 Auto Baud control register	UCA0ABCTL	Read/write	05Dh	Reset with PUC
USCI_A0 IrDA Transmit control register	UCA0IRTCTL	Read/write	05Eh	Reset with PUC
USCI_A0 IrDA Receive control register	UCA0IRRCTL	Read/write	05Fh	Reset with PUC
SFR interrupt enable register 2	IE2	Read/write	001h	Reset with PUC
SFR interrupt flag register 2	IFG2	Read/write	003h	00Ah with PUC

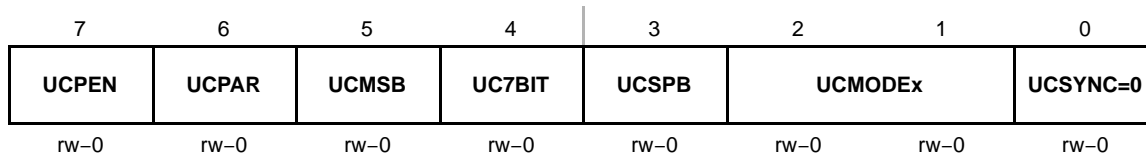
Note: Modifying SFR bits

To avoid modifying control bits of other modules, it is recommended to set or clear the IEx and IFGx bits using `BIS.B` or `BIC.B` instructions, rather than `MOV.B` or `CLR.B` instructions.

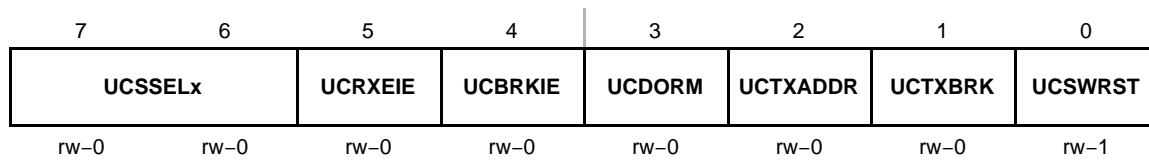
Table 19–7. USCI_A1 Control and Status Registers

Register	Short Form	Register Type	Address	Initial State
USCI_A1 control register 0	UCA1CTL0	Read/write	0D0h	Reset with PUC
USCI_A1 control register 1	UCA1CTL1	Read/write	0D1h	001h with PUC
USCI_A1 Baud rate control register 0	UCA1BR0	Read/write	0D2h	Reset with PUC
USCI_A1 Baud rate control register 1	UCA1BR1	Read/write	0D3h	Reset with PUC
USCI_A1 modulation control register	UCA1MCTL	Read/write	0D4h	Reset with PUC
USCI_A1 status register	UCA1STAT	Read/write	0D5h	Reset with PUC
USCI_A1 Receive buffer register	UCA1RXBUF	Read	0D6h	Reset with PUC
USCI_A1 Transmit buffer register	UCA1TXBUF	Read/write	0D7h	Reset with PUC
USCI_A1 Auto Baud control register	UCA1ABCTL	Read/write	0CDh	Reset with PUC
USCI_A1 IrDA Transmit control register	UCA1IRTCTL	Read/write	0CEh	Reset with PUC
USCI_A1 IrDA Receive control register	UCA1IRRCTL	Read/write	0CFh	Reset with PUC
USCI_A1/B1 interrupt enable register	UC1IE	Read/write	006h	Reset with PUC
USCI_A1/B1 interrupt flag register	UC1IFG	Read/write	007h	00Ah with PUC

UCAxCTL0, USCI_Ax Control Register 0

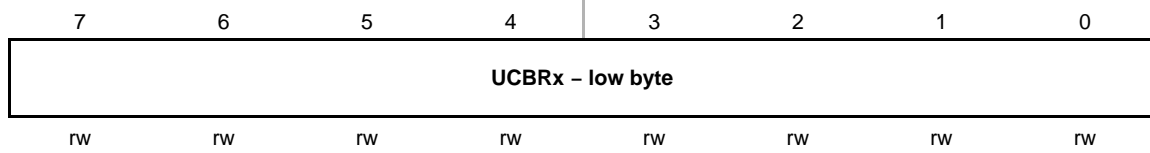


- UCPEN** Bit 7 Parity enable
 0 Parity disabled.
 1 Parity enabled. Parity bit is generated (UCAxTXD) and expected (UCAxRXD). In address-bit multiprocessor mode, the address bit is included in the parity calculation.
- UCPAR** Bit 6 Parity select. UCPAR is not used when parity is disabled.
 0 Odd parity
 1 Even parity
- UCMSB** Bit 5 MSB first select. Controls the direction of the receive and transmit shift register.
 0 LSB first
 1 MSB first
- UC7BIT** Bit 4 Character length. Selects 7-bit or 8-bit character length.
 0 8-bit data
 1 7-bit data
- UCSPB** Bit 3 Stop bit select. Number of stop bits.
 0 One stop bit
 1 Two stop bits
- UCMODEx** Bits 2-1 USCI mode. The UCMODEx bits select the asynchronous mode when UCSYNC = 0.
 00 UART Mode.
 01 Idle-Line Multiprocessor Mode.
 10 Address-Bit Multiprocessor Mode.
 11 UART Mode with automatic baud rate detection.
- UCSYNC** Bit 0 Synchronous mode enable
 0 Asynchronous mode
 1 Synchronous Mode

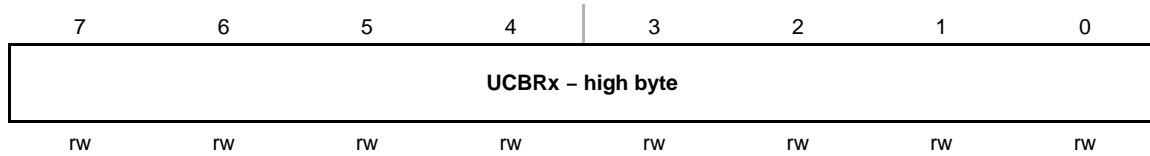
UCAxCTL1, USCI_Ax Control Register 1

UCSSELx	Bits 7-6	USCI clock source select. These bits select the BRCLK source clock. 00 UCLK 01 ACLK 10 SMCLK 11 SMCLK
UCRXEIE	Bit 5	Receive erroneous-character interrupt-enable 0 Erroneous characters rejected and UCAxRXIFG is not set 1 Erroneous characters received will set UCAxRXIFG
UCBRKIE	Bit 4	Receive break character interrupt-enable 0 Received break characters do not set UCAxRXIFG. 1 Received break characters set UCAxRXIFG.
UCDORM	Bit 3	Dormant. Puts USCI into sleep mode. 0 Not dormant. All received characters will set UCAxRXIFG. 1 Dormant. Only characters that are preceded by an idle-line or with address bit set will set UCAxRXIFG. In UART mode with automatic baud rate detection only the combination of a break and synch field will set UCAxRXIFG.
UCTXADDR	Bit 2	Transmit address. Next frame to be transmitted will be marked as address depending on the selected multiprocessor mode. 0 Next frame transmitted is data 1 Next frame transmitted is an address
UCTXBRK	Bit 1	Transmit break. Transmits a break with the next write to the transmit buffer. In UART mode with automatic baud rate detection 055h must be written into UCAxTXBUF to generate the required break/synch fields. Otherwise 0h must be written into the transmit buffer. 0 Next frame transmitted is not a break 1 Next frame transmitted is a break or a break/synch
UCSWRST	Bit 0	Software reset enable 0 Disabled. USCI reset released for operation. 1 Enabled. USCI logic held in reset state.

UCAxBR0, USCI_Ax Baud Rate Control Register 0

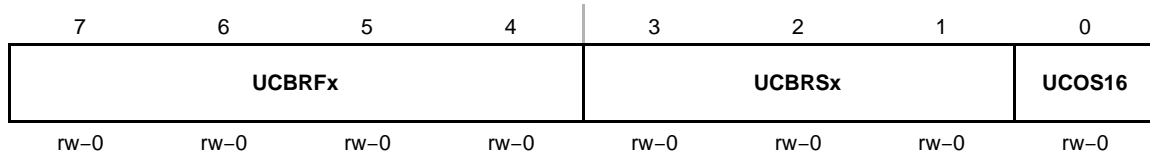


UCAxBR1, USCI_Ax Baud Rate Control Register 1



UCBRx Clock prescaler setting of the Baud rate generator. The 16-bit value of (UCAxBR0 + UCAxBR1 × 256) forms the prescaler value UCBRx.

UCAxMCTL, USCI_Ax Modulation Control Register



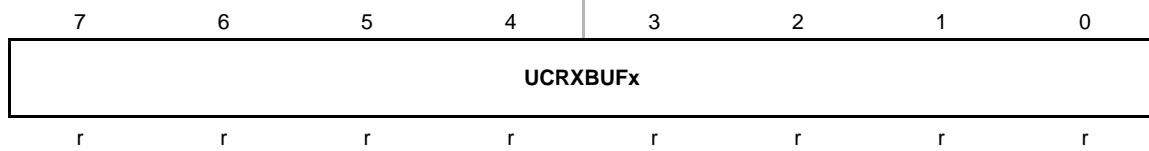
- UCBRFx** Bits 7-4 First modulation stage select. These bits determine the modulation pattern for BITCLK16 when UCOS16 = 1. Ignored with UCOS16 = 0. Table 19-3 shows the modulation pattern.
- UCBSRx** Bits 3-1 Second modulation stage select. These bits determine the modulation pattern for BITCLK. Table 19-2 shows the modulation pattern.
- UCOS16** Bit 0 Oversampling mode enabled
 - 0 Disabled
 - 1 Enabled

UCAxSTAT, USCI_Ax Status Register

7	6	5	4	3	2	1	0
UCLISTEN	UCFE	UCOE	UCPE	UCBRK	UCRXERR	UCADDR UCIDLE	UCBUSY
rw-0	rw-0	rw-0	rw-0	rw-0	rw-0	rw-0	r-0

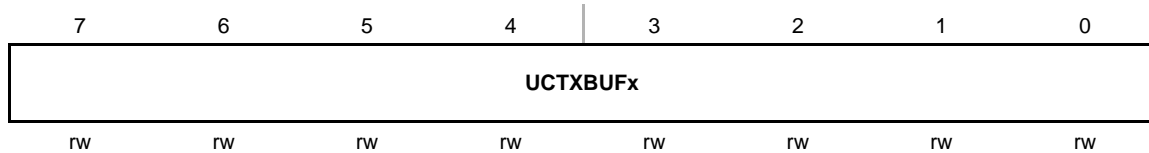
UCLISTEN	Bit 7	Listen enable. The UCLISTEN bit selects loopback mode. 0 Disabled 1 Enabled. UCAxTXD is internally fed back to the receiver.
UCFE	Bit 6	Framing error flag 0 No error 1 Character received with low stop bit
UCOE	Bit 5	Overrun error flag. This bit is set when a character is transferred into UCAxRXBUF before the previous character was read. UCOE is cleared automatically when UCxRXBUF is read, and must not be cleared by software. Otherwise, it will not function correctly. 0 No error 1 Overrun error occurred
UCPE	Bit 4	Parity error flag. When UCPEN = 0, UCPE is read as 0. 0 No error 1 Character received with parity error
UCBRK	Bit 3	Break detect flag 0 No break condition 1 Break condition occurred
UCRXERR	Bit 2	Receive error flag. This bit indicates a character was received with error(s). When UCRXERR = 1, on or more error flags (UCFE, UCPE, UCOE) is also set. UCRXERR is cleared when UCAxRXBUF is read. 0 No receive errors detected 1 Receive error detected
UCADDR	Bit 1	Address received in address-bit multiprocessor mode. 0 Received character is data 1 Received character is an address
UCIDLE		Idle line detected in idle-line multiprocessor mode. 0 No idle line detected 1 Idle line detected
UCBUSY	Bit 0	USCI busy. This bit indicates if a transmit or receive operation is in progress. 0 USCI inactive 1 USCI transmitting or receiving

UCAxRXBUF, USCI_Ax Receive Buffer Register

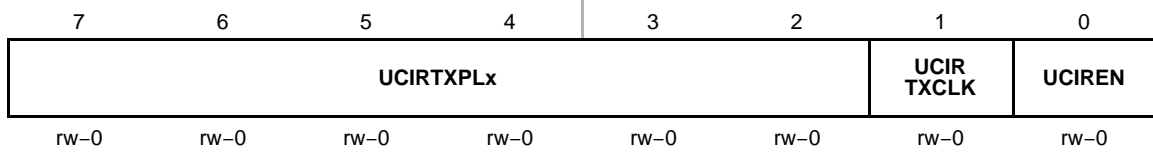


UCRXBUFx Bits 7–0 The receive-data buffer is user accessible and contains the last received character from the receive shift register. Reading UCAxRXBUF resets the receive-error bits, the UCADDR or UCIDLE bit, and UCAxRXIFG. In 7-bit data mode, UCAxRXBUF is LSB justified and the MSB is always reset.

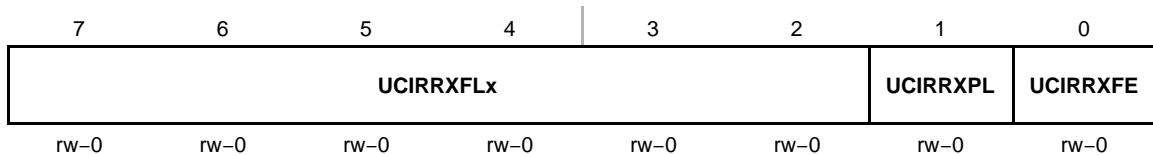
UCAxTXBUF, USCI_Ax Transmit Buffer Register



UCTXBUFx Bits 7–0 The transmit data buffer is user accessible and holds the data waiting to be moved into the transmit shift register and transmitted on UCAxTXD. Writing to the transmit data buffer clears UCAxTXIFG. The MSB of UCAxTXBUF is not used for 7-bit data and is reset.

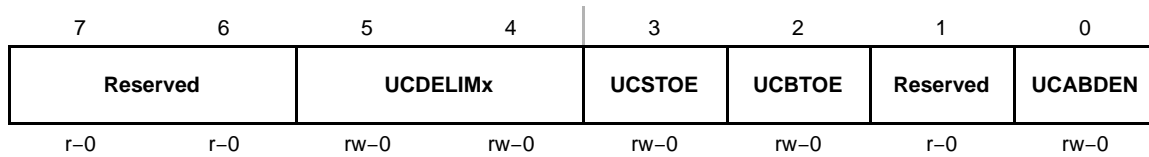
UCAxIRTCTL, USCI_Ax IrDA Transmit Control Register

UCIRTXPLx	Bits 7-2	Transmit pulse length Pulse Length $t_{PULSE} = (UCIRTXPLx + 1) / (2 \times f_{IRTXCLK})$
UCIRTXCLK	Bit 1	IrDA transmit pulse clock select 0 BRCLK 1 BITCLK16 when UCOS16 = 1. Otherwise, BRCLK
UCIREN	Bit 0	IrDA encoder/decoder enable. 0 IrDA encoder/decoder disabled 1 IrDA encoder/decoder enabled

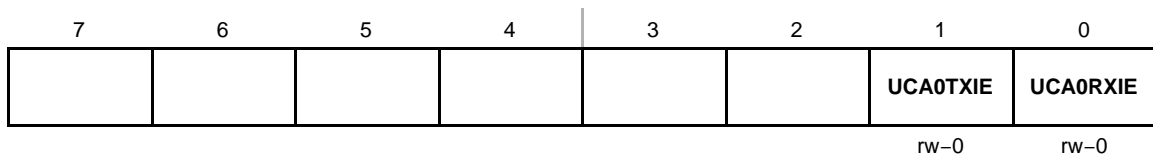
UCAxIRRCTL, USCI_Ax IrDA Receive Control Register

UCIRRXFLx	Bits 7-2	Receive filter length. The minimum pulse length for receive is given by: $t_{MIN} = (UCIRRXFLx + 4) / (2 \times f_{BRCLK})$
UCIRRXPL	Bit 1	IrDA receive input UCAxRXD polarity 0 IrDA transceiver delivers a high pulse when a light pulse is seen 1 IrDA transceiver delivers a low pulse when a light pulse is seen
UCIRRXFE	Bit 0	IrDA receive filter enabled 0 Receive filter disabled 1 Receive filter enabled

UCAxABCTL, USCI_Ax Auto Baud Rate Control Register



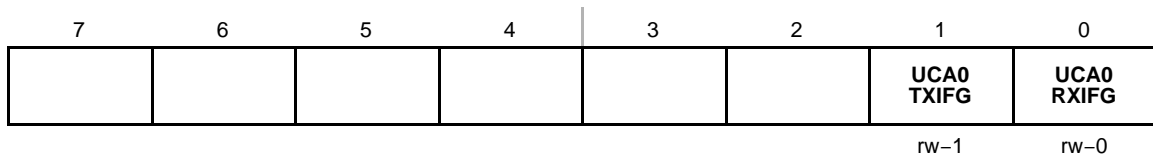
Reserved	Bits	7-6	Reserved	
UCDELIMx	Bits	5-4	Break/synch delimiter length	
			00	1 bit time
			01	2 bit times
			10	3 bit times
			11	4 bit times
UCSTOE	Bit	3	Synch field time out error	
			0	No error
			1	Length of synch field exceeded measurable time.
UCBTOE	Bit	2	Break time out error	
			0	No error
			1	Length of break field exceeded 22 bit times.
Reserved	Bit	1	Reserved	
UCABDEN	Bit	0	Automatic baud rate detect enable	
			0	Baud rate detection disabled. Length of break and synch field is not measured.
			1	Baud rate detection enabled. Length of break and synch field is measured and baud rate settings are changed accordingly.

IE2, Interrupt Enable Register 2

Bits 7-2 These bits may be used by other modules. See device-specific data sheet.

UCA0TXIE Bit 1 USCI_A0 transmit interrupt enable
 0 Interrupt disabled
 1 Interrupt enabled

UCA0RXIE Bit 0 USCI_A0 receive interrupt enable
 0 Interrupt disabled
 1 Interrupt enabled

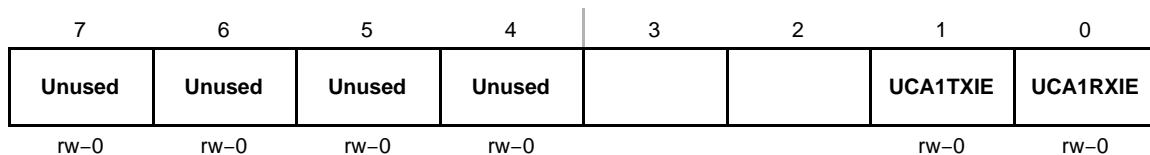
IFG2, Interrupt Flag Register 2

Bits 7-2 These bits may be used by other modules (see the device-specific data sheet).

UCA0 TXIFG Bit 1 USCI_A0 transmit interrupt flag. UCA0TXIFG is set when UCA0TXBUF is empty.
 0 No interrupt pending
 1 Interrupt pending

UCA0 RXIFG Bit 0 USCI_A0 receive interrupt flag. UCA0RXIFG is set when UCA0RXBUF has received a complete character.
 0 No interrupt pending
 1 Interrupt pending

UC1IE, USCI_A1 Interrupt Enable Register



- Unused** Bits Unused

7-4

Bits These bits may be used by other USCI modules (see the device-specific data sheet).

3-2
- UCA1TXIE** Bit 1 USCI_A1 transmit interrupt enable

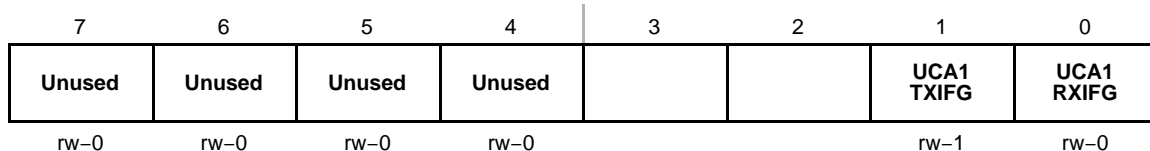
0 Interrupt disabled

1 Interrupt enabled
- UCA1RXIE** Bit 0 USCI_A1 receive interrupt enable

0 Interrupt disabled

1 Interrupt enabled

UC1IFG, USCI_A1 Interrupt Flag Register



- Unused** Bits Unused

7-4

Bits These bits may be used by other USCI modules (see the device-specific data sheet).

3-2
- UCA1 TXIFG** Bit 1 USCI_A1 transmit interrupt flag. UCA1TXIFG is set when UCA1TXBUF is empty.

0 No interrupt pending

1 Interrupt pending
- UCA1 RXIFG** Bit 0 USCI_A1 receive interrupt flag. UCA1RXIFG is set when UCA1RXBUF has received a complete character.

0 No interrupt pending

1 Interrupt pending

Universal Serial Communication Interface, SPI Mode

The universal serial communication interface (USCI) supports multiple serial communication modes with one hardware module. This chapter discusses the operation of the synchronous peripheral interface or SPI mode.

Topic	Page
20.1 USCI Overview	20-2
20.2 USCI Introduction: SPI Mode	20-3
20.3 USCI Operation: SPI Mode	20-5
20.4 USCI Registers: SPI Mode	20-14

20.1 USCI Overview

The universal serial communication interface (USCI) modules support multiple serial communication modes. Different USCI modules support different modes. Each different USCI module is named with a different letter. For example, USCI_A is different from USCI_B, etc. If more than one identical USCI module is implemented on one device, those modules are named with incrementing numbers. For example, if one device has two USCI_A modules, they are named USCI_A0 and USCI_A1. See the device-specific data sheet to determine which USCI modules, if any, are implemented on which devices.

The USCI_Ax modules support:

- UART mode
- Pulse shaping for IrDA communications
- Automatic baud rate detection for LIN communications
- SPI mode

The USCI_Bx modules support:

- I²C mode
- SPI mode

20.2 USCI Introduction: SPI Mode

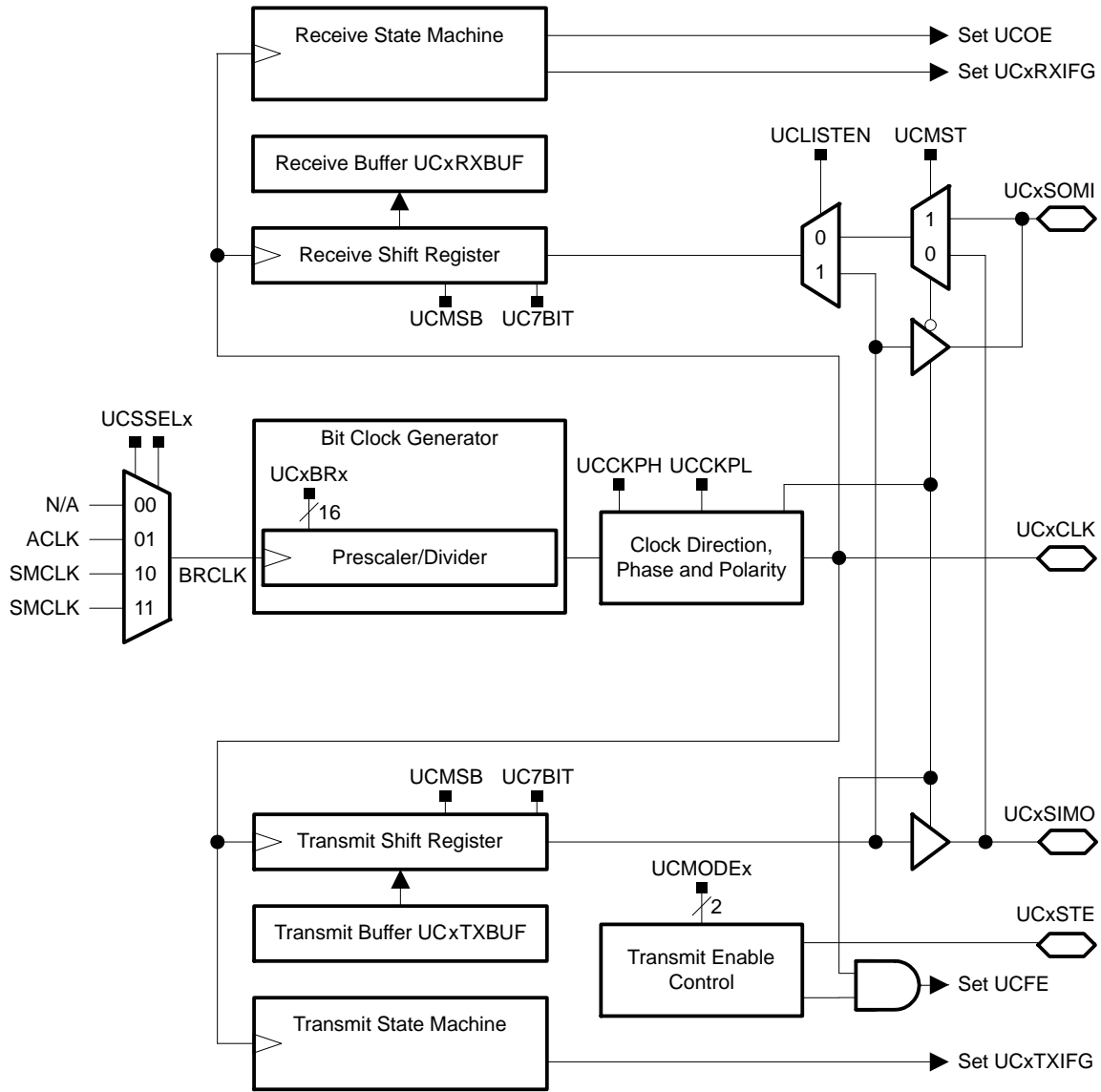
In synchronous mode, the USCI connects the MSP430 to an external system via three or four pins: UCxSIMO, UCxSOMI, UCxCLK, and UCxSTE. SPI mode is selected when the UCSYNC bit is set and SPI mode (3-pin or 4-pin) is selected with the UCMODEx bits.

SPI mode features include:

- 7- or 8-bit data length
- LSB-first or MSB-first data transmit and receive
- 3-pin and 4-pin SPI operation
- Master or slave modes
- Independent transmit and receive shift registers
- Separate transmit and receive buffer registers
- Continuous transmit and receive operation
- Selectable clock polarity and phase control
- Programmable clock frequency in master mode
- Independent interrupt capability for receive and transmit
- Slave operation in LPM4

Figure 20–1 shows the USCI when configured for SPI mode.

Figure 20–1. USCI Block Diagram: SPI Mode



20.3 USCI Operation: SPI Mode

In SPI mode, serial data is transmitted and received by multiple devices using a shared clock provided by the master. An additional pin, UCxSTE, is provided to enable a device to receive and transmit data and is controlled by the master.

Three or four signals are used for SPI data exchange:

- UCxSIMO Slave in, master out
Master mode: UCxSIMO is the data output line.
Slave mode: UCxSIMO is the data input line.
- UCxSOMI Slave out, master in
Master mode: UCxSOMI is the data input line.
Slave mode: UCxSOMI is the data output line.
- UCxCLK USCI SPI clock
Master mode: UCxCLK is an output.
Slave mode: UCxCLK is an input.
- UCxSTE Slave transmit enable. Used in 4-pin mode to allow multiple masters on a single bus. Not used in 3-pin mode. Table 20–1 describes the UCxSTE operation.

Table 20–1. UCxSTE Operation

UCMODEx	UCxSTE Active State	UCxSTE	Slave	Master
01	high	0	inactive	active
		1	active	inactive
10	low	0	active	inactive
		1	inactive	active

20.3.1 USCI Initialization and Reset

The USCI is reset by a PUC or by the UCSWRST bit. After a PUC, the UCSWRST bit is automatically set, keeping the USCI in a reset condition. When set, the UCSWRST bit resets the UCxRXIE, UCxTXIE, UCxRXIFG, UCOE, and UCFE bits and sets the UCxTXIFG flag. Clearing UCSWRST releases the USCI for operation.

Note: Initializing or Re-Configuring the USCI Module

The recommended USCI initialization/re-configuration process is:

- 1) Set UCSWRST (`BIS.B #UCSWRST, &UCxCTL1`)
 - 2) Initialize all USCI registers with UCSWRST=1 (including UCxCTL1)
 - 3) Configure ports.
 - 4) Clear UCSWRST via software (`BIC.B #UCSWRST, &UCxCTL1`)
 - 5) Enable interrupts (optional) via UCxRXIE and/or UCxTXIE
-

20.3.2 Character Format

The USCI module in SPI mode supports 7- and 8-bit character lengths selected by the UC7BIT bit. In 7-bit data mode, UCxRXBUF is LSB justified and the MSB is always reset. The UCMSB bit controls the direction of the transfer and selects LSB or MSB first.

Note: Default Character Format

The default SPI character transmission is LSB first. For communication with other SPI interfaces it MSB-first mode may be required.

Note: Character Format for Figures

Figures throughout this chapter use MSB first format.

20.3.3 Master Mode

Figure 20–2. USCI Master and External Slave

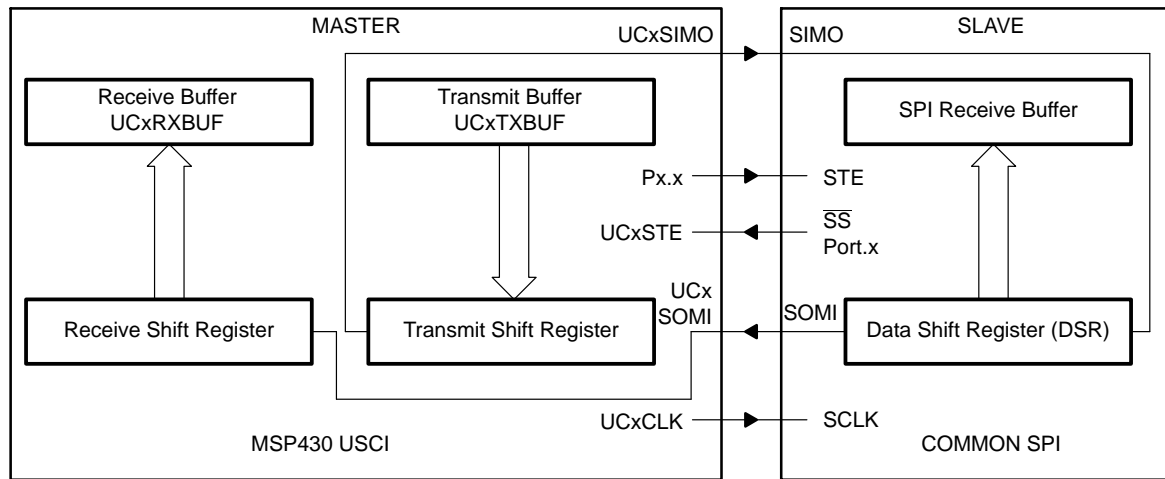


Figure 20–2 shows the USCI as a master in both 3-pin and 4-pin configurations. The USCI initiates data transfer when data is moved to the transmit data buffer UCxTXBUF. The UCxTXBUF data is moved to the TX shift register when the TX shift register is empty, initiating data transfer on UCxSIMO starting with either the most-significant or least-significant bit depending on the UCMSB setting. Data on UCxSOMI is shifted into the receive shift register on the opposite clock edge. When the character is received, the receive data is moved from the RX shift register to the received data buffer UCxRXBUF and the receive interrupt flag, UCxRXIFG, is set, indicating the RX/TX operation is complete.

A set transmit interrupt flag, UCxTXIFG, indicates that data has moved from UCxTXBUF to the TX shift register and UCxTXBUF is ready for new data. It does not indicate RX/TX completion.

To receive data into the USCI in master mode, data must be written to UCxTXBUF because receive and transmit operations operate concurrently.

Four-Pin SPI Master Mode

In 4-pin master mode, UCxSTE is used to prevent conflicts with another master and controls the master as described in Table 20–1. When UCxSTE is in the master-inactive state:

- UCxSIMO and UCxCLK are set to inputs and no longer drive the bus
- The error bit UCFE is set indicating a communication integrity violation to be handled by the user.
- The internal state machines are reset and the shift operation is aborted.

If data is written into UCxTXBUF while the master is held inactive by UCxSTE, it will be transmit as soon as UCxSTE transitions to the master-active state. If an active transfer is aborted by UCxSTE transitioning to the master-inactive state, the data must be re-written into UCxTXBUF to be transferred when UCxSTE transitions back to the master-active state. The UCxSTE input signal is not used in 3-pin master mode.

20.3.4 Slave Mode

Figure 20–3. USCI Slave and External Master

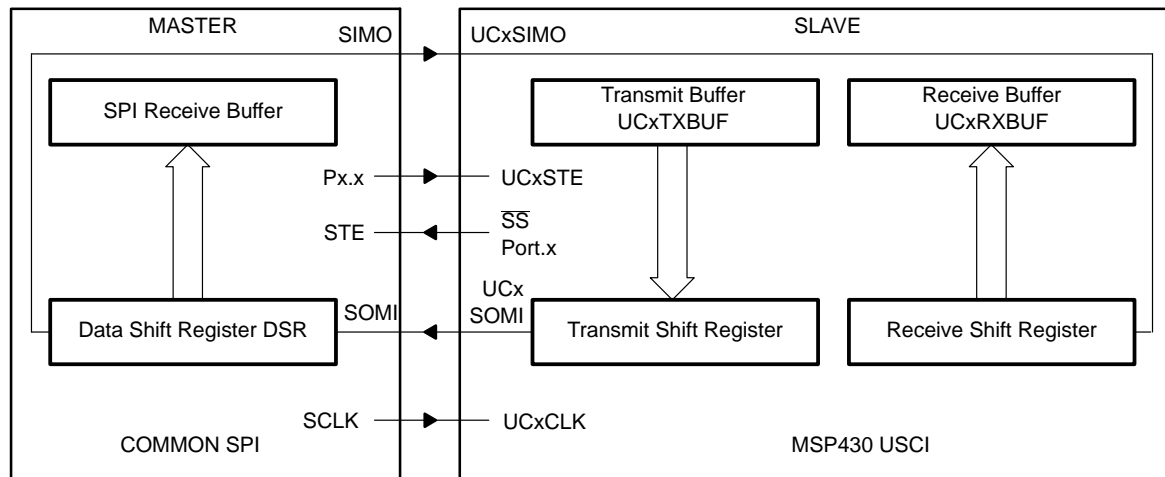


Figure 20–3 shows the USCI as a slave in both 3-pin and 4-pin configurations. UCxCLK is used as the input for the SPI clock and must be supplied by the external master. The data-transfer rate is determined by this clock and not by the internal bit clock generator. Data written to UCxTXBUF and moved to the TX shift register before the start of UCxCLK is transmitted on UCxSOMI. Data on UCxSIMO is shifted into the receive shift register on the opposite edge of UCxCLK and moved to UCxRXBUF when the set number of bits are received. When data is moved from the RX shift register to UCxRXBUF, the UCxRXIFG interrupt flag is set, indicating that data has been received. The overrun error bit, UCOE, is set when the previously received data is not read from UCxRXBUF before new data is moved to UCxRXBUF.

Four-Pin SPI Slave Mode

In 4-pin slave mode, UCxSTE is used by the slave to enable the transmit and receive operations and is provided by the SPI master. When UCxSTE is in the slave-active state, the slave operates normally. When UCxSTE is in the slave-inactive state:

- Any receive operation in progress on UCxSIMO is halted
- UCxSOMI is set to the input direction
- The shift operation is halted until the UCxSTE line transitions into the slave transmit active state.

The UCxSTE input signal is not used in 3-pin slave mode.

20.3.5 SPI Enable

When the USCI module is enabled by clearing the UCSWRST bit it is ready to receive and transmit. In master mode the bit clock generator is ready, but is not clocked nor producing any clocks. In slave mode the bit clock generator is disabled and the clock is provided by the master.

A transmit or receive operation is indicated by UCBUSY = 1. The UCBUSY flag is set by writing UCxTXBUF in master mode and in slave mode with UCCKPH=1. In slave mode with UCCKPH=0 UCBUSY is set with the first UCLK edge. UCBUSY is reset by the following conditions:

- In master mode when transfer completed and UCxTXBUF empty.
- In slave mode with UCCKPH=0 when transfer completed.
- In slave mode with UCCKPH=1 when transfer completed and UCxTXBUF empty.

A PUC or set UCSWRST bit disables the USCI immediately and any active transfer is terminated.

Transmit Enable

In master mode, writing to UCxTXBUF activates the bit clock generator and the data will begin to transmit.

In slave mode, transmission begins when a master provides a clock and, in 4-pin mode, when the UCxSTE is in the slave-active state.

Receive Enable

The SPI receives data when a transmission is active. Receive and transmit operations operate concurrently.

20.3.6 Serial Clock Control

UCxCLK is provided by the master on the SPI bus. When UCMST = 1, the bit clock is provided by the USCI bit clock generator on the UCxCLK pin. The clock used to generate the bit clock is selected with the UCSSELx bits. When UCMST = 0, the USCI clock is provided on the UCxCLK pin by the master, the bit clock generator is not used, and the UCSSELx bits are don't care. The SPI receiver and transmitter operate in parallel and use the same clock source for data transfer.

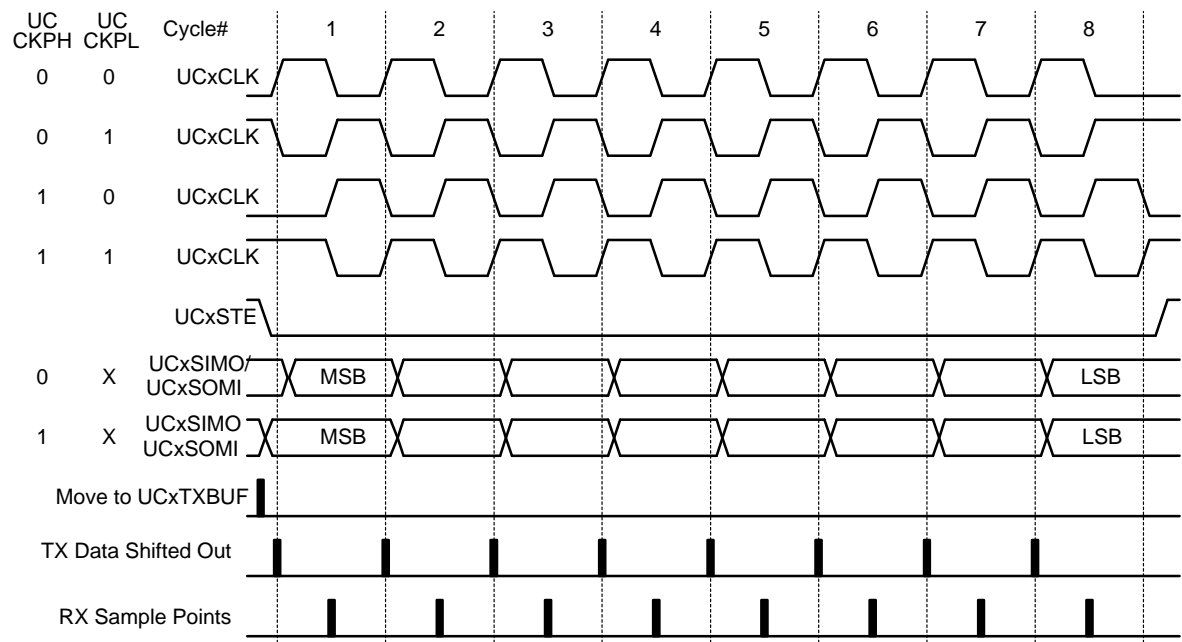
The 16-bit value of UCBRx in the bit rate control registers UCxxBR1 and UCxxBR0 is the division factor of the USCI clock source, BRCLK. The maximum bit clock that can be generated in master mode is BRCLK. Modulation is not used in SPI mode and UCAxMCTL should be cleared when using SPI mode for USCI_A. The UCAxCLK/UCBxCLK frequency is given by:

$$f_{\text{BitClock}} = \frac{f_{\text{BRCLK}}}{\text{UCBRx}}$$

Serial Clock Polarity and Phase

The polarity and phase of UCxCLK are independently configured via the UCCKPL and UCCKPH control bits of the USCI. Timing for each case is shown in Figure 20–4.

Figure 20–4. USCI SPI Timing with UCMSB = 1



20.3.7 Using the SPI Mode with Low Power Modes

The USCI module provides automatic clock activation for SMCLK for use with low-power modes. When SMCLK is the USCI clock source, and is inactive because the device is in a low-power mode, the USCI module automatically activates it when needed, regardless of the control-bit settings for the clock source. The clock remains active until the USCI module returns to its idle condition. After the USCI module returns to the idle condition, control of the clock source reverts to the settings of its control bits. Automatic clock activation is not provided for ACLK.

When the USCI module activates an inactive clock source, the clock source becomes active for the whole device and any peripheral configured to use the clock source may be affected. For example, a timer using SMCLK will increment while the USCI module forces SMCLK active.

In SPI slave mode no internal clock source is required because the clock is provided by the external master. It is possible to operate the USCI in SPI slave mode while the device is in LPM4 and all clock sources are disabled. The receive or transmit interrupt can wake up the CPU from any low power mode.

20.3.8 SPI Interrupts

The USCI has one interrupt vector for transmission and one interrupt vector for reception.

SPI Transmit Interrupt Operation

The UCxTXIFG interrupt flag is set by the transmitter to indicate that UCxTXBUF is ready to accept another character. An interrupt request is generated if UCxTXIE and GIE are also set. UCxTXIFG is automatically reset if a character is written to UCxTXBUF. UCxTXIFG is set after a PUC or when UCSWRST = 1. UCxTXIE is reset after a PUC or when UCSWRST = 1.

Note: Writing to UCxTXBUF in SPI Mode

Data written to UCxTXBUF when UCxTXIFG = 0 may result in erroneous data transmission.

SPI Receive Interrupt Operation

The UCxRXIFG interrupt flag is set each time a character is received and loaded into UCxRXBUF. An interrupt request is generated if UCxRXIE and GIE are also set. UCxRXIFG and UCxRXIE are reset by a system reset PUC signal or when UCSWRST = 1. UCxRXIFG is automatically reset when UCxRXBUF is read.

USCI Interrupt Usage

USCI_Ax and USCI_Bx share the same interrupt vectors. The receive interrupt flags UCAxRXIFG and UCBxRXIFG are routed to one interrupt vector, the transmit interrupt flags UCAxTXIFG and UCBxTXIFG share another interrupt vector.

Shared Interrupt Vectors Software Example

The following software example shows an extract of an interrupt service routine to handle data receive interrupts from USCI_A0 in either UART or SPI mode and USCI_B0 in SPI mode.

```

USCIA0_RX_USCIB0_RX_ISR
    BIT.B #UCA0RXIFG, &IFG2 ; USCI_A0 Receive Interrupt?
    JNZ   USCIA0_RX_ISR
USCIB0_RX_ISR?
    ; Read UCB0RXBUF (clears UCB0RXIFG)
    ...
    RETI
USCIA0_RX_ISR
    ; Read UCA0RXBUF (clears UCA0RXIFG)
    ...
    RETI

```

The following software example shows an extract of an interrupt service routine to handle data transmit interrupts from USCI_A0 in either UART or SPI mode and USCI_B0 in SPI mode.

```

USCIA0_TX_USCIB0_TX_ISR
    BIT.B #UCA0TXIFG, &IFG2 ; USCI_A0 Transmit Interrupt?
    JNZ   USCIA0_TX_ISR
USCIB0_TX_ISR
    ; Write UCB0TXBUF (clears UCB0TXIFG)
    ...
    RETI
USCIA0_TX_ISR
    ; Write UCA0TXBUF (clears UCA0TXIFG)
    ...
    RETI

```

20.4 USCI Registers: SPI Mode

The USCI registers applicable in SPI mode for USCI_A0 and USCI_B0 are listed in Table 20–2. Registers applicable in SPI mode for USCI_A1 and USCI_B1 are listed in Table 20–3.

Table 20–2. USCI_A0 and USCI_B0 Control and Status Registers

Register	Short Form	Register Type	Address	Initial State
USCI_A0 control register 0	UCA0CTL0	Read/write	060h	Reset with PUC
USCI_A0 control register 1	UCA0CTL1	Read/write	061h	001h with PUC
USCI_A0 Baud rate control register 0	UCA0BR0	Read/write	062h	Reset with PUC
USCI_A0 Baud rate control register 1	UCA0BR1	Read/write	063h	Reset with PUC
USCI_A0 modulation control register	UCA0MCTL	Read/write	064h	Reset with PUC
USCI_A0 status register	UCA0STAT	Read/write	065h	Reset with PUC
USCI_A0 Receive buffer register	UCA0RXBUF	Read	066h	Reset with PUC
USCI_A0 Transmit buffer register	UCA0TXBUF	Read/write	067h	Reset with PUC
USCI_B0 control register 0	UCB0CTL0	Read/write	068h	001h with PUC
USCI_B0 control register 1	UCB0CTL1	Read/write	069h	001h with PUC
USCI_B0 Bit rate control register 0	UCB0BR0	Read/write	06Ah	Reset with PUC
USCI_B0 Bit rate control register 1	UCB0BR1	Read/write	06Bh	Reset with PUC
USCI_B0 status register	UCB0STAT	Read/write	06Dh	Reset with PUC
USCI_B0 Receive buffer register	UCB0RXBUF	Read	06Eh	Reset with PUC
USCI_B0 Transmit buffer register	UCB0TXBUF	Read/write	06Fh	Reset with PUC
SFR interrupt enable register 2	IE2	Read/write	001h	Reset with PUC
SFR interrupt flag register 2	IFG2	Read/write	003h	00Ah with PUC

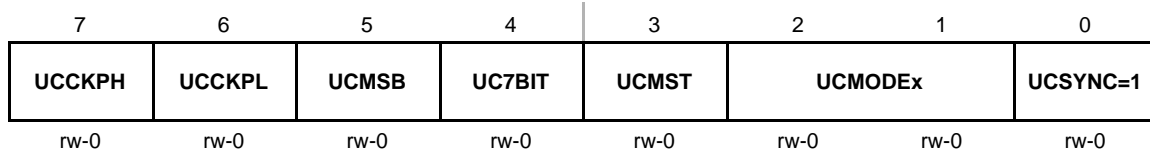
Note: Modifying SFR bits

To avoid modifying control bits of other modules, it is recommended to set or clear the IEx and IFGx bits using `BIS.B` or `BIC.B` instructions, rather than `MOV.B` or `CLR.B` instructions.

Table 20–3. USCI_A1 and USCI_B1 Control and Status Registers

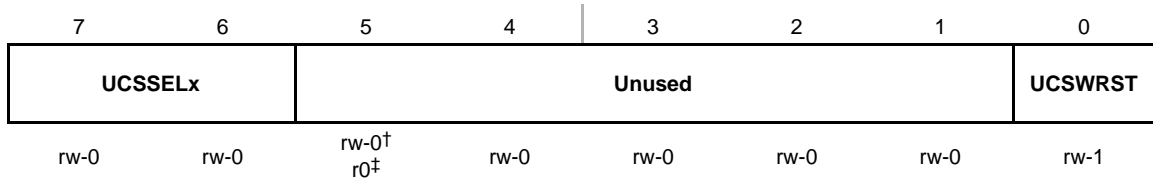
Register	Short Form	Register Type	Address	Initial State
USCI_A1 control register 0	UCA1CTL0	Read/write	0D0h	Reset with PUC
USCI_A1 control register 1	UCA1CTL1	Read/write	0D1h	001h with PUC
USCI_A1 Baud rate control register 0	UCA1BR0	Read/write	0D2h	Reset with PUC
USCI_A1 Baud rate control register 1	UCA1BR1	Read/write	0D3h	Reset with PUC
USCI_A1 modulation control register	UCA1MCTL	Read/write	0D4h	Reset with PUC
USCI_A1 status register	UCA1STAT	Read/write	0D5h	Reset with PUC
USCI_A1 Receive buffer register	UCA1RXBUF	Read	0D6h	Reset with PUC
USCI_A1 Transmit buffer register	UCA1TXBUF	Read/write	0D7h	Reset with PUC
USCI_B1 control register 0	UCB1CTL0	Read/write	0D8h	001h with PUC
USCI_B1 control register 1	UCB1CTL1	Read/write	0D9h	001h with PUC
USCI_B1 Bit rate control register 0	UCB1BR0	Read/write	0DAh	Reset with PUC
USCI_B1 Bit rate control register 1	UCB1BR1	Read/write	0DBh	Reset with PUC
USCI_B1 status register	UCB1STAT	Read/write	0DDh	Reset with PUC
USCI_B1 Receive buffer register	UCB1RXBUF	Read	0DEh	Reset with PUC
USCI_B1 Transmit buffer register	UCB1TXBUF	Read/write	0DFh	Reset with PUC
USCI_A1/B1 interrupt enable register	UC1IE	Read/write	006h	Reset with PUC
USCI_A1/B1 interrupt flag register	UC1IFG	Read/write	007h	00Ah with PUC

UCAxCTL0, USCI_Ax Control Register 0
UCBxCTL0, USCI_Bx Control Register 0



- UCCKPH** Bit 7 Clock phase select.
 0 Data is changed on the first UCLK edge and captured on the following edge.
 1 Data is captured on the first UCLK edge and changed on the following edge.
- UCCKPL** Bit 6 Clock polarity select.
 0 The inactive state is low.
 1 The inactive state is high.
- UCMSB** Bit 5 MSB first select. Controls the direction of the receive and transmit shift register.
 0 LSB first
 1 MSB first
- UC7BIT** Bit 4 Character length. Selects 7-bit or 8-bit character length.
 0 8-bit data
 1 7-bit data
- UCMST** Bit 3 Master mode select
 0 Slave mode
 1 Master mode
- UCMODEx** Bits 2-1 USCI Mode. The UCMODEx bits select the synchronous mode when UCSYNC = 1.
 00 3-Pin SPI
 01 4-Pin SPI with UCxSTE active high: slave enabled when UCxSTE = 1
 10 4-Pin SPI with UCxSTE active low: slave enabled when UCxSTE = 0
 11 I²C Mode
- UCSYNC** Bit 0 Synchronous mode enable
 0 Asynchronous mode
 1 Synchronous Mode

UCAxCTL1, USCI_Ax Control Register 1
UCBxCTL1, USCI_Bx Control Register 1

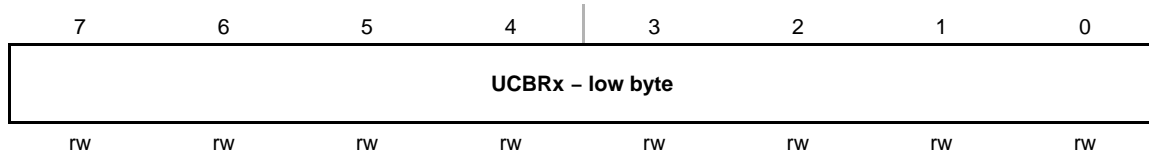


[†] UCAxCTL1 (USCI_Ax)

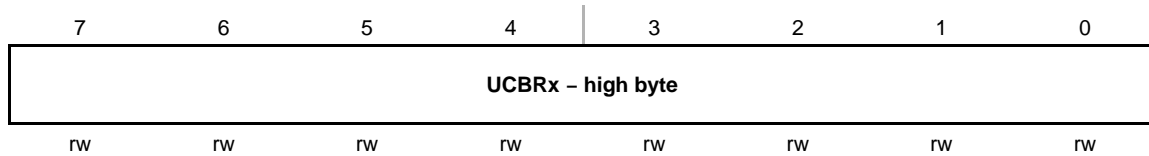
[‡] UCBxCTL1 (USCI_Bx)

UCSSELx	Bits 7-6	USCI clock source select. These bits select the BRCLK source clock in master mode. UCxCLK is always used in slave mode. 00 NA 01 ACLK 10 SMCLK 11 SMCLK
Unused	Bits 5-1	Unused in synchronous mode (UCSYNC=1).
UCSWRST	Bit 0	Software reset enable 0 Disabled. USCI reset released for operation. 1 Enabled. USCI logic held in reset state.

UCAxBR0, USCI_Ax Bit Rate Control Register 0
UCBxBR0, USCI_Bx Bit Rate Control Register 0



UCAxBR1, USCI_Ax Bit Rate Control Register 1
UCBxBR1, USCI_Bx Bit Rate Control Register 1



UCBRx

Bit clock prescaler setting.
The 16-bit value of $(UC_{xx}BR0 + UC_{xx}BR1 \times 256)$ form the prescaler value UCBRx.

UCAxSTAT, USCI_Ax Status Register
UCBxSTAT, USCI_Bx Status Register

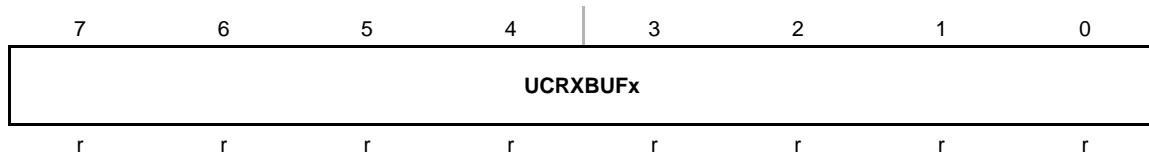
7	6	5	4	3	2	1	0
UCLISTEN	UCFE	UCOE	Unused	Unused	Unused	Unused	UCBUSY
rw-0	rw-0	rw-0	rw-0 [†] r0 [‡]	rw-0	rw-0	rw-0	r-0

[†] UCAxSTAT (USCI_Ax)

[‡] UCBxSTAT (USCI_Bx)

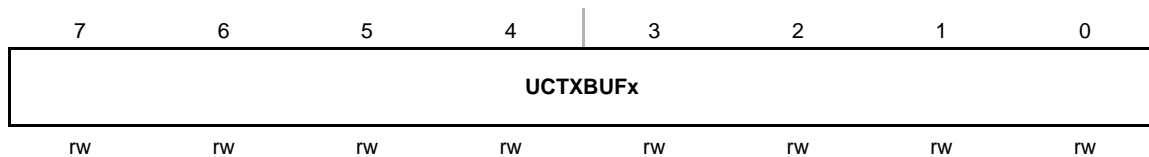
UCLISTEN	Bit 7	Listen enable. The UCLISTEN bit selects loopback mode. 0 Disabled 1 Enabled. The transmitter output is internally fed back to the receiver.
UCFE	Bit 6	Framing error flag. This bit indicates a bus conflict in 4-wire master mode. UCFE is not used in 3-wire master or any slave mode. 0 No error 1 Bus conflict occurred
UCOE	Bit 5	Overrun error flag. This bit is set when a character is transferred into UCxRXBUF before the previous character was read. UCOE is cleared automatically when UCxRXBUF is read, and must not be cleared by software. Otherwise, it will not function correctly. 0 No error 1 Overrun error occurred
Unused	Bits 4–1	Unused in synchronous mode (UCSYNC=1).
UCBUSY	Bit 0	USCI busy. This bit indicates if a transmit or receive operation is in progress. 0 USCI inactive 1 USCI transmitting or receiving

UCAxRXBUF, USCI_Ax Receive Buffer Register
UCBxRXBUF, USCI_Bx Receive Buffer Register



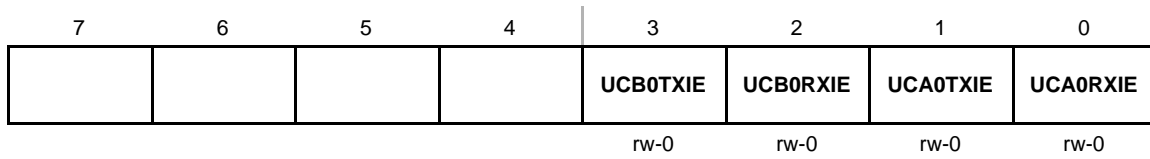
UCRXBUFx Bits 7-0 The receive-data buffer is user accessible and contains the last received character from the receive shift register. Reading UCxRXBUF resets the receive-error bits, and UCxRXIFG. In 7-bit data mode, UCxRXBUF is LSB justified and the MSB is always reset.

UCAxTXBUF, USCI_Ax Transmit Buffer Register
UCBxTXBUF, USCI_Bx Transmit Buffer Register



UCTXBUFx Bits 7-0 The transmit data buffer is user accessible and holds the data waiting to be moved into the transmit shift register and transmitted. Writing to the transmit data buffer clears UCxTXIFG. The MSB of UCxTXBUF is not used for 7-bit data and is reset.

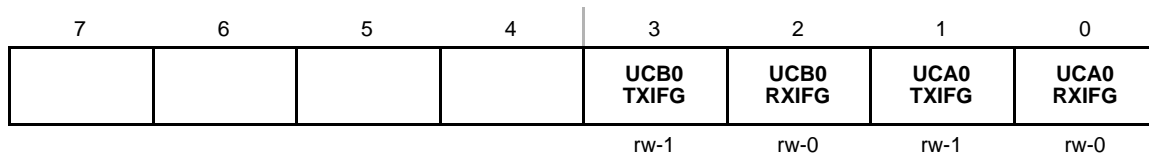
IE2, Interrupt Enable Register 2



Bits 7-4: These bits may be used by other modules. See device-specific data sheet.

- UCB0TXIE** Bit 3 USCI_B0 transmit interrupt enable
 0 Interrupt disabled
 1 Interrupt enabled
- UCB0RXIE** Bit 2 USCI_B0 receive interrupt enable
 0 Interrupt disabled
 1 Interrupt enabled
- UCA0TXIE** Bit 1 USCI_A0 transmit interrupt enable
 0 Interrupt disabled
 1 Interrupt enabled
- UCA0RXIE** Bit 0 USCI_A0 receive interrupt enable
 0 Interrupt disabled
 1 Interrupt enabled

IFG2, Interrupt Flag Register 2



Bits 7-4: These bits may be used by other modules. See device-specific data sheet.

- UCB0 TXIFG** Bit 3 USCI_B0 transmit interrupt flag. UCB0TXIFG is set when UCB0TXBUF is empty.
 0 No interrupt pending
 1 Interrupt pending
- UCB0 RXIFG** Bit 2 USCI_B0 receive interrupt flag. UCB0RXIFG is set when UCB0RXBUF has received a complete character.
 0 No interrupt pending
 1 Interrupt pending
- UCA0 TXIFG** Bit 1 USCI_A0 transmit interrupt flag. UCA0TXIFG is set when UCA0TXBUF empty.
 0 No interrupt pending
 1 Interrupt pending
- UCA0 RXIFG** Bit 0 USCI_A0 receive interrupt flag. UCA0RXIFG is set when UCA0RXBUF has received a complete character.
 0 No interrupt pending
 1 Interrupt pending

UC1IE, USCI_A1/USCI_B1 Interrupt Enable Register

7	6	5	4	3	2	1	0
Unused	Unused	Unused	Unused	UCB1TXIE	UCB1RXIE	UCA1TXIE	UCA1RXIE
rw-0	rw-0	rw-0	rw-0	rw-0	rw-0	rw-0	rw-0

Unused	Bits 7-4	Unused
UCB1TXIE	Bit 3	USCI_B1 transmit interrupt enable 0 Interrupt disabled 1 Interrupt enabled
UCB1RXIE	Bit 2	USCI_B1 receive interrupt enable 0 Interrupt disabled 1 Interrupt enabled
UCA1TXIE	Bit 1	USCI_A1 transmit interrupt enable 0 Interrupt disabled 1 Interrupt enabled
UCA1RXIE	Bit 0	USCI_A1 receive interrupt enable 0 Interrupt disabled 1 Interrupt enabled

UC1IFG, USCI_A1/USCI_B1 Interrupt Flag Register

7	6	5	4	3	2	1	0
Unused	Unused	Unused	Unused	UCB1 TXIFG	UCB1 RXIFG	UCA1 TXIFG	UCA1 RXIFG
rw-0	rw-0	rw-0	rw-0	rw-1	rw-0	rw-1	rw-0

Unused	Bits 7-4	Unused
UCB1 TXIFG	Bit 3	USCI_B1 transmit interrupt flag. UCB1TXIFG is set when UCB1TXBUF is empty. 0 No interrupt pending 1 Interrupt pending
UCB1 RXIFG	Bit 2	USCI_B1 receive interrupt flag. UCB1RXIFG is set when UCB1RXBUF has received a complete character. 0 No interrupt pending 1 Interrupt pending
UCA1 TXIFG	Bit 1	USCI_A1 transmit interrupt flag. UCA1TXIFG is set when UCA1TXBUF empty. 0 No interrupt pending 1 Interrupt pending
UCA1 RXIFG	Bit 0	USCI_A1 receive interrupt flag. UCA1RXIFG is set when UCA1RXBUF has received a complete character. 0 No interrupt pending 1 Interrupt pending

Universal Serial Communication Interface, I²C Mode

The universal serial communication interface (USCI) supports multiple serial communication modes with one hardware module. This chapter discusses the operation of the I²C mode.

Topic	Page
21.1 USCI Overview	21-2
21.2 USCI Introduction: I ² C Mode	21-3
21.3 USCI Operation: I ² C Mode	21-5
21.4 USCI Registers: I ² C Mode	21-26

21.1 USCI Overview

The universal serial communication interface (USCI) modules support multiple serial communication modes. Different USCI modules support different modes. Each different USCI module is named with a different letter. For example, USCI_A is different from USCI_B, etc. If more than one identical USCI module is implemented on one device, those modules are named with incrementing numbers. For example, if one device has two USCI_A modules, they are named USCI_A0 and USCI_A1. See the device-specific data sheet to determine which USCI modules, if any, are implemented on which devices.

The USCI_Ax modules support:

- UART mode
- Pulse shaping for IrDA communications
- Automatic baud rate detection for LIN communications
- SPI mode

The USCI_Bx modules support:

- I²C mode
- SPI mode

21.2 USCI Introduction: I²C Mode

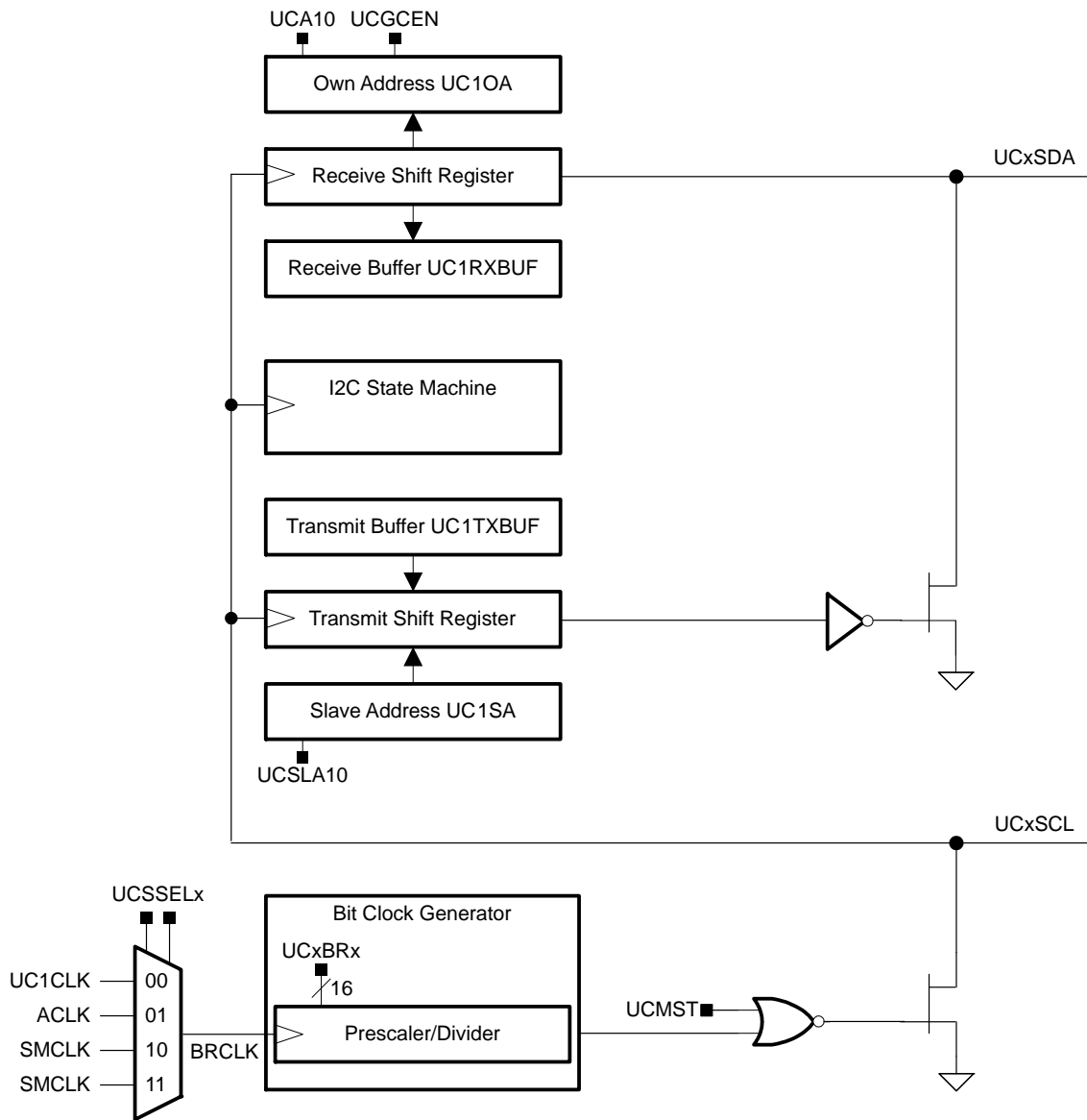
In I²C mode, the USCI module provides an interface between the MSP430 and I²C-compatible devices connected by way of the two-wire I²C serial bus. External components attached to the I²C bus serially transmit and/or receive serial data to/from the USCI module through the 2-wire I²C interface.

The I²C mode features include:

- Compliance to the Philips Semiconductor I²C specification v2.1
 - 7-bit and 10-bit device addressing modes
 - General call
 - START/RESTART/STOP
 - Multi-master transmitter/receiver mode
 - Slave receiver/transmitter mode
 - Standard mode up to 100 kbps and fast mode up to 400 kbps support
- Programmable UCxCLK frequency in master mode
- Designed for low power
- Slave receiver START detection for auto-wake up from LPMx modes
- Slave operation in LPM4

Figure 21–1 shows the USCI when configured in I²C mode.

Figure 21-1. USCI Block Diagram: I²C Mode

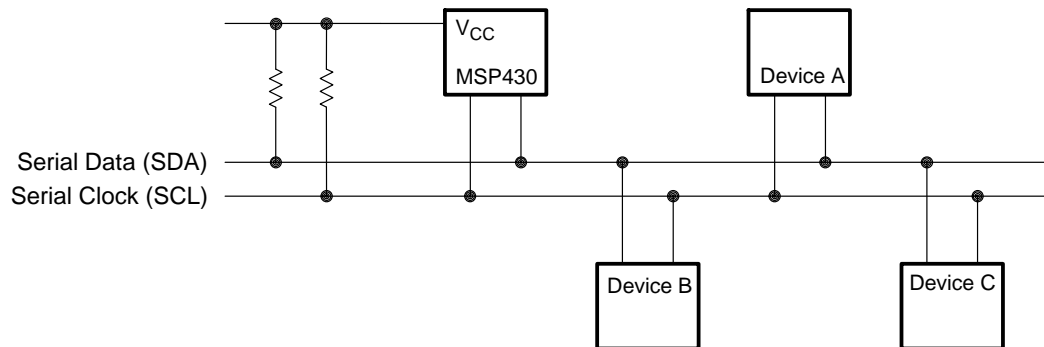


21.3 USCI Operation: I²C Mode

The I²C mode supports any slave or master I²C-compatible device. Figure 21–2 shows an example of an I²C bus. Each I²C device is recognized by a unique address and can operate as either a transmitter or a receiver. A device connected to the I²C bus can be considered as the master or the slave when performing data transfers. A master initiates a data transfer and generates the clock signal SCL. Any device addressed by a master is considered a slave.

I²C data is communicated using the serial data pin (SDA) and the serial clock pin (SCL). Both SDA and SCL are bidirectional, and must be connected to a positive supply voltage using a pullup resistor.

Figure 21–2. I²C Bus Connection Diagram



Note: SDA and SCL Levels

The MSP430 SDA and SCL pins must not be pulled up above the MSP430 V_{CC} level.

21.3.1 USCI Initialization and Reset

The USCI is reset by a PUC or by setting the UCSWRST bit. After a PUC, the UCSWRST bit is automatically set, keeping the USCI in a reset condition. To select I²C operation the UCMODEx bits must be set to 11. After module initialization, it is ready for transmit or receive operation. Clearing UCSWRST releases the USCI for operation.

Configuring and reconfiguring the USCI module should be done when UCSWRST is set to avoid unpredictable behavior. Setting UCSWRST in I²C mode has the following effects:

- I²C communication stops
- SDA and SCL are high impedance
- UCBxI2CSTAT, bits 6-0 are cleared
- UCBxTXIE and UCBxRXIE are cleared
- UCBxTXIFG and UCBxRXIFG are cleared
- All other bits and registers remain unchanged.

Note: Initializing or Reconfiguring the USCI Module

The recommended USCI initialization/re-configuration process is:

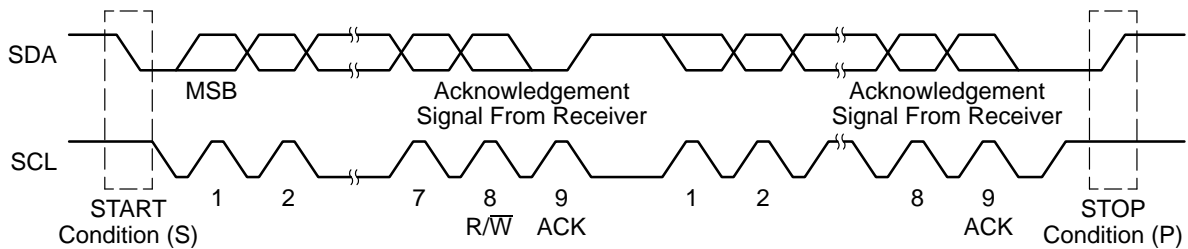
- 1) Set UCSWRST (`BIS.B UCSWRST, &UCxCTL1`)
 - 2) Initialize all USCI registers with UCSWRST=1 (including UCxCTL1)
 - 3) Configure ports.
 - 4) Clear UCSWRST via software (`BIC.B UCSWRST, &UCxCTL1`)
 - 5) Enable interrupts (optional) via UCxRXIE and/or UCxTXIE
-

21.3.2 I²C Serial Data

One clock pulse is generated by the master device for each data bit transferred. The I²C mode operates with byte data. Data is transferred most significant bit first as shown in Figure 21–3.

The first byte after a START condition consists of a 7-bit slave address and the R/W bit. When $R/\overline{W} = 0$, the master transmits data to a slave. When $R/\overline{W} = 1$, the master receives data from a slave. The ACK bit is sent from the receiver after each byte on the 9th SCL clock.

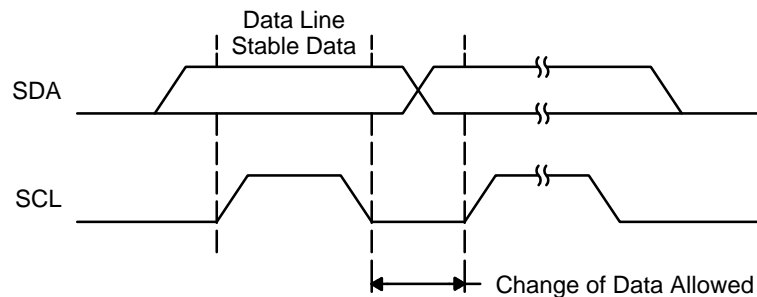
Figure 21–3. I²C Module Data Transfer



START and STOP conditions are generated by the master and are shown in Figure 21–3. A START condition is a high-to-low transition on the SDA line while SCL is high. A STOP condition is a low-to-high transition on the SDA line while SCL is high. The bus busy bit, UCBBUSY, is set after a START and cleared after a STOP.

Data on SDA must be stable during the high period of SCL as shown in Figure 21–4. The high and low state of SDA can only change when SCL is low, otherwise START or STOP conditions will be generated.

Figure 21–4. Bit Transfer on the I²C Bus



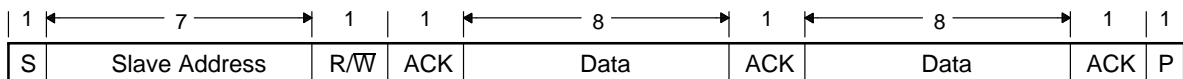
21.3.3 I2C Addressing Modes

The I2C mode supports 7-bit and 10-bit addressing modes.

7-Bit Addressing

In the 7-bit addressing format, shown in Figure 21–5, the first byte is the 7-bit slave address and the R/W bit. The ACK bit is sent from the receiver after each byte.

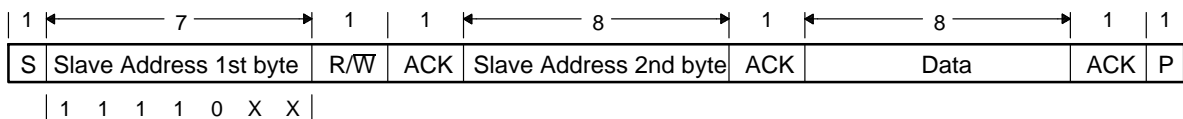
Figure 21–5. I2C Module 7-Bit Addressing Format



10-Bit Addressing

In the 10-bit addressing format, shown in Figure 21–6, the first byte is made up of 11110b plus the two MSBs of the 10-bit slave address and the R/W bit. The ACK bit is sent from the receiver after each byte. The next byte is the remaining 8 bits of the 10-bit slave address, followed by the ACK bit and the 8-bit data.

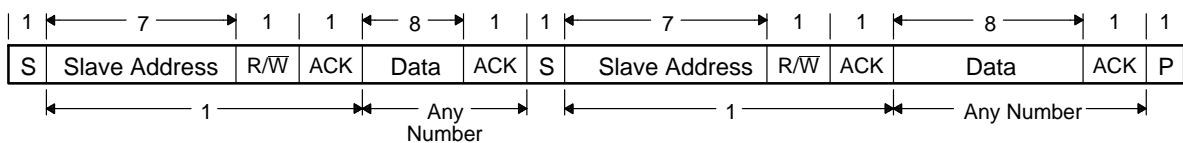
Figure 21–6. I2C Module 10-Bit Addressing Format



Repeated Start Conditions

The direction of data flow on SDA can be changed by the master, without first stopping a transfer, by issuing a repeated START condition. This is called a RESTART. After a RESTART is issued, the slave address is again sent out with the new data direction specified by the R/W bit. The RESTART condition is shown in Figure 21–7.

Figure 21–7. I2C Module Addressing Format with Repeated START Condition



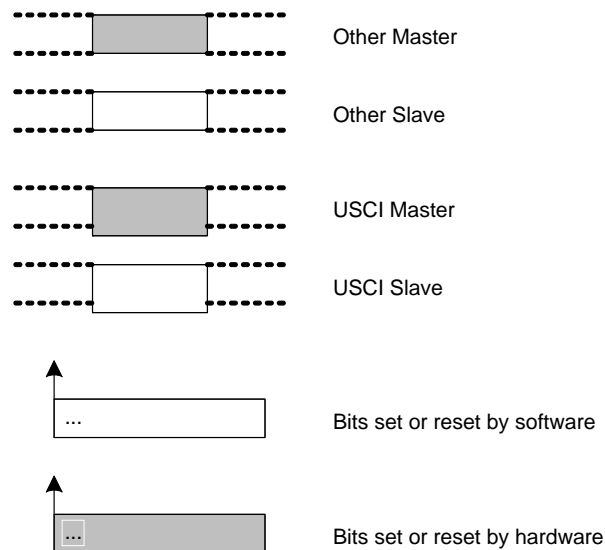
21.3.4 I²C Module Operating Modes

In I²C mode the USCI module can operate in master transmitter, master receiver, slave transmitter, or slave receiver mode. The modes are discussed in the following sections. Time lines are used to illustrate the modes.

Figure 21–8 shows how to interpret the time line figures. Data transmitted by the master is represented by grey rectangles, data transmitted by the slave by white rectangles. Data transmitted by the USCI module, either as master or slave, is shown by rectangles that are taller than the others.

Actions taken by the USCI module are shown in grey rectangles with an arrow indicating where in the the data stream the action occurs. Actions that must be handled with software are indicated with white rectangles with an arrow pointing to where in the data stream the action must take place.

Figure 21–8. I²C Time line Legend



Slave Mode

The USCI module is configured as an I²C slave by selecting the I²C mode with UCMODEx = 11 and UCSYNC = 1 and clearing the UCMST bit.

Initially the USCI module must be configured in receiver mode by clearing the UCTR bit to receive the I²C address. Afterwards, transmit and receive operations are controlled automatically depending on the R/W bit received together with the slave address.

The USCI slave address is programmed with the UCBxI2COA register. When UCA10 = 0, 7-bit addressing is selected. When UCA10 = 1, 10-bit addressing is selected. The UCGCEN bit selects if the slave responds to a general call.

When a START condition is detected on the bus, the USCI module will receive the transmitted address and compare it against its own address stored in UCBxI2COA. The UCSTTIFG flag is set when address received matches the USCI slave address.

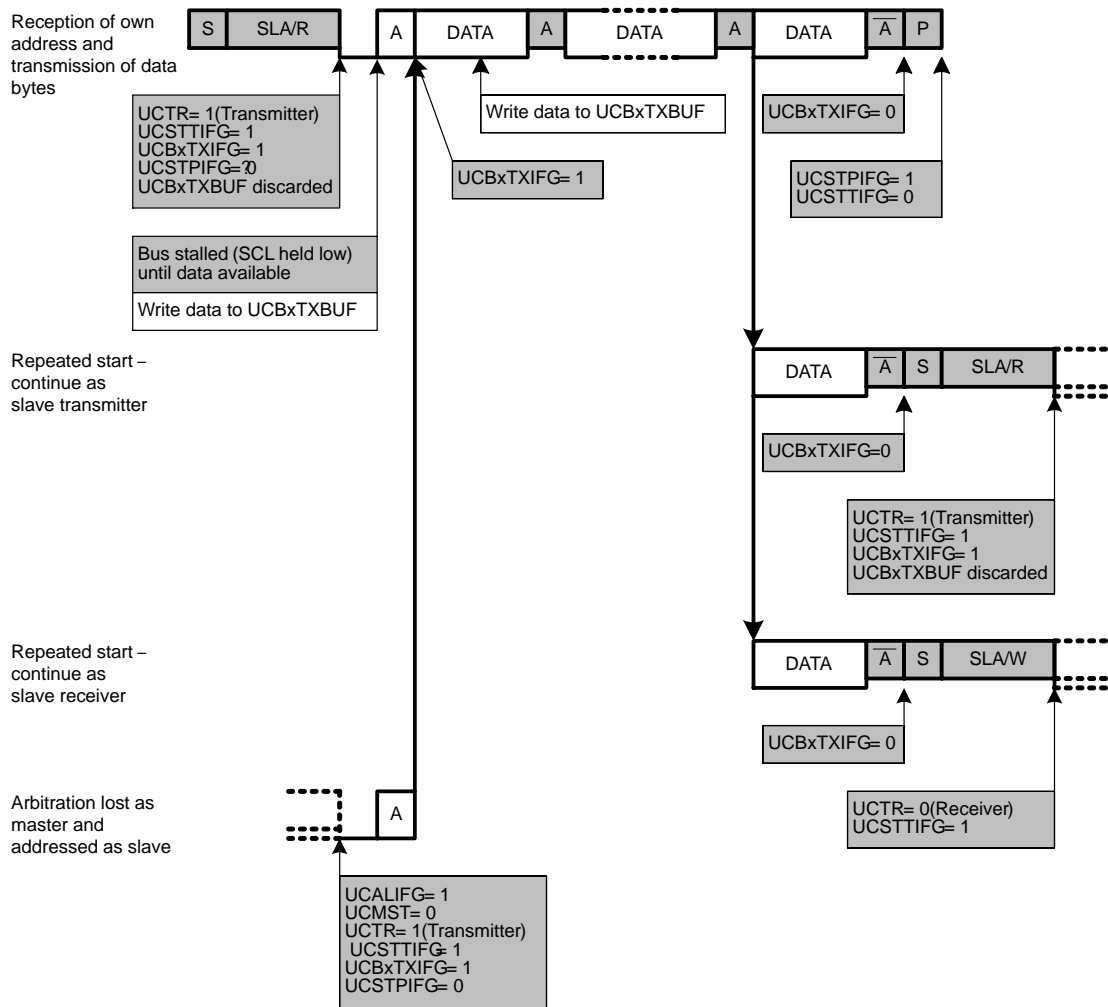
I²C Slave Transmitter Mode

Slave transmitter mode is entered when the slave address transmitted by the master is identical to its own address with a set R/W bit. The slave transmitter shifts the serial data out on SDA with the clock pulses that are generated by the master device. The slave device does not generate the clock, but it will hold SCL low while intervention of the CPU is required after a byte has been transmitted.

If the master requests data from the slave the USCI module is automatically configured as a transmitter and UCTR and UCBxTXIFG become set. The SCL line is held low until the first data to be sent is written into the transmit buffer UCBxTXBUF. Then the address is acknowledged, the UCSTTIFG flag is cleared, and the data is transmitted. As soon as the data is transferred into the shift register the UCBxTXIFG is set again. After the data is acknowledged by the master the next data byte written into UCBxTXBUF is transmitted or if the buffer is empty the bus is stalled during the acknowledge cycle by holding SCL low until new data is written into UCBxTXBUF. If the master sends a NACK succeeded by a STOP condition the UCSTPIFG flag is set. If the NACK is succeeded by a repeated START condition the USCI I²C state machine returns to its address-reception state.

Figure 21–9 illustrates the slave transmitter operation.

Figure 21–9. I²C Slave Transmitter Mode



I²C Slave Receiver Mode

Slave receiver mode is entered when the slave address transmitted by the master is identical to its own address and a cleared $R\overline{W}$ bit is received. In slave receiver mode, serial data bits received on SDA are shifted in with the clock pulses that are generated by the master device. The slave device does not generate the clock, but it can hold SCL low if intervention of the CPU is required after a byte has been received.

If the slave should receive data from the master the USCI module is automatically configured as a receiver and UCTR is cleared. After the first data byte is received the receive interrupt flag UCBxRXIFG is set. The USCI module automatically acknowledges the received data and can receive the next data byte.

If the previous data was not read from the receive buffer UCBxRXBUF at the end of a reception, the bus is stalled by holding SCL low. As soon as UCBxRXBUF is read the new data is transferred into UCBxRXBUF, an acknowledge is sent to the master, and the next data can be received.

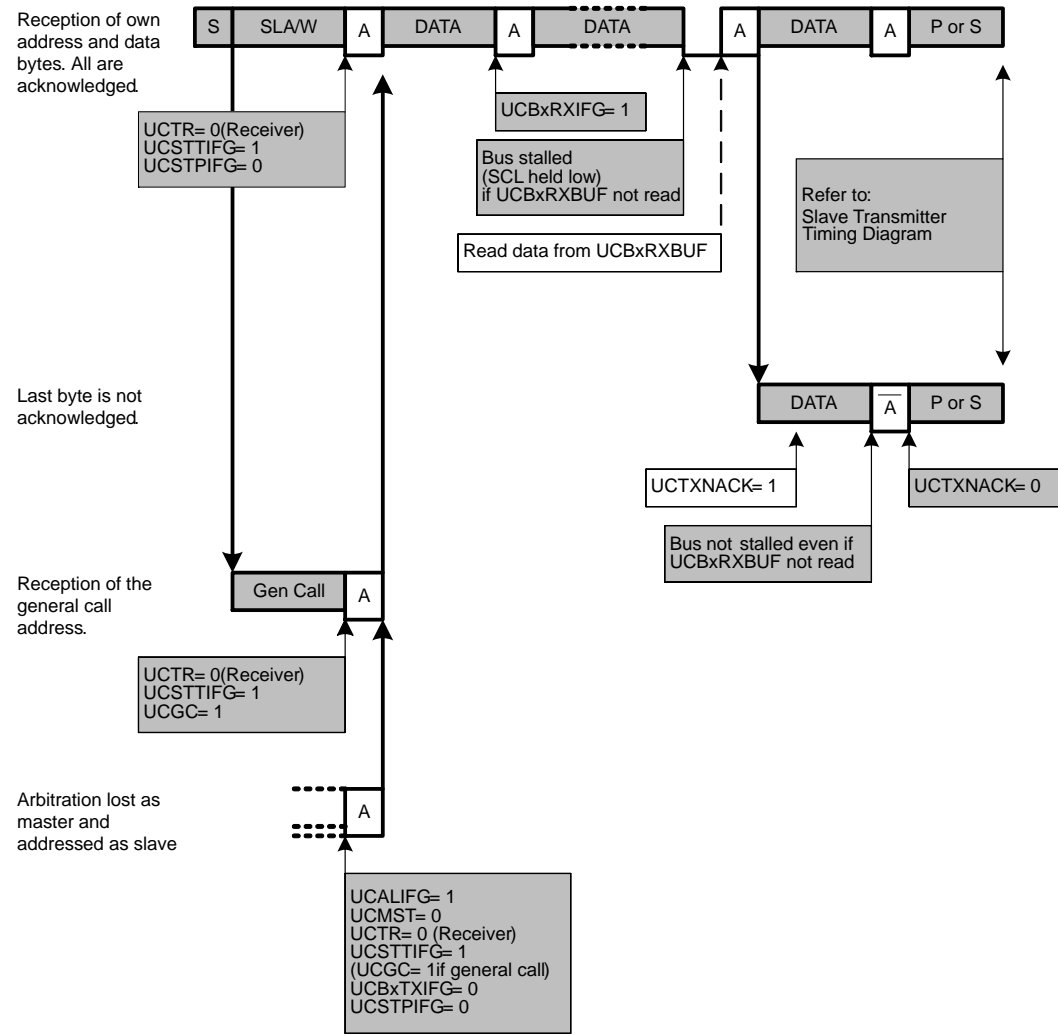
Setting the UCTXNACK bit causes a NACK to be transmitted to the master during the next acknowledgment cycle. A NACK is sent even if UCBxRXBUF is not ready to receive the latest data. If the UCTXNACK bit is set while SCL is held low the bus will be released, a NACK is transmitted immediately, and UCBxRXBUF is loaded with the last received data. Since the previous data was not read that data will be lost. To avoid loss of data the UCBxRXBUF needs to be read before UCTXNACK is set.

When the master generates a STOP condition the UCSTPIFG flag is set.

If the master generates a repeated START condition the USCI I²C state machine returns to its address reception state.

Figure 21–10 illustrates the the I²C slave receiver operation.

Figure 21–10. I²C Slave Receiver Mode

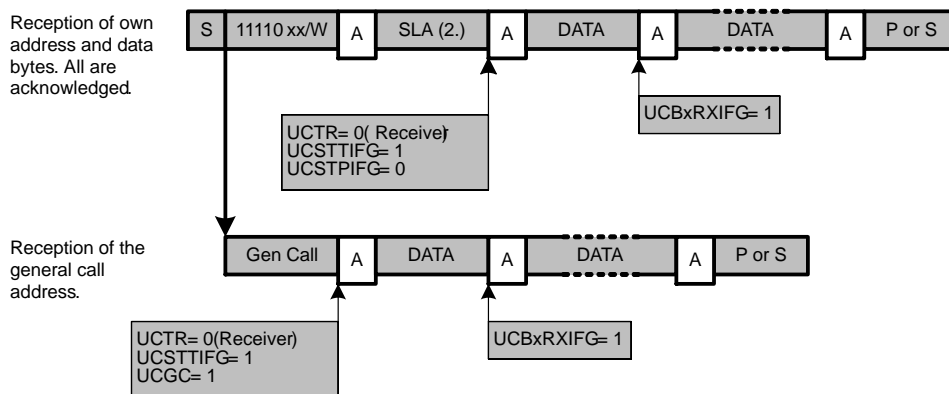


I²C Slave 10-Bit Addressing Mode

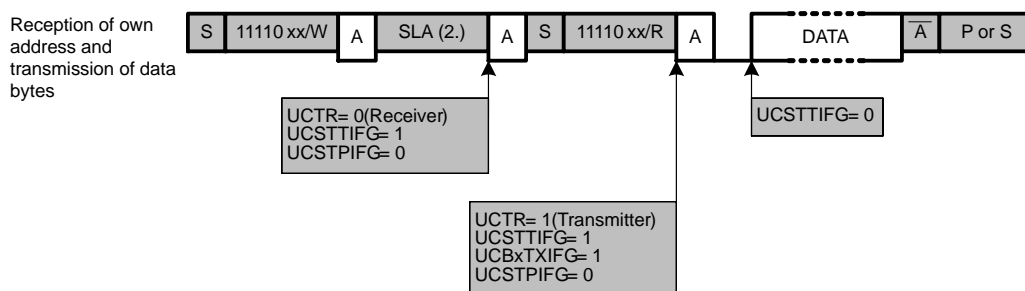
The 10-bit addressing mode is selected when UCA10 = 1 and is as shown in Figure 21–11. In 10-bit addressing mode, the slave is in receive mode after the full address is received. The USCI module indicates this by setting the UCSTTIFG flag while the UCTR bit is cleared. To switch the slave into transmitter mode the master sends a repeated START condition together with the first byte of the address but with the R/W bit set. This will set the UCSTTIFG flag if it was previously cleared by software and the USCI module switches to transmitter mode with UCTR = 1.

Figure 21–11. I²C Slave 10-bit Addressing Mode

Slave Receiver



Slave Transmitter



Master Mode

The USCI module is configured as an I²C master by selecting the I²C mode with UCMODEx = 11 and UCSYNC = 1 and setting the UCMST bit. When the master is part of a multi-master system, UCMM must be set and its own address must be programmed into the UCBxI2COA register. When UCA10 = 0, 7-bit addressing is selected. When UCA10 = 1, 10-bit addressing is selected. The UCGCEN bit selects if the USCI module responds to a general call.

I²C Master Transmitter Mode

After initialization, master transmitter mode is initiated by writing the desired slave address to the UCBxI2CSA register, selecting the size of the slave address with the UCCLA10 bit, setting UCTR for transmitter mode, and setting UCTXSTT to generate a START condition.

The USCI module checks if the bus is available, generates the START condition, and transmits the slave address. The UCBxTXIFG bit is set when the START condition is generated and the first data to be transmitted can be written into UCBxTXBUF. As soon as the slave acknowledges the address the UCTXSTT bit is cleared.

Note: Handling of TXIFG in a multi-master system

In a multi-master system (UCMM = 1), if the bus is unavailable, the USCI module waits and checks for bus release. Bus unavailability can occur even after the UCTXSTT bit has been set. While waiting for the bus to become available, the USCI may update the TXIFG based on SCL clock line activity. Checking the UCTXSTT bit to verify if the START condition has been sent ensures that the TXIFG is being serviced correctly.

The data written into UCBxTXBUF is transmitted if arbitration is not lost during transmission of the slave address. UCBxTXIFG is set again as soon as the data is transferred from the buffer into the shift register. If there is no data loaded to UCBxTXBUF before the acknowledge cycle, the bus is held during the acknowledge cycle with SCL low until data is written into UCBxTXBUF. Data is transmitted or the bus is held as long as the UCTXSTP bit or UCTXSTT bit is not set.

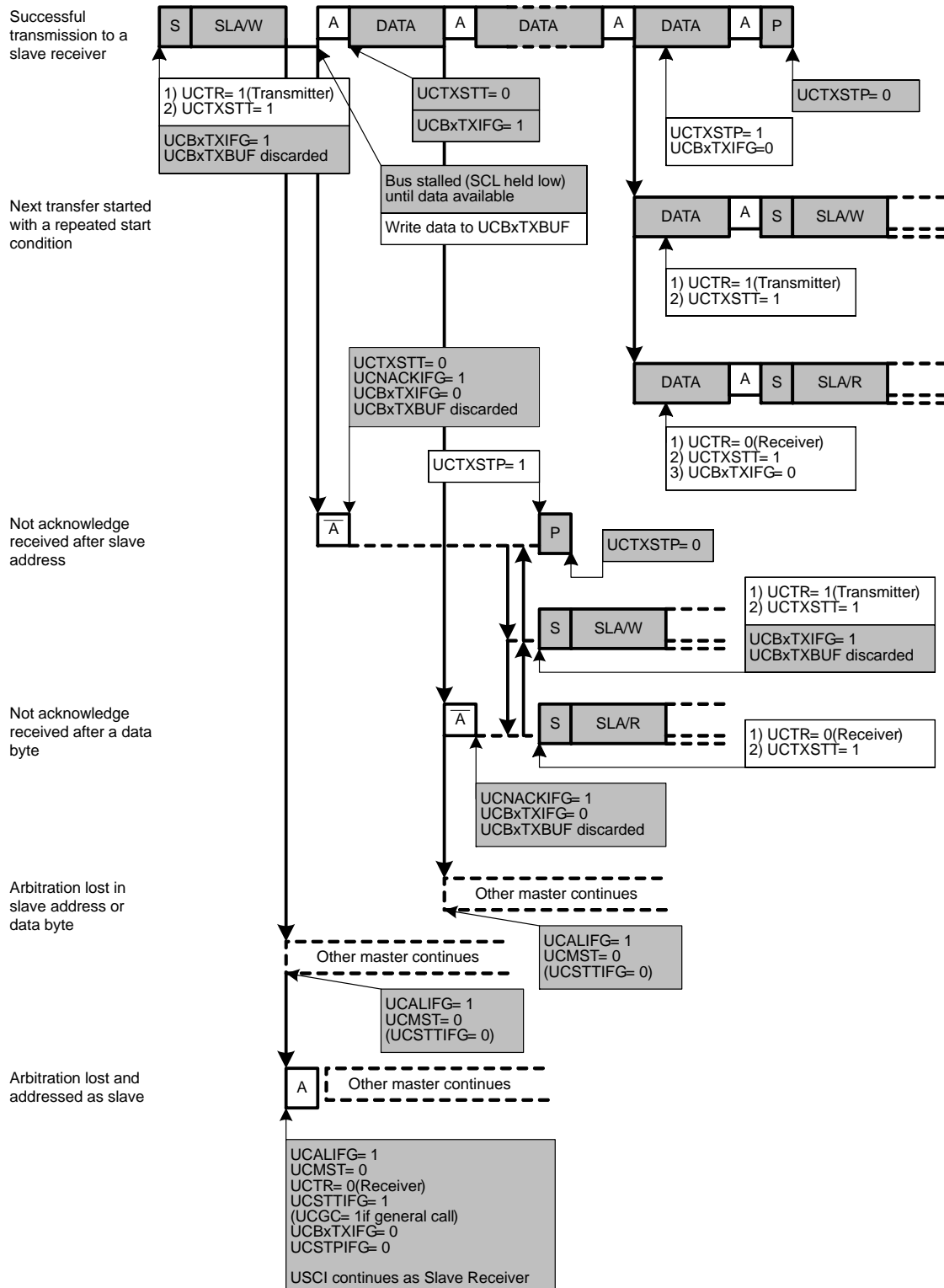
Setting UCTXSTP will generate a STOP condition after the next acknowledge from the slave. If UCTXSTP is set during the transmission of the slave's address or while the USCI module waits for data to be written into UCBxTXBUF, a STOP condition is generated even if no data was transmitted to the slave. When transmitting a single byte of data, the UCTXSTP bit must be set while the byte is being transmitted, or anytime after transmission begins, without writing new data into UCBxTXBUF. Otherwise, only the address will be transmitted. When the data is transferred from the buffer to the shift register, UCBxTXIFG will become set indicating data transmission has begun and the UCTXSTP bit may be set.

Setting UCTXSTT will generate a repeated START condition. In this case, UCTR may be set or cleared to configure transmitter or receiver, and a different slave address may be written into UCBxI2CSA if desired.

If the slave does not acknowledge the transmitted data the not-acknowledge interrupt flag UCNACKIFG is set. The master must react with either a STOP condition or a repeated START condition. If data was already written into UCBxTXBUF it will be discarded. If this data should be transmitted after a repeated START it must be written into UCBxTXBUF again. Any set UCTXSTT is discarded, too. To trigger a repeated start, UCTXSTT needs to be set again.

Figure 21–12 illustrates the I²C master transmitter operation.

Figure 21–12. I²C Master Transmitter Mode



I²C Master Receiver Mode

After initialization, master receiver mode is initiated by writing the desired slave address to the UCBxI2CSA register, selecting the size of the slave address with the UCCLA10 bit, clearing UCTR for receiver mode, and setting UCTXSTT to generate a START condition.

The USCI module checks if the bus is available, generates the START condition, and transmits the slave address. As soon as the slave acknowledges the address the UCTXSTT bit is cleared.

After the acknowledge of the address from the slave the first data byte from the slave is received and acknowledged and the UCBxRXIFG flag is set. Data is received from the slave as long as UCTXSTP or UCTXSTT is not set. If UCBxRXBUF is not read the master holds the bus during reception of the last data bit and until the UCBxRXBUF is read.

If the slave does not acknowledge the transmitted address the not-acknowledge interrupt flag UCNACKIFG is set. The master must react with either a STOP condition or a repeated START condition.

Setting the UCTXSTP bit will generate a STOP condition. After setting UCTXSTP, a NACK followed by a STOP condition is generated after reception of the data from the slave, or immediately if the USCI module is currently waiting for UCBxRXBUF to be read.

If a master wants to receive a single byte only, the UCTXSTP bit must be set while the byte is being received. For this case, the UCTXSTT may be polled to determine when it is cleared:

```

        BIS.B #UCTXSTT,&UCB0CTL1 ;Transmit START cond.
POLL_STT BIT.B #UCTXSTT,&UCB0CTL1 ;Poll UCTXSTT bit
        JC     POLL_STT          ;When cleared,
        BIS.B #UCTXSTP,&UCB0CTL1 ;transmit STOP cond.

```

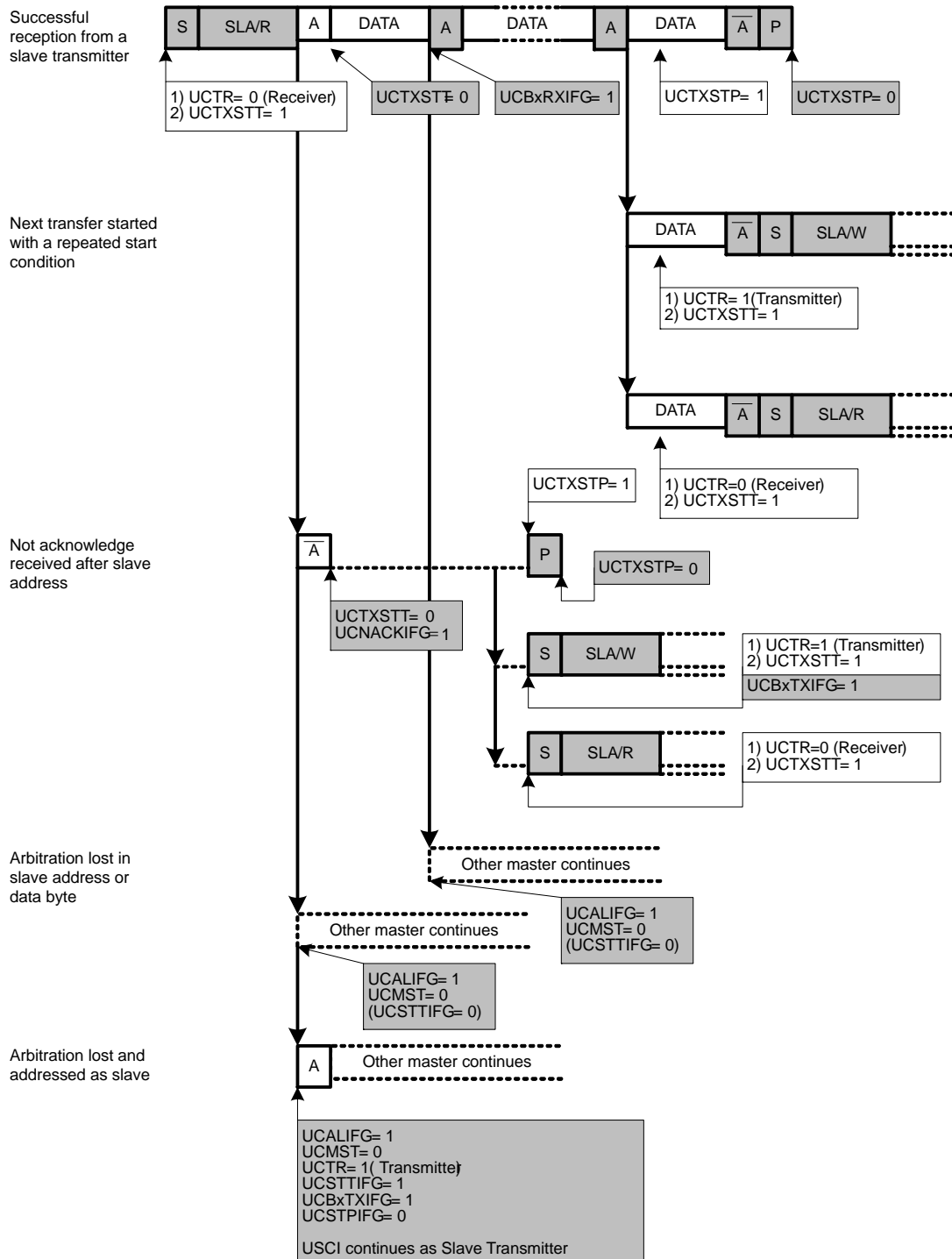
Setting UCTXSTT will generate a repeated START condition. In this case, UCTR may be set or cleared to configure transmitter or receiver, and a different slave address may be written into UCBxI2CSA if desired.

Figure 21–13 illustrates the I²C master receiver operation.

Note: Consecutive Master Transactions Without Repeated Start

When performing multiple consecutive I²C master transactions without the repeated start feature, the current transaction must be completed before the next one is initiated. This can be done by ensuring that the transmit stop condition flag UCTXSTP is cleared before the next I²C transaction is initiated with setting UCTXSTT = 1. Otherwise, the current transaction might be affected.

Figure 21–13. I²C Master Receiver Mode

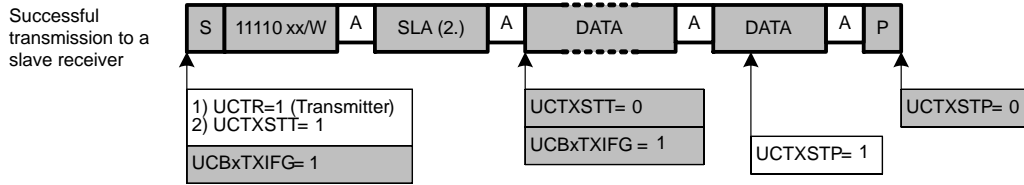


I²C Master 10-Bit Addressing Mode

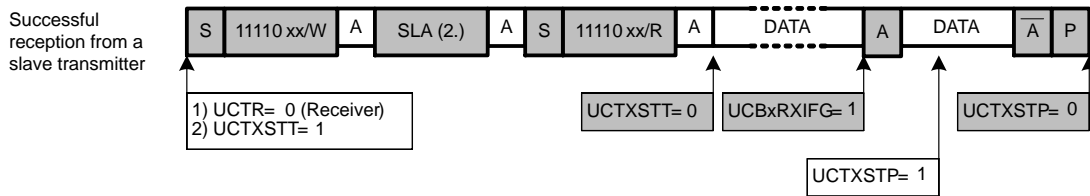
The 10-bit addressing mode is selected when UCSLA10 = 1 and is shown in Figure 21–14.

Figure 21–14. I²C Master 10-bit Addressing Mode

Master Transmitter



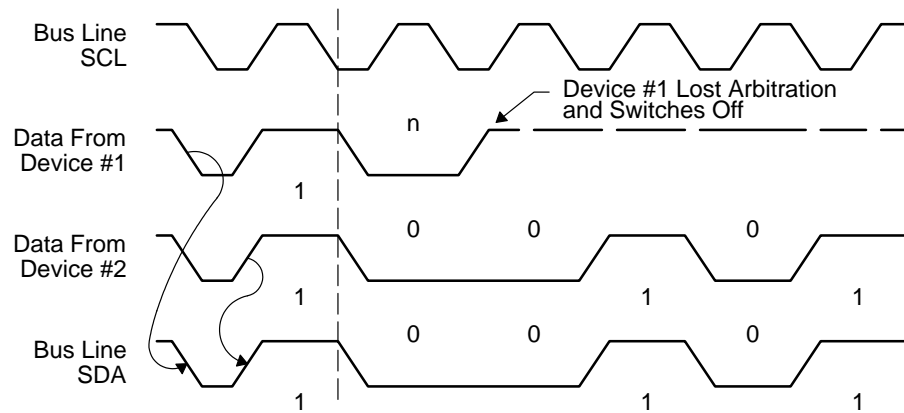
Master Receiver



Arbitration

If two or more master transmitters simultaneously start a transmission on the bus, an arbitration procedure is invoked. Figure 21–15 illustrates the arbitration procedure between two devices. The arbitration procedure uses the data presented on SDA by the competing transmitters. The first master transmitter that generates a logic high is overruled by the opposing master generating a logic low. The arbitration procedure gives priority to the device that transmits the serial data stream with the lowest binary value. The master transmitter that lost arbitration switches to the slave receiver mode, and sets the arbitration lost flag UCALIFG. If two or more devices send identical first bytes, arbitration continues on the subsequent bytes.

Figure 21–15. Arbitration Procedure Between Two Master Transmitters



If the arbitration procedure is in progress when a repeated START condition or STOP condition is transmitted on SDA, the master transmitters involved in arbitration must send the repeated START condition or STOP condition at the same position in the format frame. Arbitration is not allowed between:

- A repeated START condition and a data bit
- A STOP condition and a data bit
- A repeated START condition and a STOP condition

21.3.5 I²C Clock Generation and Synchronization

The I²C clock SCL is provided by the master on the I²C bus. When the USCI is in master mode, BITCLK is provided by the USCI bit clock generator and the clock source is selected with the UCSSELx bits. In slave mode the bit clock generator is not used and the UCSSELx bits are don't care.

The 16-bit value of UCBRx in registers UCBxBR1 and UCBxBR0 is the division factor of the USCI clock source, BRCLK. The maximum bit clock that can be used in single master mode is $f_{BRCLK}/4$. In multi-master mode the maximum bit clock is $f_{BRCLK}/8$. The BITCLK frequency is given by:

$$f_{\text{BitClock}} = \frac{f_{\text{BRCLK}}}{\text{UCBRx}}$$

The minimum high and low periods of the generated SCL are

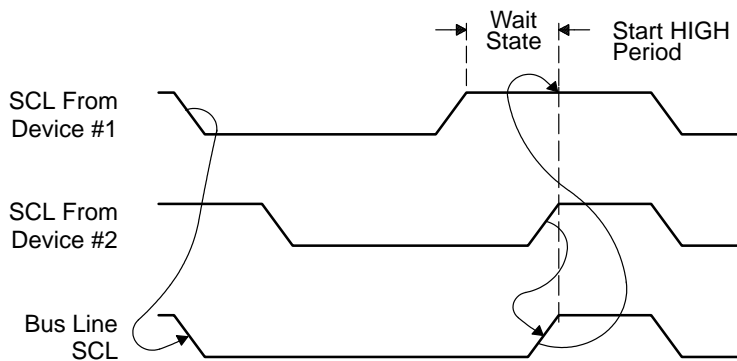
$$t_{\text{LOW,MIN}} = t_{\text{HIGH,MIN}} = \frac{\text{UCBRx}/2}{f_{\text{BRCLK}}} \quad \text{when UCBRx is even and}$$

$$t_{\text{LOW,MIN}} = t_{\text{HIGH,MIN}} = \frac{(\text{UCBRx} - 1)/2}{f_{\text{BRCLK}}} \quad \text{when UCBRx is odd.}$$

The USCI clock source frequency and the prescaler setting UCBRx must to be chosen such that the minimum low and high period times of the I²C specification are met.

During the arbitration procedure the clocks from the different masters must be synchronized. A device that first generates a low period on SCL overrules the other devices forcing them to start their own low periods. SCL is then held low by the device with the longest low period. The other devices must wait for SCL to be released before starting their high periods. Figure 21–16 illustrates the clock synchronization. This allows a slow slave to slow down a fast master.

Figure 21–16. Synchronization of Two I²C Clock Generators During Arbitration



Clock Stretching

The USCI module supports clock stretching and also makes use of this feature as described in the operation mode sections.

The UCSCLLOW bit can be used to observe if another device pulls SCL low while the USCI module already released SCL due to the following conditions:

- USCI is acting as master and a connected slave drives SCL low.
- USCI is acting as master and another master drives SCL low during arbitration.

The UCSCLLOW bit is also active if the USCI holds SCL low because it is waiting as transmitter for data being written into UCBxTXBUF or as receiver for the data being read from UCBxRXBUF.

The UCSCLLOW bit might get set for a short time with each rising SCL edge because the logic observes the external SCL and compares it to the internally generated SCL.

21.3.6 Using the USCI Module in I²C Mode With Low-Power Modes

The USCI module provides automatic clock activation for SMCLK for use with low-power modes. When SMCLK is the USCI clock source, and is inactive because the device is in a low-power mode, the USCI module automatically activates it when needed, regardless of the control-bit settings for the clock source. The clock remains active until the USCI module returns to its idle condition. After the USCI module returns to the idle condition, control of the clock source reverts to the settings of its control bits. Automatic clock activation is not provided for ACLK.

When the USCI module activates an inactive clock source, the clock source becomes active for the whole device and any peripheral configured to use the clock source may be affected. For example, a timer using SMCLK will increment while the USCI module forces SMCLK active.

In I²C slave mode no internal clock source is required because the clock is provided by the external master. It is possible to operate the USCI in I²C slave mode while the device is in LPM4 and all internal clock sources are disabled. The receive or transmit interrupts can wake up the CPU from any low power mode.

21.3.7 USCI Interrupts in I²C Mode

There are two interrupt vectors for the USCI module in I²C mode. One interrupt vector is associated with the transmit and receive interrupt flags. The other interrupt vector is associated with the four state change interrupt flags. Each interrupt flag has its own interrupt enable bit. When an interrupt is enabled, and the GIE bit is set, the interrupt flag will generate an interrupt request. DMA transfers are controlled by the UCBxTXIFG and UCBxRXIFG flags on devices with a DMA controller.

I²C Transmit Interrupt Operation

The UCBxTXIFG interrupt flag is set by the transmitter to indicate that UCBxTXBUF is ready to accept another character. An interrupt request is generated if UCBxTXIE and GIE are also set. UCBxTXIFG is automatically reset if a character is written to UCBxTXBUF or if a NACK is received. UCBxTXIFG is set when UCSWRST = 1 and the I²C mode is selected. UCBxTXIE is reset after a PUC or when UCSWRST = 1.

I²C Receive Interrupt Operation

The UCBxRXIFG interrupt flag is set when a character is received and loaded into UCBxRXBUF. An interrupt request is generated if UCBxRXIE and GIE are also set. UCBxRXIFG and UCBxRXIE are reset after a PUC signal or when UCSWRST = 1. UCBxRXIFG is automatically reset when UCBxRXBUF is read.

I²C State Change Interrupt Operation.

Table 21–1 Describes the I²C state change interrupt flags.

Table 21–1. I²C State Change Interrupt Flags

Interrupt Flag	Interrupt Condition
UCALIFG	Arbitration-lost. Arbitration can be lost when two or more transmitters start a transmission simultaneously, or when the USCI operates as master but is addressed as a slave by another master in the system. The UCALIFG flag is set when arbitration is lost. When UCALIFG is set the UCMST bit is cleared and the I ² C controller becomes a slave.
UCNACKIFG	Not-acknowledge interrupt. This flag is set when an acknowledge is expected but is not received. UCNACKIFG is automatically cleared when a START condition is received.
UCSTTIFG	Start condition detected interrupt. This flag is set when the I ² C module detects a START condition together with its own address while in slave mode. UCSTTIFG is used in slave mode only and is automatically cleared when a STOP condition is received.
UCSTPIFG	Stop condition detected interrupt. This flag is set when the I ² C module detects a STOP condition while in slave mode. UCSTPIFG is used in slave mode only and is automatically cleared when a START condition is received.

Interrupt Vector Assignment

USCI_Ax and USCI_Bx share the same interrupt vectors. In I²C mode the state change interrupt flags UCSTTIFG, UCSTPIFG, UCNACKIFG, UCALIFG from USCI_Bx and UCAxRXIFG from USCI_Ax are routed to one interrupt vector. The I²C transmit and receive interrupt flags UCBxTXIFG and UCBxRXIFG from USCI_Bx and UCAxTXIFG from USCI_Ax share another interrupt vector.

Shared Interrupt Vectors Software Example

The following software example shows an extract of the interrupt service routine to handle data receive interrupts from USCI_A0 in either UART or SPI mode and state change interrupts from USCI_B0 in I²C mode.

```
USCIA0_RX_USCIB0_I2C_STATE_ISR
    BIT.B #UCA0RXIFG, &IFG2 ; USCI_A0 Receive Interrupt?
    JNZ   USCIA0_RX_ISR
USCIB0_I2C_STATE_ISR
    ; Decode I2C state changes ...
    ; Decode I2C state changes ...
    ...
    RETI
USCIA0_RX_ISR
    ; Read UCA0RXBUF ... - clears UCA0RXIFG
    ...
    RETI
```

The following software example shows an extract of the interrupt service routine that handles data transmit interrupts from USCI_A0 in either UART or SPI mode and the data transfer interrupts from USCI_B0 in I²C mode.

```
USCIA0_TX_USCIB0_I2C_DATA_ISR
    BIT.B #UCA0TXIFG, &IFG2 ; USCI_A0 Transmit Interrupt?
    JNZ   USCIA0_TX_ISR
USCIB0_I2C_DATA_ISR
    BIT.B #UCB0RXIFG, &IFG2
    JNZ   USCIB0_I2C_RX
USCIB0_I2C_TX
    ; Write UCB0TXBUF... - clears UCB0TXIFG
    ...
    RETI
USCIB0_I2C_RX
    ; Read UCB0RXBUF... - clears UCB0RXIFG
    ...
    RETI
USCIA0_TX_ISR
    ; Write UCA0TXBUF ... - clears UCA0TXIFG
    ...
    RETI
```

21.4 USCI Registers: I²C Mode

The USCI registers applicable in I²C mode for USCI_B0 are listed in Table 21–2 and for USCI_B1 in Table 21–3.

Table 21–2. USCI_B0 Control and Status Registers

Register	Short Form	Register Type	Address	Initial State
USCI_B0 control register 0	UCB0CTL0	Read/write	068h	001h with PUC
USCI_B0 control register 1	UCB0CTL1	Read/write	069h	001h with PUC
USCI_B0 bit rate control register 0	UCB0BR0	Read/write	06Ah	Reset with PUC
USCI_B0 bit rate control register 1	UCB0BR1	Read/write	06Bh	Reset with PUC
USCI_B0 I ² C interrupt enable register	UCB0I2CIE	Read/write	06Ch	Reset with PUC
USCI_B0 status register	UCB0STAT	Read/write	06Dh	Reset with PUC
USCI_B0 receive buffer register	UCB0RXBUF	Read	06Eh	Reset with PUC
USCI_B0 transmit buffer register	UCB0TXBUF	Read/write	06Fh	Reset with PUC
USCI_B0 I2C own address register	UCB0I2COA	Read/write	0118h	Reset with PUC
USCI_B0 I2C slave address register	UCB0I2CSA	Read/write	011Ah	Reset with PUC
SFR interrupt enable register 2	IE2	Read/write	001h	Reset with PUC
SFR interrupt flag register 2	IFG2	Read/write	003h	00Ah with PUC

Note: Modifying SFR bits

To avoid modifying control bits of other modules, it is recommended to set or clear the IEx and IFGx bits using `BIS.B` or `BIC.B` instructions, rather than `MOV.B` or `CLR.B` instructions.

Table 21–3. USCI_B1 Control and Status Registers

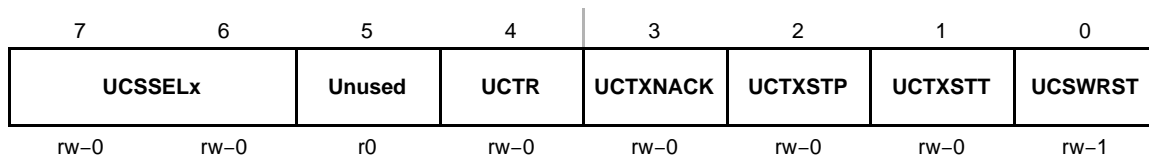
Register	Short Form	Register Type	Address	Initial State
USCI_B1 control register 0	UCB1CTL0	Read/write	0D8h	Reset with PUC
USCI_B1 control register 1	UCB1CTL1	Read/write	0D9h	001h with PUC
USCI_B1 baud rate control register 0	UCB1BR0	Read/write	0DAh	Reset with PUC
USCI_B1 baud rate control register 1	UCB1BR1	Read/write	0DBh	Reset with PUC
USCI_B1 I ² C Interrupt enable register	UCB1I2CIE	Read/write	0DCh	Reset with PUC
USCI_B1 status register	UCB1STAT	Read/write	0DDh	Reset with PUC
USCI_B1 receive buffer register	UCB1RXBUF	Read	0DEh	Reset with PUC
USCI_B1 transmit buffer register	UCB1TXBUF	Read/write	0DFh	Reset with PUC
USCI_B1 I2C own address register	UCB1I2COA	Read/write	017Ch	Reset with PUC
USCI_B1 I2C slave address register	UCB1I2CSA	Read/write	017Eh	Reset with PUC
USCI_A1/B1 interrupt enable register	UC1IE	Read/write	006h	Reset with PUC
USCI_A1/B1 interrupt flag register	UC1IFG	Read/write	007h	00Ah with PUC

UCBxCTL0, USCI_Bx Control Register 0

7	6	5	4	3	2	1	0
UCA10	UCSLA10	UCMM	Unused	UCMST	UCMODEx=11		UCSYNC=1
rw-0	rw-0	rw-0	rw-0	rw-0	rw-0	rw-0	r-1

UCA10	Bit 7	Own addressing mode select 0 Own address is a 7-bit address 1 Own address is a 10-bit address
UCSLA10	Bit 6	Slave addressing mode select 0 Address slave with 7-bit address 1 Address slave with 10-bit address
UCMM	Bit 5	Multi-master environment select 0 Single master environment. There is no other master in the system. The address compare unit is disabled. 1 Multi master environment
Unused	Bit 4	Unused
UCMST	Bit 3	Master mode select. When a master loses arbitration in a multi-master environment (UCMM = 1) the UCMST bit is automatically cleared and the module acts as slave. 0 Slave mode 1 Master mode
UCMODEx	Bits 2-1	USCI Mode. The UCMODEx bits select the synchronous mode when UCSYNC = 1. 00 3-pin SPI 01 4-Pin SPI (master/slave enabled if STE = 1) 10 4-Pin SPI (master/slave enabled if STE = 0) 11 I ² C mode
UCSYNC	Bit 0	Synchronous mode enable 0 Asynchronous mode 1 Synchronous mode

UCBxCTL1, USCI_Bx Control Register 1



- UCSSELx** Bits 7-6 USCI clock source select. These bits select the BRCLK source clock.

 - 00 UCLKI
 - 01 ACLK
 - 10 SMCLK
 - 11 SMCLK

- Unused** Bit 5 Unused

- UCTR** Bit 4 Transmitter/Receiver

 - 0 Receiver
 - 1 Transmitter

- UCTXNACK** Bit 3 Transmit a NACK. UCTXNACK is automatically cleared after a NACK is transmitted.

 - 0 Acknowledge normally
 - 1 Generate NACK

- UCTXSTP** Bit 2 Transmit STOP condition in master mode. Ignored in slave mode. In master receiver mode the STOP condition is preceded by a NACK. UCTXSTP is automatically cleared after STOP is generated.

 - 0 No STOP generated
 - 1 Generate STOP

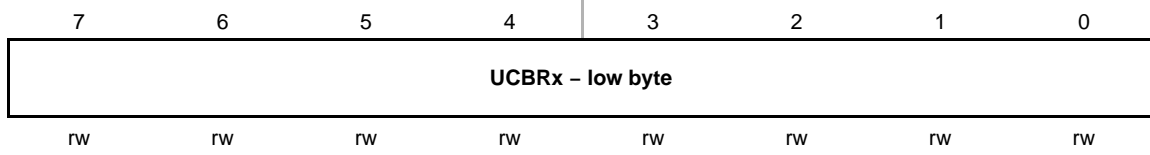
- UCTXSTT** Bit 1 Transmit START condition in master mode. Ignored in slave mode. In master receiver mode a repeated START condition is preceded by a NACK. UCTXSTT is automatically cleared after START condition and address information is transmitted. Ignored in slave mode.

 - 0 Do not generate START condition
 - 1 Generate START condition

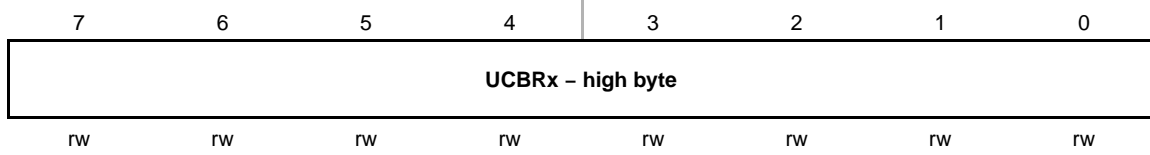
- UCSWRST** Bit 0 Software reset enable

 - 0 Disabled. USCI reset released for operation.
 - 1 Enabled. USCI logic held in reset state.

UCBxBR0, USCI_Bx Baud Rate Control Register 0



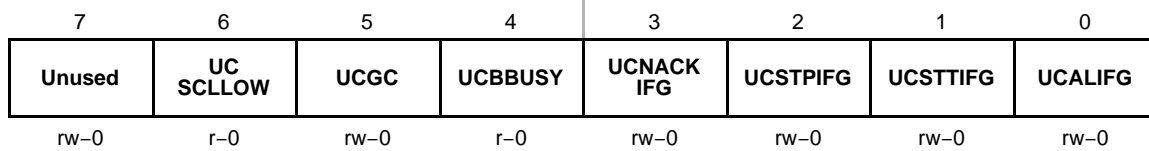
UCBxBR1, USCI_Bx Baud Rate Control Register 1



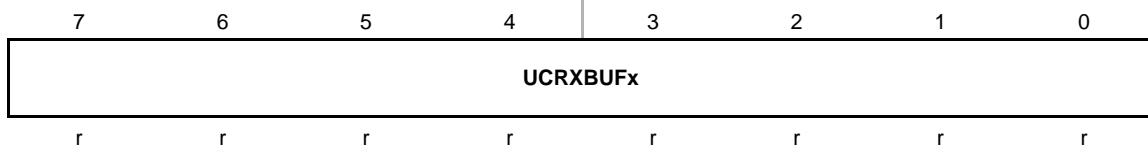
UCBRx

Bit clock prescaler setting.
 The 16-bit value of $(UCBxBR0 + UCBxBR1 \times 256)$ forms the prescaler value.

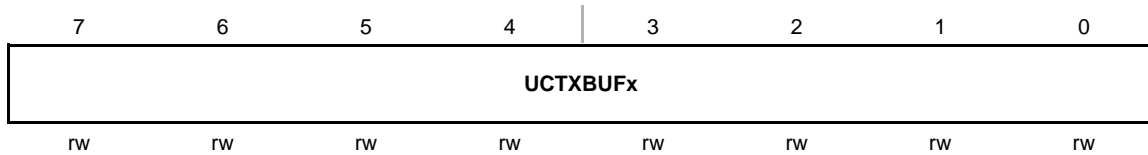
UCBxSTAT, USCI_Bx Status Register



Unused	Bit 7	Unused.
UC SCLLOW	Bit 6	SCL low
		0 SCL is not held low 1 SCL is held low
UCGC	Bit 5	General call address received. UCGC is automatically cleared when a START condition is received.
		0 No general call address received 1 General call address received
UCBBUSY	Bit 4	Bus busy
		0 Bus inactive 1 Bus busy
UCNACK IFG	Bit 3	Not-acknowledge received interrupt flag. UCNACKIFG is automatically cleared when a START condition is received.
		0 No interrupt pending 1 Interrupt pending
UCSTPIFG	Bit 2	Stop condition interrupt flag. UCSTPIFG is automatically cleared when a START condition is received.
		0 No interrupt pending 1 Interrupt pending
UCSTTIFG	Bit 1	Start condition interrupt flag. UCSTTIFG is automatically cleared if a STOP condition is received.
		0 No interrupt pending 1 Interrupt pending
UCALIFG	Bit 0	Arbitration lost interrupt flag
		0 No interrupt pending 1 Interrupt pending

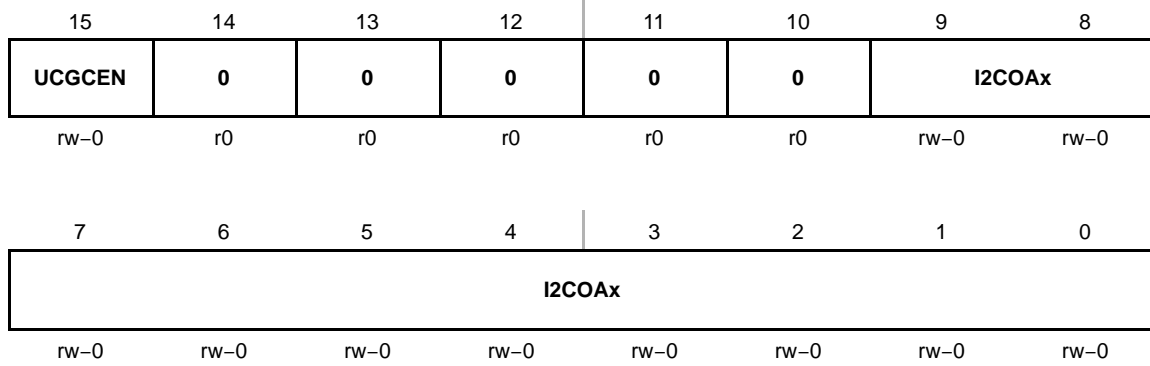
UCBxRXBUF, USCI_Bx Receive Buffer Register

UCRXBUFx Bits 7-0 The receive-data buffer is user accessible and contains the last received character from the receive shift register. Reading UCBxRXBUF resets UCBxRXIFG.

UCBxTXBUF, USCI_Bx Transmit Buffer Register

UCTXBUFx Bits 7-0 The transmit data buffer is user accessible and holds the data waiting to be moved into the transmit shift register and transmitted. Writing to the transmit data buffer clears UCBxTXIFG.

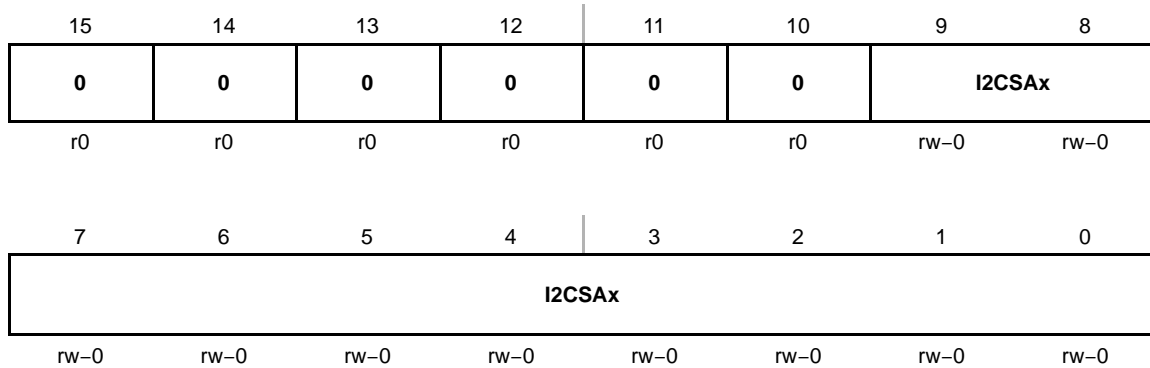
UCBxI2COA, USCIBx I²C Own Address Register



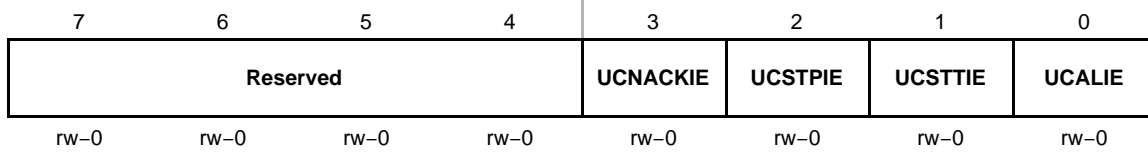
UCGCEN Bit 15 General call response enable
 0 Do not respond to a general call
 1 Respond to a general call

I2COAx Bits 9-0 I²C own address. The I2COAx bits contain the local address of the USCI_Bx I²C controller. The address is right-justified. In 7-bit addressing mode Bit 6 is the MSB, Bits 9-7 are ignored. In 10-bit addressing mode Bit 9 is the MSB.

UCBxI2CSA, USCIBx I²C Slave Address Register

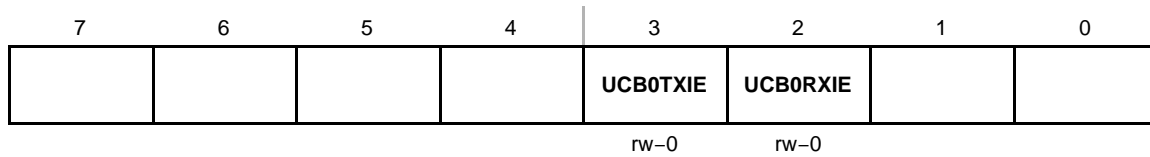


I2CSAx Bits 9-0 I²C slave address. The I2CSAx bits contain the slave address of the external device to be addressed by the USCI_Bx module. It is only used in master mode. The address is right-justified. In 7-bit slave addressing mode Bit 6 is the MSB, Bits 9-7 are ignored. In 10-bit slave addressing mode Bit 9 is the MSB.

UCBxI2CIE, USCI_Bx I²C Interrupt Enable Register

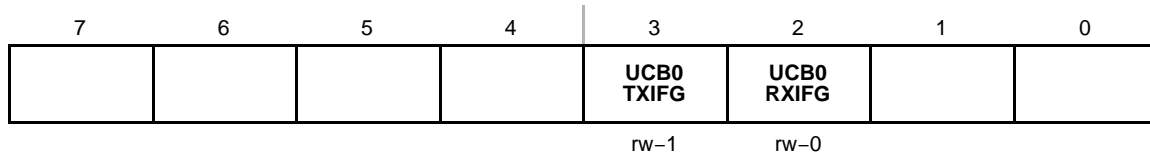
Reserved	Bits 7-4	Reserved
UCNACKIE	Bit 3	Not-acknowledge interrupt enable 0 Interrupt disabled 1 Interrupt enabled
UCSTPIE	Bit 2	Stop condition interrupt enable 0 Interrupt disabled 1 Interrupt enabled
UCSTTIE	Bit 1	Start condition interrupt enable 0 Interrupt disabled 1 Interrupt enabled
UCALIE	Bit 0	Arbitration lost interrupt enable 0 Interrupt disabled 1 Interrupt enabled

IE2, Interrupt Enable Register 2



- Bits 7-4: These bits may be used by other modules (see the device-specific data sheet).
- UCB0TXIE** Bit 3: USCI_B0 transmit interrupt enable
 0 Interrupt disabled
 1 Interrupt enabled
- UCB0RXIE** Bit 2: USCI_B0 receive interrupt enable
 0 Interrupt disabled
 1 Interrupt enabled
- Bits 1-0: These bits may be used by other modules (see the device-specific data sheet).

IFG2, Interrupt Flag Register 2



- Bits 7-4: These bits may be used by other modules (see the device-specific data sheet).
- UCB0 TXIFG** Bit 3: USCI_B0 transmit interrupt flag. UCB0TXIFG is set when UCB0TXBUF is empty.
 0 No interrupt pending
 1 Interrupt pending
- UCB0 RXIFG** Bit 2: USCI_B0 receive interrupt flag. UCB0RXIFG is set when UCB0RXBUF has received a complete character.
 0 No interrupt pending
 1 Interrupt pending
- Bits 1-0: These bits may be used by other modules (see the device-specific data sheet).

UC1IE, USCI_B1 Interrupt Enable Register

7	6	5	4	3	2	1	0
Unused	Unused	Unused	Unused	UCB1TXIE	UCB1RXIE		
rw-0	rw-0	rw-0	rw-0	rw-0	rw-0		

Unused	Bits 7-4	Unused
UCB1TXIE	Bit 3	USCI_B1 transmit interrupt enable 0 Interrupt disabled 1 Interrupt enabled
UCB1RXIE	Bit 2	USCI_B1 receive interrupt enable 0 Interrupt disabled 1 Interrupt enabled
	Bits 1-0	These bits may be used by other USCI modules (see the device-specific data sheet).

UC1IFG, USCI_B1 Interrupt Flag Register

7	6	5	4	3	2	1	0
Unused	Unused	Unused	Unused	UCB1 TXIFG	UCB1 RXIFG		
rw-0	rw-0	rw-0	rw-0	rw-1	rw-0		

Unused	Bits 7-4	Unused.
UCB1 TXIFG	Bit 3	USCI_B1 transmit interrupt flag. UCB1TXIFG is set when UCB1TXBUF is empty. 0 No interrupt pending 1 Interrupt pending
UCB1 RXIFG	Bit 2	USCI_B1 receive interrupt flag. UCB1RXIFG is set when UCB1RXBUF has received a complete character. 0 No interrupt pending 1 Interrupt pending
	Bits 1-0	These bits may be used by other modules (see the device-specific data sheet).



The OA is a general purpose operational amplifier. This chapter describes the OA. Three OA modules are implemented in the MSP430FG43x and MSP430xG461x devices. Two OA modules are implemented in the MSP430FG42x0 and MSP430FG47x devices.

Topic	Page
22.1 OA Introduction	22-2
22.2 OA Operation	22-4
22.3 OA Modules in MSP430FG42x0 Devices	22-11
22.4 OA Modules in MSP430FG47x Devices	22-16
22.5 OA Registers	22-24
22.6 OA Registers in MSP430FG42x0 Devices	22-27
22.7 OA Registers in MSP430FG47x Devices	22-31

22.1 OA Introduction

The OA op amps support front-end analog signal conditioning prior to analog-to-digital conversion.

Features of the OA include:

- Single supply, low-current operation
- Rail-to-rail output
- Software selectable rail-to-rail input
- Programmable settling time vs power consumption
- Software selectable configurations
- Software selectable feedback resistor ladder for PGA implementations

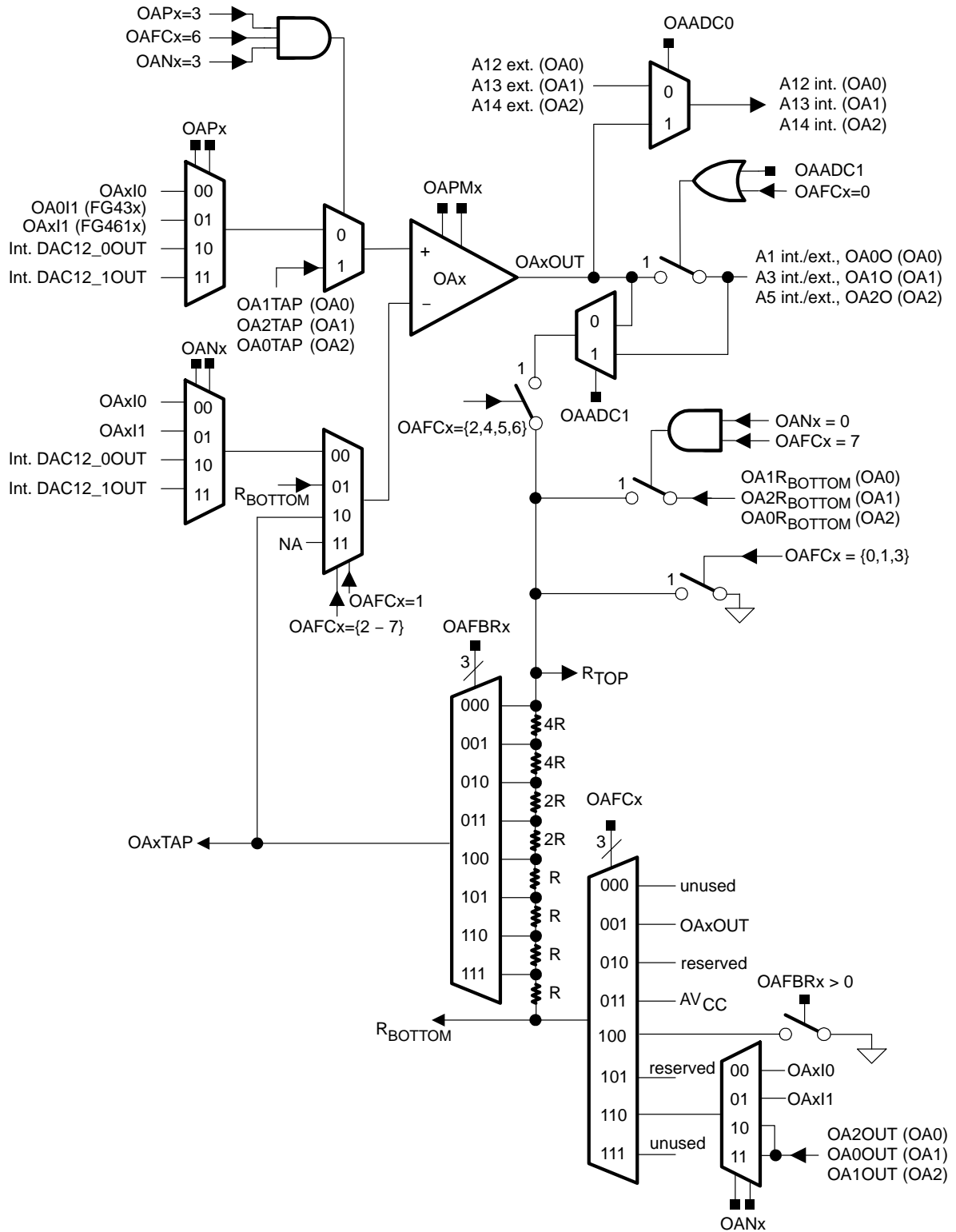
Note: Multiple OA Modules

Some devices may integrate more than one OA module. If more than one OA module is present on a device, the multiple OA modules operate identically.

Throughout this chapter, nomenclature appears such as OAxCTL0 to describe register names. When this occurs, the x is used to indicate which OA module is being discussed. In cases where operation is identical, the register is simply referred to as OAxCTL0.

The block diagram of the OA module is shown in Figure 22–1.

Figure 22–1. OA Block Diagram



22.2 OA Operation

The OA module is configured with user software. The setup and operation of the OA is discussed in the following sections.

22.2.1 OA Amplifier

The OA is a configurable low-current rail-to-rail operational amplifier. It can be configured as an inverting amplifier or a non-inverting amplifier, or it can be combined with other OA modules to form differential amplifiers. The output slew rate of the OA can be configured for optimized settling time vs power consumption with the OAPMx bits. When OAPMx = 00, the OA is off, and the output is high-impedance. When OAPMx > 0, the OA is on. See the device-specific data sheet for parameters.

22.2.2 OA Input

The OA has configurable input selection. The signals for the + and – inputs are individually selected with the OANx and OAPx bits and can be selected as external signals or internal signals from one of the DAC12 modules. One of the non-inverting inputs is tied together internally for all OA modules.

The OA input signal swing is software selectable with the OARRIP bit. When OARRIP = 0, rail-to-rail input mode is selected, and the OA uses higher quiescent current. See the device data sheet for parameters.

22.2.3 OA Output

The OA has configurable output selection. The OA output signals can be routed to ADC12 inputs A12 (OA0), A13 (OA1), or A14 (OA2) with the OAADC0 bit. When OAADC0 = 1 and OAPMx > 0, the OA output is connected internally to the corresponding ADC input, and the external ADC input is not connected. The OA output signals can also be routed to ADC12 inputs A1 (OA0), A3 (OA1), or A5 (OA2) when OAFcx = 0 or when OAADC1 = 1. In this case, the OA output is connected to both the ADC12 input internally and the corresponding pin on the device. The OA output is also connected to an internal R-ladder with the OAFcx bits. The R-ladder tap is selected with the OAFBRx bits to provide programmable gain amplifier functionality.

22.2.4 OA Configurations

The OA can be configured for different amplifier functions with the OAF_{Cx} bits, as listed in Table 22–1.

Table 22–1. OA Mode Select

OAF _{Cx}	OA Mode
000	General-purpose op amp
001	Unity gain buffer
010	Reserved
011	Comparator
100	Non-inverting PGA amplifier
101	Reserved
110	Inverting PGA amplifier
111	Differential amplifier

General-Purpose Opamp Mode

In this mode, the feedback resistor ladder is isolated from the O_{Ax}, and the O_{Ax}CTL0 bits define the signal routing. The O_{Ax} inputs are selected with the OAP_x and OAN_x bits. The O_{Ax} output is connected internally to the ADC12 input channel as selected by the O_{Ax}CTL0 bits.

Unity Gain Mode

In this mode, the output of the O_{Ax} is connected to R_{BOTTOM}, and the inverting input of the O_{Ax} providing a unity-gain buffer. The non-inverting input is selected by the OAP_x bits. The external connection for the inverting input is disabled, and the OAN_x bits are don't care. The O_{Ax} output is connected internally to the ADC12 input channel as selected by the O_{Ax}CTL0 bits.

Comparator Mode

In this mode, the output of the O_{Ax} is isolated from the resistor ladder. R_{TOP} is connected to AV_{SS}, and R_{BOTTOM} is connected to AV_{CC}. The O_{Ax}TAP signal is connected to the inverting input of the O_{Ax}, providing a comparator with a programmable threshold voltage selected by the OAFBR_x bits. The non-inverting input is selected by the OAP_x bits. Hysteresis can be added by an external positive feedback resistor. The external connection for the inverting input is disabled, and the OAN_x bits are don't care. The O_{Ax} output is connected internally to the ADC12 input channel as selected by the O_{Ax}CTL0 bits.

Non-Inverting PGA Mode

In this mode, the output of the OAx is connected to R_{TOP} , and R_{BOTTOM} is connected to AV_{SS} . The OAxTAP signal is connected to the inverting input of the OAx, providing a non-inverting amplifier configuration with a programmable gain of $[1 + \text{OAxTAP ratio}]$. The OAxTAP ratio is selected by the OAFBRx bits. If the OAFBRx bits = 0, the gain is unity. The non-inverting input is selected by the OAPx bits. The external connection for the inverting input is disabled, and the OANx bits are don't care. The OAx output is connected internally to the ADC12 input channel as selected by the OAxCTL0 bits.

Inverting PGA Mode

In this mode, the output of the OAx is connected to R_{TOP} , and R_{BOTTOM} is connected to an analog multiplexer that multiplexes the OAxI0, OAxI1, or the output of one of the remaining OAs, selected with the OANx bits. The OAxTAP signal is connected to the inverting input of the OAx, providing an inverting amplifier with a gain of $-\text{OAxTAP ratio}$. The OAxTAP ratio is selected by the OAFBRx bits. The non-inverting input is selected by the OAPx bits. The OAx output is connected internally to the ADC12 input channel as selected by the OAxCTL0 bits.

Differential Amplifier Mode

This mode allows internal routing of the OA signals for a two-opamp or three-opamp instrumentation amplifier. Figure 22–2 shows a two-opamp configuration with OA0 and OA1. In this mode, the output of the OAx is connected to R_{TOP} by routing through another OAx in the Inverting PGA mode. R_{BOTTOM} is unconnected, providing a unity-gain buffer. This buffer is combined with one or two remaining OAx modules to form the differential amplifier. The OAx output is connected internally to the ADC12 input channel as selected by the OAxCTL0 bits.

Figure 22–2 shows an example of a two-opamp differential amplifier using OA0 and OA1. The control register settings and are shown in Table 22–2. The gain for the amplifier is selected by the OAFBRx bits for OA1 and is shown in Table 22–3. The OAx interconnections are shown in Figure 22–3.

Table 22–2. Two-Opamp Differential Amplifier Control Register Settings

Register	Settings (Binary)
OA0CTL0	00 xx xx 0 0
OA0CTL1	000 111 0 x
OA1CTL0	10 xx xx x x
OA1CTL1	xxx 110 0 x

Table 22–3. Two-Opamp Differential Amplifier Gain Settings

OA1 OAFBRx	Gain
000	0
001	1/3
010	1
011	1 2/3
100	3
101	4 1/3
110	7
111	15

Figure 22–2. Two Opamp Differential Amplifier

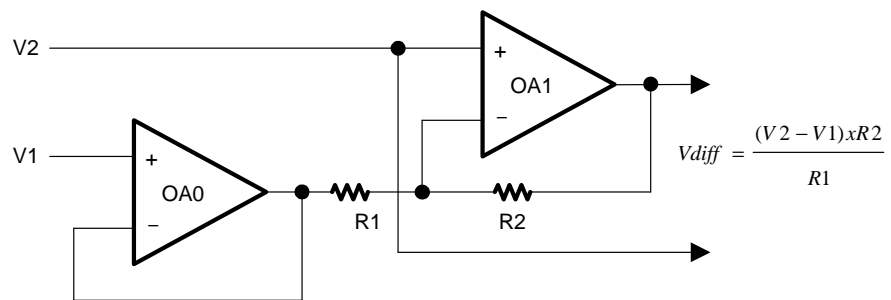


Figure 22–3. Two Opamp Differential Amplifier OAx Interconnections

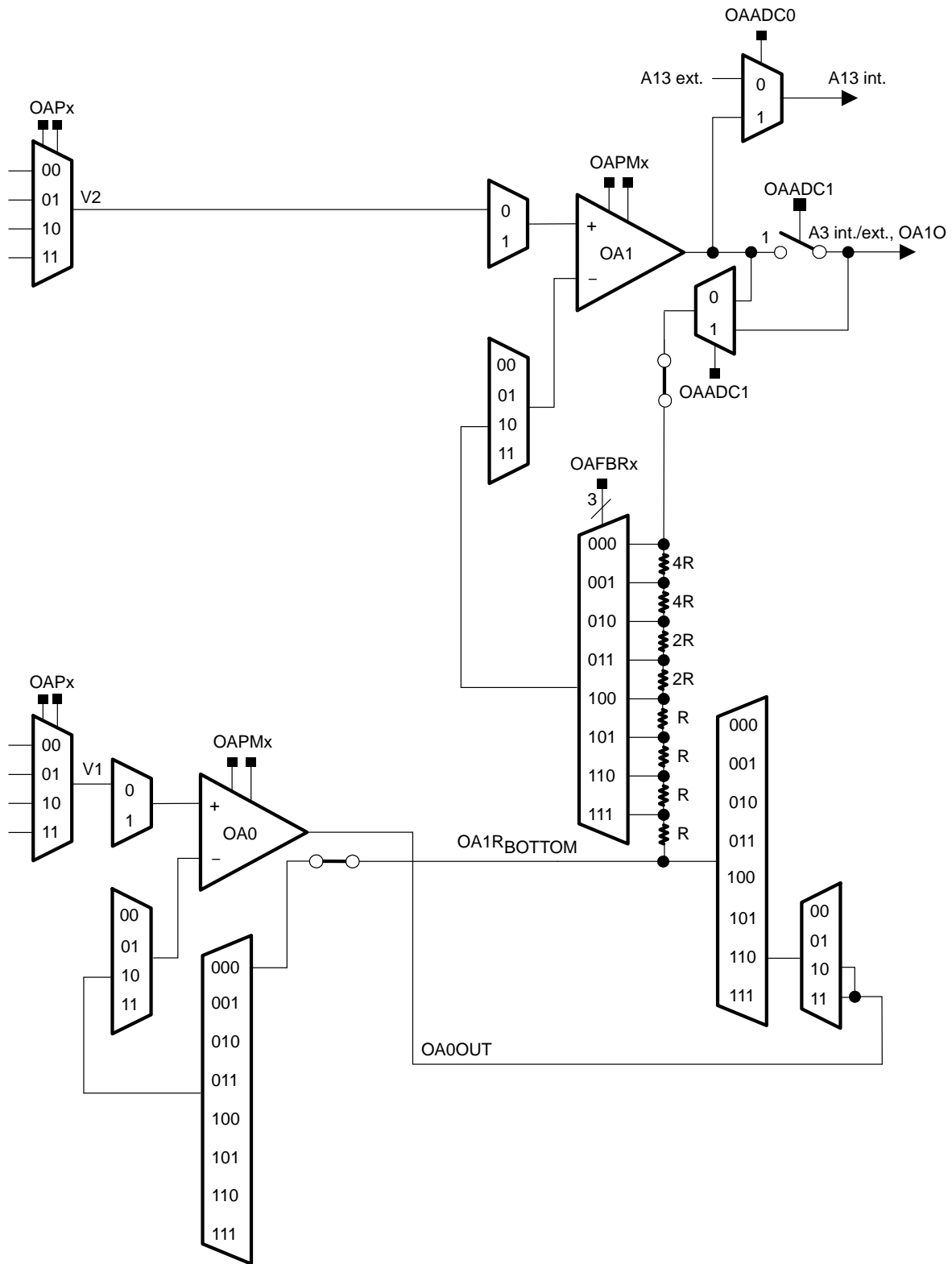


Figure 22–4 shows an example of a three-opamp differential amplifier using OA0, OA1, and OA2. The control register settings are shown in Table 22–4. The gain for the amplifier is selected by the OAFBRx bits of OA0 and OA2. The OAFBRx settings for both OA0 and OA2 must be equal. The gain settings are shown in Table 22–5. The OAx interconnections are shown in Figure 22–5.

Table 22–4. Three-Opamp Differential Amplifier Control Register Settings

Register	Settings (Binary)
OA0CTL0	00 xx xx 0 0
OA0CTL1	xxx 001 0 x
OA1CTL0	00 xx xx 0 0
OA1CTL1	000 111 0 x
OA2CTL0	11 11 xx x x
OA2CTL1	xxx 110 0 x

Table 22–5. Three-Opamp Differential Amplifier Gain Settings

OA0/OA2 OAFBRx	Gain
000	0
001	1/3
010	1
011	1 2/3
100	3
101	4 1/3
110	7
111	15

Figure 22–4. Three-Opamp Differential Amplifier

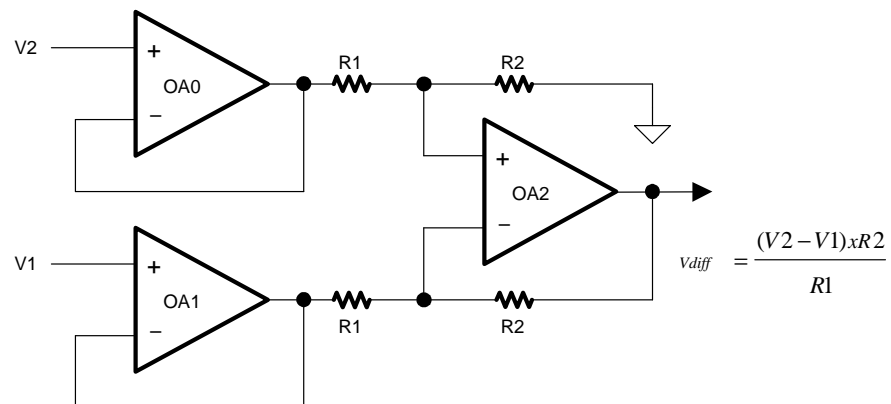
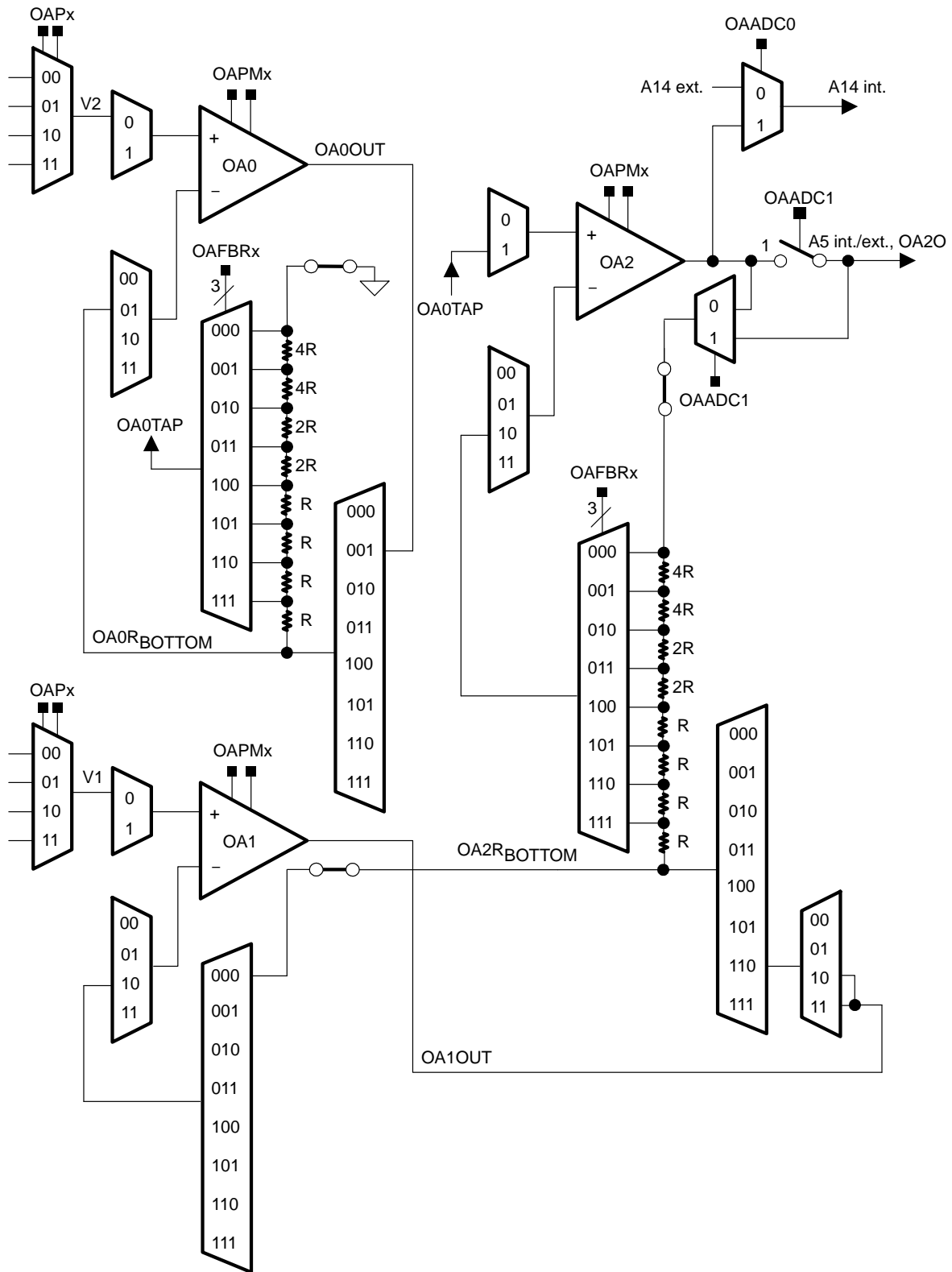


Figure 22–5. Three-Opamp Differential Amplifier OAx Interconnections

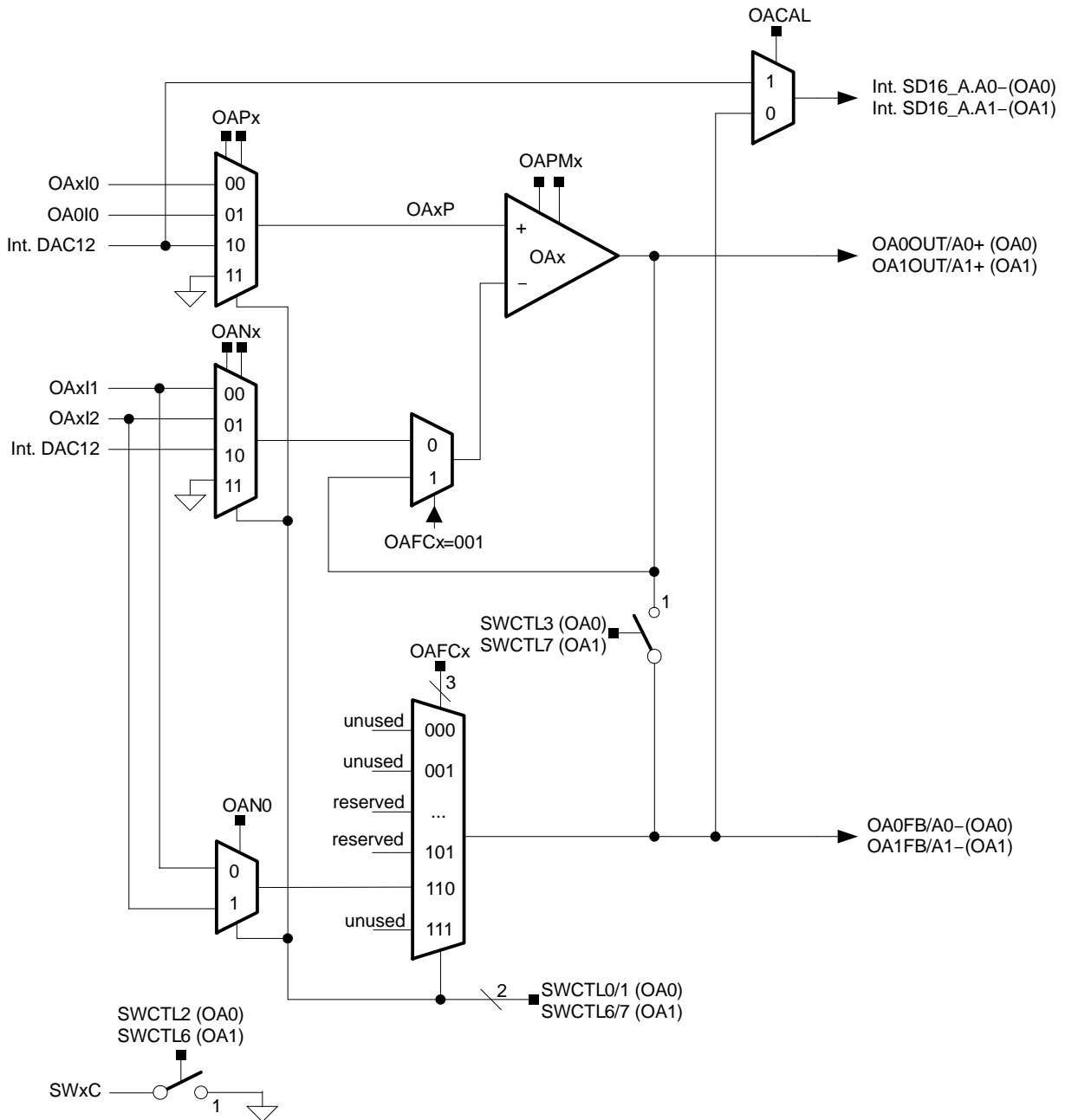


22.3 OA Modules in MSP430FG42x0 Devices

In MSP430FG42x0 devices, two operational amplifiers, a DAC, and a sigma-delta converter are combined into a measurement front end. The DAC12 module and the SD16A_1 module are described in separate chapters.

The block diagram of the operational amplifier is shown in Figure 22–6.

Figure 22–6. FG42x0 Operational Amplifiers Block Diagram



22.3.1 OA Amplifier

Each OA is a configurable low-current operational amplifier that can be configured as an inverting amplifier or a non-inverting amplifier.

22.3.2 OA Inputs

The OA has configurable input selection. The signals for the + and – inputs are individually selected with the OANx and OAPx bits and can be selected as external signals or internal signals from the DAC12 modules or VSS. One of the non-inverting inputs (OA0I0) is tied together internally for all OA modules.

The SWCTL0, SWCTL1, SWCTL4, and SWCTL5 bits force settings of the OANx and OAPx bits. See section Switch Control for more details.

22.3.3 OA Outputs

The OA outputs are routed to the respective output pin OAxOUT and the positive SD16_A inputs A0+ (OA0), or A1+ (OA1).

22.3.4 OA Configurations

The OA can be configured for different amplifier functions with the OAFcx bits as listed in Table 22–6. The SWCTL0, SWCTL1, SWCTL4, and SWCTL5 bits force settings of the OAFcx bits. See section Switch Control for more details.

Table 22–6. FG42x0 OA Mode Select

OAFcx	OA Mode
000	General-purpose opamp
001	Unity gain buffer
010	Reserved
011	Reserved
100	Reserved
101	Reserved
110	Inverting amplifier
111	Reserved

General-Purpose Opamp Mode

In this mode, the OAx inputs are selected with the OAPx and OANx bits. The OAx output is connected to the output pin and to the SD16_A input. Any feedback needs to be done externally from the output pins OAxOUT to one of the input pins OAxI0 to OAxI2.

Unity-Gain Mode

In this mode, the output of the OAx is connected directly to the inverting input of the OAx providing a unity-gain buffer. The non-inverting input is selected by the OAPx bits. The external connection for the inverting input is disabled, and the OANx bits are don't care.

Inverting Amplifier Mode

In this mode, an additional feedback connection is provided as shown in Figure 22–7. The OANx bits select the inverting input signal, which is also connected to the feedback input and to the negative SD16_A input. The circuitry shown in Figure 22–7 mimics a low resistive multiplexer between the inputs OAx1 and OAx2. Because the current into the negative terminal of operational amplifier is very low, the voltage drop over the negative input multiplexer can be neglected. The multiplexer connecting the input OAx1 or OAx2 to the feedback path is included in the feedback loop, thus compensating for the voltage drop across this multiplexer. This mode is especially useful for transimpedance amplifiers as shown in Figure 22–12.

The non-inverting input is selected by the OAPx bits. The OAx output is connected to the output pin and to the positive SD16_A input.

Figure 22–7. Inverting Amplifier Configuration

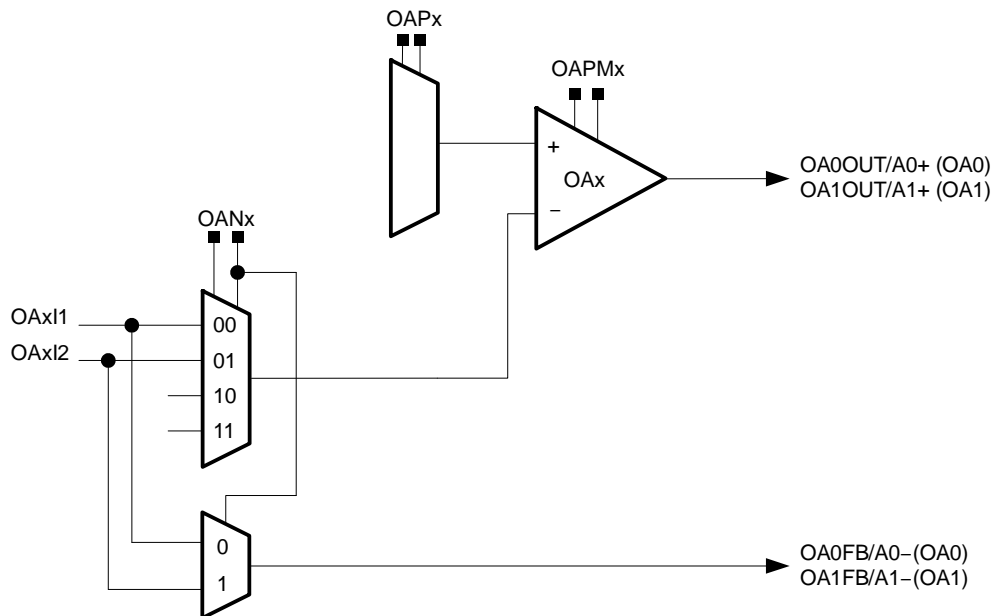
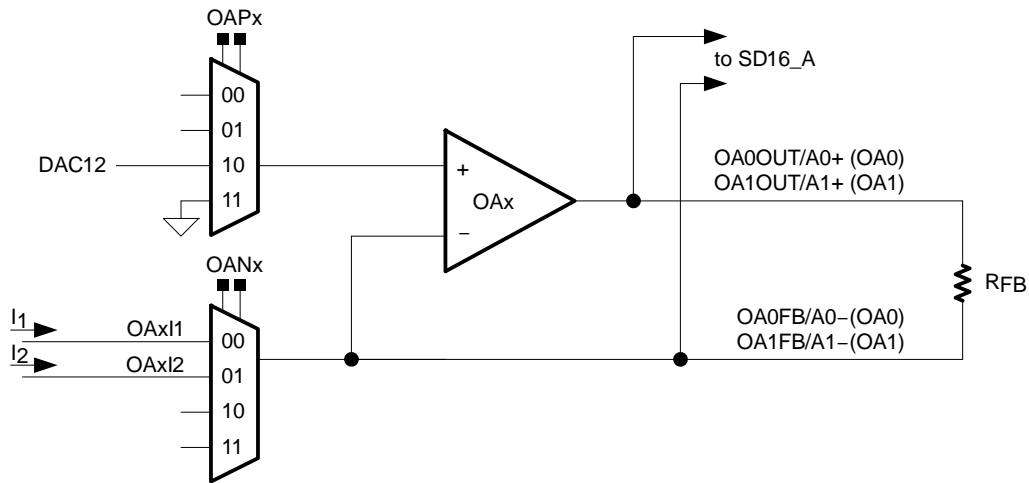


Figure 22–8. Transimpedance Amplifier With Two Current Inputs



22.3.5 Switch Control

The switch control register SWCTL controls the low resistive switches to ground SW0C and SW1C as well as simplifies the operation of the operational amplifier as transimpedance amplifier.

SWCTL2 closes the switch SW0C to ground, and SWCTL6 closes the switch SW1C. SWCTL3 shorts the external feedback resistor for OA0, and SWCTL7 shorts the external feedback resistor for OA1. SWCTL0 and SWCTL1 select the negative analog input to the transimpedance amplifier OA0, and SWCTL4 and SWCTL5 select them for OA1 as shown in Table 22–9.

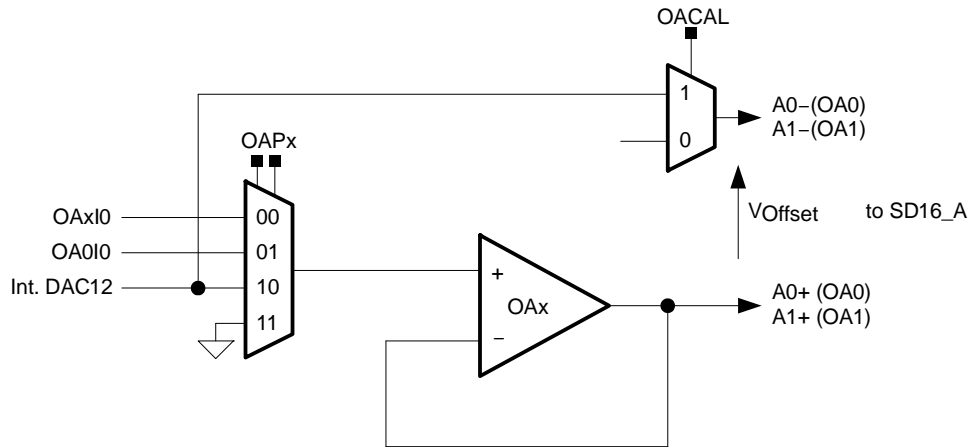
Table 22–7. Input Control of Transimpedance Amplifier

SWCTL0 (OA0)	SWCTL1 (OA0)	SWCTL4 (OA1)	SWCTL5 (OA1)	Forced Settings
1	0			OANx = 00 OAFcx = 110
0	1			OANx = 01 OAFcx = 110
0	0			No forced settings
1	1			No forced settings

22.3.6 Offset Calibration

Figure 22–9 shows the configuration for the offset measurement. To measure the offset of the operational amplifier OAx, the unity-gain buffer mode needs to be selected with OAFc_x = 001, and the positive input of the amplifier needs to be connected to the negative input of the sigma-delta ADC by setting the calibration bit OACAL. The voltage that can be measured between the negative and the positive SD16_A input represents the offset voltage of the operational amplifier. The measurement result can be incorporated into the later measurement results to compensate for the offset of the amplifier.

Figure 22–9. Offset Calibration

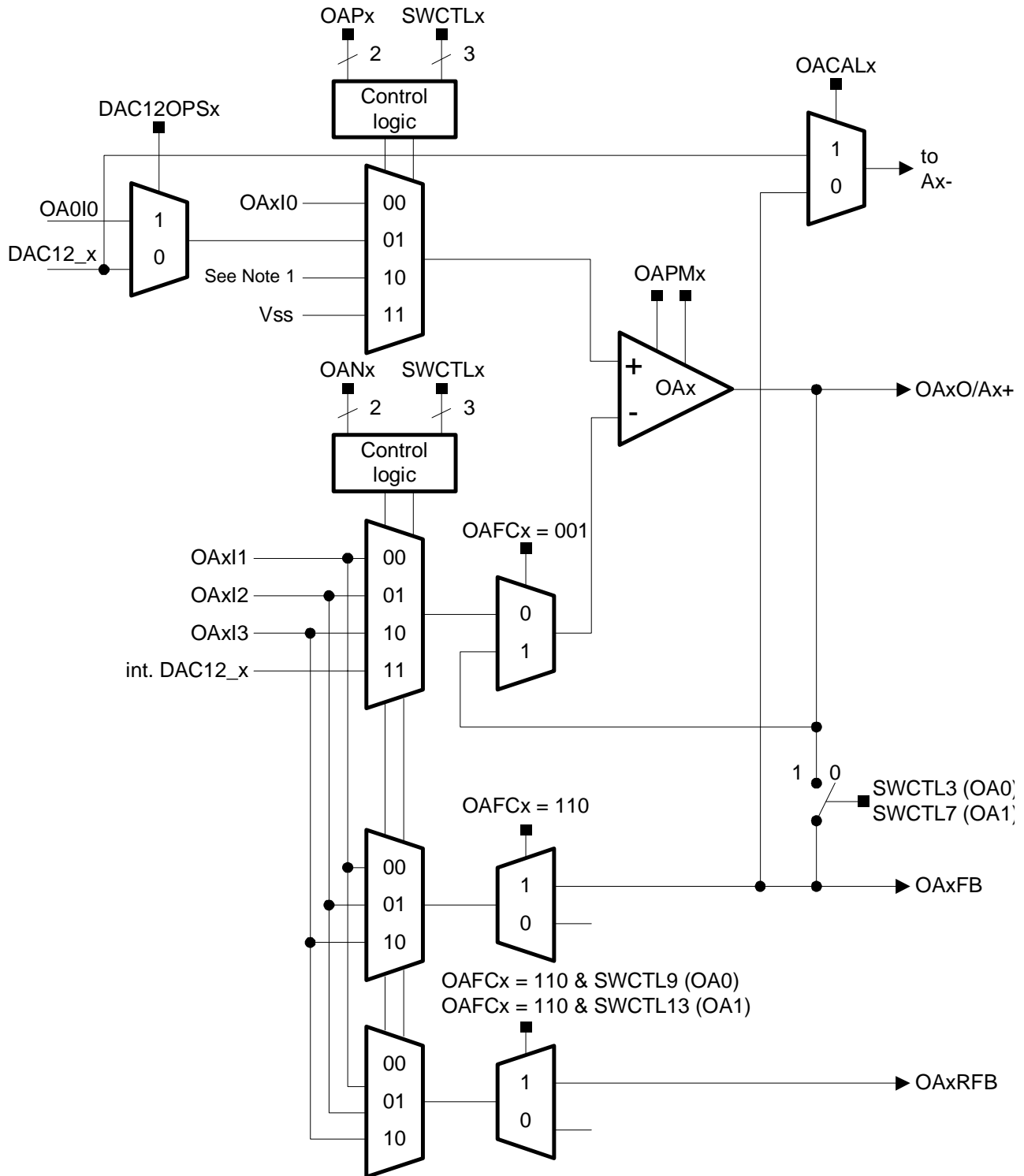


22.4 OA Modules in MSP430FG47x Devices

In the MSP430FG47x devices, two operational amplifiers, two DAC modules, and a sigma-delta converter are combined into a measurement front end. The DAC12 modules and the SD16_A module are described in separate chapters.

The block diagram of the operational amplifier is shown in Figure 22–10.

Figure 22-10. MSP430FG47x Operational Amplifiers 0/1 (OA0/1) Block Diagram



Note 1: DAC12_0 is routed to OA1. DAC12_1 is routed to OA0 only if DAC12OPS1 = 0.

22.4.1 OA Amplifier

Each OA is a configurable low-current operational amplifier that can be configured as an inverting amplifier or a non-inverting amplifier.

22.4.2 OA Inputs

The OA has configurable input selection. The signals for the + and – inputs are individually selected with the OANx and OAPx bits and can be selected as external signals or internal signals from the DAC12 module. One of the non-inverting inputs (OA0I0) is tied together internally for both OA modules.

The SWCTL0, SWCTL1, SWCTL4, SWCTL5, SWCTL8, and SWCTL12 bits overwrite settings given by the OANx and OAPx bits. See section Switch Control for more details. Also the unity gain buffer mode sets the input for the –input of the OAx module to the OAx output.

22.4.3 OA Outputs

The OA outputs are routed to the respective output pin OAxOUT and the positive SD16_A inputs A0+ (OA0), or A1+ (OA1).

22.4.4 OA Configurations

The OA can be configured for different amplifier functions with the OAFcx bits as listed in Table 22–8. The SWCTL0, SWCTL1, SWCTL4, SWCTL5, SWCTL8, and SWCTL12 bits force settings of the OAFcx bits. See section Switch Control for more details.

Table 22–8. MSP430FG47x OAx Mode Select

OAFcx	OAx Mode
000	General-purpose op amp
001	Unity-gain buffer
010	Reserved
011	Reserved
100	Reserved
101	Reserved
110	Inverting amplifier
111	Reserved

General-Purpose Opamp Mode

In this mode the OAx inputs are selected with the OAPx and OANx bits. The OAx output is connected to the output pin and to the SD16_A inputs. Any feedback needs to be done externally from the output pins OAxOUT to one of the input pins OAxI0 to OAxI3.

Unity Gain Mode

In this mode the output of the OAx is connected directly to the inverting input of the OAx providing a unity gain buffer. The non-inverting input is selected by the OAPx bits. The external connection for the inverting input is disabled and the OANx bits are don't care.

Inverting Amplifier Mode

In this mode an additional feedback connection is provided as shown in Figure 22–11. The OANx bits select the inverting input signal, which is also connected to the feedback input and to the negative SD16_A input. The circuitry shown in Figure 22–11 mimics a low resistive multiplexer between the inputs OAxI1 and OAxI2. Because the current into the negative terminal of operational amplifier is very low, the voltage drop over the negative input multiplexer can be neglected. The multiplexer connecting the input OAxI1 or OAxI2 to the feedback path is included in the feedback loop, thus compensating for the voltage drop across this multiplexer. This mode is especially useful for transimpedance amplifiers as shown in Figure 22–12.

The non-inverting input is selected by the OAPx bits. The OAx output is connected to the output pin and to the positive SD16_A input.

Figure 22-11. Inverting Amplifier Configuration

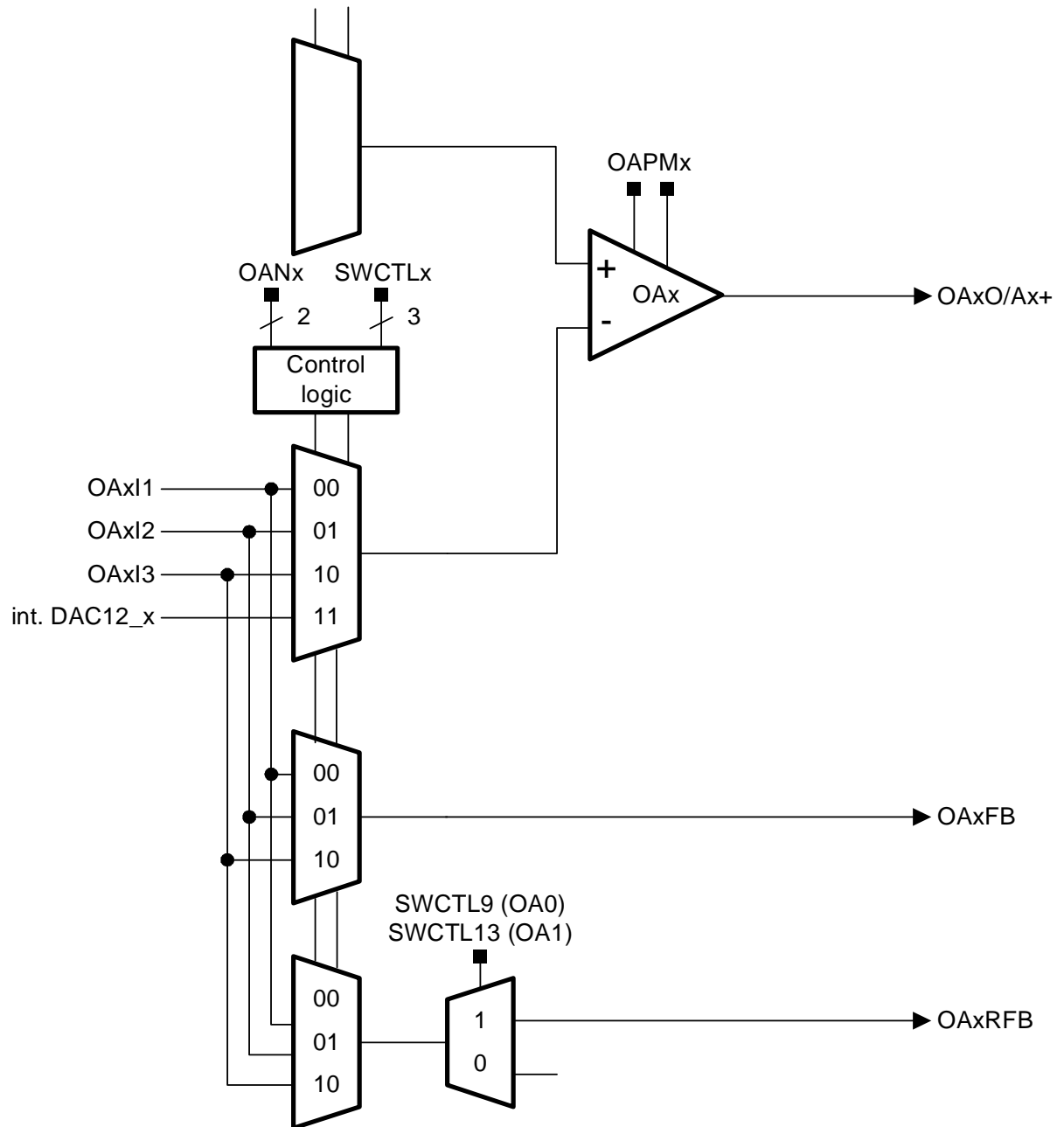
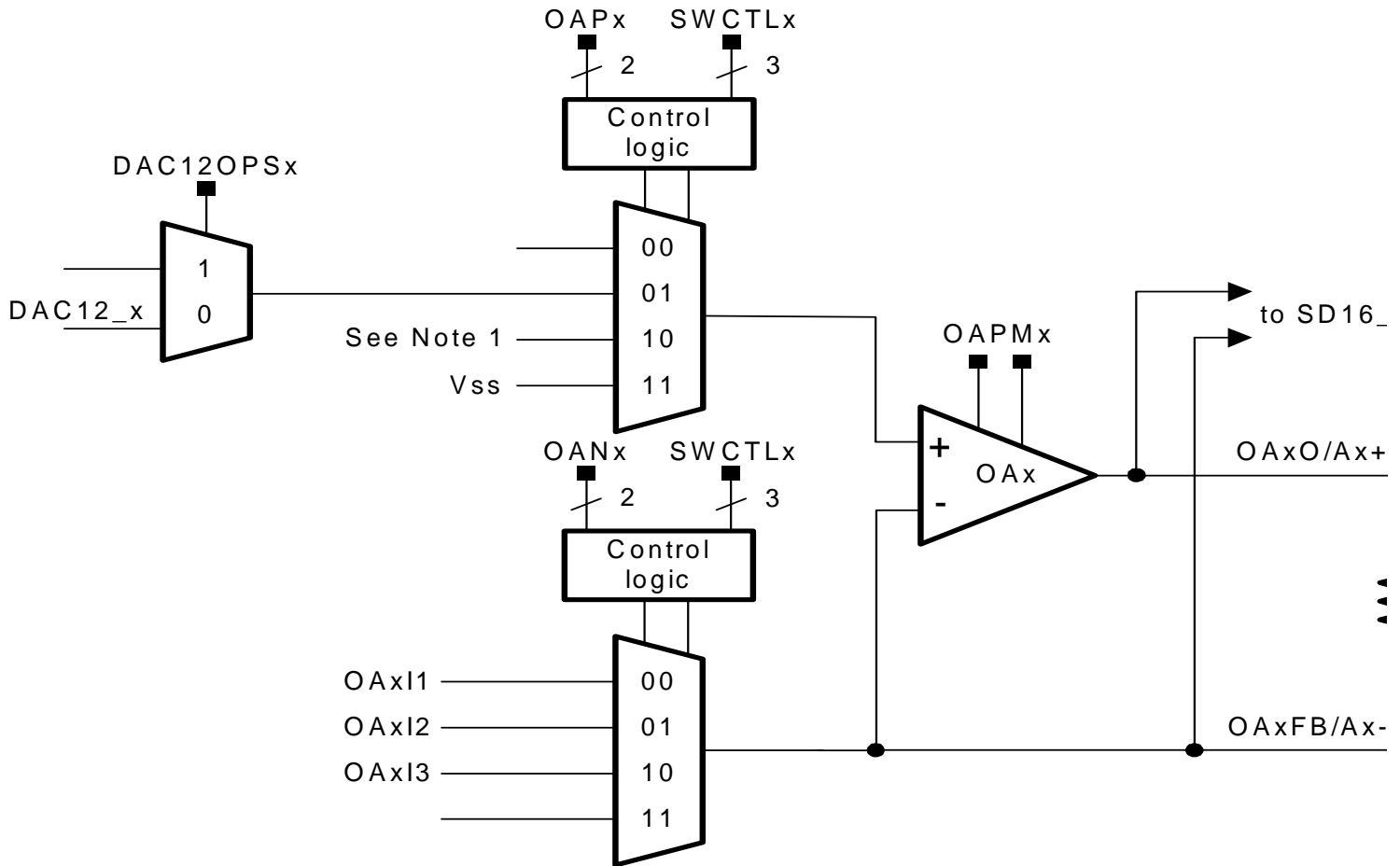


Figure 22-12. Transimpedance Amplifier With Three Current Inputs



Note 1: DAC12_0 is routed to OA1. DAC12_1 is routed to OA0 only if DAC12OPS1 = 0.

22.4.5 Switch Control of the FG47x devices

The switch control register OASWCTL0 simplifies the operation of the operational amplifier.

SWCTL3 shorts the external feedback resistor for OA0 and SWCTL7 shorts the external feedback resistor for OA1. SWCTL0 and SWCTL1 select the negative analog input to the transimpedance amplifier OA0, SWCTL4 and SWCTL5 select them for OA1 as shown in Table 22–9.

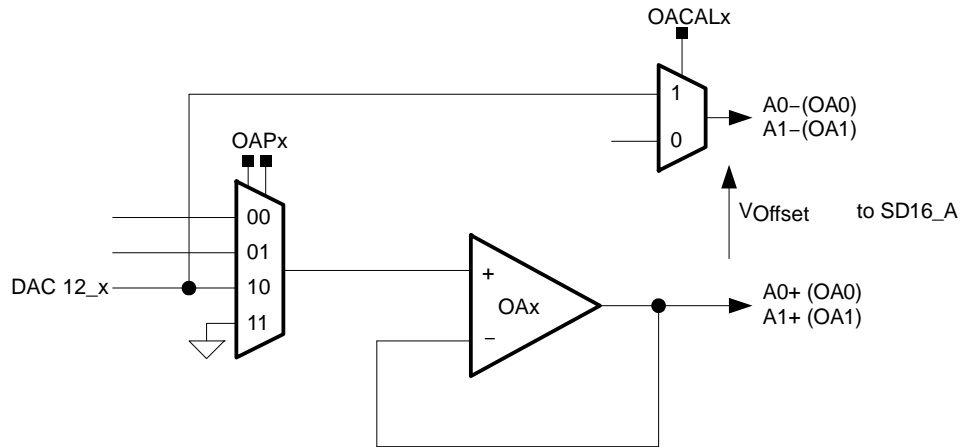
Table 22–9. Input Control of Transimpedance Amplifier

SWCTLx	OASWCTL0 BIT	Forced Settings		Description
		OAFcx	OANx	
0	8	110	00	Selects channel 0 at the – terminal of OA0.
1	9	110	01	Selects channel 1 at the – terminal of OA0.
2	10	–	–	Reserved.
3	11	–	–	OA0OUT and OA0FB are shorted.
4	12	110	00	Selects channel 0 at the – terminal of OA1.
5	13	110	01	Selects channel 1 at the – terminal of OA1.
6	14	–	–	Reserved.
7	15	–	–	OA1OUT and OA1FB are shorted.
8	0	110	10	Selects channel 2 at the – terminal of OA0.
9	1	–	–	Range switch control of OA0 (OA0RFB).
10	2	–	–	Reserved.
11	3	–	–	Reserved.
12	4	110	10	Selects channel 2 at the – terminal of OA1.
13	5	–	–	Range switch control of OA1 (OA1RFB).
14	6	–	–	Reserved.
15	7	–	–	Reserved.

22.4.6 Offset Calibration

Figure 22–9 shows the configuration for the offset measurement. To measure the offset of the operational amplifier OAx the OAxCAL bit must be set. The voltage that can be measured between the negative and the positive SD16_A input represents the offset voltage of the operational amplifier. The measurement result can be incorporated into the later measurement results to compensate for the offset of the amplifier. For both OA modules the DAC12OPS bit of DAC12_0 module selects if the internal or the external DAC12_x is used.

Figure 22–13. Offset Calibration

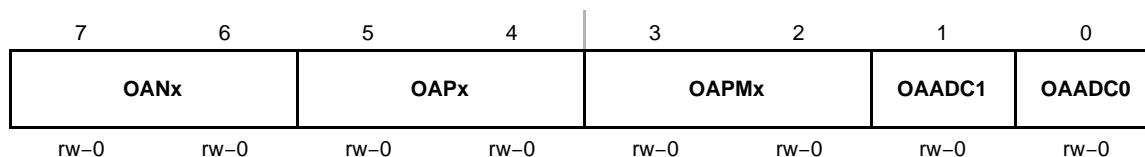


22.5 OA Registers

The OA registers are listed in Table 22–10.

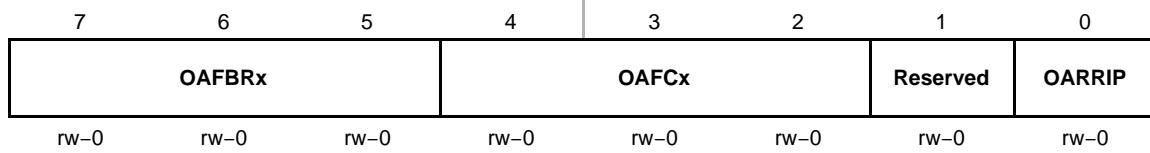
Table 22–10. OA Registers

Register	Short Form	Register Type	Address	Initial State
OA0 control register 0	OA0CTL0	Read/write	0C0h	Reset with PUC
OA0 control register 1	OA0CTL1	Read/write	0C1h	Reset with PUC
OA1 control register 0	OA1CTL0	Read/write	0C2h	Reset with PUC
OA1 control register 1	OA1CTL1	Read/write	0C3h	Reset with PUC
OA2 control register 0	OA2CTL0	Read/write	0C4h	Reset with PUC
OA2 control register 1	OA2CTL1	Read/write	0C5h	Reset with PUC

OAxCTL0, Opamp Control Register 0

OANx	Bits 7-6	Inverting input select. These bits select the input signal for the OA inverting input. 00 OAxI0 01 OAxI1 10 DAC0 internal 11 DAC1 internal
OAPx	Bits 5-4	Non-inverting input select. These bits select the input signal for the OA non-inverting input. 00 OAxI0 01 OA0I1 10 DAC0 internal 11 DAC1 internal
OAPMx	Bits 3-2	Slew rate select These bits select the slew rate vs. current consumption for the OA. 00 Off, output high Z 01 Slow 10 Medium 11 Fast
OAADC1	Bit 1	OA output select. This bit connects the OAx output to ADC12 input Ax and output pin OAxO when OAFcx > 0. 0 OAx output not connected to internal/external A1 (OA0), A3 (OA1), or A5 (OA2) signals 1 OAx output connected to internal/external A1 (OA0), A3 (OA1), or A5 (OA2) signals
OAADC0	Bit 0	OA output select. This bit connects the OAx output to ADC12 input Ax when OAPMx > 0. 0 OAx output not connected to internal A12 (OA0), A13 (OA1), or A14 (OA2) signals 1 OAx output connected to internal A12 (OA0), A13 (OA1), or A14 (OA2) signals

OAxCTL1, Opamp Control Register 1



OAFBRx	Bits 7-5	OAx feedback resistor select 000 Tap 0 001 Tap 1 010 Tap 2 011 Tap 3 100 Tap 4 101 Tap 5 110 Tap 6 111 Tap 7
O AFCx	Bits 4-2	OAx function control. This bit selects the function of OAx 000 General purpose 001 Unity gain buffer 010 Reserved 011 Comparing amplifier 100 Non-inverting PGA 101 Reserved 110 Inverting PGA 111 Differential amplifier
Reserved	Bit 1	Reserved
OARRIP	Bit 0	OA rail-to-rail input off. 0 OAx input signal range is rail-to-rail 1 OAx input signal range is limited. See the device-specific data sheet for parameters.

22.6 OA Registers in MSP430FG42x0 Devices

The OA registers are listed in Table 22–10.

Table 22–11. OA Registers

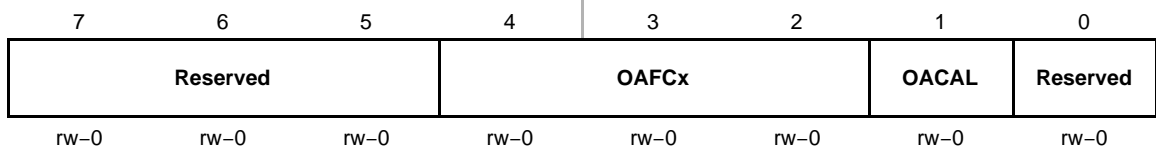
Register	Short Form	Register Type	Address	Initial State
OA0 control register 0	OA0CTL0	Read/write	0C0h	Reset with PUC
OA0 control register 1	OA0CTL1	Read/write	0C1h	Reset with PUC
OA1 control register 0	OA1CTL0	Read/write	0C2h	Reset with PUC
OA1 control register 1	OA1CTL1	Read/write	0C3h	Reset with PUC
Switch control register	SWCTL	Read/write	0CFh	Reset with PUC

OAxCTL0, Opamp Control Register 0



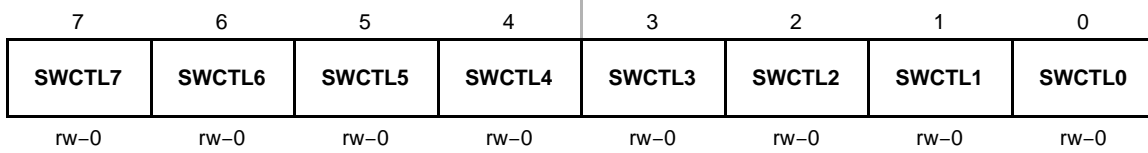
OANx	Bits 7-6	Inverting input select These bits select the input signal for the OAx inverting input. 00 OAxI1 01 OAxI2 10 DAC internal 11 VSS
OAPx	Bits 5-4	Non-inverting input select These bits select the input signal for the OAx non-inverting input. 00 OAxI0 01 OA0I0 10 DAC internal 11 VSS
OAPMx	Bits 3-2	Slew rate select These bits select the slew rate vs. current consumption of the OAx. 00 Off, output high Z 01 Slow 10 Medium 11 Fast
Reserved	Bits 1-0	Reserved

OAxCTL1, Opamp Control Register 1



Reserved	Bits 7-5	Reserved
OAFcX	Bit 4-2	OAx function control These bits select the function of OAx 000 General purpose 001 Unity gain buffer 010 Reserved 011 Reserved 100 Reserved 101 Reserved 110 Inverting amplifier 111 Reserved
OACAL	Bit 1	Offset calibration This bit enables the offset calibration. 0 Offset calibration disabled 1 Offset calibration enabled
Reserved	Bit 0	Reserved

SWCTL, Switch Control Register



SWCTL7	Bit 7	Shunt switch for OA1 0 Switch open 1 OA1OUT and OA1FB shorted together
SWCTL6	Bit 6	SW1C control 0 Switch open 1 SW1C shorted to VSS
SWCTL5, SWCTL4	Bits 5-4	OANx and OAFcx forced settings for OA1 00 No forced settings 01 OANx forced to 00; OAFcx forced to 110. 10 OANx forced to 01; OAFcx forced to 110. 11 No forced settings
SWCTL3	Bit 3	Shunt switch for OA0 0 Switch open 1 OA0OUT and OA0FB shorted together
SWCTL2	Bit 2	SW0C control 0 Switch open 1 SW0C shorted to VSS
SWCTL1, SWCTL0	Bits 1-0	OANx and OAFcx forced settings for OA0 00 No forced settings 01 OANx forced to 00; OAFcx forced to 110. 10 OANx forced to 01; OAFcx forced to 110. 11 No forced settings

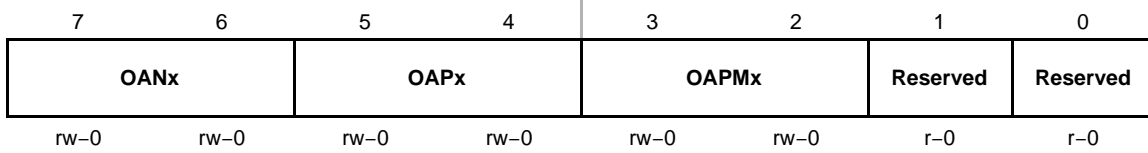
22.7 OA Registers in MSP430FG47x Devices

The OA registers are listed in Table 22–12.

Table 22–12. OA Registers

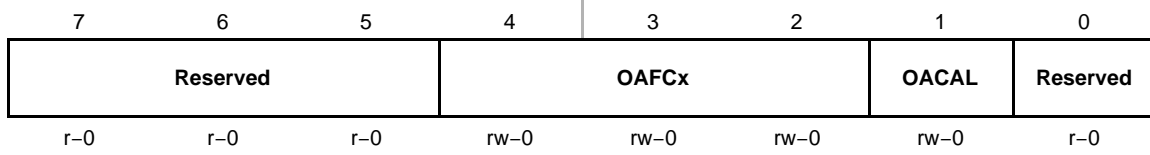
Register	Short Form	Register Type	Address	Initial State
OA0 control register 0	OA0CTL0	Read/write	0C0h	Reset with PUC
OA0 control register 1	OA0CTL1	Read/write	0C1h	Reset with PUC
OA1 control register 0	OA1CTL0	Read/write	0C2h	Reset with PUC
OA1 control register 1	OA1CTL1	Read/write	0C3h	Reset with PUC
OA Switch control register high byte	OASWCTL_H	Read/write	0CEh	Reset with PUC
OA Switch control register low byte	OASWCTL_L	Read/write	0CFh	Reset with PUC
OA switch control register word	OASWCTL0	Read/write	0CEh	Reset with PUC

OAxCTL0, Opamp Control Register 0



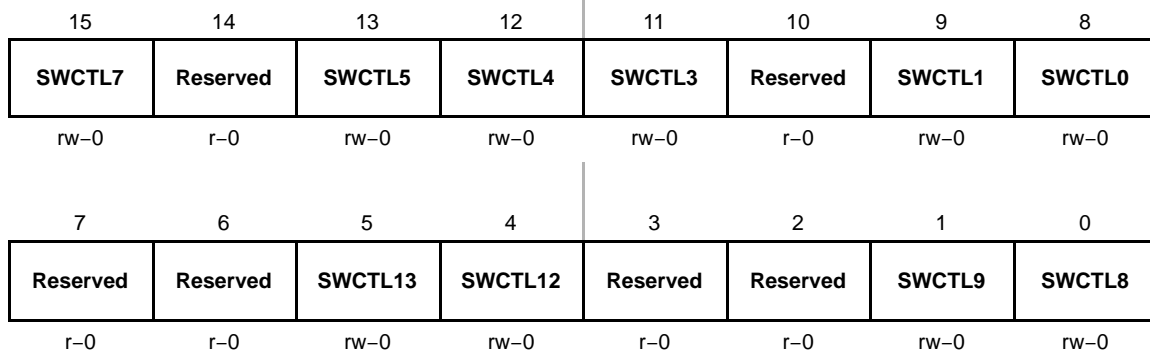
OANx	Bits 7-6	Inverting input select These bits select the input signal for the OAx inverting input. 00 OAxI1 01 OAxI2 10 OAxI3 11 DAC12_0 (OA0), DAC12_1 (OA1) if the DAC12OPS bits are cleared.
OAPx	Bits 5-4	Non-inverting input select These bits select the input signal for the OAx non-inverting input. 00 OAxI0 01 OA0I0 if DAC12OPS is set. If DAC12OPS is 0 then DAC12_0 (OA0)/ DAC12_1 (OA1) is used. 10 DAC12_1 (OA0)/ DAC12_0 (OA1) 11 VSS
OAPMx	Bits 3-2	Slew rate select These bits select the slew rate vs. current consumption of the OAx. 00 Off, output high Z 01 Slow 10 Medium 11 Fast
Reserved	Bits 1-0	Reserved

OAxCTL1, Opamp Control Register 1



Reserved	Bits	7-5	Reserved	
OAFcX	Bit 4-2		OAx function control	These bits select the function of OAx
			000	General purpose
			001	Unity gain buffer
			010	Reserved
			011	Reserved
			100	Reserved
			101	Reserved
			110	Inverting amplifier
			111	Reserved
OACAL	Bit 1		Offset calibration	This bit enables the offset calibration.
			0	Offset calibration disabled
			1	Offset calibration enabled
Reserved	Bit 0		Reserved	

OASWCTL0, Switch Control Register 0



- SWCTL7** Bit 15 Shunt switch for OA1
 0 Switch open
 1 OA1OUT and OA1FB shorted together
- Reserved** Bit 14 Reserved
- SWCTL5** Bit 13 OANx and OAFc forced settings for OA1
 0 No forced settings
 1 OA1I2 enabled; OAFc forced to 110.
- SWCTL4** Bit 12 OANx and OAFc forced settings for OA1
 0 No forced settings
 1 OA1I1 enabled; OAFc forced to 110.
- SWCTL3** Bit 11 Shunt switch for OA0
 0 Switch open
 1 OA0OUT and OA0FB shorted together
- Reserved** Bit 10 Reserved
- SWCTL1** Bit 9 OANx and OAFc forced settings for OA0
 0 No forced settings
 1 OA0I2 enabled; OAFc forced to 110.
- SWCTL0** Bit 8 OANx and OAFc forced settings for OA0
 0 No forced settings
 1 OA0I1 enabled; OAFc forced to 110.
- Reserved** Bits Reserved
 7-6
- SWCTL13** Bit 5 Range switch control for OA1
 0 Switch open
 1 Switch closed.
- SWCTL12** Bit 4 OANx and OAFc forced settings for OA1
 0 No forced settings
 1 OA1I3 enabled; OAFc forced to 110.
- Reserved** Bits Reserved
 3-2

SWCTL9	Bit 1	Range feedback switch control for OA0 0 Switch open 1 Switch closed.
SWCTL8	Bit 0	OANx and OAFcX forced settings for OA0 0 No forced settings 1 OA0I3 enabled; OAFcX forced to 110.



Comparator_A

Comparator_A is an analog voltage comparator. This chapter describes Comparator_A. Comparator_A is implemented in all MSP430x4xx devices.

Topic	Page
23.1 Comparator_A Introduction	23-2
23.2 Comparator_A Operation	23-4
23.3 Comparator_A Registers	23-9

23.1 Comparator_A Introduction

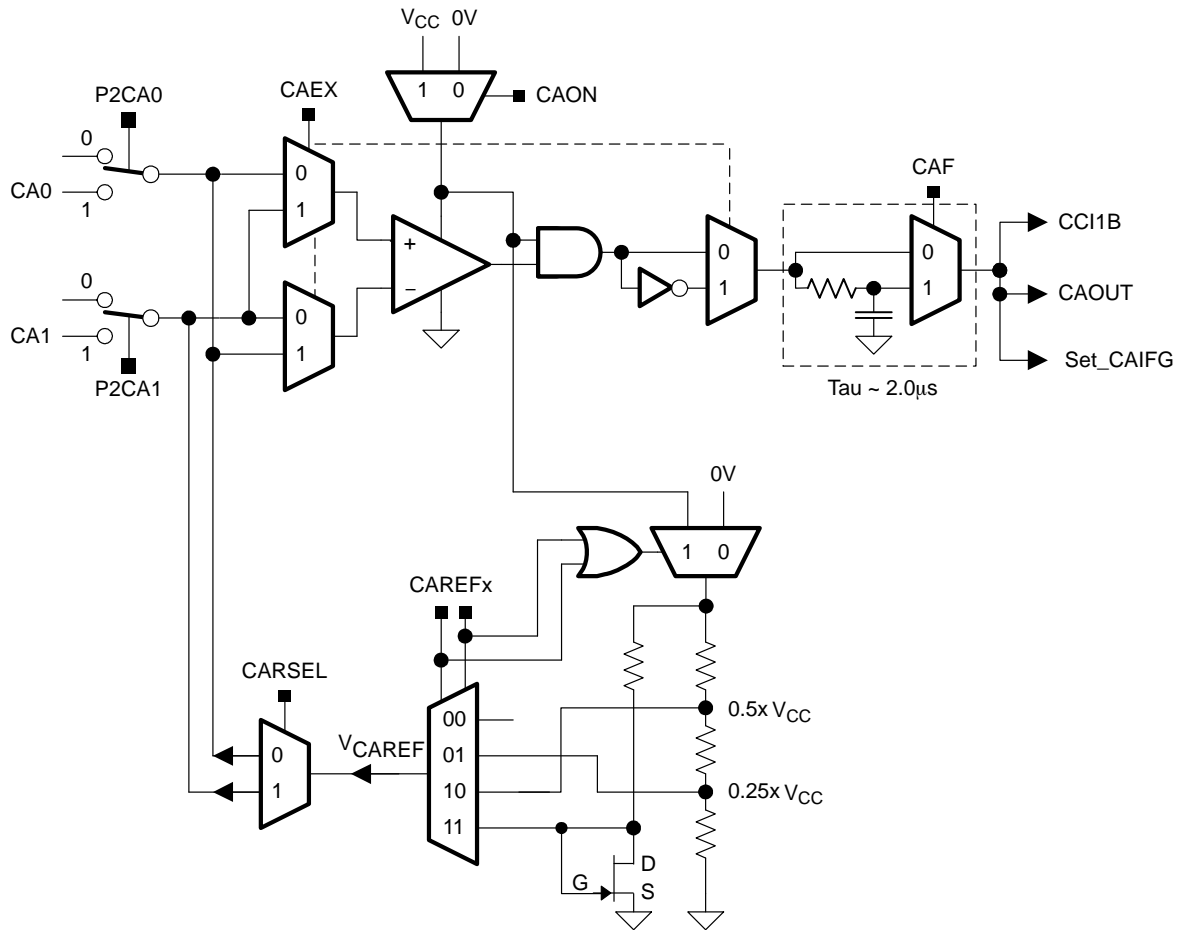
The comparator_A module supports precision slope analog-to-digital conversions, supply voltage supervision, and monitoring of external analog signals.

Features of Comparator_A include:

- Inverting and non-inverting terminal input multiplexer
- Software selectable RC-filter for the comparator output
- Output provided to Timer_A capture input
- Software control of the port input buffer
- Interrupt capability
- Selectable reference voltage generator
- Comparator and reference generator can be powered down

The Comparator_A block diagram is shown in Figure 23–1.

Figure 23-1. Comparator_A Block Diagram



23.2 Comparator_A Operation

The comparator_A module is configured with user software. The setup and operation of comparator_A is discussed in the following sections.

23.2.1 Comparator

The comparator compares the analog voltages at the + and – input terminals. If the + terminal is more positive than the – terminal, the comparator output CAOUT is high. The comparator can be switched on or off using control bit CAON. The comparator should be switched off when not in use to reduce current consumption. When the comparator is switched off, the CAOUT is always low.

23.2.2 Input Analog Switches

The analog input switches connect or disconnect the two comparator input terminals to associated port pins using the P2CAx bits. Both comparator terminal inputs can be controlled individually. The P2CAx bits allow:

- Application of an external signal to the + and – terminals of the comparator
- Routing of an internal reference voltage to an associated output port pin

Internally, the input switch is constructed as a T-switch to suppress distortion in the signal path.

Note: Comparator Input Connection

When the comparator is on, the input terminals should be connected to a signal, power, or ground. Otherwise, floating levels may cause unexpected interrupts and increased current consumption.

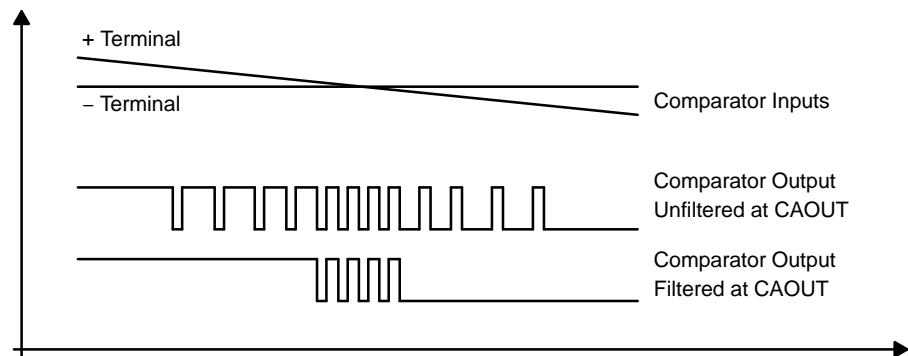
The CAEX bit controls the input multiplexer, exchanging which input signals are connected to the comparator's + and – terminals. Additionally, when the comparator terminals are exchanged, the output signal from the comparator is inverted. This allows the user to determine or compensate for the comparator input offset voltage.

23.2.3 Output Filter

The output of the comparator can be used with or without internal filtering. When control bit CAF is set, the output is filtered with an on-chip RC-filter.

Any comparator output oscillates if the voltage difference across the input terminals is small. Internal and external parasitic effects and cross coupling on and between signal lines, power supply lines, and other parts of the system are responsible for this behavior as shown in Figure 23–2. The comparator output oscillation reduces accuracy and resolution of the comparison result. Selecting the output filter can reduce errors associated with comparator oscillation.

Figure 23–2. RC-Filter Response at the Output of the Comparator



23.2.4 Voltage Reference Generator

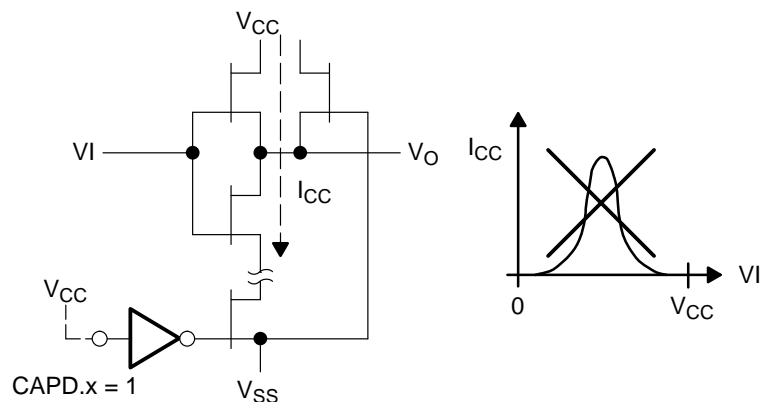
The voltage reference generator is used to generate V_{CAREF} , which can be applied to either comparator input terminal. The CAREF_x bits control the output of the voltage generator. The CARSEL bit selects the comparator terminal to which V_{CAREF} is applied. If external signals are applied to both comparator input terminals, the internal reference generator should be turned off to reduce current consumption. The voltage reference generator can generate a fraction of the device's V_{CC} or a fixed transistor threshold voltage of ~ 0.55 V.

23.2.5 Comparator_A, Port Disable Register CAPD

The comparator input and output functions are multiplexed with the associated I/O port pins, which are digital CMOS gates. When analog signals are applied to digital CMOS gates, parasitic current can flow from V_{CC} to GND. This parasitic current occurs if the input voltage is near the transition level of the gate. Disabling the port pin buffer eliminates the parasitic current flow and therefore reduces overall current consumption.

The CAPDx bits, when set, disable the corresponding P1 input buffer as shown in Figure 23–3. When current consumption is critical, any P1 pin connected to analog signals should be disabled with their associated CAPDx bit.

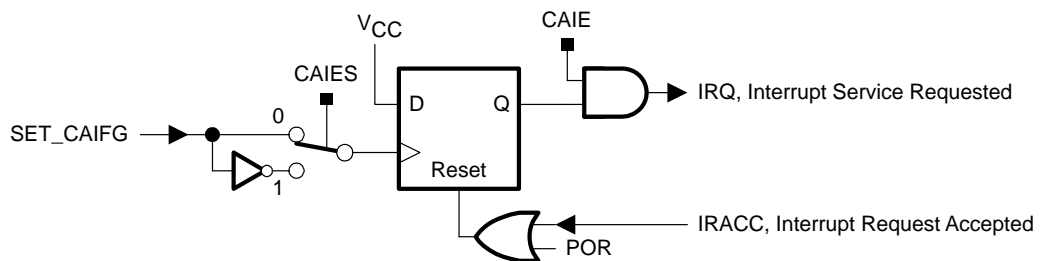
Figure 23–3. Transfer Characteristic and Power Dissipation in a CMOS Inverter/Buffer



23.2.6 Comparator_A Interrupts

One interrupt flag and one interrupt vector are associated with the Comparator_A as shown in Figure 23–4. The interrupt flag CAIFG is set on either the rising or falling edge of the comparator output, selected by the CAIES bit. If both the CAIE and the GIE bits are set, then the CAIFG flag generates an interrupt request. The CAIFG flag is automatically reset when the interrupt request is serviced or may be reset with software.

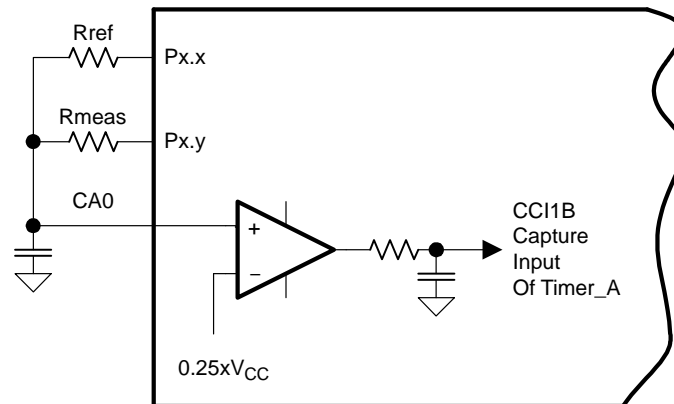
Figure 23–4. Comparator_A Interrupt System



23.2.7 Comparator_A Used to Measure Resistive Elements

The Comparator_A can be optimized to precisely measure resistive elements using single slope analog-to-digital conversion. For example, temperature can be converted into digital data using a thermistor, by comparing the thermistor's capacitor discharge time to that of a reference resistor as shown in Figure 23–5. A reference resistor R_{ref} is compared to R_{meas} .

Figure 23–5. Temperature Measurement System



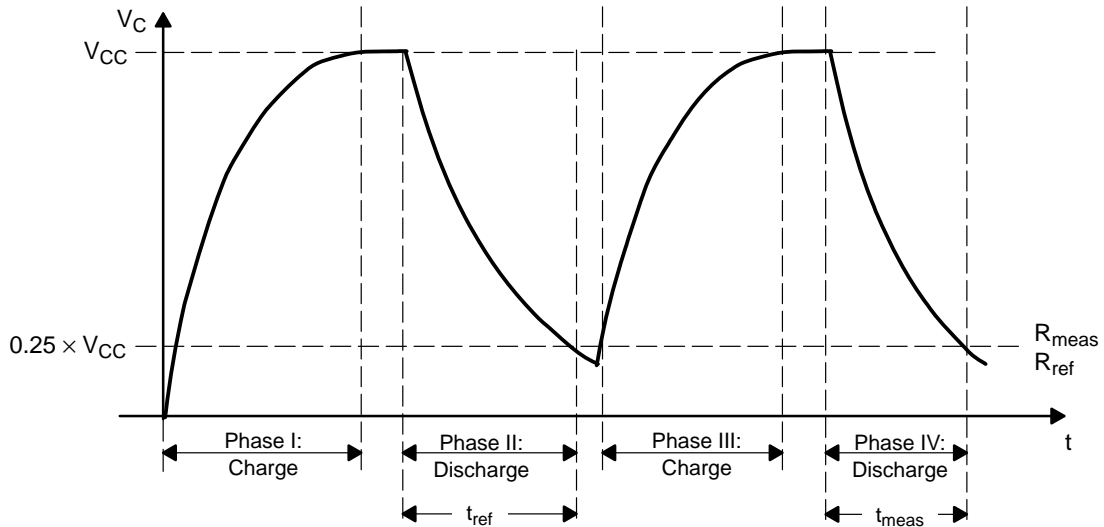
The MSP430 resources used to calculate the temperature sensed by R_{meas} are:

- Two digital I/O pins to charge and discharge the capacitor.
- I/O set to output high (V_{CC}) to charge capacitor, reset to discharge.
- I/O switched to high-impedance input with CAPDx set when not in use.
- One output charges and discharges the capacitor via R_{ref} .
- One output discharges capacitor via R_{meas} .
- The + terminal is connected to the positive terminal of the capacitor.
- The – terminal is connected to a reference level, for example $0.25 \times V_{CC}$.
- The output filter should be used to minimize switching noise.
- CAOUT used to gate Timer_A CCI1B, capturing capacitor discharge time.

More than one resistive element can be measured. Additional elements are connected to CA0 with available I/O pins and switched to high impedance when not being measured.

The thermistor measurement is based on a ratiometric conversion principle. The ratio of two capacitor discharge times is calculated as shown in Figure 23–6.

Figure 23–6. Timing for Temperature Measurement Systems



The V_{CC} voltage and the capacitor value should remain constant during the conversion, but are not critical since they cancel in the ratio:

$$\frac{N_{meas}}{N_{ref}} = \frac{-R_{meas} \times C \times \ln \frac{V_{ref}}{V_{CC}}}{-R_{ref} \times C \times \ln \frac{V_{ref}}{V_{CC}}}$$

$$\frac{N_{meas}}{N_{ref}} = \frac{R_{meas}}{R_{ref}}$$

$$R_{meas} = R_{ref} \times \frac{N_{meas}}{N_{ref}}$$

23.3 Comparator_A Registers

The Comparator_A registers are listed in Table 23–1.

Table 23–1. Comparator_A Registers

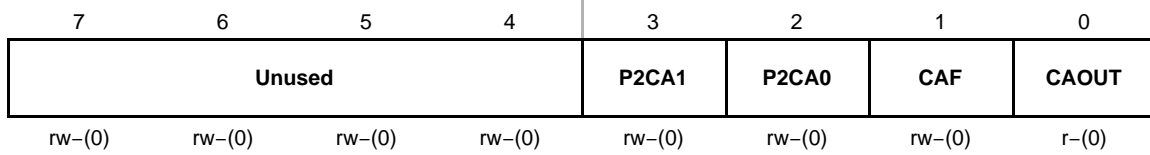
Register	Short Form	Register Type	Address	Initial State
Comparator_A control register 1	CACTL1	Read/write	059h	Reset with POR
Comparator_A control register 2	CACTL2	Read/write	05Ah	Reset with POR
Comparator_A port disable	CAPD	Read/write	05Bh	Reset with POR

CACTL1, Comparator_A Control Register 1

7	6	5	4	3	2	1	0
CAEX	CARSEL	CAREF_x		CAON	CAIES	CAIE	CAIFG
rw-(0)	rw-(0)	rw-(0)	rw-(0)	rw-(0)	rw-(0)	rw-(0)	rw-(0)

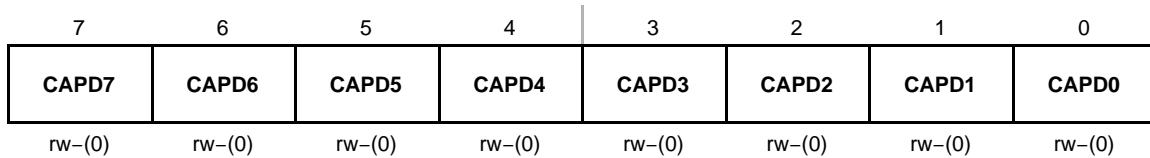
CAEX	Bit 7	Comparator_A exchange. This bit exchanges the comparator inputs and inverts the comparator output.
CARSEL	Bit 6	Comparator_A reference select. This bit selects which terminal the V_{CAREF} is applied to. When CAEX = 0: 0 V_{CAREF} is applied to the + terminal 1 V_{CAREF} is applied to the – terminal When CAEX = 1: 0 V_{CAREF} is applied to the – terminal 1 V_{CAREF} is applied to the + terminal
CAREF	Bits 5-4	Comparator_A reference. These bits select the reference voltage V_{CAREF} . 00 Internal reference off. An external reference can be applied. 01 $0.25 \cdot V_{CC}$ 10 $0.50 \cdot V_{CC}$ 11 Diode reference is selected
CAON	Bit 3	Comparator_A on. This bit turns on the comparator. When the comparator is off it consumes no current. The reference circuitry is enabled or disabled independently. 0 Off 1 On
CAIES	Bit 2	Comparator_A interrupt edge select 0 Rising edge 1 Falling edge
CAIE	Bit 1	Comparator_A interrupt enable 0 Disabled 1 Enabled
CAIFG	Bit 0	The Comparator_A interrupt flag 0 No interrupt pending 1 Interrupt pending

CACTL2, Comparator_A Control Register 2



Unused	Bits 7-4	Unused.
P2CA1	Bit 3	Pin to CA1. This bit selects the CA1 pin function. 0 The pin is not connected to CA1 1 The pin is connected to CA1
P2CA0	Bit 2	Pin to CA0. This bit selects the CA0 pin function. 0 The pin is not connected to CA0 1 The pin is connected to CA0
CAF	Bit 1	Comparator_A output filter 0 Comparator_A output is not filtered 1 Comparator_A output is filtered
CAOUT	Bit 0	Comparator_A output. This bit reflects the value of the comparator output. Writing this bit has no effect.

CAPD, Comparator_A Port Disable Register



CAPDx	Bits 7-0	Comparator_A port disable. These bits individually disable the input buffer for the pins of the port associated with Comparator_A. For example, the CAPDx bits can be used to individually enable or disable each P1.x pin buffer. CAPD0 disables P1.0, CAPD1 disables P1.1, etc. 0 The input buffer is enabled. 1 The input buffer is disabled.
--------------	-------------	--



Comparator_A+

Comparator_A+ is an analog voltage comparator. This chapter describes the operation of the Comparator_A+ of the 4xx family. It is available on the MSP430F41x2 devices.

Topic	Page
24.1 Comparator_A+ Introduction	24-2
24.2 Comparator_A+ Operation	24-4
24.3 Comparator_A+ Registers	24-10

24.1 Comparator_A+ Introduction

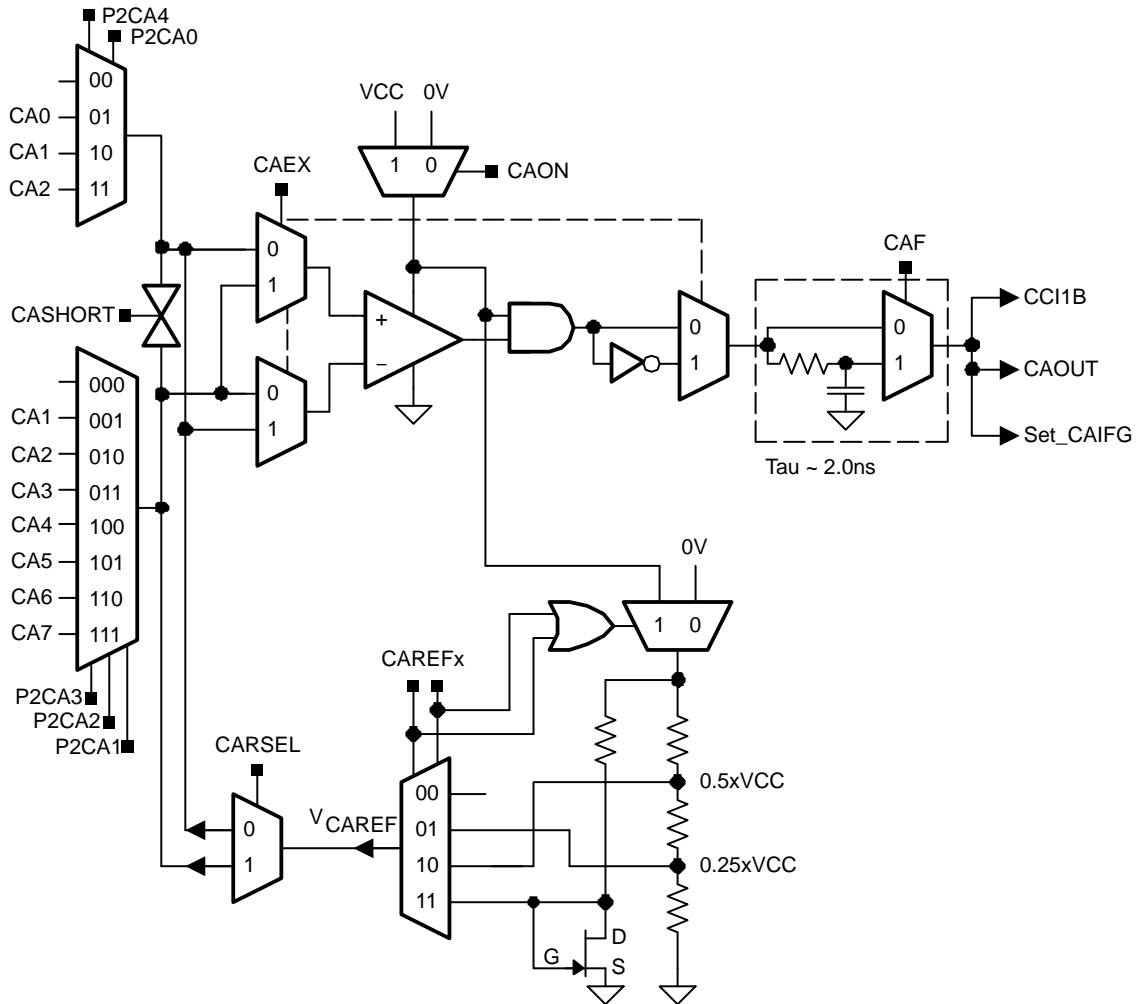
The Comparator_A+ module supports precision slope analog-to-digital conversions, supply voltage supervision, and monitoring of external analog signals.

Features of Comparator_A+ include:

- Inverting and non-inverting terminal input multiplexer
- Software selectable RC-filter for the comparator output
- Output provided to Timer_A capture input
- Software control of the port input buffer
- Interrupt capability
- Selectable reference voltage generator
- Comparator and reference generator can be powered down
- Input Multiplexer

The Comparator_A+ block diagram is shown in Figure 24-1.

Figure 24-1. Comparator_A+ Block Diagram



24.2 Comparator_A+ Operation

The Comparator_A+ module is configured with user software. The setup and operation of Comparator_A+ is discussed in the following sections.

24.2.1 Comparator

The comparator compares the analog voltages at the + and – input terminals. If the + terminal is more positive than the – terminal, the comparator output CAOUT is high. The comparator can be switched on or off using control bit CAON. The comparator should be switched off when not in use to reduce current consumption. When the comparator is switched off, the CAOUT is always low.

24.2.2 Input Analog Switches

The analog input switches connect or disconnect the two comparator input terminals to associated port pins using the P2CAx bits. Both comparator terminal inputs can be controlled individually. The P2CAx bits allow:

- Application of an external signal to the + and – terminals of the comparator
- Routing of an internal reference voltage to an associated output port pin

Internally, the input switch is constructed as a T-switch to suppress distortion in the signal path.

Note: Comparator Input Connection

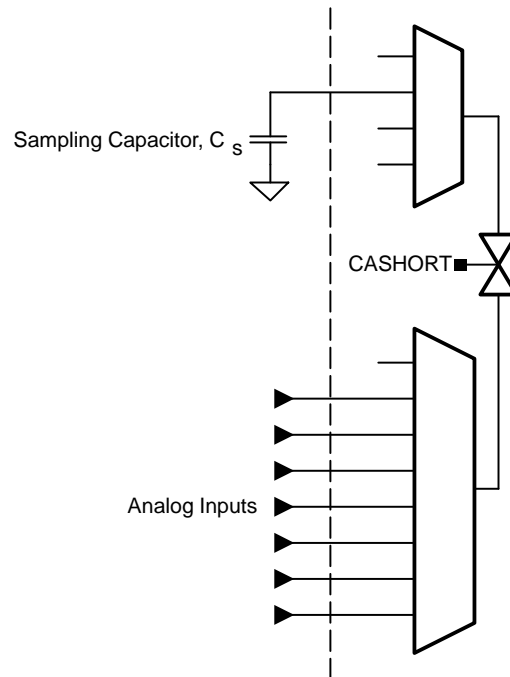
When the comparator is on, the input terminals should be connected to a signal, power, or ground. Otherwise, floating levels may cause unexpected interrupts and increased current consumption.

The CAEX bit controls the input multiplexer, exchanging which input signals are connected to the comparator's + and – terminals. Additionally, when the comparator terminals are exchanged, the output signal from the comparator is inverted. This allows the user to determine or compensate for the comparator input offset voltage.

24.2.3 Input Short Switch

The CASHORT bit shorts the comparator_A+ inputs. This can be used to build a simple sample-and-hold for the comparator as shown in Figure 24–2.

Figure 24–2. Comparator_A+ Sample–And–Hold



The required sampling time is proportional to the size of the sampling capacitor (C_S), the resistance of the input switches in series with the short switch (R_i), and the resistance of the external source (R_S). The total internal resistance (R_I) is typically in the range of 2 – 10 k Ω . The sampling capacitor C_S should be greater than 100pF. The time constant, Tau, to charge the sampling capacitor C_S can be calculated with the following equation:

$$\text{Tau} = (R_I + R_S) \times C_S$$

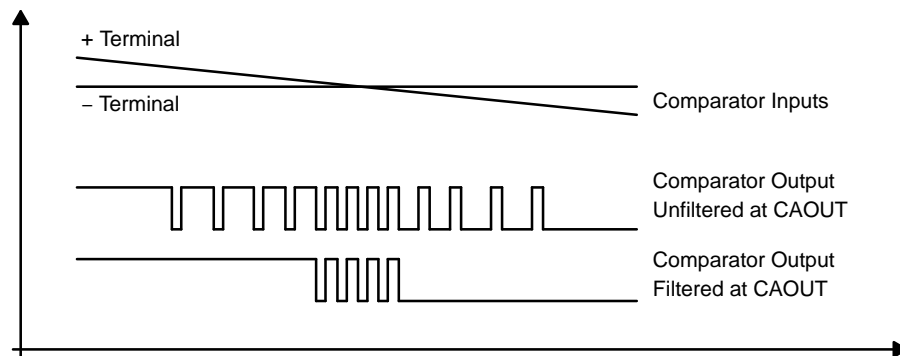
Depending on the required accuracy 3 to 10 Tau should be used as a sampling time. With 3 Tau the sampling capacitor is charged to approximately 95% of the input signals voltage level, with 5 Tau it is charge to more than 99% and with 10 Tau the sampled voltage is sufficient for 12-bit accuracy.

24.2.4 Output Filter

The output of the comparator can be used with or without internal filtering. When control bit CAF is set, the output is filtered with an on-chip RC-filter.

Any comparator output oscillates if the voltage difference across the input terminals is small. Internal and external parasitic effects and cross coupling on and between signal lines, power supply lines, and other parts of the system are responsible for this behavior as shown in Figure 24–3. The comparator output oscillation reduces accuracy and resolution of the comparison result. Selecting the output filter can reduce errors associated with comparator oscillation.

Figure 24–3. RC-Filter Response at the Output of the Comparator



24.2.5 Voltage Reference Generator

The voltage reference generator is used to generate V_{CAREF} , which can be applied to either comparator input terminal. The CAREF_x bits control the output of the voltage generator. The CARSEL bit selects the comparator terminal to which V_{CAREF} is applied. If external signals are applied to both comparator input terminals, the internal reference generator should be turned off to reduce current consumption. The voltage reference generator can generate a fraction of the device's V_{CC} or a fixed transistor threshold voltage of ~ 0.55 V.

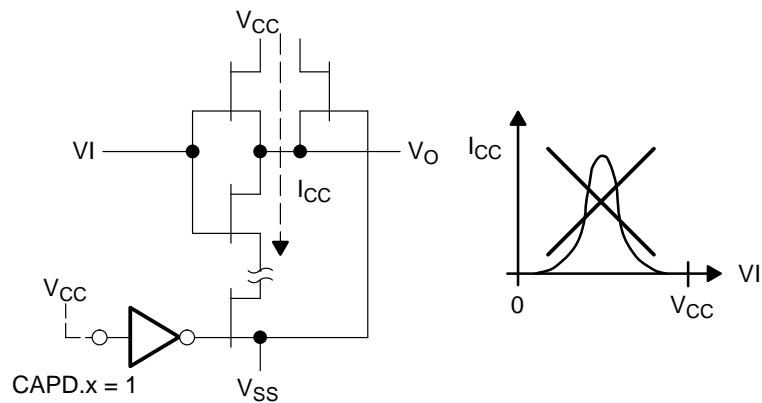
24.2.6 Comparator_A+, Port Disable Register CAPD

The comparator input and output functions are multiplexed with the associated I/O port pins, which are digital CMOS gates. When analog signals are applied to digital CMOS gates, parasitic current can flow from V_{CC} to GND. This parasitic current occurs if the input voltage is near the transition level of the gate. Disabling the port pin buffer eliminates the parasitic current flow and therefore reduces overall current consumption.

The CAPDx bits, when set, disable the corresponding Px input and output buffers as shown in Figure 24–4. When current consumption is critical, any port pin connected to analog signals should be disabled with its CAPDx bit.

Selecting an input pin to the comparator multiplexer with the P2CAx bits automatically disables the input and output buffers for that pin, regardless of the state of the associated CAPDx bit.

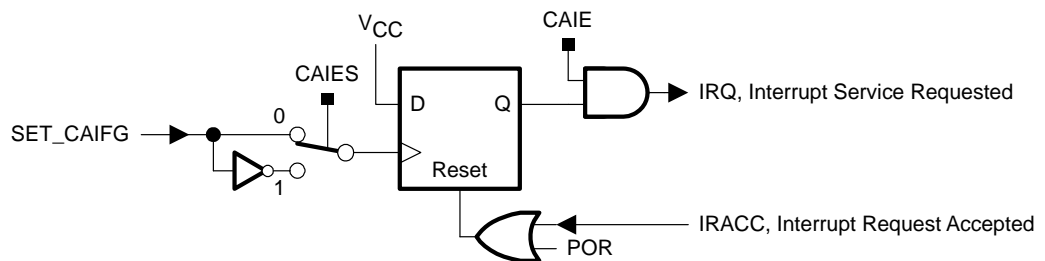
Figure 24–4. Transfer Characteristic and Power Dissipation in a CMOS Inverter/Buffer



24.2.7 Comparator_A+ Interrupts

One interrupt flag and one interrupt vector are associated with the Comparator_A+ as shown in Figure 24–5. The interrupt flag CAIFG is set on either the rising or falling edge of the comparator output, selected by the CAIES bit. If both the CAIE and the GIE bits are set, then the CAIFG flag generates an interrupt request. The CAIFG flag is automatically reset when the interrupt request is serviced or may be reset with software.

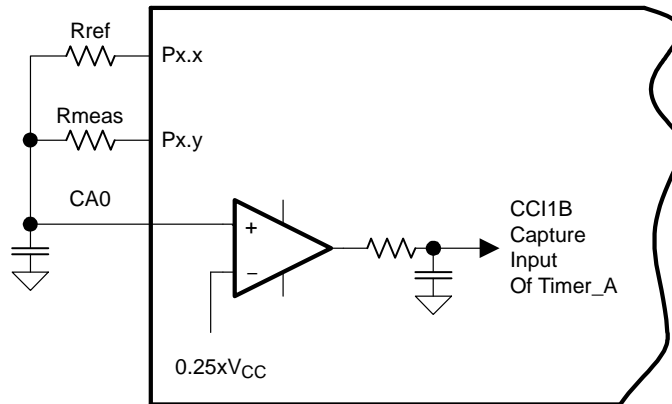
Figure 24–5. Comparator_A+ Interrupt System



24.2.8 Comparator_A+ Used to Measure Resistive Elements

The Comparator_A+ can be optimized to precisely measure resistive elements using single slope analog-to-digital conversion. For example, temperature can be converted into digital data using a thermistor, by comparing the thermistor's capacitor discharge time to that of a reference resistor as shown in Figure 24–6. A reference resistor R_{ref} is compared to R_{meas} .

Figure 24–6. Temperature Measurement System



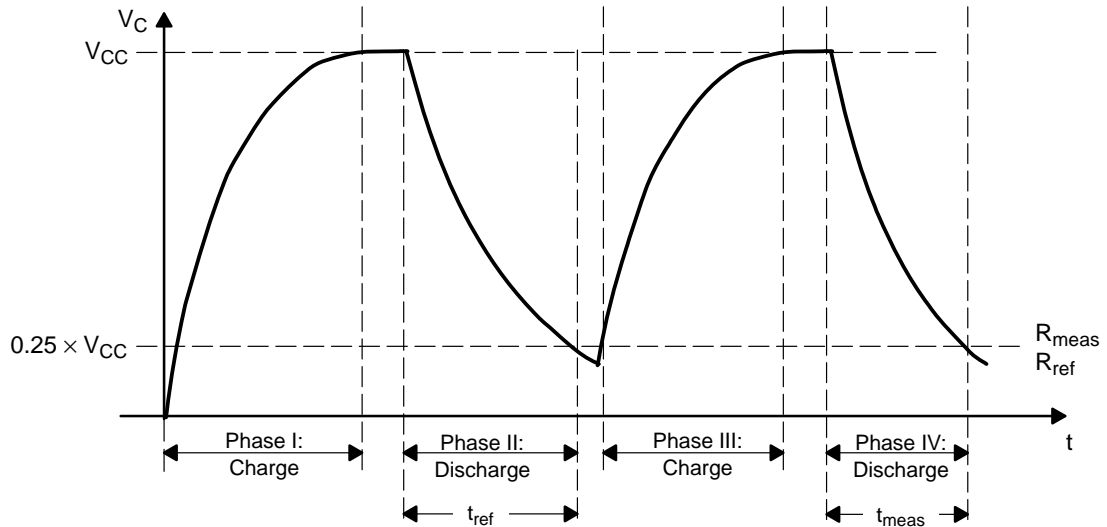
The MSP430 resources used to calculate the temperature sensed by R_{meas} are:

- Two digital I/O pins to charge and discharge the capacitor.
- I/O set to output high (V_{CC}) to charge capacitor, reset to discharge.
- I/O switched to high-impedance input with CAPD_x set when not in use.
- One output charges and discharges the capacitor via R_{ref} .
- One output discharges capacitor via R_{meas} .
- The + terminal is connected to the positive terminal of the capacitor.
- The – terminal is connected to a reference level, for example $0.25 \times V_{CC}$.
- The output filter should be used to minimize switching noise.
- CAOUT used to gate Timer_A CCI1B, capturing capacitor discharge time.

More than one resistive element can be measured. Additional elements are connected to CA0 with available I/O pins and switched to high impedance when not being measured.

The thermistor measurement is based on a ratiometric conversion principle. The ratio of two capacitor discharge times is calculated as shown in Figure 24–7.

Figure 24–7. Timing for Temperature Measurement Systems



The V_{CC} voltage and the capacitor value should remain constant during the conversion, but are not critical since they cancel in the ratio:

$$\frac{N_{meas}}{N_{ref}} = \frac{-R_{meas} \times C \times \ln \frac{V_{ref}}{V_{CC}}}{-R_{ref} \times C \times \ln \frac{V_{ref}}{V_{CC}}}$$

$$\frac{N_{meas}}{N_{ref}} = \frac{R_{meas}}{R_{ref}}$$

$$R_{meas} = R_{ref} \times \frac{N_{meas}}{N_{ref}}$$

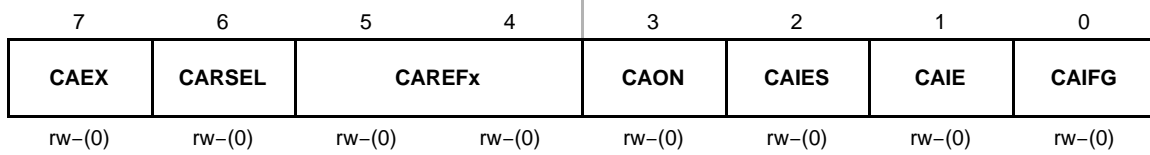
24.3 Comparator_A+ Registers

The Comparator_A+ registers are listed in Table 24–1:

Table 24–1. Comparator_A+ Registers

Register	Short Form	Register Type	Address	Initial State
Comparator_A+ control register 1	CACTL1	Read/write	059h	Reset with POR
Comparator_A+ control register 2	CACTL2	Read/write	05Ah	Reset with POR
Comparator_A+ port disable	CAPD	Read/write	05Bh	Reset with POR

CACTL1, Comparator_A+ Control Register 1



- CAEX** Bit 7 Comparator_A+ exchange. This bit exchanges the comparator inputs and inverts the comparator output.

- CARSEL** Bit 6 Comparator_A+ reference select. This bit selects which terminal the V_{CAREF} is applied to.
 When CAEX = 0:
 0 V_{CAREF} is applied to the + terminal
 1 V_{CAREF} is applied to the – terminal
 When CAEX = 1:
 0 V_{CAREF} is applied to the – terminal
 1 V_{CAREF} is applied to the + terminal

- CAREF** Bits 5-4 Comparator_A+ reference. These bits select the reference voltage V_{CAREF} .
 00 Internal reference off. An external reference can be applied.
 01 $0.25 \cdot V_{CC}$
 10 $0.50 \cdot V_{CC}$
 11 Diode reference is selected

- CAON** Bit 3 Comparator_A+ on. This bit turns on the comparator. When the comparator is off it consumes no current. The reference circuitry is enabled or disabled independently.
 0 Off
 1 On

- CAIES** Bit 2 Comparator_A+ interrupt edge select
 0 Rising edge
 1 Falling edge

- CAIE** Bit 1 Comparator_A+ interrupt enable
 0 Disabled
 1 Enabled

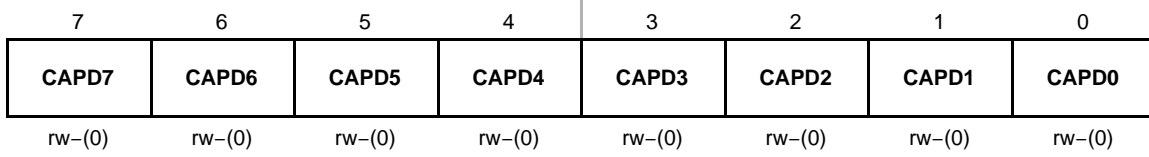
- CAIFG** Bit 0 The Comparator_A+ interrupt flag
 0 No interrupt pending
 1 Interrupt pending

CACTL2, Comparator_A+, Control Register

7	6	5	4	3	2	1	0
CASHORT	P2CA4	P2CA3	P2CA2	P2CA1	P2CA0	CAF	CAOUT
rw-(0)	rw-(0)	rw-(0)	rw-(0)	rw-(0)	rw-(0)	rw-(0)	r-(0)

- CASHORT** Bit 7 Input short. This bit shorts the + and – input terminals.
 0 Inputs not shorted.
 1 Inputs shorted.
- P2CA4** Bit 6 Input select. This bit together with P2CA0 selects the + terminal input when CAEX = 0 and the – terminal input when CAEX = 1.
- P2CA3** Bits Input select. These bits select the – terminal input when CAEX = 0 and the
P2CA2 5-3 + terminal input when CAEX = 1.
P2CA1 000 No connection
 001 CA1
 010 CA2
 011 CA3
 100 CA4
 101 CA5
 110 CA6
 111 CA7
- P2CA0** Bit 2 Input select. This bit, together with P2CA4, selects the + terminal input when CAEX = 0 and the – terminal input when CAEX = 1.
 00 No connection
 01 CA0
 10 CA1
 11 CA2
- CAF** Bit 1 Comparator_A+ output filter
 0 Comparator_A+ output is not filtered
 1 Comparator_A+ output is filtered
- CAOUT** Bit 0 Comparator_A+ output. This bit reflects the value of the comparator output. Writing this bit has no effect.

CAPD, Comparator_A+, Port Disable Register



CAPDx Bits Comparator_A+ port disable. These bits individually disable the input buffer for the pins of the port associated with Comparator_A+. For example, if CA0 is on pin P2.3, the CAPDx bits can be used to individually enable or disable each port pin buffer. CAPD0 disables the pin associated with CA0, CAPD1 disables the pin connected associated with CA1, etc.

7-0

0 The input buffer is enabled.

1 The input buffer is disabled.



LCD Controller

The LCD controller drives static, 2-mux, 3-mux, or 4-mux LCDs. This chapter describes LCD controller. The LCD controller is implemented on all MSP430x4xx devices, except the MSP430F41x2, MSP430x42x0, MSP430FG461x, MSP430F47x, MSP430FG47x, MSP430F47x3/4, and MSP430F471xx devices.

Topic	Page
25.1 LCD Controller Introduction	25-2
25.2 LCD Controller Operation	25-4
25.3 LCD Controller Registers	25-18

25.1 LCD Controller Introduction

The LCD controller directly drives LCD displays by creating the ac segment and common voltage signals automatically. The MSP430 LCD controller can support static, 2-mux, 3-mux, and 4-mux LCDs.

The LCD controller features are:

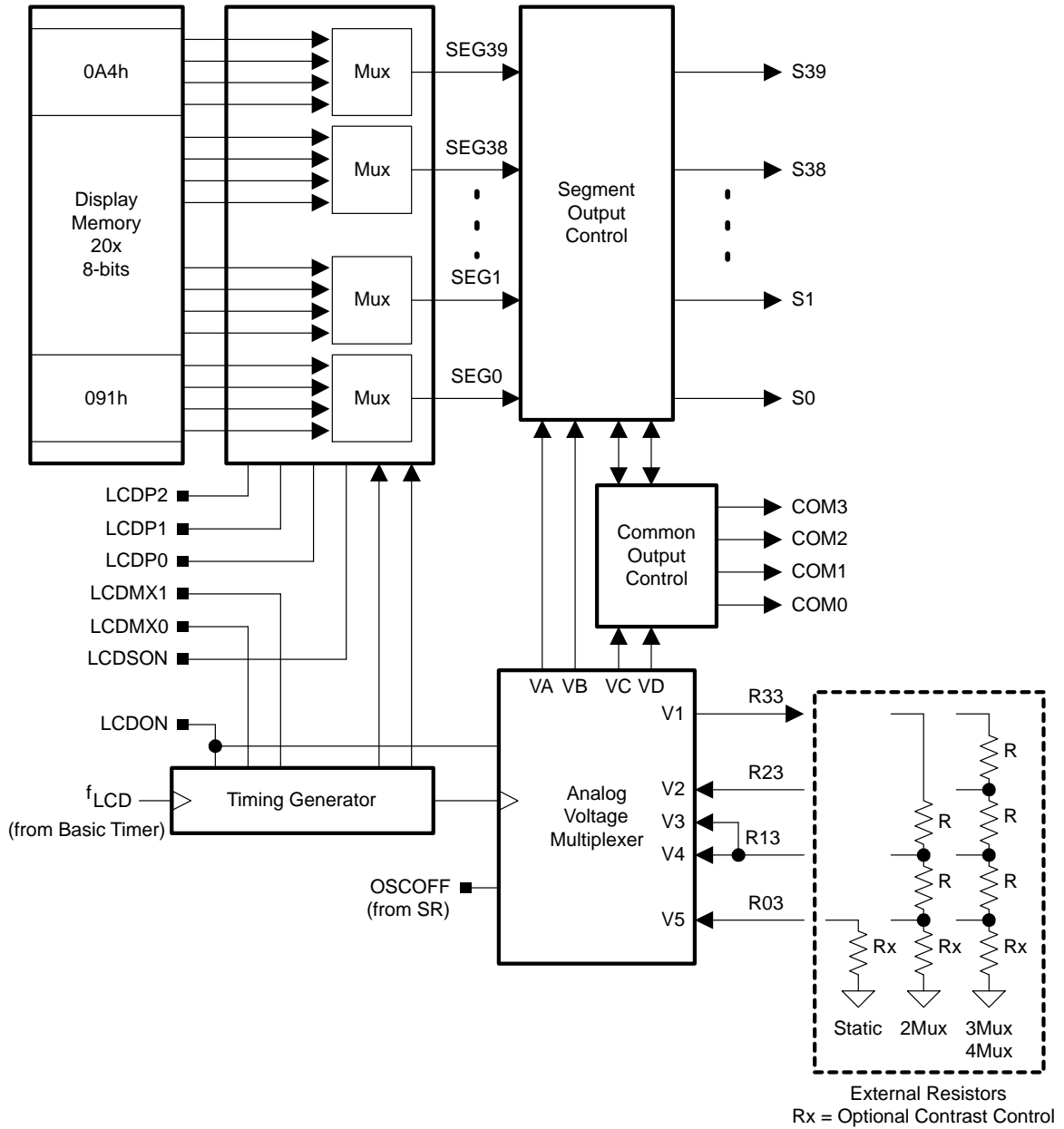
- Display memory
- Automatic signal generation
- Configurable frame frequency
- Blinking capability
- Support for 4 types of LCDs:
 - Static
 - 2-mux, 1/2 bias
 - 3-mux, 1/3 bias
 - 4-mux, 1/3 bias

The LCD controller block diagram is shown in Figure 25–1.

Note: Max LCD Segment Control

The maximum number of segment lines available differs with device. See the device-specific datasheet for details.

Figure 25-1. LCD Controller Block Diagram



25.2 LCD Controller Operation

The LCD controller is configured with user software. The setup and operation of LCD controller is discussed in the following sections.

25.2.1 LCD Memory

The LCD memory map is shown in Figure 25–2. Each memory bit corresponds to one LCD segment, or is not used, depending on the mode. To turn on an LCD segment, its corresponding memory bit is set.

Figure 25–2. LCD Memory

Associated Common Pins	3	2	1	0	3	2	1	0	Associated Segment Pins
Address	7							0	n
0A4h	--	--	--	--	--	--	--	--	38 39, 38
0A3h	--	--	--	--	--	--	--	--	36 37, 36
0A2h	--	--	--	--	--	--	--	--	34 35, 34
0A1h	--	--	--	--	--	--	--	--	32 33, 32
0A0h	--	--	--	--	--	--	--	--	30 31, 30
09Fh	--	--	--	--	--	--	--	--	28 29, 28
09Eh	--	--	--	--	--	--	--	--	26 27, 26
09Dh	--	--	--	--	--	--	--	--	24 25, 24
09Ch	--	--	--	--	--	--	--	--	22 23, 22
09Bh	--	--	--	--	--	--	--	--	20 21, 20
09Ah	--	--	--	--	--	--	--	--	18 19, 18
099h	--	--	--	--	--	--	--	--	16 17, 16
098h	--	--	--	--	--	--	--	--	14 15, 14
097h	--	--	--	--	--	--	--	--	12 13, 12
096h	--	--	--	--	--	--	--	--	10 11, 10
095h	--	--	--	--	--	--	--	--	8 9, 8
094h	--	--	--	--	--	--	--	--	6 7, 6
093h	--	--	--	--	--	--	--	--	4 5, 4
092h	--	--	--	--	--	--	--	--	2 3, 2
091h	--	--	--	--	--	--	--	--	0 1, 0

└──────────┘
└──────────┘
Sn+1
Sn

25.2.2 Blinking the LCD

The LCD controller supports blinking. The LCDSON bit is ANDed with each segment’s memory bit. When LCDSON = 1, each segment is on or off according to its bit value. When LCDSON = 0, each LCD segment is off.

25.2.3 LCD Timing Generation

The LCD controller uses the f_{LCD} signal from the Basic Timer1 to generate the timing for common and segment lines. The proper frequency f_{LCD} depends on the LCD’s requirement for framing frequency and LCD multiplex rate. See the *Basic Timer1* chapter for more information on configuring the f_{LCD} frequency.

25.2.4 LCD Voltage Generation

The voltages required for the LCD signals are supplied externally to pins R33, R23, R13, and R03. Using an equally weighted resistor divider ladder between these pins establishes the analog voltages as shown in Table 25–1. The resistor value R is typically 680 k Ω . Values of R from 100k Ω to 1M Ω can be used depending on LCD requirements.

R33 is a switched- V_{CC} output. This allows the power to the resistor ladder to be turned off eliminating current consumption when the LCD is not used.

Table 25–1. External LCD Module Analog Voltage

OSCOFF	LCDMXx	LCDON	VA	VB	VC	VD	R33
x	xx	0	0	0	0	0	Off
1	xx	x	0	0	0	0	Off
0	00	1	V5/V1	V1/V5	V5/V1	V1/V5	On
0	01	1	V5/V1	V1/V5	V3/V3	V1/V5	On
0	1x	1	V5/V1	V2/V4	V4/V2	V1/V5	On

LCD Contrast Control

LCD contrast can be controlled by the R03 voltage level with external circuitry, typically an additional resistor Rx to GND. Increasing the voltage at R03 reduces the total applied segment voltage decreasing the LCD contrast.

25.2.5 LCD Outputs

Some LCD segment, common, and Rxx functions are multiplexed with digital I/O functions. These pins can function either as digital I/O or as LCD functions. The pin functions for COMx and Rxx, when multiplexed with digital I/O, are selected using the applicable PxSELx bits as described in the *Digital I/O* chapter. The LCD segment functions, when multiplexed with digital I/O, are selected using the LCDPx bits.

The LCDPx bits selects the LCD function for groups of pins. When LCDPx = 0, no multiplexed pin is set to LCD function. When LCDPx = 1, segments S0 to S15 are selected as LCD function. When LCDPx > 1, LCD segment functions are selected in groups of four. For example, when LCDPx = 2, segments S0 to S19 are selected as LCD function.

Note: LCDPx Bits Do Not Affect Dedicated LCD Segment Pins

The LCDPx bits only affect pins with multiplexed LCD segment functions and digital I/O functions. Dedicated LCD segment pins are not affected by the LCDPx bits.

25.2.6 Static Mode

In static mode, each MSP430 segment pin drives one LCD segment, and one common line, COM0, is used. Figure 25–3 shows some example static waveforms.

Figure 25–3. Example Static Waveforms

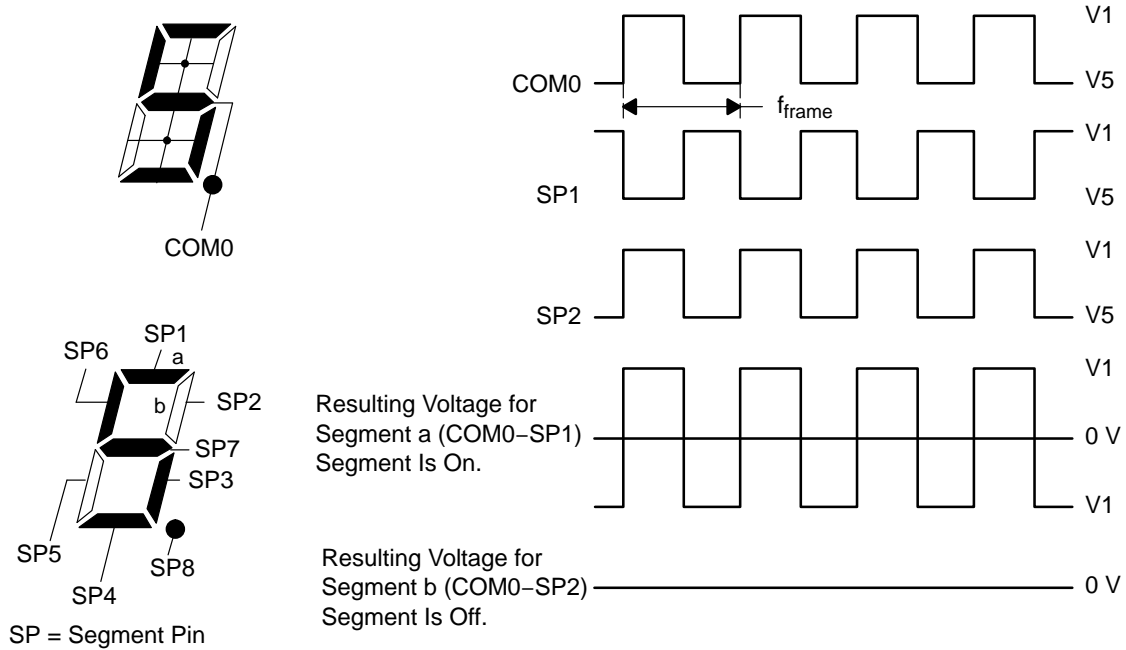
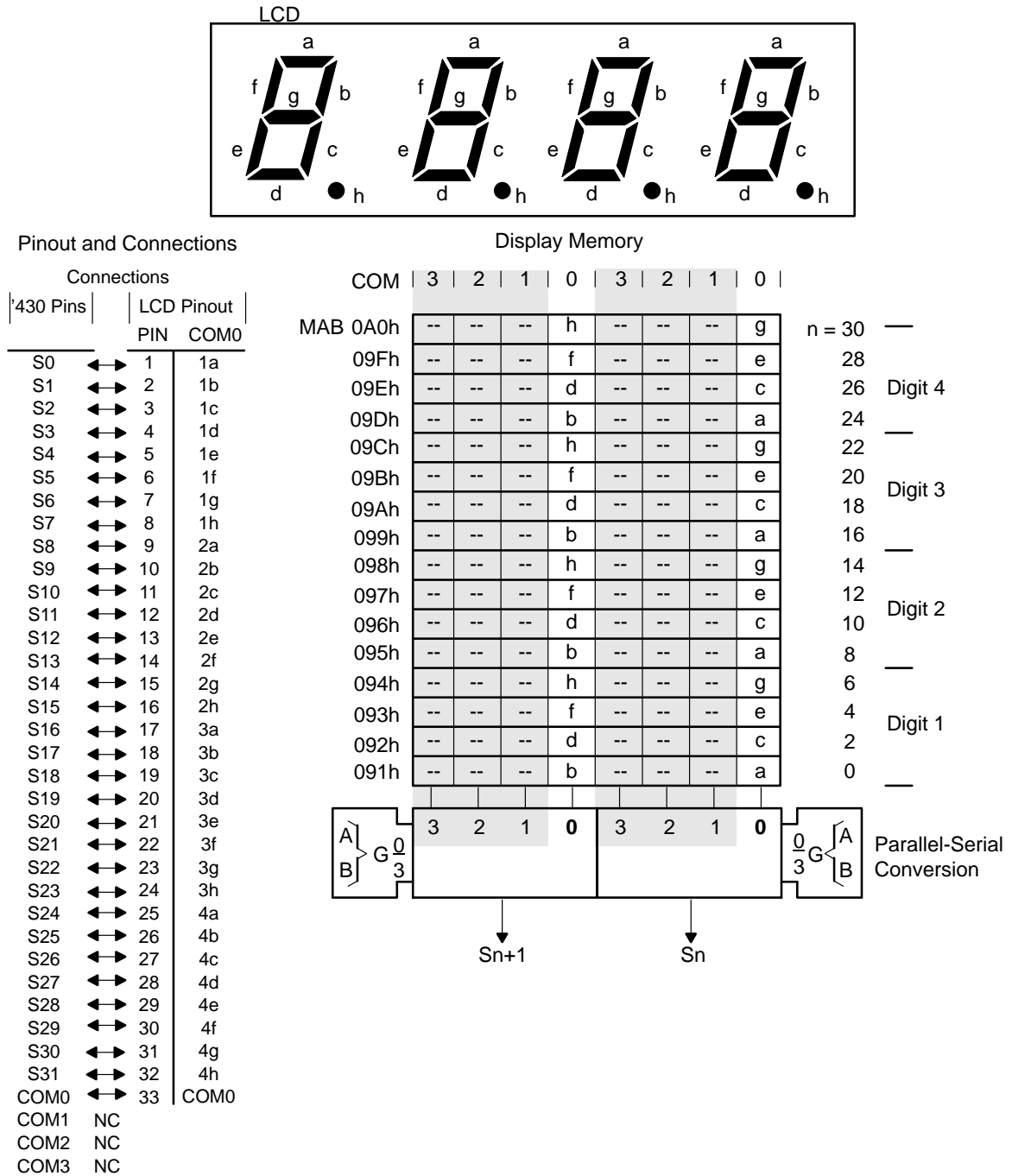


Figure 25–4 shows an example static LCD, pinout, LCD-to-MSP430 connections, and the resulting segment mapping. This is only an example. Segment mapping in a user’s application depends on the LCD pinout and on the MSP430-to-LCD connections.

Figure 25–4. Static LCD Example



Static Mode Software Example

```

; All eight segments of a digit are often located in four
; display memory bytes with the static display method.
;
a    EQU    001h
b    EQU    010h
c    EQU    002h
d    EQU    020h
e    EQU    004h
f    EQU    040h
g    EQU    008h
h    EQU    080h
; The register content of Rx should be displayed.
; The Table represents the 'on'-segments according to the
; content of Rx.
    MOV.B Table (Rx),RY    ; Load segment information
                           ; into temporary memory.
                           ; (Ry) = 0000 0000 hfdb geca
    MOV.B Ry,&LCDn         ; Note:
                           ; All bits of an LCD memory
                           ; ' byte are written
                           ; (Ry) = 0000 0000 0hfd bgec
    RRA Ry
    MOV.B Ry,&LCDn+1       ; Note:
                           ; All bits of an LCD memory
                           ; byte are written
                           ; (Ry) = 0000 0000 00hf dbge
    RRA Ry
    MOV.B Ry,&LCDn+2       ; Note:
                           ; All bits of an LCD memory
                           ; ' byte are written
                           ; (Ry) = 0000 0000 000h fdbg
    RRA Ry
    MOV.B Ry,&LCDn+3       ; Note:
                           ; All bits of an LCD memory
                           ; ' byte are written

    .....
    .....
;
Table DB    a+b+c+d+e+f    ; displays "0"
      DB    b+c;          ; displays "1"
      .....
      .....
      DB
      .....

```

25.2.7 2-Mux Mode

In 2-mux mode, each MSP430 segment pin drives two LCD segments, and two common lines, COM0 and COM1, are used. Figure 25–5 shows some example 2-mux waveforms.

Figure 25–5. Example 2-Mux Waveforms

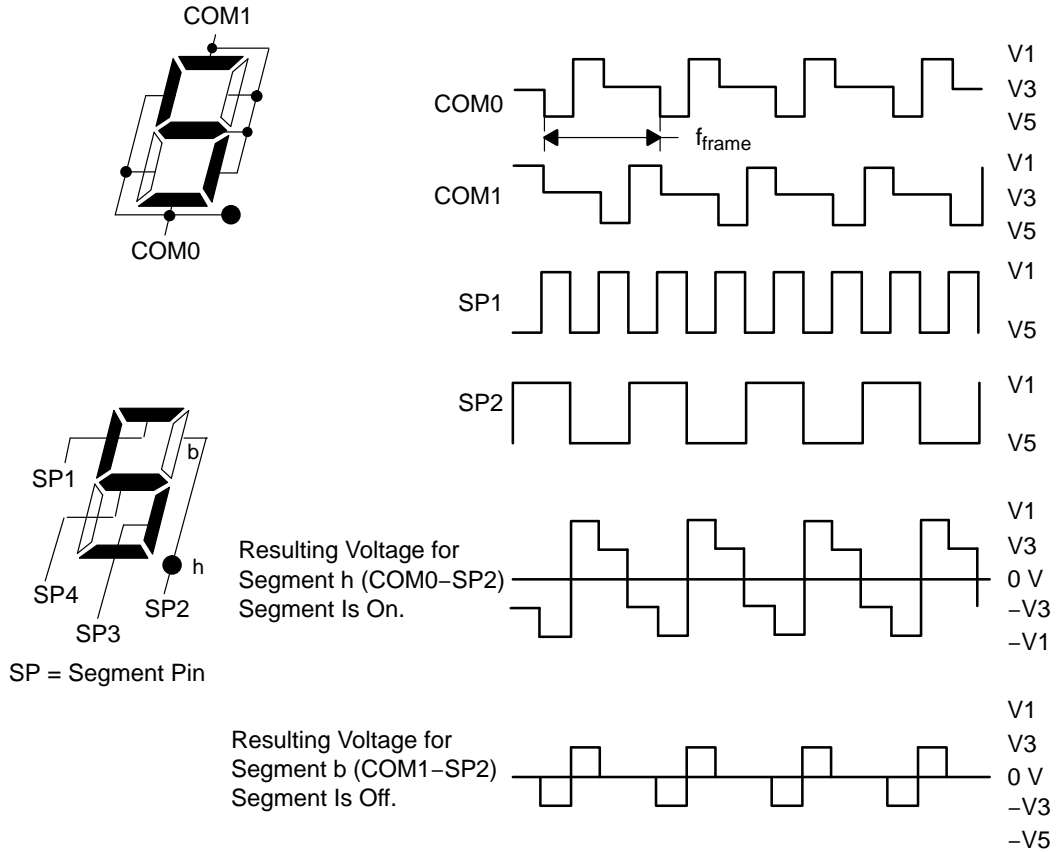
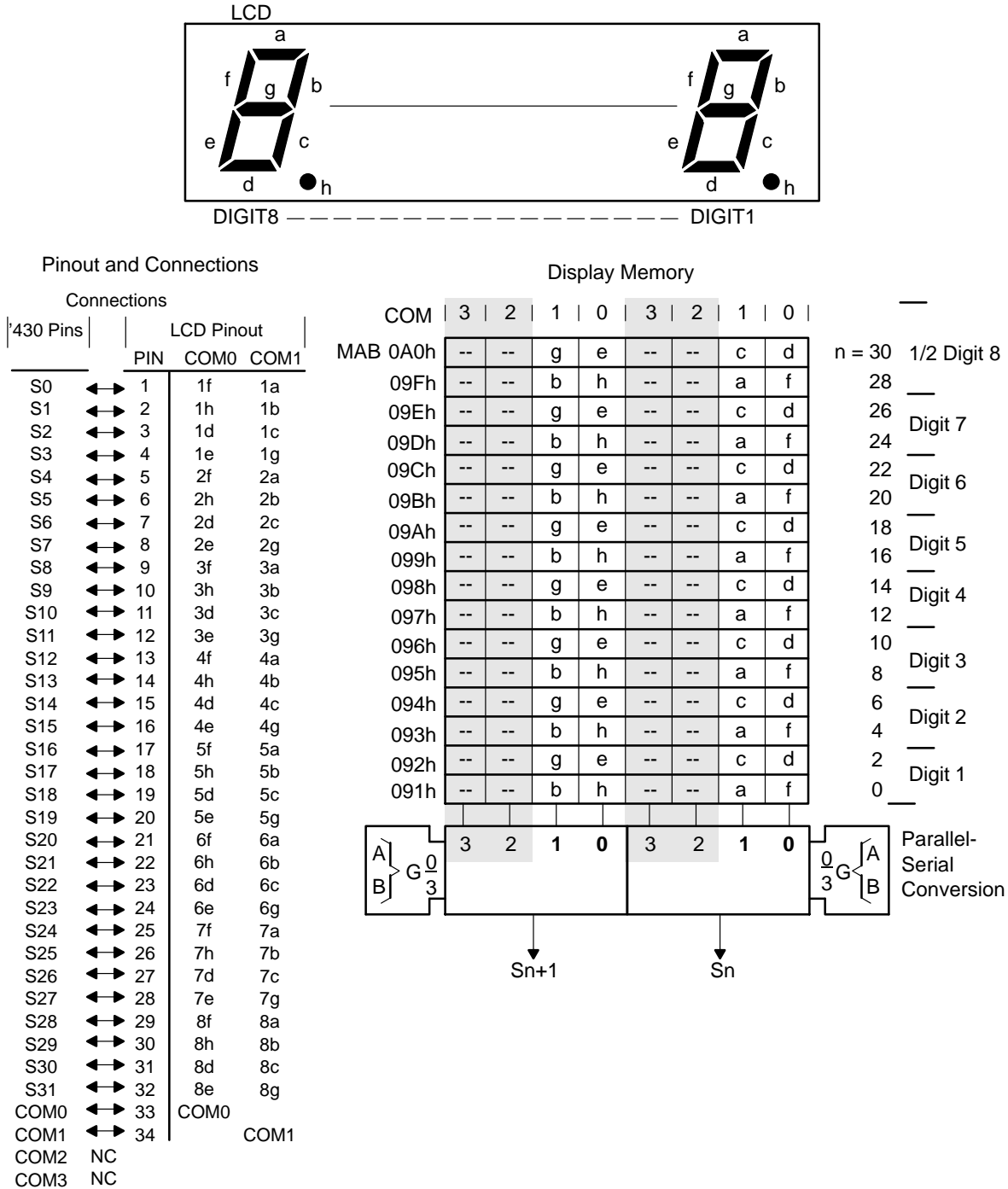


Figure 25–6 shows an example 2-mux LCD, pinout, LCD-to-MSP430 connections, and the resulting segment mapping. This is only an example. Segment mapping in a user’s application completely depends on the LCD pinout and on the MSP430-to-LCD connections.

Figure 25–6. 2–Mux LCD Example



2-Mux Mode Software Example

```

; All eight segments of a digit are often located in two
; display memory bytes with the 2mux display rate
;
a    EQU    002h
b    EQU    020h
c    EQU    008h
d    EQU    004h
e    EQU    040h
f    EQU    001h
g    EQU    080h
h    EQU    010h
; The register content of Rx should be displayed.
; The Table represents the 'on'-segments according to the
; content of Rx.
;
; .....
; .....
MOV.B Table(Rx),Ry ; Load segment information into
; temporary memory.
MOV.B Ry,&LCDn     ; (Ry) = 0000 0000 gebh cdaf
; Note:
; All bits of an LCD memory byte
; are written
RRA Ry           ; (Ry) = 0000 0000 0geb hcda
RRA Ry           ; (Ry) = 0000 0000 00ge bhcd
MOV.B Ry,&LCDn+1  ; Note:
; All bits of an LCD memory byte
; are written
; .....
; .....
; .....
Table DB a+b+c+d+e+f ; displays "0"
; .....
DB a+b+c+d+e+f+g+ ; displays "8"
; .....
; .....
DB
; .....
;

```

25.2.8 3-Mux Mode

In 3-mux mode, each MSP430 segment pin drives three LCD segments, and three common lines, COM0, COM1 and COM2 are used. Figure 25–7 shows some example 3-mux waveforms.

Figure 25–7. Example 3-Mux Waveforms

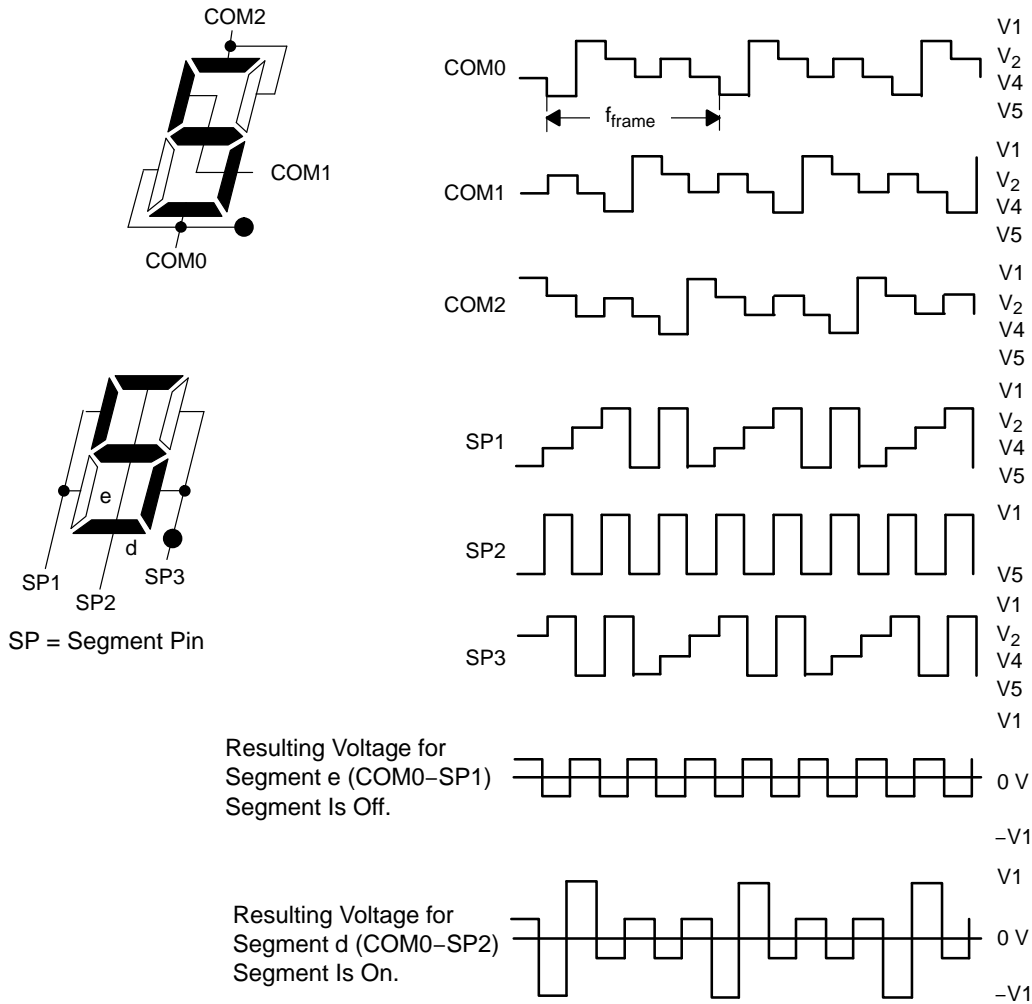
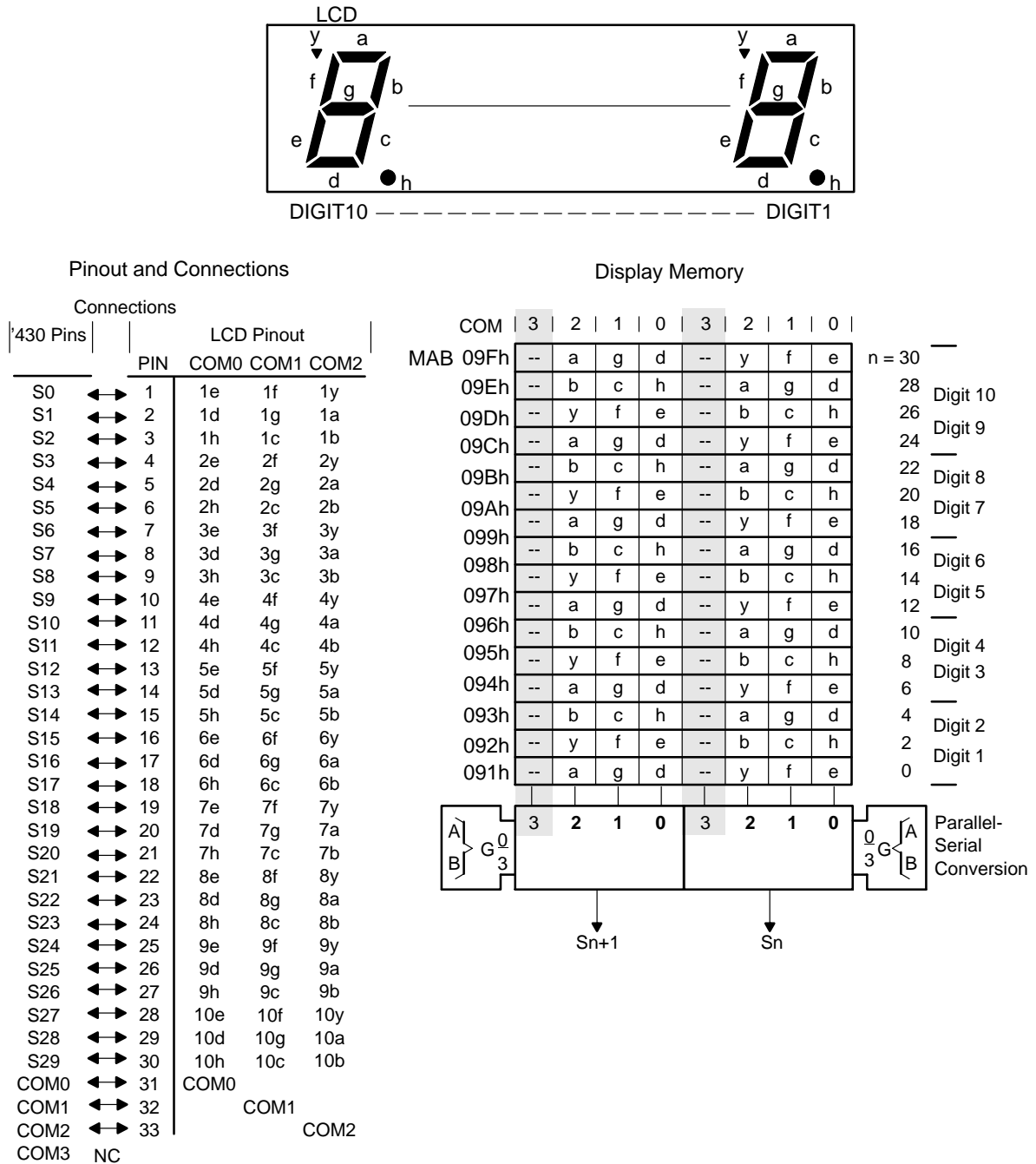


Figure 25–8 shows an example 3-mux LCD, pinout, LCD-to-MSP430 connections, and the resulting segment mapping. This is only an example. Segment mapping in a user’s application depends on the LCD pinout and on the MSP430-to-LCD connections.

Figure 25–8. 3-Mux LCD Example



3-Mux Mode Software Example

```

; The 3mux rate can support nine segments for each
; digit. The nine segments of a digit are located in
; 1 1/2 display memory bytes.
;
a    EQU    0040h
b    EQU    0400h
c    EQU    0200h
d    EQU    0010h
e    EQU    0001h
f    EQU    0002h
g    EQU    0020h
h    EQU    0100h
Y    EQU    0004h
; The LSDigit of register Rx should be displayed.
; The Table represents the 'on'-segments according to the
; LSDigit of register of Rx.
; The register Ry is used for temporary memory
;
ODDIGRLA    Rx            ; LCD in 3mux has 9 segments per
                        ; digit; word table required for
                        ; displayed characters.
MOV    Table(Rx),Ry    ; Load segment information to
                        ; temporary mem.
                        ; (Ry) = 0000 0bch 0agd 0yfe
MOV.B   Ry,&LCDn        ; write 'a, g, d, y, f, e' of
                        ; Digit n (LowByte)
SWPB   Ry              ; (Ry) = 0agd 0yfe 0000 0bch
BIC.B  #07h,&LCDn+1    ; write 'b, c, h' of Digit n
                        ; (HighByte)
BIS.B  Ry,&LCDn+1
.....
EVNDIGRLA   Rx            ; LCD in 3mux has 9 segments per
                        ; digit; word table required for
                        ; displayed characters.
MOV    Table(Rx),Ry    ; Load segment information to
                        ; temporary mem.
                        ; (Ry) = 0000 0bch 0agd 0yfe
RLA    Ry              ; (Ry) = 0000 bch0 agd0 yfe0
RLA    Ry              ; (Ry) = 000b ch0a gd0y fe00
RLA    Ry              ; (Ry) = 00bc h0ag d0yf e000
RLA    Ry              ; (Ry) = 0bch 0agd 0yfe 0000
BIC.B  #070h,&LCDn+1
BIS.B  Ry,&LCDn+1      ; write 'y, f, e' of Digit n+1
                        ; (LowByte)
SWPB   Ry              ; (Ry) = 0yfe 0000 0bch 0agd
MOV.B  Ry,&LCDn+2      ; write 'b, c, h, a, g, d' of
                        ; Digit n+1 (HighByte)
.....
Table   DW    a+b+c+d+e+f ; displays "0"
        DW    b+c         ; displays "1"
.....
        DW    a+e+f+g     ; displays "F"

```

25.2.9 4-Mux Mode

In 4-mux mode, each MSP430 segment pin drives four LCD segments, and all four common lines, COM0, COM1, COM2, and COM3 are used. Figure 25-9 shows some example 4-mux waveforms.

Figure 25-9. Example 4-Mux Waveforms

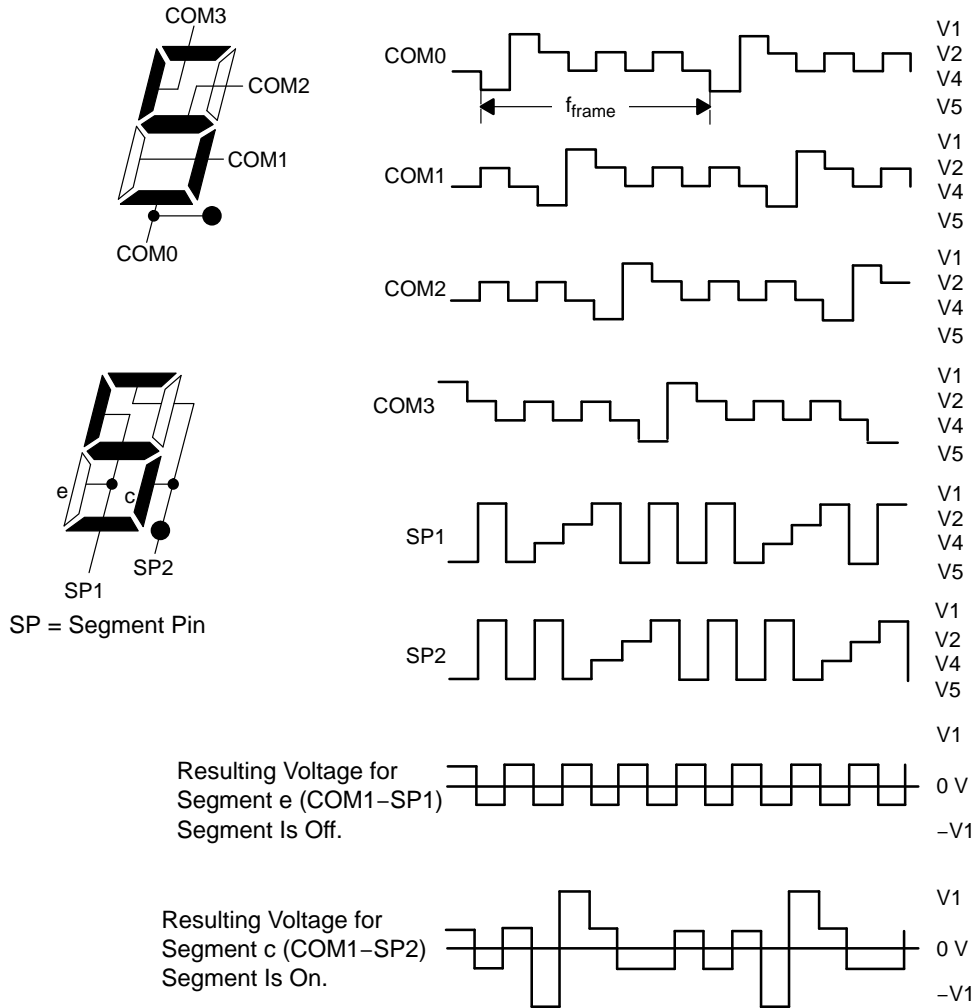
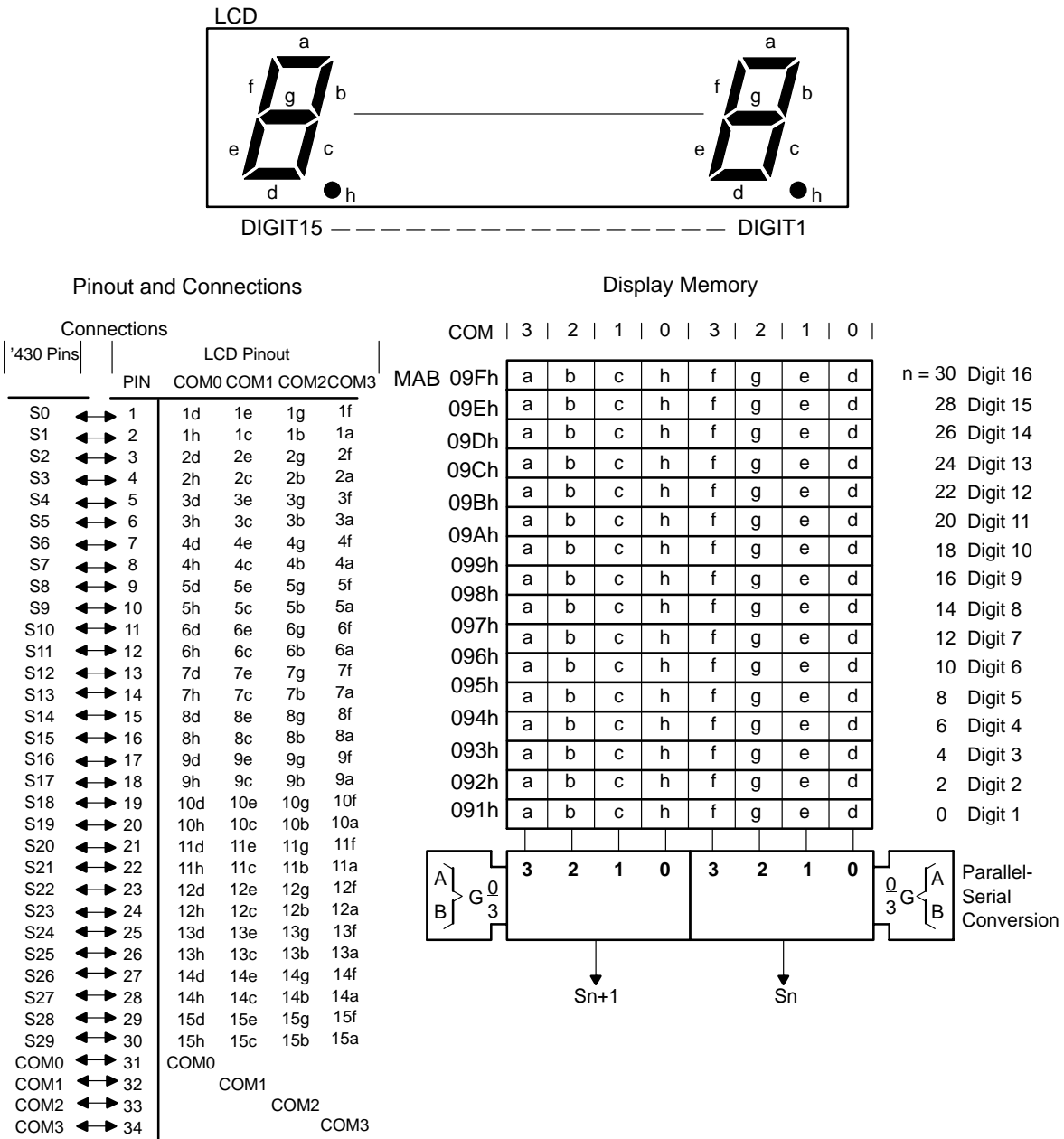


Figure 25–10 shows an example 4-mux LCD, pinout, LCD-to-MSP430 connections, and the resulting segment mapping. This is only an example. Segment mapping in a user’s application depends on the LCD pinout and on the MSP430-to-LCD connections.

Figure 25–10. 4-Mux LCD Example



4-Mux Mode Software Example

```

; The 4mux rate supports eight segments for each digit.
; All eight segments of a digit can often be located in
; one display memory byte
a     EQU    080h
b     EQU    040h
c     EQU    020h
d     EQU    001h
e     EQU    002h
f     EQU    008h
g     EQU    004h
h     EQU    010h
;
; The LSDigit of register Rx should be displayed.
; The Table represents the 'on'-segments according to the
; content of Rx.
;
      MOV.B Table(Rx),&LCDn ; n = 1 ..... 15
                                ; all eight segments are
                                ; written to the display
                                ; memory
      .....
      .....
Table DB    a+b+c+d+e+f      ; displays "0"
      DB    b+c              ; displays "1"
      .....
      .....
      DB    b+c+d+e+g        ; displays "d"
      DB    a+d+e+f+g        ; displays "E"
      DB    a+e+f+g          ; displays "F"

```

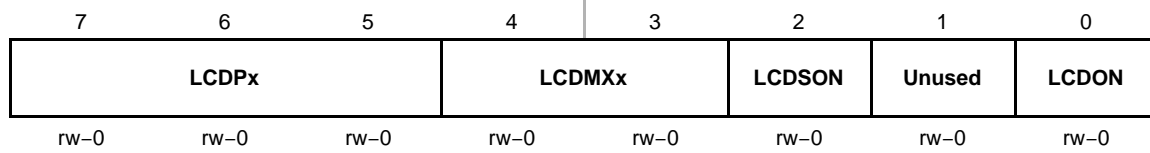
25.3 LCD Controller Registers

The LCD controller registers are listed in Table 25–2.

Table 25–2. LCD Controller Registers

Register	Short Form	Register Type	Address	Initial State
LCD control register	LCDCTL	Read/write	090h	Reset with PUC
LCD memory 1	LCDM1	Read/write	091h	Unchanged
LCD memory 2	LCDM2	Read/write	092h	Unchanged
LCD memory 3	LCDM3	Read/write	093h	Unchanged
LCD memory 4	LCDM4	Read/write	094h	Unchanged
LCD memory 5	LCDM5	Read/write	095h	Unchanged
LCD memory 6	LCDM6	Read/write	096h	Unchanged
LCD memory 7	LCDM7	Read/write	097h	Unchanged
LCD memory 8	LCDM8	Read/write	098h	Unchanged
LCD memory 9	LCDM9	Read/write	099h	Unchanged
LCD memory 10	LCDM10	Read/write	09Ah	Unchanged
LCD memory 11	LCDM11	Read/write	09Bh	Unchanged
LCD memory 12	LCDM12	Read/write	09Ch	Unchanged
LCD memory 13	LCDM13	Read/write	09Dh	Unchanged
LCD memory 14	LCDM14	Read/write	09Eh	Unchanged
LCD memory 15	LCDM15	Read/write	09Fh	Unchanged
LCD memory 16	LCDM16	Read/write	0A0h	Unchanged
LCD memory 17	LCDM17	Read/write	0A1h	Unchanged
LCD memory 18	LCDM18	Read/write	0A2h	Unchanged
LCD memory 19	LCDM19	Read/write	0A3h	Unchanged
LCD memory 20	LCDM20	Read/write	0A4h	Unchanged

LCDCTL, LCD Control Register



LCDPx	Bits 7-5	<p>LCD port select. These bits select the pin function to be port I/O or LCD function for groups of segments pins. These bits ONLY affect pins with multiplexed functions. Dedicated LCD pins are always LCD function.</p> <p>000 No multiplexed pins are LCD function 001 S0-S15 are LCD function 010 S0-S19 are LCD function 011 S0-S23 are LCD function 100 S0-S27 are LCD function 101 S0-S31 are LCD function 110 S0-S35 are LCD function 111 S0-S39 are LCD function</p>
LCDMXx	Bits 4-3	<p>LCD mux rate. These bits select the LCD mode.</p> <p>00 Static 01 2-mux 10 3-mux 11 4-mux</p>
LCDSON	Bit 2	<p>LCD segments on. This bit supports flashing LCD applications by turning off all segment lines, while leaving the LCD timing generator and R33 enabled.</p> <p>0 All LCD segments are off 1 All LCD segments are enabled and on or off according to their corresponding memory location.</p>
Unused	Bit 1	Unused
LCDON	Bit 0	<p>LCD On. This bit turns on the LCD timing generator and R33.</p> <p>0 LCD timing generator and Ron are off 1 LCD timing generator and Ron are on</p>



LCD_A Controller

The LCD_A controller drives static, 2-mux, 3-mux, or 4-mux LCDs. This chapter describes the LCD_A controller. LCD_A controller is implemented on MSP430F41x2, MSP430x42x0, MSP430FG461x, MSP430F47x, MSP430FG47x, MSP430F47x3/4, and MSP430F471xx devices.

Topic	Page
26.1 LCD_A Controller Introduction	26-2
26.2 LCD_A Controller Operation	26-4
26.3 LCD_A Controller Registers	26-21

26.1 LCD_A Controller Introduction

The LCD_A controller directly drives LCD displays by creating the ac segment and common voltage signals automatically. The MSP430 LCD controller can support static, 2-mux, 3-mux, and 4-mux LCDs.

The LCD controller features are:

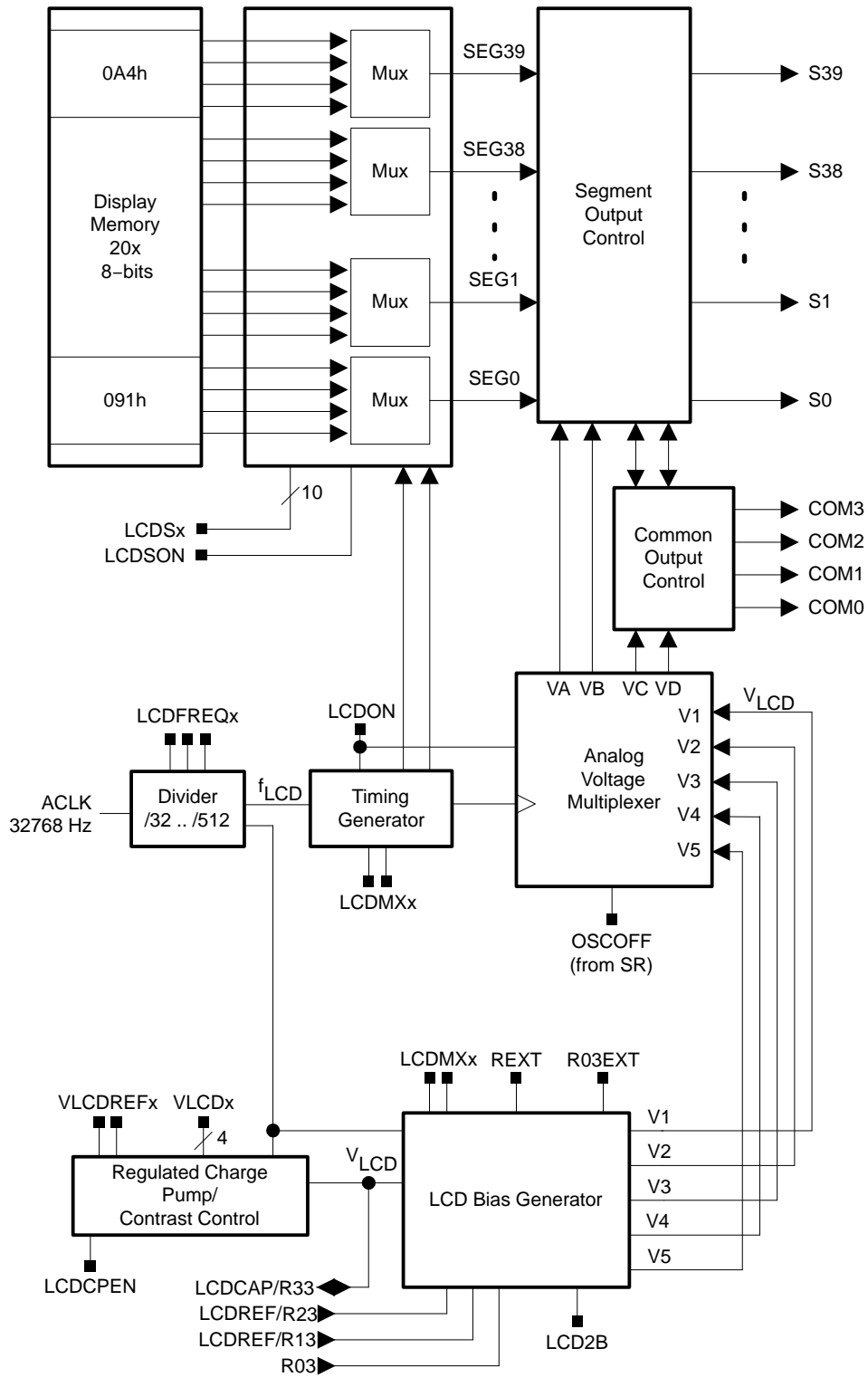
- Display memory
- Automatic signal generation
- Configurable frame frequency
- Blinking capability
- Regulated charge pump
- Contrast control by software
- Support for 4 types of LCDs:
 - Static
 - 2-mux, 1/2 bias or 1/3 bias
 - 3-mux, 1/2 bias or 1/3 bias
 - 4-mux, 1/2 bias or 1/3 bias

The LCD controller block diagram is shown in Figure 26–1.

Note: Maximum LCD Segment Control

The maximum number of segment lines available differs with device. See the device-specific data sheet for available segment pins.

Figure 26-1. LCD_A Controller Block Diagram



26.2 LCD_A Controller Operation

The LCD_A controller is configured with user software. The setup and operation of the LCD_A controller is discussed in the following sections.

26.2.1 LCD Memory

The LCD memory map is shown in Figure 26–2. Each memory bit corresponds to one LCD segment, or is not used, depending on the mode. To turn on an LCD segment, its corresponding memory bit is set.

Figure 26–2. LCD memory

Associated Common Pins	3	2	1	0	3	2	1	0	Associated Segment Pins
Address	7							0	n
0A4h	--	--	--	--	--	--	--	--	38 39, 38
0A3h	--	--	--	--	--	--	--	--	36 37, 36
0A2h	--	--	--	--	--	--	--	--	34 35, 34
0A1h	--	--	--	--	--	--	--	--	32 33, 32
0A0h	--	--	--	--	--	--	--	--	30 31, 30
09Fh	--	--	--	--	--	--	--	--	28 29, 28
09Eh	--	--	--	--	--	--	--	--	26 27, 26
09Dh	--	--	--	--	--	--	--	--	24 25, 24
09Ch	--	--	--	--	--	--	--	--	22 23, 22
09Bh	--	--	--	--	--	--	--	--	20 21, 20
09Ah	--	--	--	--	--	--	--	--	18 19, 18
099h	--	--	--	--	--	--	--	--	16 17, 16
098h	--	--	--	--	--	--	--	--	14 15, 14
097h	--	--	--	--	--	--	--	--	12 13, 12
096h	--	--	--	--	--	--	--	--	10 11, 10
095h	--	--	--	--	--	--	--	--	8 9, 8
094h	--	--	--	--	--	--	--	--	6 7, 6
093h	--	--	--	--	--	--	--	--	4 5, 4
092h	--	--	--	--	--	--	--	--	2 3, 2
091h	--	--	--	--	--	--	--	--	0 1, 0

26.2.2 Blinking the LCD

The LCD controller supports blinking. The LCDSON bit is ANDed with each segment's memory bit. When LCDSON = 1, each segment is on or off according to its bit value. When LCDSON = 0, each LCD segment is off.

26.2.3 LCD_A Voltage And Bias Generation

The LCD_A module allows selectable sources for the peak output waveform voltage, V_1 , as well as the fractional LCD biasing voltages $V_2 - V_5$. V_{LCD} may be sourced from AV_{CC} , an internal charge pump, or externally.

All internal voltage generation is disabled if the oscillator sourcing ACLK is turned off (OSCOFF = 1) or the LCD_A module is disabled (LCDON = 0).

LCD Voltage Selection

V_{LCD} is sourced from AV_{CC} when $VLCDEXT = 0$, $VLCDx = 0$, and $VREFx = 0$. V_{LCD} is sourced from the internal charge pump when $VLCDEXT = 0$, $VLCDPEN = 1$, and $VLCDx > 0$. The charge pump is always sourced from DV_{CC} . The $VLCDx$ bits provide a software selectable LCD voltage from 2.6 V to 3.44 V (typical) independent of DV_{CC} . See the device-specific data sheet for specifications.

When the internal charge pump is used, a 4.7 μF or larger capacitor must be connected between pin LCDCAP and ground. Otherwise, irreversible damage can occur. When the charge pump is enabled, peak currents of 2 mA typical occur on DV_{CC} . However, the charge pump duty cycle is approximately 1/1000, resulting in a 2 μA average current. The charge pump may be temporarily disabled by setting LCDCPEN = 0 with $VLCDx > 0$ to reduce system noise. In this case, the voltage present at the external capacitor is used for the LCD voltages until the charge pump is re-enabled.

Note: Capacitor Required For Internal Charge Pump

A 4.7 μF or larger capacitor must be connected from pin LCDCAP to ground when the internal charge pump is enabled. Otherwise, damage can occur.

The internal charge pump may use an external reference voltage when $VLCDREFx = 01$. In this case, the charge pump voltage will be 3x the voltage applied externally to the LCDREF pin and the $VLCDx$ bits are ignored.

When $VLCDEXT = 1$, V_{LCD} is sourced externally from the LCDCAP pin and the internal charge pump is disabled. The charge pump and internal bias generation require an input clock source of 32768 Hz \pm 10%. If neither is used, the input clock frequency may be different per the application needs.

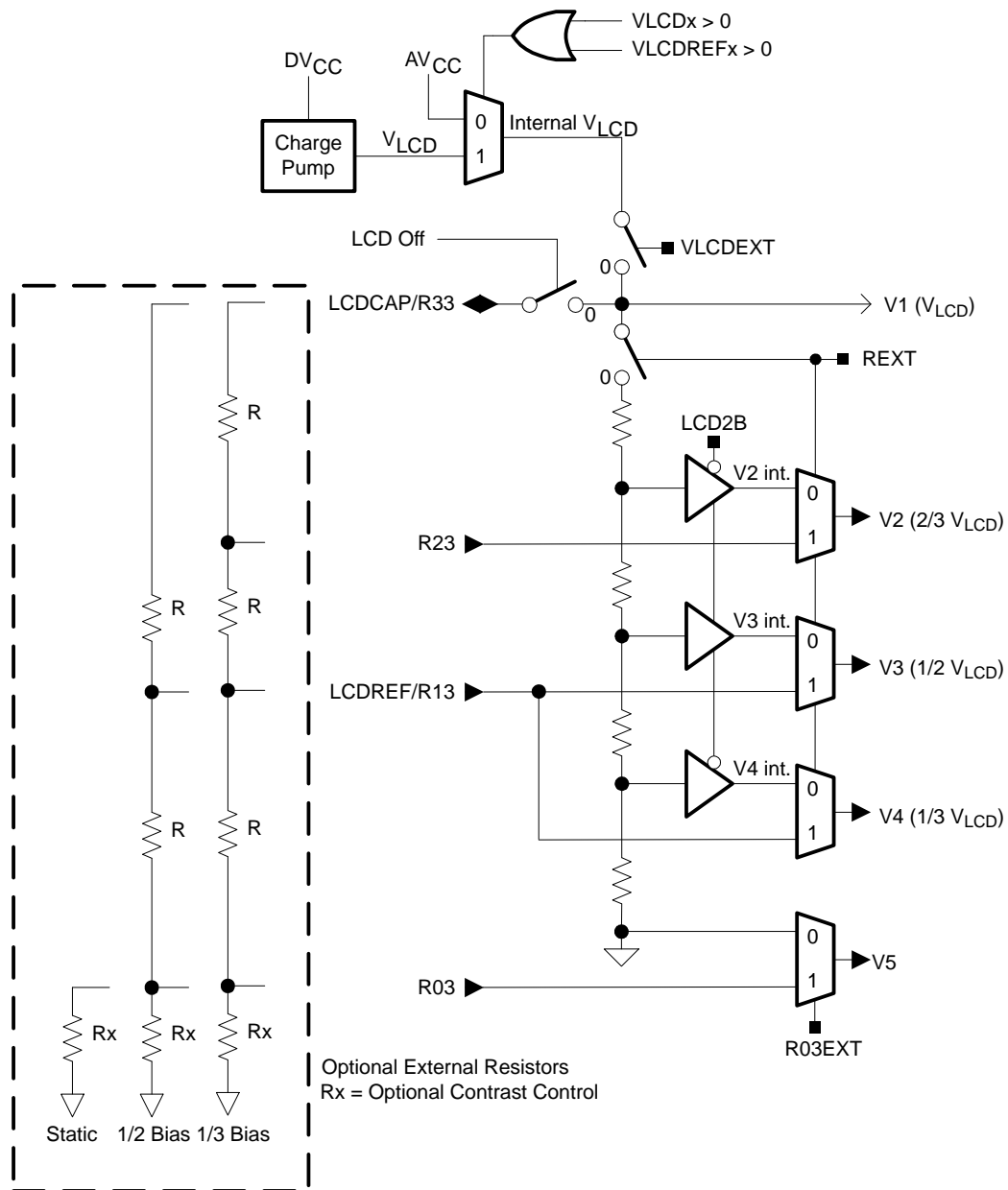
LCD Bias Generation

The fractional LCD biasing voltages, $V_2 - V_5$ can be generated internally or externally, independent of the source for V_{LCD} . The LCD bias generation block diagram is shown in Figure 26–3.

To source the bias voltages V2 – V4 externally, REXT is set. This also disables the internal bias generation. Typically an equally weighted resistor divider is used with resistors ranging from 100 kΩ to 1 MΩ. When using an external resistor divider, the V_{LCD} voltage may be sourced from the internal charge pump when VLCDEXT = 0. V5 can also be sourced externally when R03EXT is set.

When using an external resistor divider R33 may serve as a switched-V_{LCD} output when VLCDEXT = 0. This allows the power to the resistor ladder to be turned off eliminating current consumption when the LCD is not used. When VLCDEXT = 1, R33 serves as a V_{LCD} input.

Figure 26–3. Bias Generation



The internal bias generator supports 1/2 bias LCDs when LCD2B = 1, and 1/3 bias LCDs when LCD2B = 0 in 2-mux, 3-mux, and 4-mux modes. In static mode, the internal divider is disabled.

Some devices share the LCDCAP, R33, and R23 functions. In this case, the charge pump cannot be used together with an external resistor divider with 1/3 biasing. When R03 is not available externally, V5 is always AV_{SS} .

LCD Contrast Control

The peak voltage of the output waveforms together with the selected mode and biasing determine the contrast and the contrast ratio of the LCD. The LCD contrast can be controlled in software by adjusting the LCD voltage generated by the integrated charge pump using the VLCDx settings.

The contrast ratio depends on the used LCD display and the selected biasing scheme. Table 26–1 shows the biasing configurations that apply to the different modes together with the RMS voltages for the segments turned on ($V_{RMS,ON}$) and turned off ($V_{RMS,OFF}$) as functions of V_{LCD} . It also shows the resulting contrast ratios between the on and off states.

Table 26–1. LCD Voltage and Biasing Characteristics

Mode	Bias Config	LCDMx	LCD2B	COM Lines	Voltage Levels	$V_{RMS,OFF}/V_{LCD}$	$V_{RMS,ON}/V_{LCD}$	Contrast Ratio $V_{RMS,ON}/V_{RMS,OFF}$
Static	Static	00	X	1	V1, V5	0	1	1/0
2-mux	1/2	01	1	2	V1, V3, V5	0.354	0.791	2.236
2-mux	1/3	01	0	2	V1, V2, V4, V5	0.333	0.745	2.236
3-mux	1/2	10	1	3	V1, V3, V5	0.408	0.707	1.732
3-mux	1/3	10	0	3	V1, V2, V4, V5	0.333	0.638	1.915
4-mux	1/2	11	1	4	V1, V3, V5	0.433	0.661	1.528
4-mux	1/3	11	0	4	V1, V2, V4, V5	0.333	0.577	1.732

A typical approach to determine the required V_{LCD} is by equating $V_{RMS,OFF}$ with a defined LCD threshold voltage, typically when the LCD exhibits approximately 10% contrast ($V_{th,10\%}$): $V_{RMS,OFF} = V_{th,10\%}$. Using the values for $V_{RMS,OFF}/V_{LCD}$ provided in the table results in $V_{LCD} = V_{th,10\%}/(V_{RMS,OFF}/V_{LCD})$. In the static mode, a suitable choice is V_{LCD} greater or equal than 3 times $V_{th,10\%}$.

In 3-mux and 4-mux mode typically a 1/3 biasing is used but a 1/2 biasing scheme is also possible. The 1/2 bias reduces the contrast ratio but the advantage is a reduction of the required full-scale LCD voltage V_{LCD} .

26.2.4 LCD Timing Generation

The LCD_A controller uses the f_{LCD} signal from the integrated ACLK prescaler to generate the timing for common and segment lines. ACLK is assumed to be 32768 Hz for generating f_{LCD} . The f_{LCD} frequency is selected with the LCDFREQx bits. The proper f_{LCD} frequency depends on the LCD's requirement for framing frequency and the LCD multiplex rate and is calculated by:

$$f_{LCD} = 2 \times \text{mux} \times f_{Frame}$$

For example, to calculate f_{LCD} for a 3-mux LCD, with a frame frequency of 30 Hz to 100 Hz:

$$f_{Frame} \text{ (from LCD data sheet)} = 30 \text{ Hz to } 100 \text{ Hz}$$

$$f_{LCD} = 2 \times 3 \times f_{Frame}$$

$$f_{LCD(\text{min})} = 180 \text{ Hz}$$

$$f_{LCD(\text{max})} = 600 \text{ Hz}$$

select $f_{LCD} = 32768/128 = 256 \text{ Hz}$ or $2768/96 = 341 \text{ Hz}$ or $32768/64 = 512 \text{ Hz}$.

The lowest frequency has the lowest current consumption. The highest frequency has the least flicker.

26.2.5 LCD Outputs

Some LCD segment, common, and Rxx functions are multiplexed with digital I/O functions. These pins can function either as digital I/O or as LCD functions. The pin functions for COMx and Rxx, when multiplexed with digital I/O, are selected using the applicable PxSELx bits as described in the *Digital I/O* chapter. The LCD segment functions, when multiplexed with digital I/O, are selected using the LCDSx bits in the LCDAPCTLx registers.

Note: Using shared pins as digital I/Os

If pins that share digital I/O and LCD functions are used as digital I/Os they should not be toggled at frequencies >10kHz while the LCD is enabled (LCDON=1); otherwise, increased current consumption could be observed.

The LCDSx bits selects the LCD function in groups of four pins. When LCDSx = 0, no multiplexed pin is set to LCD function. When LCDSx = 1, the complete group of four is selected as LCD function.

Note: LCDSx Bits Do Not Affect Dedicated LCD Segment Pins

The LCDSx bits only affect pins with multiplexed LCD segment functions and digital I/O functions. Dedicated LCD segment pins are not affected by the LCDSx bits.

26.2.6 Static Mode

In static mode, each MSP430 segment pin drives one LCD segment and one common line, COM0, is used. Figure 26–4 shows some example static waveforms.

Figure 26–4. Example Static Waveforms

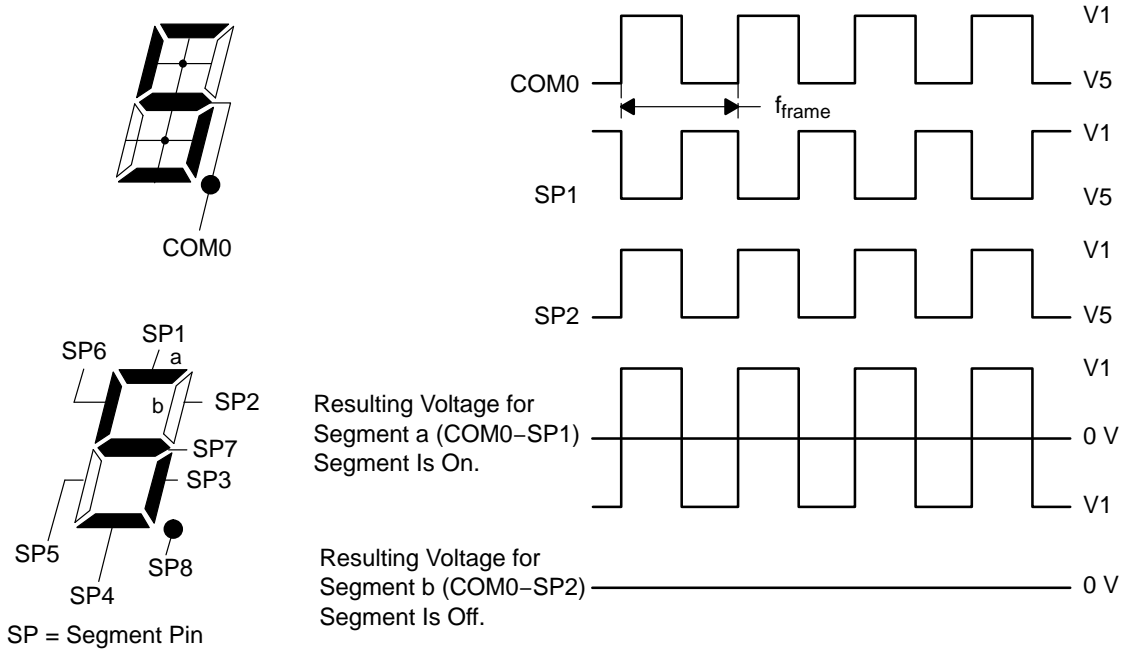
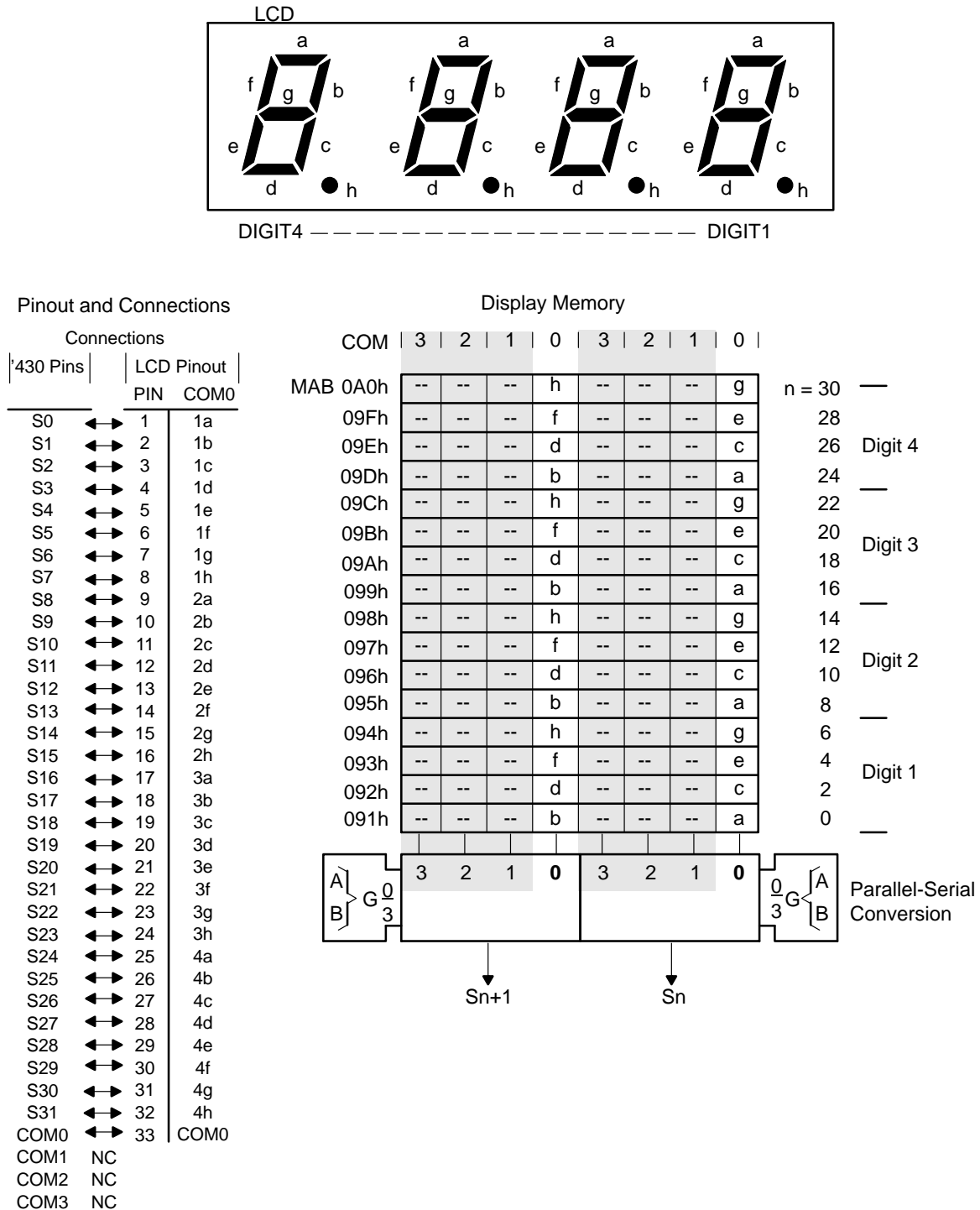


Figure 26–5 shows an example static LCD, pinout, LCD-to-MSP430 connections, and the resulting segment mapping. This is only an example. Segment mapping in a user’s application depends on the LCD pinout and on the MSP430-to-LCD connections.

Figure 26–5. Static LCD Example



Static Mode Software Example

```

; All eight segments of a digit are often located in four
; display memory bytes with the static display method.
;
a    EQU    001h
b    EQU    010h
c    EQU    002h
d    EQU    020h
e    EQU    004h
f    EQU    040h
g    EQU    008h
h    EQU    080h
; The register content of Rx should be displayed.
; The Table represents the 'on'-segments according to the
; content of Rx.
      MOV.B Table (Rx),RY    ; Load segment information
                              ; into temporary memory.
                              ; (Ry) = 0000 0000 hfdb geca
      MOV.B Ry,&LCDn        ; Note:
                              ; All bits of an LCD memory
                              ; ' byte are written
                              ; (Ry) = 0000 0000 0hfd bgec
      RRA Ry
      MOV.B Ry,&LCDn+1      ; Note:
                              ; All bits of an LCD memory
                              ; byte are written
                              ; (Ry) = 0000 0000 00hf dbge
      RRA Ry
      MOV.B Ry,&LCDn+2      ; Note:
                              ; All bits of an LCD memory
                              ; ' byte are written
                              ; (Ry) = 0000 0000 000h fdbg
      RRA Ry
      MOV.B Ry,&LCDn+3      ; Note:
                              ; All bits of an LCD memory
                              ; ' byte are written

      .....
      .....
;
Table DB    a+b+c+d+e+f    ; displays "0"
      DB    b+c;          ; displays "1"
      .....
      .....
      DB
      .....

```

26.2.7 2-Mux Mode

In 2-mux mode, each MSP430 segment pin drives two LCD segments and two common lines, COM0 and COM1, are used. Figure 26–6 shows some example 2-mux, 1/2 bias waveforms.

Figure 26–6. Example 2-Mux Waveforms

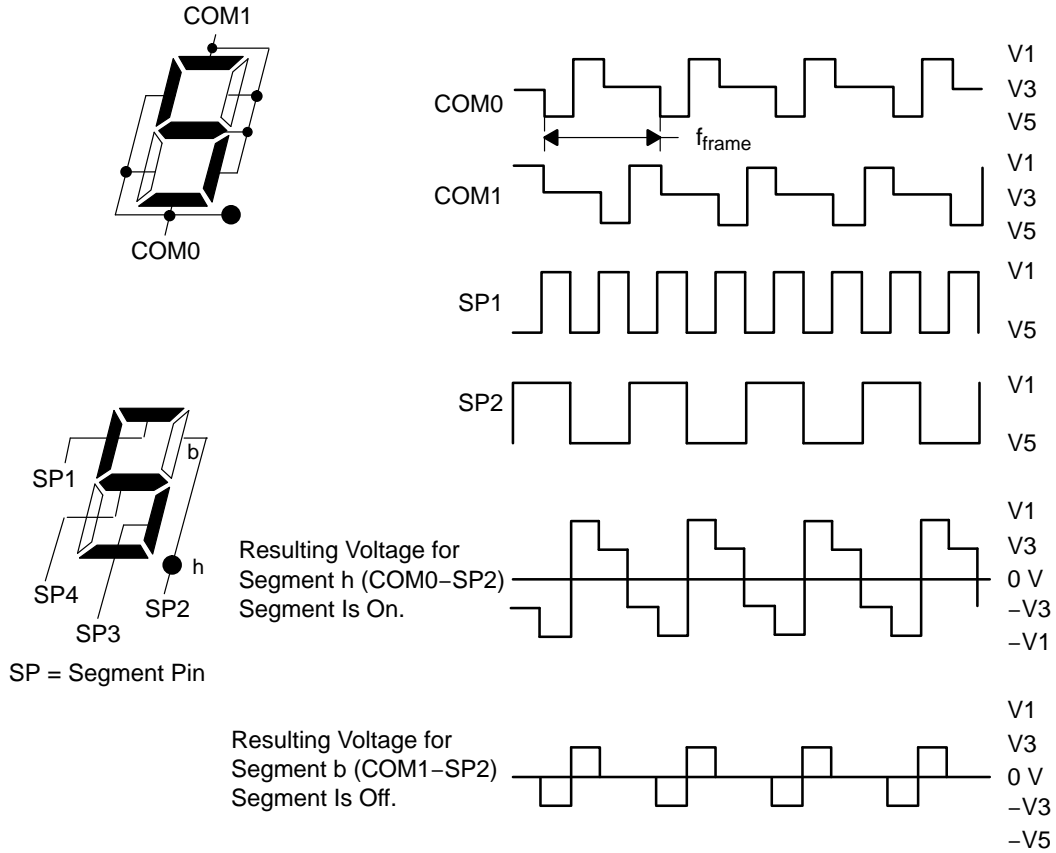
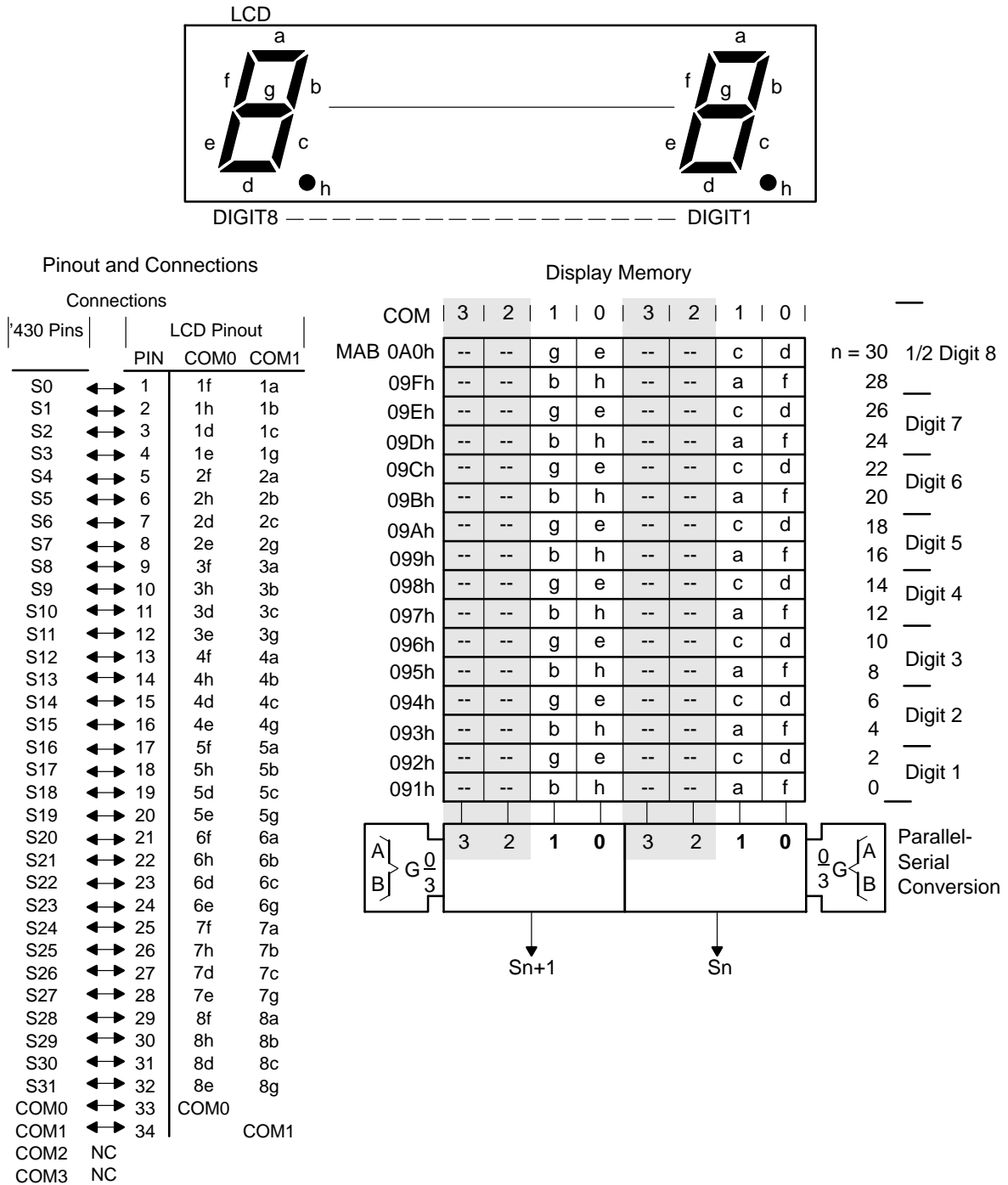


Figure 26-7 shows an example 2-mux LCD, pinout, LCD-to-MSP430 connections, and the resulting segment mapping. This is only an example. Segment mapping in a user's application completely depends on the LCD pinout and on the MSP430-to-LCD connections.

Figure 26-7. 2-Mux LCD Example



2-Mux Mode Software Example

```

; All eight segments of a digit are often located in two
; display memory bytes with the 2mux display rate
;
a    EQU    002h
b    EQU    020h
c    EQU    008h
d    EQU    004h
e    EQU    040h
f    EQU    001h
g    EQU    080h
h    EQU    010h
; The register content of Rx should be displayed.
; The Table represents the 'on'-segments according to the
; content of Rx.
;
.....
.....
MOV.B Table(Rx),Ry ; Load segment information into
                   ; temporary memory.
MOV.B Ry,&LCDn     ; (Ry) = 0000 0000 gebh cdaf
                   ; Note:
                   ; All bits of an LCD memory byte
                   ; are written
RRA    Ry         ; (Ry) = 0000 0000 0geb hcda
RRA    Ry         ; (Ry) = 0000 0000 00ge bhcd
MOV.B Ry,&LCDn+1   ; Note:
                   ; All bits of an LCD memory byte
                   ; are written
.....
.....
Table DB    a+b+c+d+e+f    ; displays "0"
.....
DB    a+b+c+d+e+f+g    ; displays "8"
.....
DB
.....
;

```

26.2.8 3-Mux Mode

In 3-mux mode, each MSP430 segment pin drives three LCD segments and three common lines (COM0, COM1, and COM2) are used. Figure 26–8 shows some example 3-mux, 1/3 bias waveforms.

Figure 26–8. Example 3-Mux Waveforms

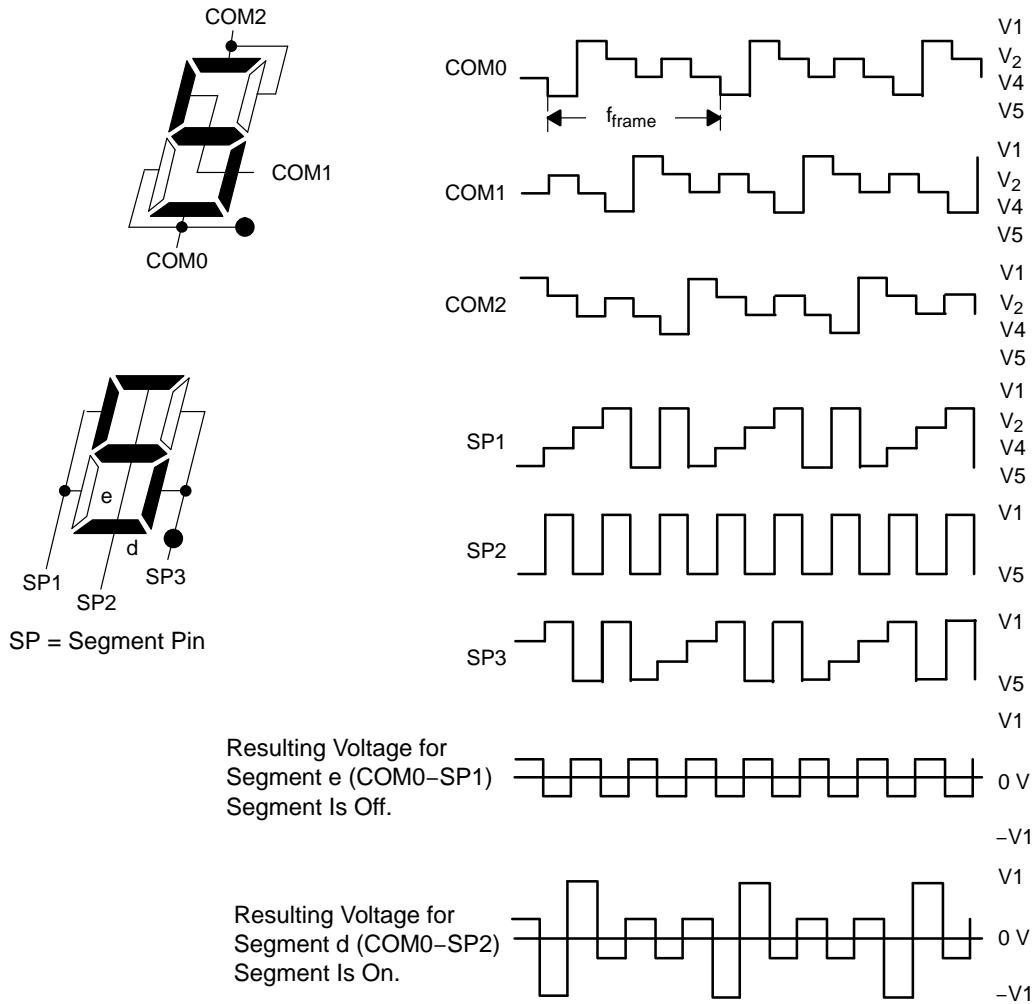
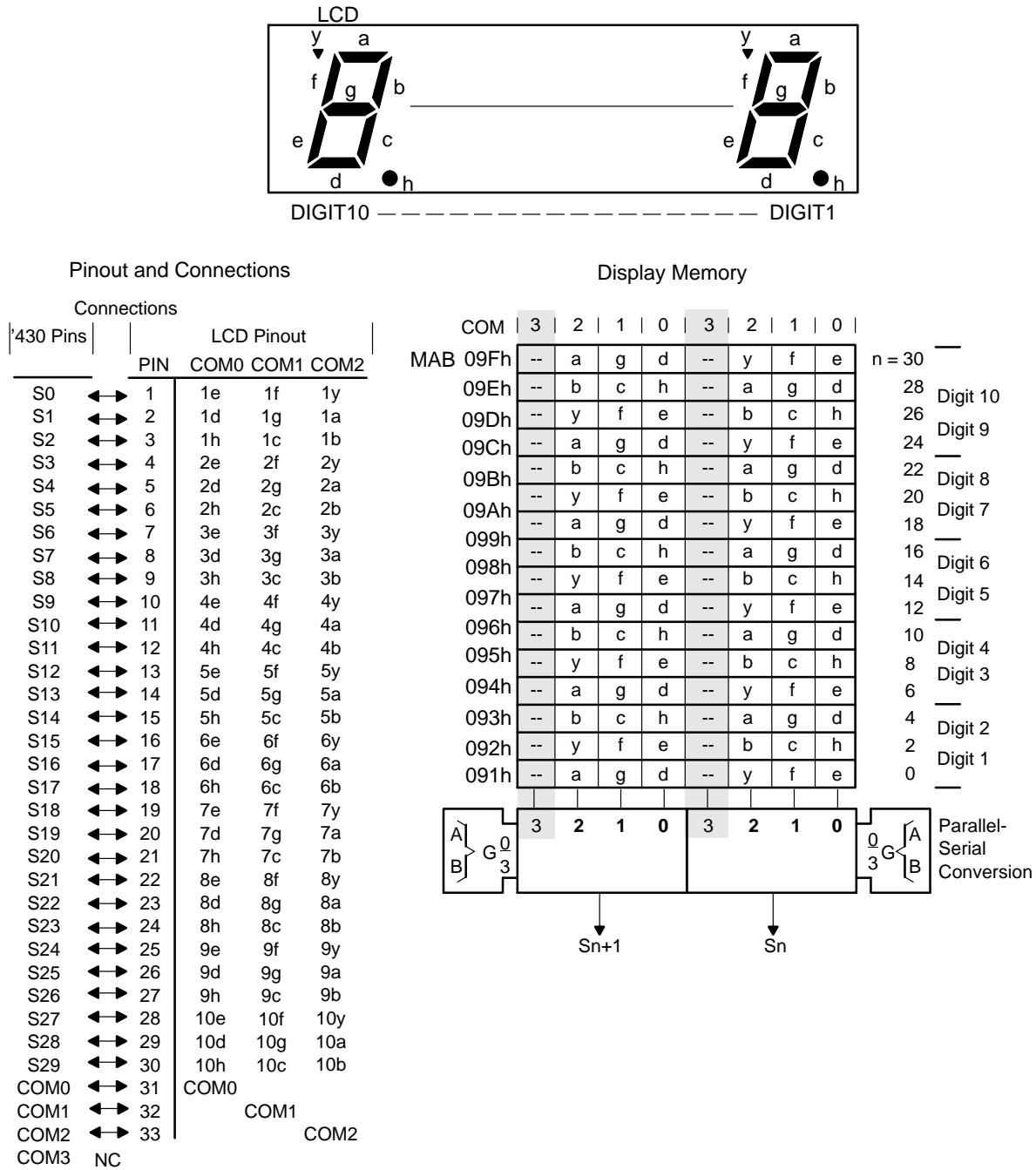


Figure 26–9 shows an example 3-mux LCD, pinout, LCD-to-MSP430 connections, and the resulting segment mapping. This is only an example. Segment mapping in a user’s application depends on the LCD pinout and on the MSP430-to-LCD connections.

Figure 26–9. 3-Mux LCD Example



3-Mux Mode Software Example

```

; The 3mux rate can support nine segments for each
; digit. The nine segments of a digit are located in
; 1 1/2 display memory bytes.
;
a    EQU    0040h
b    EQU    0400h
c    EQU    0200h
d    EQU    0010h
e    EQU    0001h
f    EQU    0002h
g    EQU    0020h
h    EQU    0100h
Y    EQU    0004h
; The LSDigit of register Rx should be displayed.
; The Table represents the 'on'-segments according to the
; LSDigit of register of Rx.
; The register Ry is used for temporary memory
;
ODDDIGRLA    Rx                ; LCD in 3mux has 9 segments per
; digit; word table required for
; displayed characters.
        MOV    Table(Rx),Ry    ; Load segment information to
; temporary mem.
; (Ry) = 0000 0bch 0agd 0yfe
        MOV.B  Ry,&LCDn        ; write 'a, g, d, y, f, e' of
; Digit n (LowByte)
        SWPB  Ry                ; (Ry) = 0agd 0yfe 0000 0bch
        BIC.B #07h,&LCDn+1    ; write 'b, c, h' of Digit n
; (HighByte)
        BIS.B  Ry,&LCDn+1
        .....
EVNDIGRLA    Rx                ; LCD in 3mux has 9 segments per
; digit; word table required for
; displayed characters.
        MOV    Table(Rx),Ry    ; Load segment information to
; temporary mem.
; (Ry) = 0000 0bch 0agd 0yfe
        RLA   Ry                ; (Ry) = 0000 bch0 agd0 yfe0
        RLA   Ry                ; (Ry) = 000b ch0a gd0y fe00
        RLA   Ry                ; (Ry) = 00bc h0ag d0yf e000
        RLA   Ry                ; (Ry) = 0bch 0agd 0yfe 0000
        BIC.B #070h,&LCDn+1
        BIS.B  Ry,&LCDn+1    ; write 'y, f, e' of Digit n+1
; (LowByte)
        SWPB  Ry                ; (Ry) = 0yfe 0000 0bch 0agd
        MOV.B  Ry,&LCDn+2    ; write 'b, c, h, a, g, d' of
; Digit n+1 (HighByte)
        .....
Table    DW    a+b+c+d+e+f    ; displays "0"
        DW    b+c                ; displays "1"
        .....
        DW    a+e+f+g        ; displays "F"

```

26.2.9 4-Mux Mode

In 4-mux mode, each MSP430 segment pin drives four LCD segments and all four common lines (COM0, COM1, COM2, and COM3) are used. Figure 26–10 shows some example 4-mux, 1/3 bias waveforms.

Figure 26–10. Example 4-Mux Waveforms

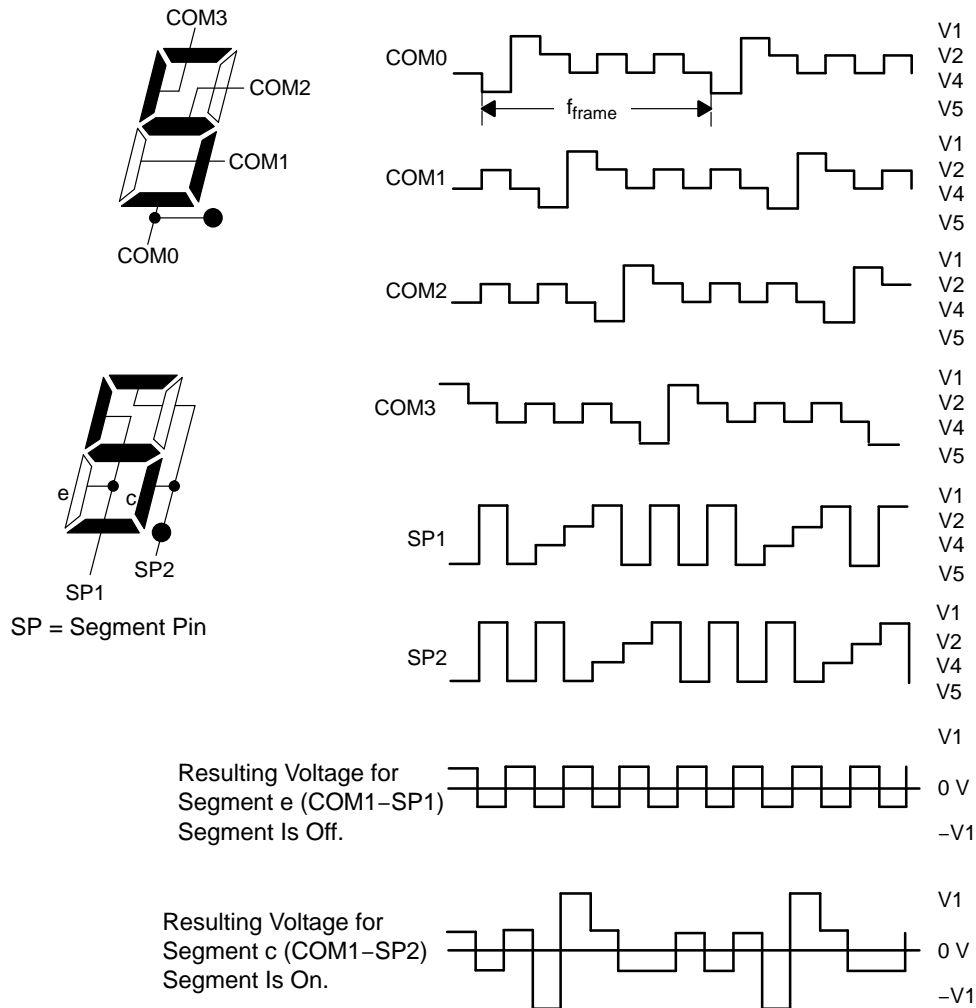
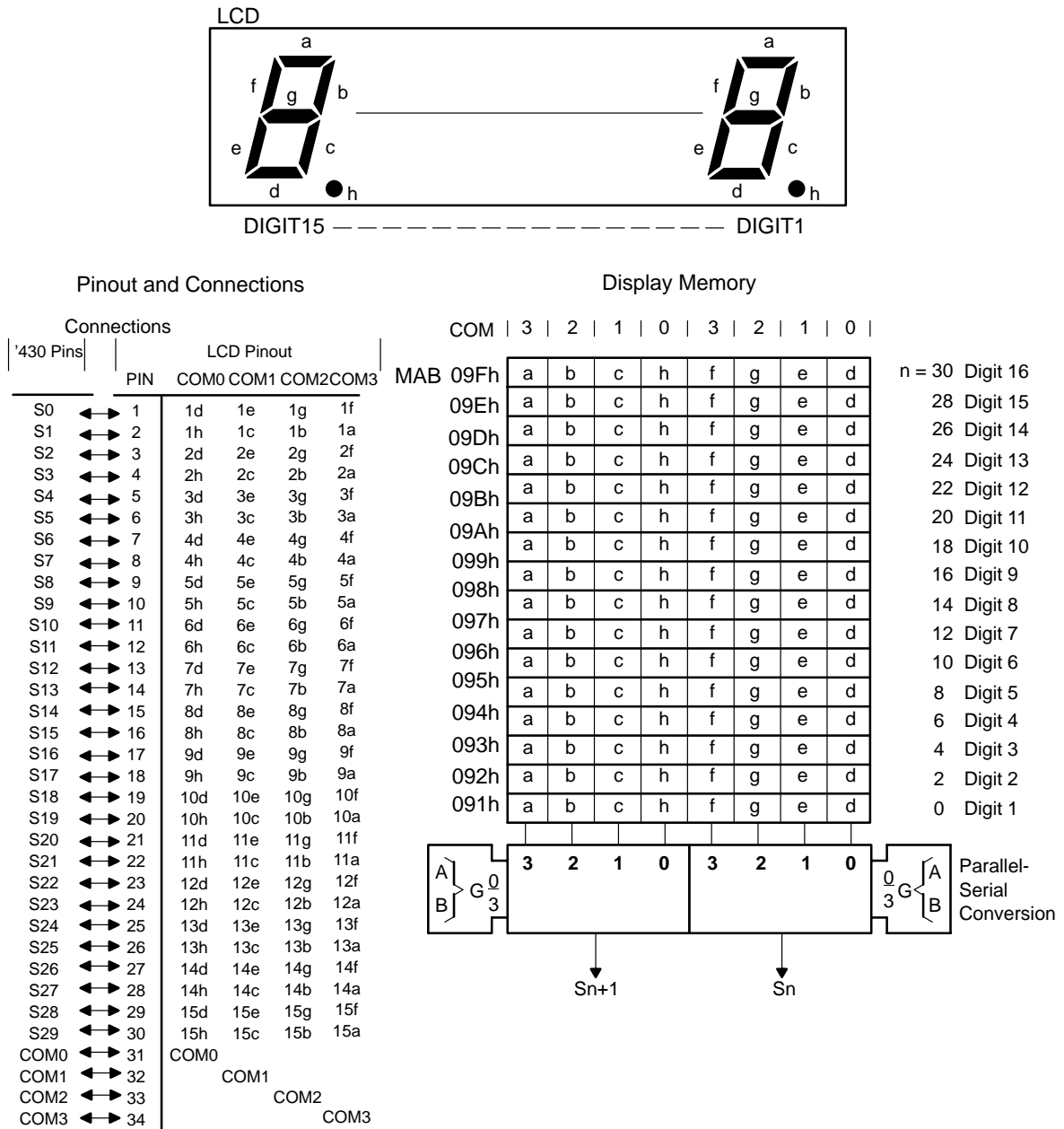


Figure 26–11 shows an example 4-mux LCD, pinout, LCD-to-MSP430 connections, and the resulting segment mapping. This is only an example. Segment mapping in a user’s application depends on the LCD pinout and on the MSP430-to-LCD connections.

Figure 26– 11. 4-Mux LCD Example



4-Mux Mode Software Example

```

; The 4mux rate supports eight segments for each digit.
; All eight segments of a digit can often be located in
; one display memory byte
a    EQU    080h
b    EQU    040h
c    EQU    020h
d    EQU    001h
e    EQU    002h
f    EQU    008h
g    EQU    004h
h    EQU    010h
;
; The LSDigit of register Rx should be displayed.
; The Table represents the 'on'-segments according to the
; content of Rx.
;
      MOV.B Table(Rx),&LCDn ; n = 1 ..... 15
                                ; all eight segments are
                                ; written to the display
                                ; memory
      .....
      .....

Table DB    a+b+c+d+e+f    ; displays "0"
      DB    b+c            ; displays "1"
      .....
      .....
      DB    b+c+d+e+g      ; displays "d"
      DB    a+d+e+f+g      ; displays "E"
      DB    a+e+f+g        ; displays "F"

```

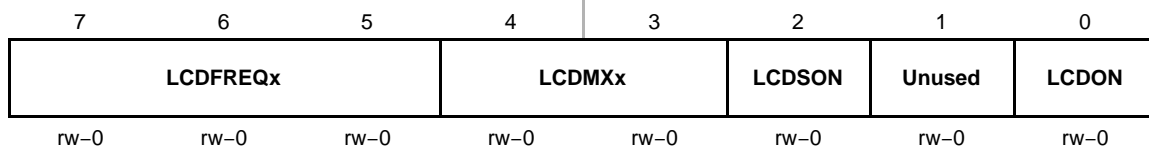
26.3 LCD Controller Registers

The LCD Controller registers are listed in Table 26–2.

Table 26–2. LCD Controller Registers

Register	Short Form	Register Type	Address	Initial State
LCD_A control register	LCDACTL	Read/write	090h	Reset with PUC
LCD memory 1	LCDM1	Read/write	091h	Unchanged
LCD memory 2	LCDM2	Read/write	092h	Unchanged
LCD memory 3	LCDM3	Read/write	093h	Unchanged
LCD memory 4	LCDM4	Read/write	094h	Unchanged
LCD memory 5	LCDM5	Read/write	095h	Unchanged
LCD memory 6	LCDM6	Read/write	096h	Unchanged
LCD memory 7	LCDM7	Read/write	097h	Unchanged
LCD memory 8	LCDM8	Read/write	098h	Unchanged
LCD memory 9	LCDM9	Read/write	099h	Unchanged
LCD memory 10	LCDM10	Read/write	09Ah	Unchanged
LCD memory 11	LCDM11	Read/write	09Bh	Unchanged
LCD memory 12	LCDM12	Read/write	09Ch	Unchanged
LCD memory 13	LCDM13	Read/write	09Dh	Unchanged
LCD memory 14	LCDM14	Read/write	09Eh	Unchanged
LCD memory 15	LCDM15	Read/write	09Fh	Unchanged
LCD memory 16	LCDM16	Read/write	0A0h	Unchanged
LCD memory 17	LCDM17	Read/write	0A1h	Unchanged
LCD memory 18	LCDM18	Read/write	0A2h	Unchanged
LCD memory 19	LCDM19	Read/write	0A3h	Unchanged
LCD memory 20	LCDM20	Read/write	0A4h	Unchanged
LCD_A port control 0	LCDAPCTL0	Read/write	0ACh	Reset with PUC
LCD_A port control 1	LCDAPCTL1	Read/write	0ADh	Reset with PUC
LCD_A voltage control 0	LCDVAVCTL0	Read/write	0AEh	Reset with PUC
LCD_A voltage control 1	LCDVAVCTL1	Read/write	0AFh	Reset with PUC

LCDACTL, LCD_A Control Register



LCDFREQx	Bits 7-5	LCD frequency select. These bits select the ACLK divider for the LCD frequency. 000 Divide by 32 001 Divide by 64 010 Divide by 96 011 Divide by 128 100 Divide by 192 101 Divide by 256 110 Divide by 384 111 Divide by 512
LCDMXx	Bits 4-3	LCD mux rate. These bits select the LCD mode. 00 Static 01 2-mux 10 3-mux 11 4-mux
LCDSON	Bit 2	LCD segments on. This bit supports flashing LCD applications by turning off all segment lines, while leaving the LCD timing generator and R33 enabled. 0 All LCD segments are off 1 All LCD segments are enabled and on or off according to their corresponding memory location.
Unused	Bit 1	Unused
LCDON	Bit 0	LCD On. This bit turns on the LCD_A module. 0 LCD_A module off. 1 LCD_A module on.

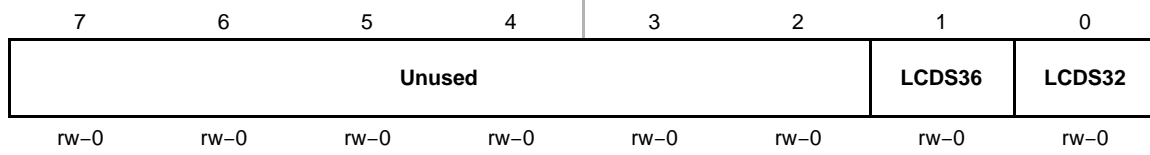
LCDAPCTL0, LCD_A Port Control Register 0

7	6	5	4	3	2	1	0
LCDS28	LCDS24	LCDS20	LCDS16	LCDS12	LCDS8	LCDS4	LCDS0†
rw-0	rw-0	rw-0	rw-0	rw-0	rw-0	rw-0	rw-0

† Segments S0–S3 on the MSP430FG461x devices are disabled from LCD functionality when charge pump is enabled.

LCDS28	Bit 7	LCD segment 28 to 31 enable This bit only affects pins with multiplexed functions. Dedicated LCD pins are always LCD function. 0 Multiplexed pins are port functions. 1 Pins are LCD functions
LCDS24	Bit 6	LCD segment 24 to 27 enable This bit only affects pins with multiplexed functions. Dedicated LCD pins are always LCD function. 0 Multiplexed pins are port functions. 1 Pins are LCD functions
LCDS20	Bit 5	LCD segment 20 to 23 enable This bit only affects pins with multiplexed functions. Dedicated LCD pins are always LCD function. 0 Multiplexed pins are port functions. 1 Pins are LCD functions
LCDS16	Bit 4	LCD segment 16 to 19 enable This bit only affects pins with multiplexed functions. Dedicated LCD pins are always LCD function. 0 Multiplexed pins are port functions. 1 Pins are LCD functions
LCDS12	Bit 3	LCD segment 12 to 15 enable This bit only affects pins with multiplexed functions. Dedicated LCD pins are always LCD function. 0 Multiplexed pins are port functions. 1 Pins are LCD functions
LCDS8	Bit 2	LCD segment 8 to 11 enable This bit only affects pins with multiplexed functions. Dedicated LCD pins are always LCD function. 0 Multiplexed pins are port functions. 1 Pins are LCD functions
LCDS4	Bit 1	LCD segment 4 to 7 enable This bit only affects pins with multiplexed functions. Dedicated LCD pins are always LCD function. 0 Multiplexed pins are port functions. 1 Pins are LCD functions
LCDS0	Bit 0	LCD segment 0 to 3 enable This bit only affects pins with multiplexed functions. Dedicated LCD pins are always LCD function. 0 Multiplexed pins are port functions. 1 Pins are LCD functions

LCDAPCTL1, LCD_A Port Control Register 1



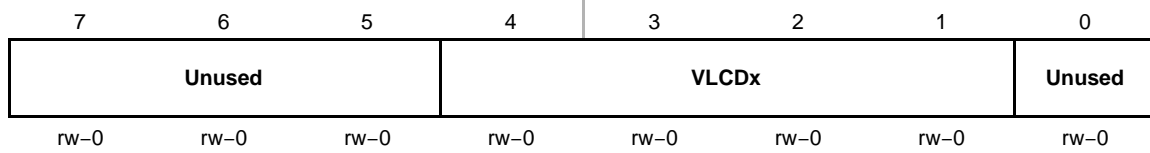
Unused	Bits 7-2	Unused
LCDS36	Bit 1	LCD segment 36 to 39 enable This bit only affects pins with multiplexed functions. Dedicated LCD pins are always LCD function. 0 Multiplexed pins are port functions. 1 Pins are LCD functions
LCDS32	Bit 0	LCD segment 32 to 35 enable This bit only affects pins with multiplexed functions. Dedicated LCD pins are always LCD function. 0 Multiplexed pins are port functions. 1 Pins are LCD functions

LCDAVCTL0, LCD_A Voltage Control Register 0

7	6	5	4	3	2	1	0
Unused	R03EXT	REXT	VLCDEXT	LCDCPEN	VLCDDREFx		LCD2B
rw-0	rw-0	rw-0	rw-0	rw-0	rw-0	rw-0	rw-0

Unused	Bit 7	Unused
R03EXT	Bit 6	V5 voltage select. This bit selects the external connection for the lowest LCD voltage. R03EXT is ignored if there is no R03 pin available. 0 V5 is AV _{SS} 1 V5 is sourced from the R03 pin
REXT	Bit 5	V2 – V4 voltage select. This bit selects the external connections for voltages V2 – V4. 0 V2 – V4 are generated internally 1 V2 – V4 are sourced externally and the internal bias generator is switched off
VLCDEXT	Bit 4	V _{LCD} source select 0 V _{LCD} is generated internally 1 V _{LCD} is sourced externally
LCDCPEN	Bit 3	Charge pump enable. 0 Charge pump disabled. 1 Charge pump enabled when V _{LCD} is generated internally (VLCDEXT = 0) and VLCDx > 0 or VLCDDREFx > 0.
VLCDDREFx	Bits 2–1	Charge pump reference select 00 Internal 01 External 10 Reserved 11 Reserved
LCD2B	Bit 0	Bias select. LCD2B is ignored when LCDMx = 00. 0 1/3 bias 1 1/2 bias

LCDAVCTL1, LCD_A Voltage Control Register 1



Unused	Bits 7-5	Unused
VLCDx	Bits 4-1	Charge pump voltage select. LCDCPEN must be 1 for the charge pump to be enabled. AV _{CC} is used for V _{LCD} when VLCDx = 0000 and VREFx = 00 and VLCDEXT = 0. 0000 Charge pump disabled 0001 V _{LCD} = 2.60 V 0010 V _{LCD} = 2.66 V 0011 V _{LCD} = 2.72 V 0100 V _{LCD} = 2.78 V 0101 V _{LCD} = 2.84 V 0110 V _{LCD} = 2.90 V 0111 V _{LCD} = 2.96 V 1000 V _{LCD} = 3.02 V 1001 V _{LCD} = 3.08 V 1010 V _{LCD} = 3.14 V 1011 V _{LCD} = 3.20 V 1100 V _{LCD} = 3.26 V 1101 V _{LCD} = 3.32 V 1110 V _{LCD} = 3.38 V 1111 V _{LCD} = 3.44 V
Unused	Bit 0	Unused

ADC10

The ADC10 module is a high-performance 10-bit analog-to-digital converter. This chapter describes the operation of the ADC10 module of the 4xx family. The ADC10 is implemented on the MSP4340F41x2 devices.

Topic	Page
16.1 ADC10 Introduction	16-2
16.2 ADC10 Operation	16-4
16.3 ADC10 Registers	16-24

27.1 ADC10 Introduction

The ADC10 module supports fast, 10-bit analog-to-digital conversions. The module implements a 10-bit SAR core, sample select control, reference generator, and data transfer controller (DTC).

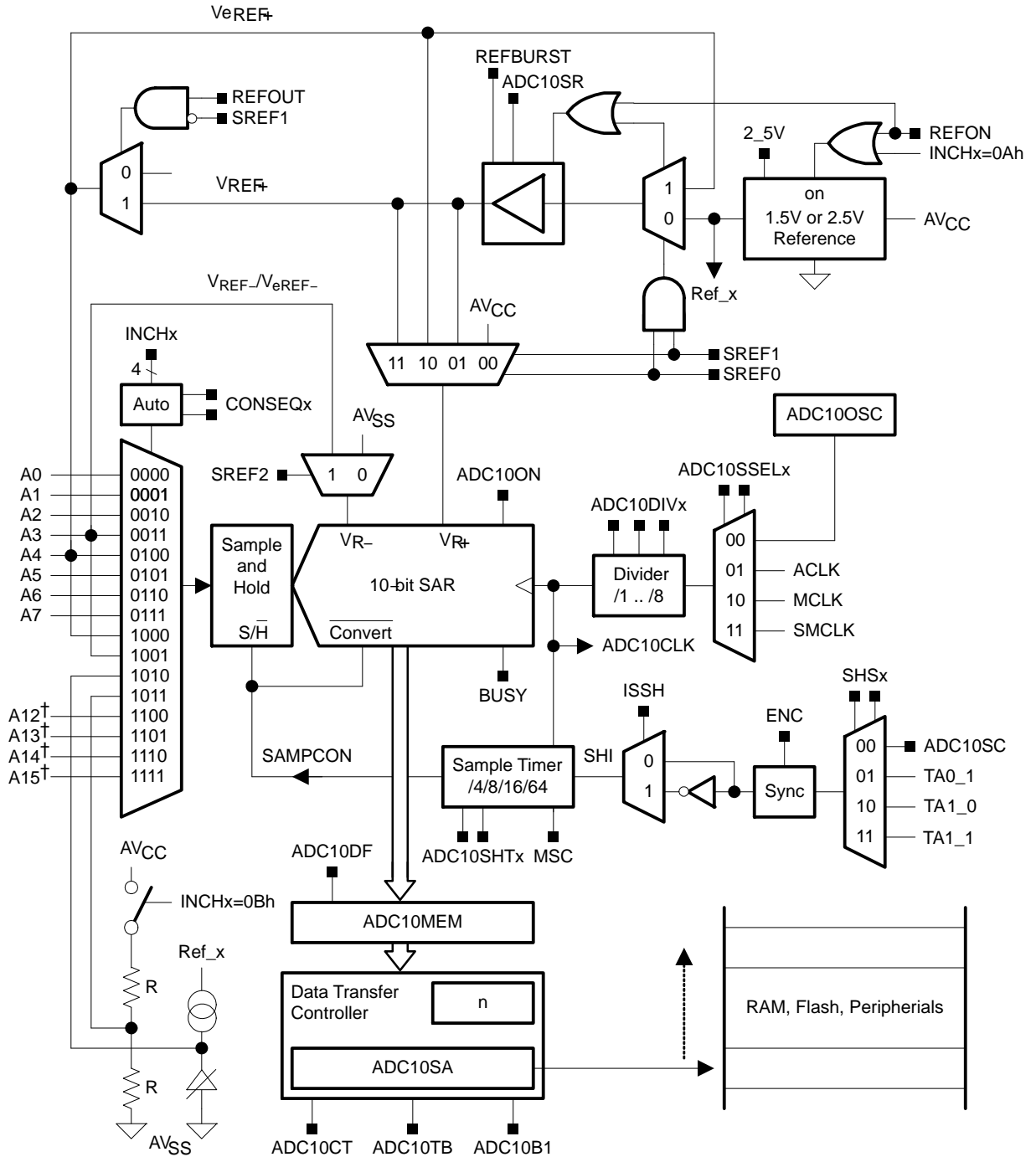
The DTC allows ADC10 samples to be converted and stored anywhere in memory without CPU intervention. The module can be configured with user software to support a variety of applications.

ADC10 features include:

- Greater than 200 ksps maximum conversion rate
- Monotonic 10-bit converter with no missing codes
- Sample-and-hold with programmable sample periods
- Conversion initiation by software or Timer_A
- Software selectable on-chip reference voltage generation (1.5 V or 2.5 V)
- Software selectable internal or external reference
- Up to twelve external input channels
- Conversion channels for internal temperature sensor, V_{CC} , and external references
- Selectable conversion clock source
- Single-channel, repeated single-channel, sequence, and repeated sequence conversion modes
- ADC core and reference voltage can be powered down separately
- Data transfer controller for automatic storage of conversion results

The block diagram of ADC10 is shown in Figure 27–1.

Figure 27–1. ADC10 Block Diagram



†Not all devices support all channels. See the devices specific datasheet for details.

27.2 ADC10 Operation

The ADC10 module is configured with user software. The setup and operation of the ADC10 is discussed in the following sections.

27.2.1 10-Bit ADC Core

The ADC core converts an analog input to its 10-bit digital representation and stores the result in the ADC10MEM register. The core uses two programmable/selectable voltage levels (V_{R+} and V_{R-}) to define the upper and lower limits of the conversion. The digital output (N_{ADC}) is full scale (03FFh) when the input signal is equal to or higher than V_{R+} , and zero when the input signal is equal to or lower than V_{R-} . The input channel and the reference voltage levels (V_{R+} and V_{R-}) are defined in the conversion-control memory. Conversion results may be in straight binary format or 2s-complement format. The conversion formula for the ADC result when using straight binary format is:

$$N_{ADC} = 1023 \times \frac{V_{in} - V_{R-}}{V_{R+} - V_{R-}}$$

The ADC10 core is configured by two control registers, ADC10CTL0 and ADC10CTL1. The core is enabled with the ADC10ON bit. With few exceptions the ADC10 control bits can only be modified when ENC = 0. ENC must be set to 1 before any conversion can take place.

Conversion Clock Selection

The ADC10CLK is used both as the conversion clock and to generate the sampling period. The ADC10 source clock is selected using the ADC10SSELx bits and can be divided from 1-8 using the ADC10DIVx bits. Possible ADC10CLK sources are SMCLK, MCLK, ACLK and an internal oscillator ADC10OSC .

The ADC10OSC, generated internally, is in the 5-MHz range, but varies with individual devices, supply voltage, and temperature. See the device-specific datasheet for the ADC10OSC specification.

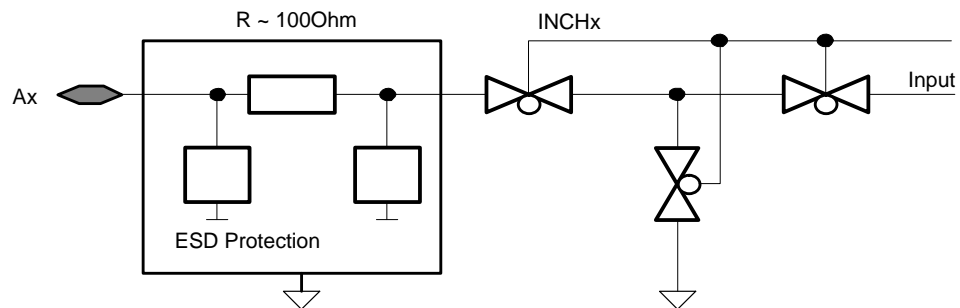
The user must ensure that the clock chosen for ADC10CLK remains active until the end of a conversion. If the clock is removed during a conversion, the operation will not complete, and any result will be invalid.

27.2.2 ADC10 Inputs and Multiplexer

The eight external and four internal analog signals are selected as the channel for conversion by the analog input multiplexer. The input multiplexer is a break-before-make type to reduce input-to-input noise injection resulting from channel switching as shown in Figure 27–2. The input multiplexer is also a T-switch to minimize the coupling between channels. Channels that are not selected are isolated from the A/D and the intermediate node is connected to analog ground (V_{SS}) so that the stray capacitance is grounded to help eliminate crosstalk.

The ADC10 uses the charge redistribution method. When the inputs are internally switched, the switching action may cause transients on the input signal. These transients decay and settle before causing errant conversion.

Figure 27–2. Analog Multiplexer



Analog Port Selection

The ADC10 external inputs A_x , V_{REF+} , and V_{REF-} share terminals with general purpose I/O ports, which are digital CMOS gates (see device-specific datasheet). When analog signals are applied to digital CMOS gates, parasitic current can flow from V_{CC} to GND. This parasitic current occurs if the input voltage is near the transition level of the gate. Disabling the port pin buffer eliminates the parasitic current flow and therefore reduces overall current consumption. The ADC10AEx bits provide the ability to disable the port pin input and output buffers.

```
; P7.5 on MSP430x41x2 device configured for analog input
    BIS.B #01h,&ADC10AE0 ; P7.5 ADC10 function and enable
```

27.2.3 Voltage Reference Generator

The ADC10 module contains a built-in voltage reference with two selectable voltage levels. Setting $REFON = 1$ enables the internal reference. When $REF2_5V = 1$, the internal reference is 2.5 V. When $REF2_5V = 0$, the reference is 1.5 V. The internal reference voltage may be used internally and, when $REFOUT = 0$, externally on pin V_{REF+} .

External references may be supplied for V_{R+} and V_{R-} through pins A4 and A3 respectively. When external references are used, or when V_{CC} is used as the reference, the internal reference may be turned off to save power.

An external positive reference V_{eREF+} can be buffered by setting $SREF0 = 1$ and $SREF1 = 1$. This allows using an external reference with a large internal resistance at the cost of the buffer current. When $REFBURST = 1$ the increased current consumption is limited to the sample and conversion period.

External storage capacitance is not required for the ADC10 reference source as on the ADC12.

Internal Reference Low-Power Features

The ADC10 internal reference generator is designed for low power applications. The reference generator includes a band-gap voltage source and a separate buffer. The current consumption of each is specified separately in the device-specific datasheet. When $REFON = 1$, both are enabled and when $REFON = 0$ both are disabled. The total settling time when $REFON$ becomes set is $\leq 30 \mu s$.

When $REFON = 1$, but no conversion is active, the buffer is automatically disabled and automatically re-enabled when needed. When the buffer is disabled, it consumes no current. In this case, the band-gap voltage source remains enabled.

When $REFOUT = 1$, the $REFBURST$ bit controls the operation of the internal reference buffer. When $REFBURST = 0$, the buffer will be on continuously, allowing the reference voltage to be present outside the device continuously. When $REFBURST = 1$, the buffer is automatically disabled when the ADC10 is not actively converting, and automatically re-enabled when needed.

The internal reference buffer also has selectable speed vs. power settings. When the maximum conversion rate is below 50 ksps, setting $ADC10SR = 1$ reduces the current consumption of the buffer approximately 50%.

27.2.4 Auto Power-Down

The ADC10 is designed for low power applications. When the ADC10 is not actively converting, the core is automatically disabled and automatically re-enabled when needed. The $ADC10OSC$ is also automatically enabled when needed and disabled when not needed. When the core or oscillator is disabled, it consumes no current.

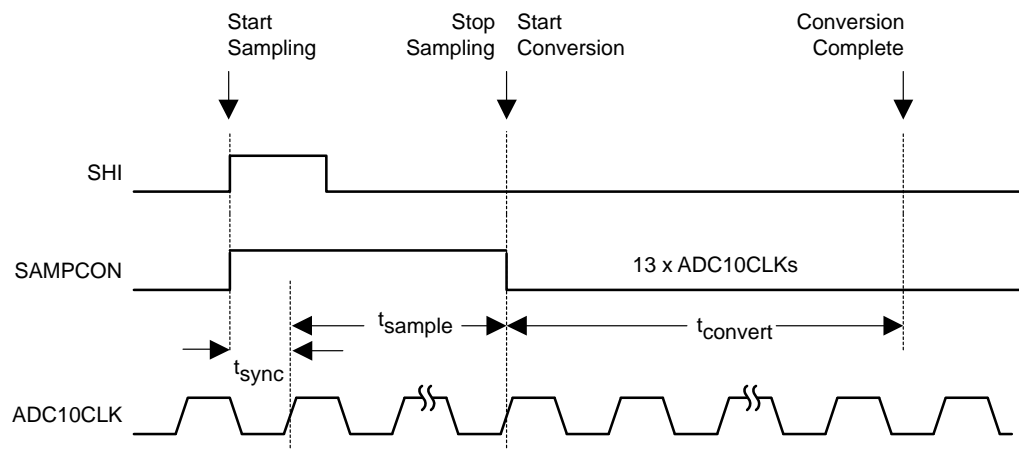
27.2.5 Sample and Conversion Timing

An analog-to-digital conversion is initiated with a rising edge of sample input signal SHI. The source for SHI is selected with the SHSx bits and includes the following for MSP430F41x2:

- The ADC10SC bit
- The Timer_A0 Output Unit 1
- The Timer_A1 Output Unit 0
- The Timer_A1 Output Unit 1

The polarity of the SHI signal source can be inverted with the ISSH bit. The SHTx bits select the sample period t_{sample} to be 4, 8, 16, or 64 ADC10CLK cycles. The sampling timer sets SAMPCON high for the selected sample period after synchronization with ADC10CLK. Total sampling time is t_{sample} plus t_{sync} . The high-to-low SAMPCON transition starts the analog-to-digital conversion, which requires 11 ADC10CLK cycles as shown in Figure 27–3.

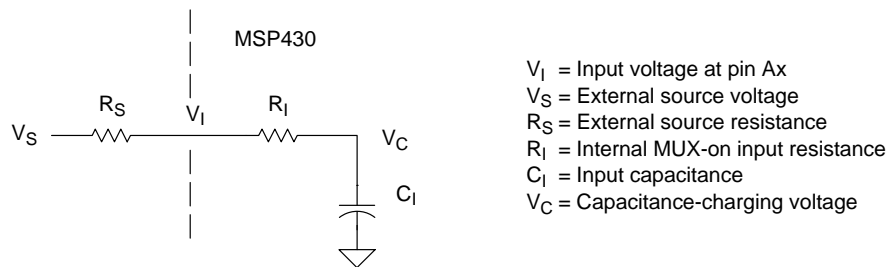
Figure 27–3. Sample Timing



Sample Timing Considerations

When SAMPCON = 0 all Ax inputs are high impedance. When SAMPCON = 1, the selected Ax input can be modeled as an RC low-pass filter during the sampling time t_{sample} , as shown below in Figure 27–4. An internal MUX-on input resistance R_1 (max. 2 k Ω) in series with capacitor C_1 (max. 27 pF) is seen by the source. The capacitor C_1 voltage V_C must be charged to within $\frac{1}{2}$ LSB of the source voltage V_S for an accurate 10-bit conversion.

Figure 27–4. Analog Input Equivalent Circuit



The resistance of the source R_S and R_I affect t_{sample} . The following equations can be used to calculate the minimum sampling time for a 10-bit conversion.

$$t_{\text{sample}} > (R_S + R_I) \times \ln(2^{11}) \times C_I$$

Substituting the values for R_I and C_I given above, the equation becomes:

$$t_{\text{sample}} > (R_S + 2k) \times 7.625 \times 27\text{pF}$$

For example, if R_S is 10 k Ω , t_{sample} must be greater than 2.47 μs .

When the reference buffer is used in burst mode, the sampling time must be greater than the sampling time calculated and the settling time of the buffer, t_{REFBURST} :

$$t_{\text{sample}} > \begin{cases} (R_S + R_I) \times \ln(2^{11}) \times C_I \\ t_{\text{REFBURST}} \end{cases}$$

For example, if V_{Ref} is 1.5 V and R_S is 10 k Ω , t_{sample} must be greater than 2.47 μs when $\text{ADC10SR} = 0$, or 2.5 μs when $\text{ADC10SR} = 1$. See the device-specific datasheet for parameters.

To calculate the buffer settling time when using an external reference, the formula is:

$$t_{\text{REFBURST}} = SR \times V_{\text{Ref}} - 0.5\mu\text{s}$$

Where:

- SR: Buffer slew rate
($\sim 1 \mu\text{s/V}$ when $\text{ADC10SR} = 0$ and $\sim 2 \mu\text{s/V}$ when $\text{ADC10SR} = 1$)
- Vref: External reference voltage

27.2.6 Conversion Modes

The ADC10 has four operating modes selected by the CONSEQx bits as discussed in Table 27–1.

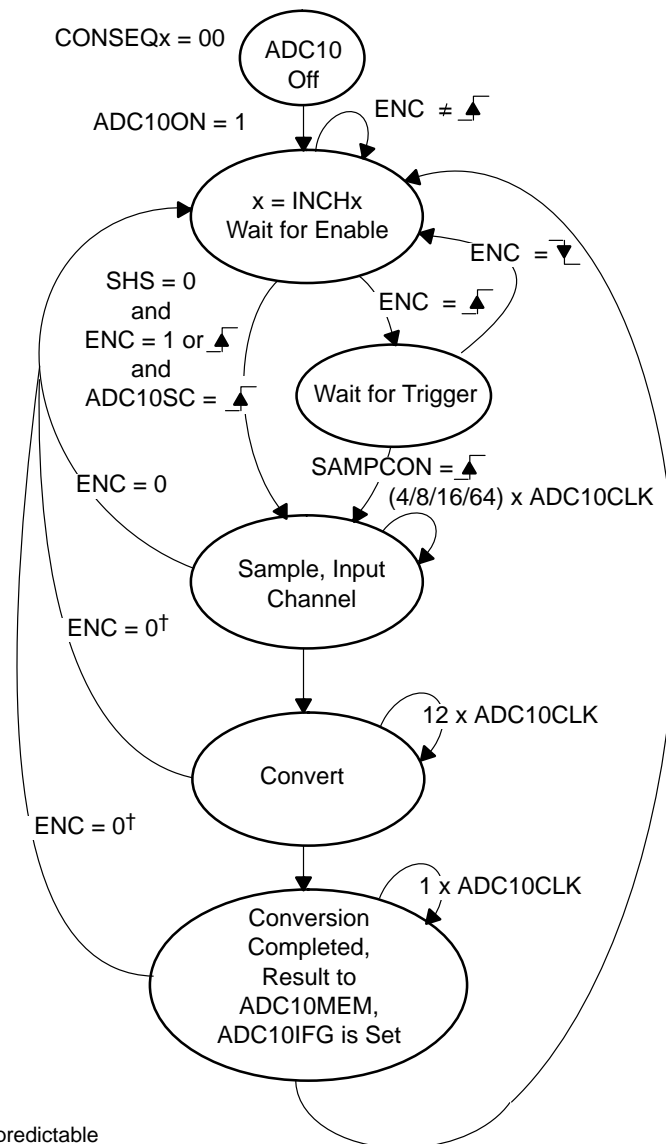
Table 27–1. Conversion Mode Summary

CONSEQx	Mode	Operation
00	Single channel single-conversion	A single channel is converted once.
01	Sequence-of-channels	A sequence of channels is converted once.
10	Repeat single channel	A single channel is converted repeatedly.
11	Repeat sequence-of-channels	A sequence of channels is converted repeatedly.

Single-Channel Single-Conversion Mode

A single channel selected by INCHx is sampled and converted once. The ADC result is written to ADC10MEM. Figure 27–5 shows the flow of the single-channel, single-conversion mode. When ADC10SC triggers a conversion, successive conversions can be triggered by the ADC10SC bit. When any other trigger source is used, ENC must be toggled between each conversion.

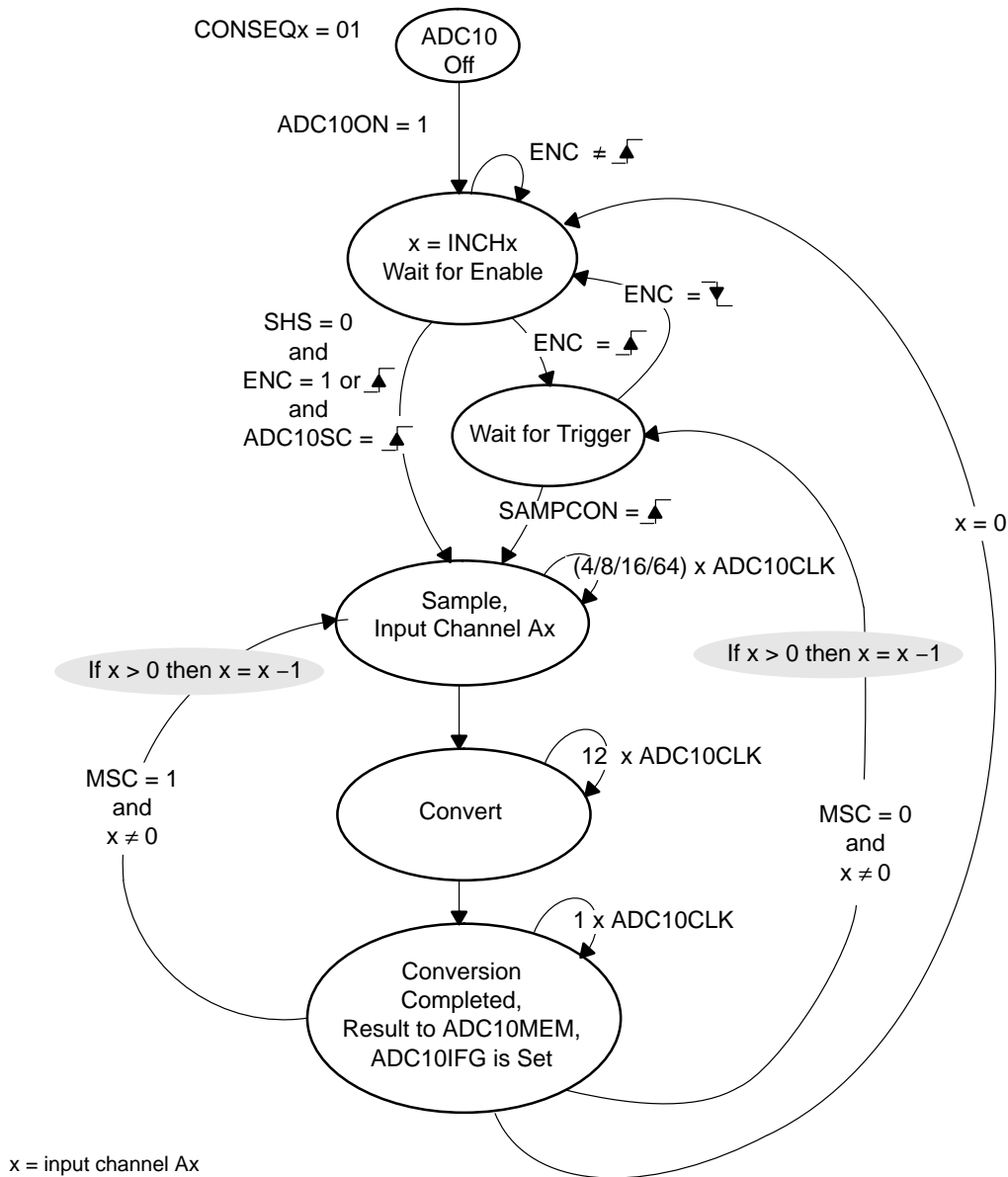
Figure 27–5. Single-Channel Single-Conversion Mode



Sequence-of-Channels Mode

A sequence of channels is sampled and converted once. The sequence begins with the channel selected by INCHx and decrements to channel A0. Each ADC result is written to ADC10MEM. The sequence stops after conversion of channel A0. Figure 27–6 shows the sequence-of-channels mode. When ADC10SC triggers a sequence, successive sequences can be triggered by the ADC10SC bit. When any other trigger source is used, ENC must be toggled between each sequence.

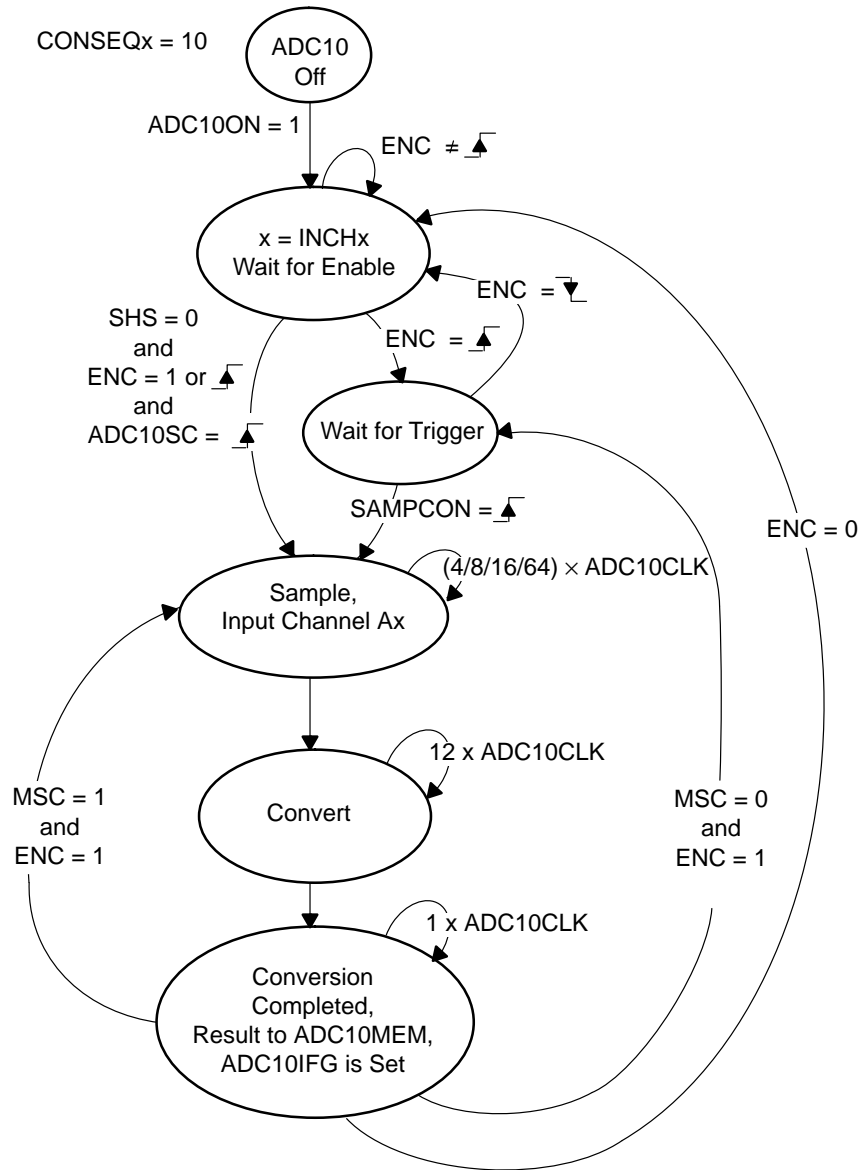
Figure 27–6. Sequence-of-Channels Mode



Repeat-Single-Channel Mode

A single channel selected by INCHx is sampled and converted continuously. Each ADC result is written to ADC10MEM. Figure 27-7 shows the repeat-single-channel mode.

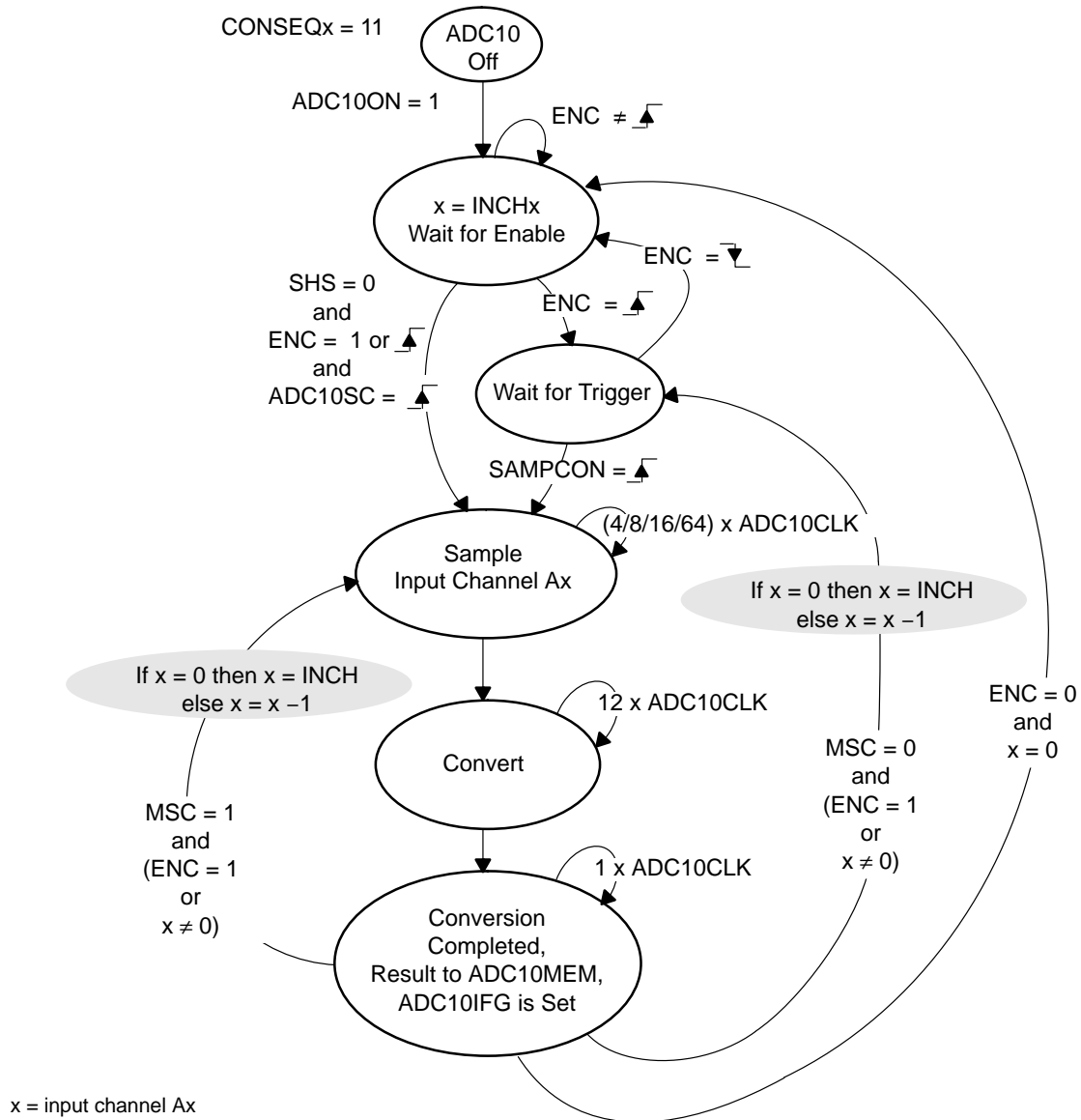
Figure 27-7. Repeat-Single-Channel Mode



Repeat-Sequence-of-Channels Mode

A sequence of channels is sampled and converted repeatedly. The sequence begins with the channel selected by INCHx and decrements to channel A0. Each ADC result is written to ADC10MEM. The sequence ends after conversion of channel A0, and the next trigger signal re-starts the sequence. Figure 27-8 shows the repeat-sequence-of-channels mode.

Figure 27-8. Repeat-Sequence-of-Channels Mode



Using the MSC Bit

To configure the converter to perform successive conversions automatically and as quickly as possible, a multiple sample and convert function is available. When $MSC = 1$ and $CONSEQx > 0$ the first rising edge of the SHI signal triggers the first conversion. Successive conversions are triggered automatically as soon as the prior conversion is completed. Additional rising edges on SHI are ignored until the sequence is completed in the single-sequence mode or until the ENC bit is toggled in repeat-single-channel, or repeated-sequence modes. The function of the ENC bit is unchanged when using the MSC bit.

Stopping Conversions

Stopping ADC10 activity depends on the mode of operation. The recommended ways to stop an active conversion or conversion sequence are:

- Resetting ENC in single-channel single-conversion mode stops a conversion immediately and the results are unpredictable. For correct results, poll the ADC10BUSY bit until reset before clearing ENC.
- Resetting ENC during repeat-single-channel operation stops the converter at the end of the current conversion.
- Resetting ENC during a sequence or repeat sequence mode stops the converter at the end of the sequence.
- Any conversion mode may be stopped immediately by setting the $CONSEQx=0$ and resetting the ENC bit. Conversion data is unreliable.

27.2.7 ADC10 Data Transfer Controller

The ADC10 includes a data transfer controller (DTC) to automatically transfer conversion results from ADC10MEM to other on-chip memory locations. The DTC is enabled by setting the ADC10DTC1 register to a nonzero value.

When the DTC is enabled, each time the ADC10 completes a conversion and loads the result to ADC10MEM, a data transfer is triggered. No software intervention is required to manage the ADC10 until the predefined amount of conversion data has been transferred. Each DTC transfer requires one CPU MCLK. To avoid any bus contention during the DTC transfer, the CPU is halted, if active, for the one MCLK required for the transfer.

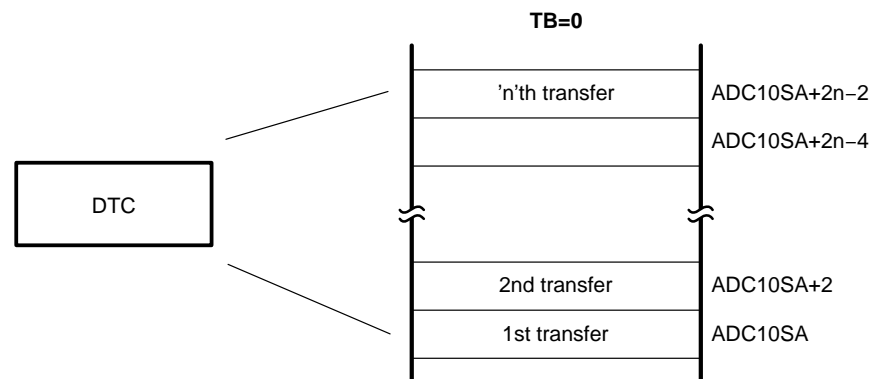
A DTC transfer must not be initiated while the ADC10 is busy. Software must ensure that no active conversion or sequence is in progress when the DTC is configured:

```
; ADC10 activity test
    BIC.W #ENC,&ADC10CTL0 ;
busy_test BIT.W #BUSY,&ADC10CTL1;
    JNZ    busy_test      ;
    MOV.W #xxx,&ADC10SA   ; Safe
    MOV.B #xx,&ADC10DTC1 ;
; continue setup
```

One-Block Transfer Mode

The one-block mode is selected if the ADC10TB is reset. The value n in ADC10DTC1 defines the total number of transfers for a block. The block start address is defined anywhere in the MSP430 address range using the 16-bit register ADC10SA. The block ends at $ADC10SA+2n-2$. The one-block transfer mode is shown in Figure 27-9.

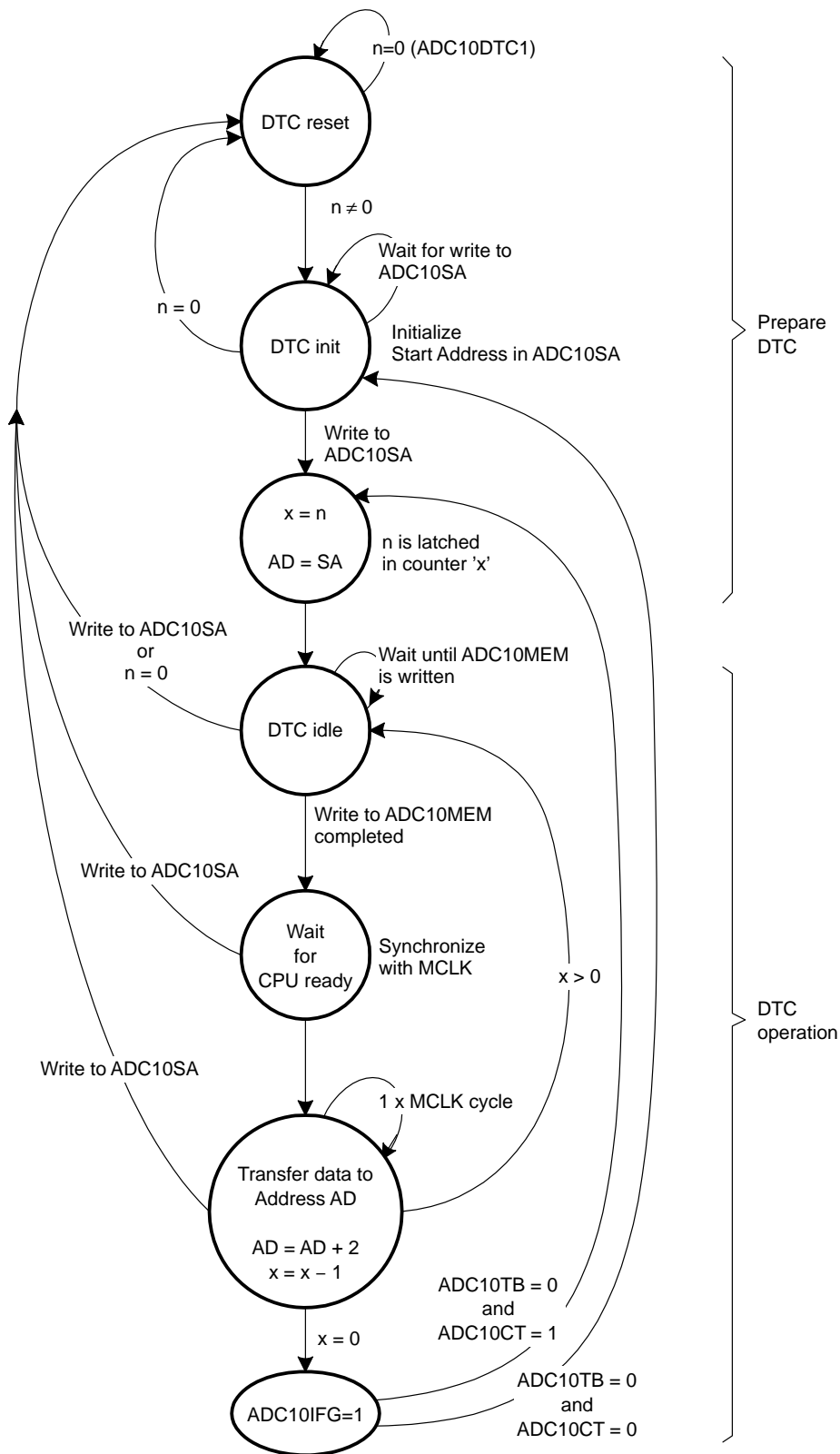
Figure 27-9. One-Block Transfer



The internal address pointer is initially equal to $ADC10SA$ and the internal transfer counter is initially equal to ' n '. The internal pointer and counter are not visible to software. The DTC transfers the word-value of $ADC10MEM$ to the address pointer $ADC10SA$. After each DTC transfer, the internal address pointer is incremented by two and the internal transfer counter is decremented by one.

The DTC transfers continue with each loading of $ADC10MEM$, until the internal transfer counter becomes equal to zero. No additional DTC transfers will occur until a write to $ADC10SA$. When using the DTC in the one-block mode, the $ADC10IFG$ flag is set only after a complete block has been transferred. Figure 27-10 shows a state diagram of the one-block mode.

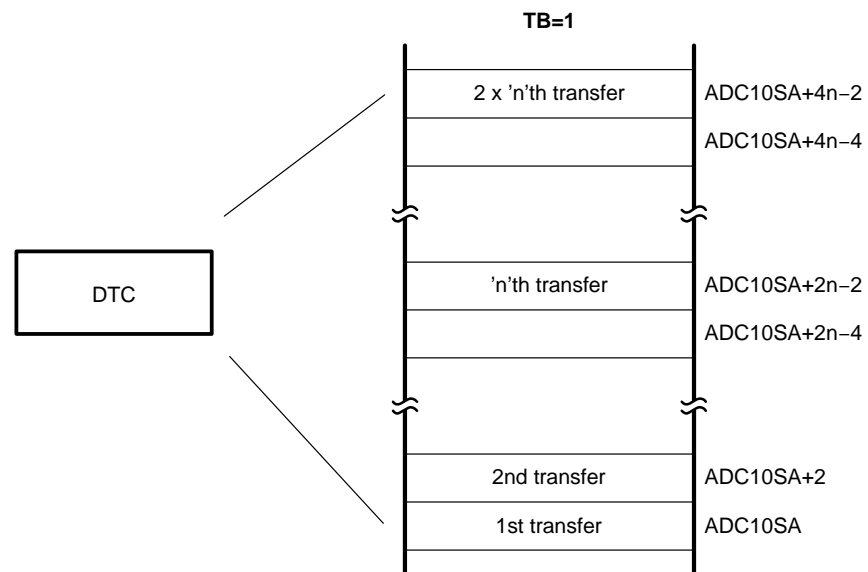
Figure 27–10. State Diagram for Data Transfer Control in One-Block Transfer Mode



Two-Block Transfer Mode

The two-block mode is selected if the ADC10TB bit is set. The value n in ADC10DTC1 defines the number of transfers for one block. The address range of the first block is defined anywhere in the MSP430 address range with the 16-bit register ADC10SA. The first block ends at $ADC10SA+2n-2$. The address range for the second block is defined as $SA+2n$ to $SA+4n-2$. The two-block transfer mode is shown in Figure 27–11.

Figure 27–11. Two-Block Transfer

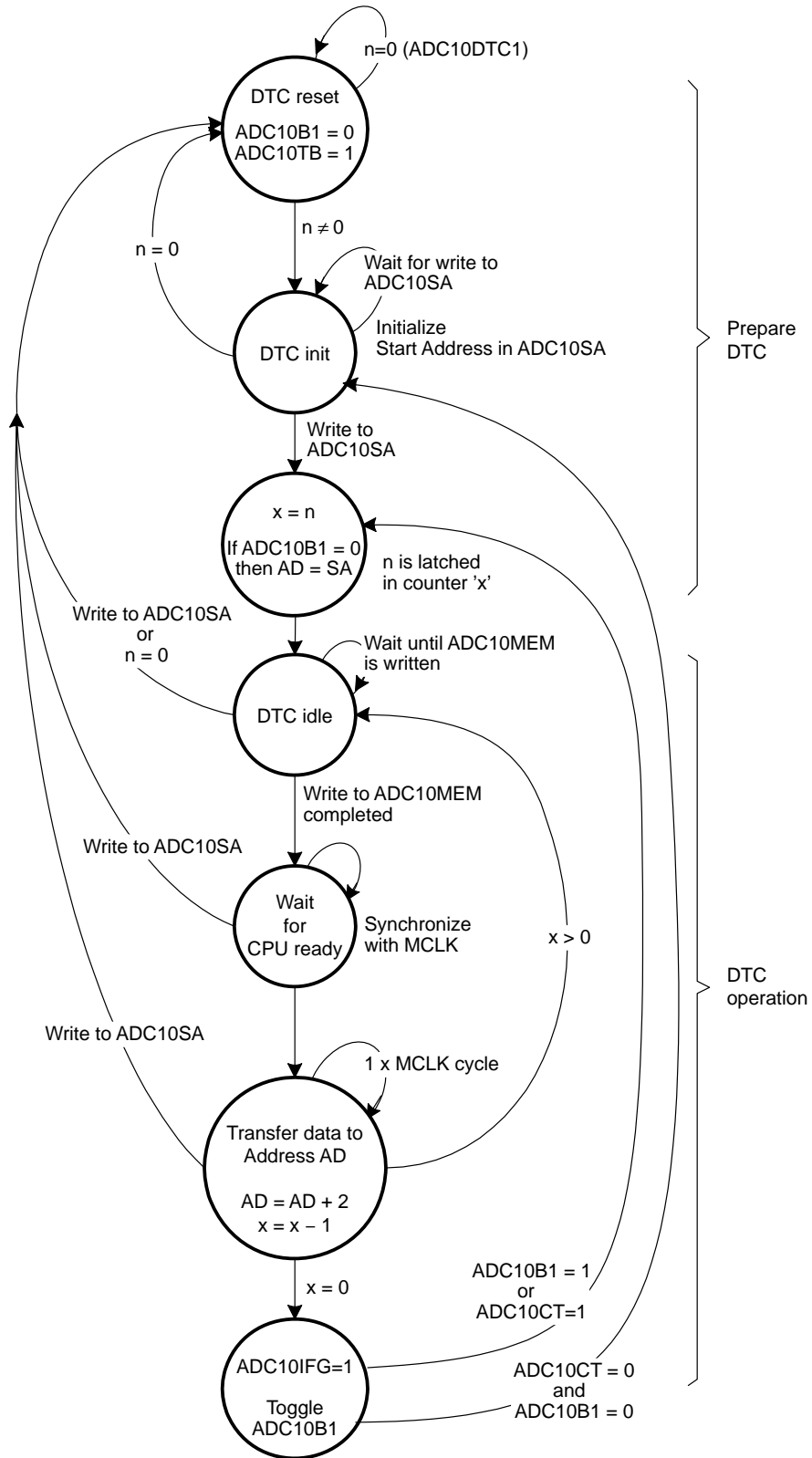


The internal address pointer is initially equal to $ADC10SA$ and the internal transfer counter is initially equal to ' n '. The internal pointer and counter are not visible to software. The DTC transfers the word-value of $ADC10MEM$ to the address pointer $ADC10SA$. After each DTC transfer the internal address pointer is incremented by two and the internal transfer counter is decremented by one.

The DTC transfers continue, with each loading of $ADC10MEM$, until the internal transfer counter becomes equal to zero. At this point, block one is full and both the $ADC10IFG$ flag the $ADC10B1$ bit are set. The user can test the $ADC10B1$ bit to determine that block one is full.

The DTC continues with block two. The internal transfer counter is automatically reloaded with ' n '. At the next load of the $ADC10MEM$, the DTC begins transferring conversion results to block two. After n transfers have completed, block two is full. The $ADC10IFG$ flag is set and the $ADC10B1$ bit is cleared. User software can test the cleared $ADC10B1$ bit to determine that block two is full. Figure 27–12 shows a state diagram of the two-block mode.

Figure 27–12. State Diagram for Data Transfer Control in Two-Block Transfer Mode



Continuous Transfer

A continuous transfer is selected if ADC10CT bit is set. The DTC will not stop after block one in (one-block mode) or block two (two-block mode) has been transferred. The internal address pointer and transfer counter are set equal to ADC10SA and n respectively. Transfers continue starting in block one. If the ADC10CT bit is reset, DTC transfers cease after the current completion of transfers into block one (in the one-block mode) or block two (in the two-block mode) have been transfer.

DTC Transfer Cycle Time

For each ADC10MEM transfer, the DTC requires one or two MCLK clock cycles to synchronize, one for the actual transfer (while the CPU is halted), and one cycle of wait time. Because the DTC uses MCLK, the DTC cycle time is dependent on the MSP430 operating mode and clock system setup.

If the MCLK source is active, but the CPU is off, the DTC uses the MCLK source for each transfer, without re-enabling the CPU. If the MCLK source is off, the DTC temporarily restarts MCLK, sourced with DCOCLK, only during a transfer. The CPU remains off and after the DTC transfer, MCLK is again turned off. The maximum DTC cycle time for all operating modes is show in Table 27–2.

Table 27–2. Maximum DTC Cycle Time

CPU Operating Mode	Clock Source	Maximum DTC Cycle Time
Active mode	MCLK=DCOCLK	3 MCLK cycles
Active mode	MCLK=LFXT1CLK	3 MCLK cycles
Low-power mode LPM0/1	MCLK=DCOCLK	4 MCLK cycles
Low-power mode LPM3/4	MCLK=DCOCLK	4 MCLK cycles + 2 μ s [†]
Low-power mode LPM0/1	MCLK=LFXT1CLK	4 MCLK cycles
Low-power mode LPM3	MCLK=LFXT1CLK	4 MCLK cycles
Low-power mode LPM4	MCLK=LFXT1CLK	4 MCLK cycles + 2 μ s [†]

[†] The additional 2 μ s are needed to start the DCOCLK. See device-datasheet for parameters.

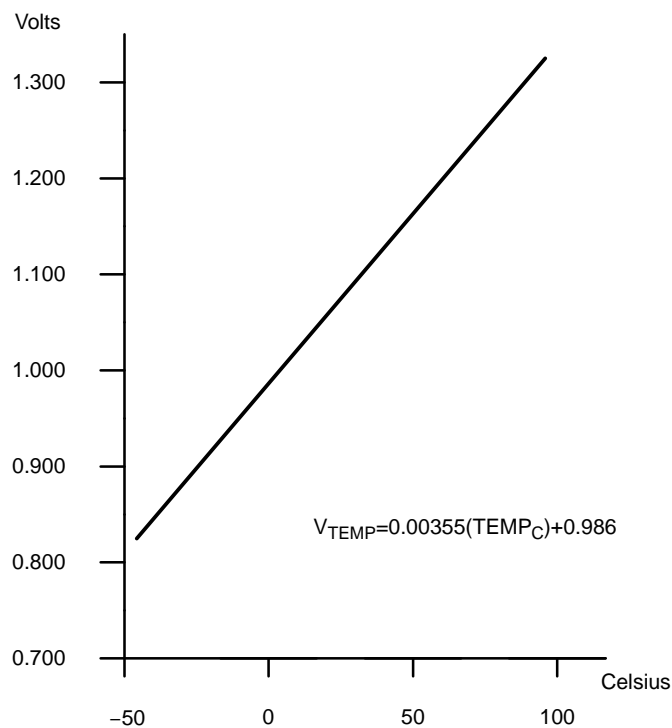
27.2.8 Using the Integrated Temperature Sensor

To use the on-chip temperature sensor, the user selects the analog input channel $INCHx = 1010$. Any other configuration is done as if an external channel was selected, including reference selection, conversion-memory selection, etc.

The typical temperature sensor transfer function is shown in Figure 27–13. When using the temperature sensor, the sample period must be greater than $30 \mu\text{s}$. The temperature sensor offset error is large. Deriving absolute temperature values in the application requires calibration. See the device-specific datasheet for the parameters.

Selecting the temperature sensor automatically turns on the on-chip reference generator as a voltage source for the temperature sensor. However, it does not enable the V_{REF+} output or affect the reference selections for the conversion. The reference choices for converting the temperature sensor are the same as with any other channel.

Figure 27–13. Typical Temperature Sensor Transfer Function



27.2.9 ADC10 Grounding and Noise Considerations

As with any high-resolution ADC, appropriate printed-circuit-board layout and grounding techniques should be followed to eliminate ground loops, unwanted parasitic effects, and noise.

Ground loops are formed when return current from the A/D flows through paths that are common with other analog or digital circuitry. If care is not taken, this current can generate small, unwanted offset voltages that can add to or subtract from the reference or input voltages of the A/D converter. The connections shown in Figure 27-14 help avoid this.

In addition to grounding, ripple and noise spikes on the power supply lines due to digital switching or switching power supplies can corrupt the conversion result. A noise-free design is important to achieve high accuracy.

Figure 27-14. ADC10 Grounding and Noise Considerations (internal Vref).

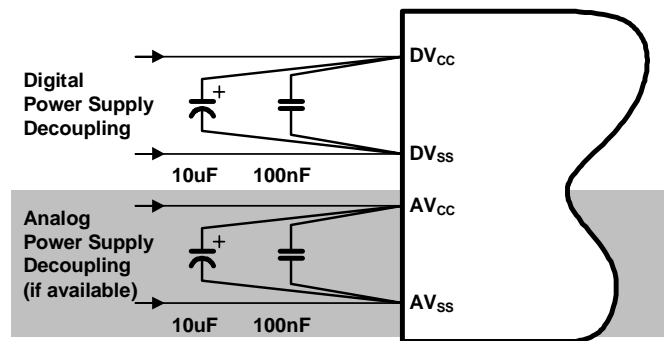
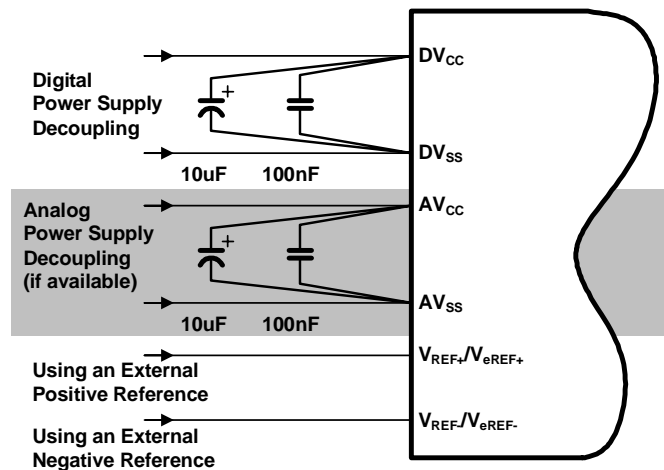


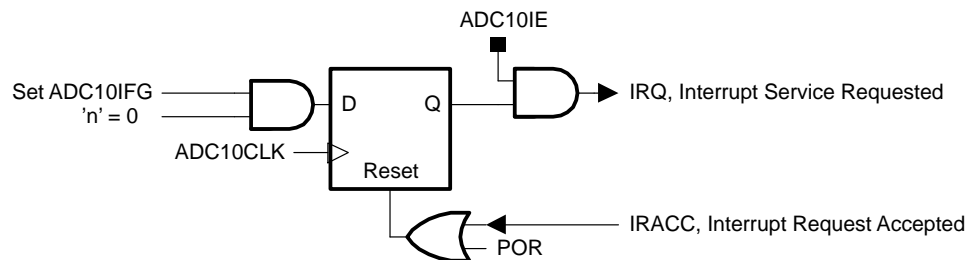
Figure 27-15. ADC10 Grounding and Noise Considerations (external Vref).



27.2.10 ADC10 Interrupts

One interrupt and one interrupt vector are associated with the ADC10 as shown in Figure 27–16. When the DTC is not used ($ADC10DTC1 = 0$) $ADC10IFG$ is set when conversion results are loaded into $ADC10MEM$. When DTC is used ($ADC10DTC1 > 0$) $ADC10IFG$ is set when a block transfer completes and the internal transfer counter 'n' = 0. If both the $ADC10IE$ and the GIE bits are set, then the $ADC10IFG$ flag generates an interrupt request. The $ADC10IFG$ flag is automatically reset when the interrupt request is serviced or may be reset by software.

Figure 27–16. ADC10 Interrupt System



27.3 ADC10 Registers

The ADC10 registers are listed in Table 27–3.

Table 27–3. ADC10 Registers

Register	Short Form	Register Type	Address	Initial State
ADC10 Input enable register 0	ADC10AE0	Read/write	04Ah	Reset with POR
ADC10 Input enable register 1	ADC10AE1	Read/write	04Bh	Reset with POR
ADC10 control register 0	ADC10CTL0	Read/write	01B0h	Reset with POR
ADC10 control register 1	ADC10CTL1	Read/write	01B2h	Reset with POR
ADC10 memory	ADC10MEM	Read	01B4h	Unchanged
ADC10 data transfer control register 0	ADC10DTC0	Read/write	048h	Reset with POR
ADC10 data transfer control register 1	ADC10DTC1	Read/write	049h	Reset with POR
ADC10 data transfer start address	ADC10SA	Read/write	01BCh	0200h with POR

ADC10CTL0, ADC10 Control Register 0

15	14	13	12	11	10	9	8
SREFx			ADC10SHTx		ADC10SR	REFOUT	REFBURST
rw-(0)			rw-(0)		rw-(0)	rw-(0)	rw-(0)
7	6	5	4	3	2	1	0
MSC	REF2_5V	REFON	ADC10ON	ADC10IE	ADC10IFG	ENC	ADC10SC
rw-(0)	rw-(0)	rw-(0)	rw-(0)	rw-(0)	rw-(0)	rw-(0)	rw-(0)

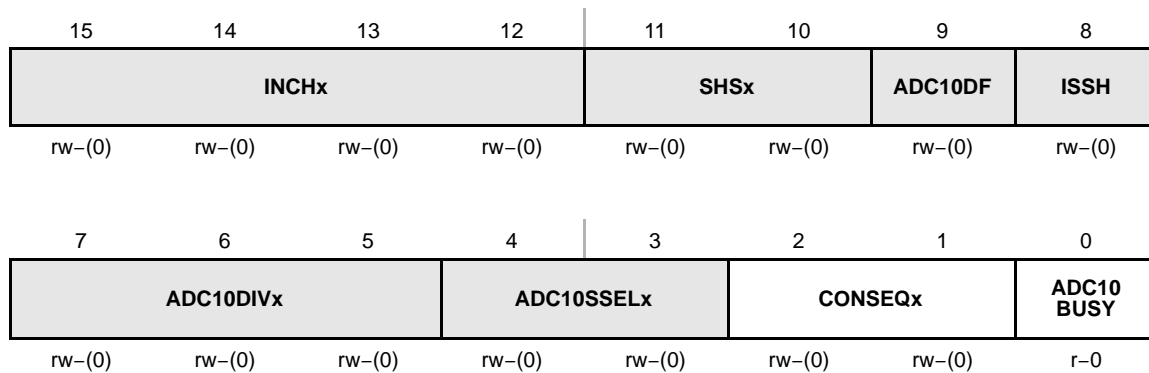


Modifiable only when ENC = 0

SREFx	Bits	Select reference
	15-13	000 $V_{R+} = V_{CC}$ and $V_{R-} = V_{SS}$ 001 $V_{R+} = V_{REF+}$ and $V_{R-} = V_{SS}$ 010 $V_{R+} = V_{REF+}$ and $V_{R-} = V_{SS}$ 011 $V_{R+} = \text{Buffered } V_{REF+}$ and $V_{R-} = V_{SS}$ 100 $V_{R+} = V_{CC}$ and $V_{R-} = V_{REF-} / V_{REF-}$ 101 $V_{R+} = V_{REF+}$ and $V_{R-} = V_{REF-} / V_{REF-}$ 110 $V_{R+} = V_{REF+}$ and $V_{R-} = V_{REF-} / V_{REF-}$ 111 $V_{R+} = \text{Buffered } V_{REF+}$ and $V_{R-} = V_{REF-} / V_{REF-}$
ADC10 SHTx	Bits	ADC10 sample-and-hold time
	12-11	00 4 x ADC10CLKs 01 8 x ADC10CLKs 10 16 x ADC10CLKs 11 64 x ADC10CLKs
ADC10SR	Bit 10	ADC10 sampling rate. This bit selects the reference buffer drive capability for the maximum sampling rate. Setting ADC10SR reduces the current consumption of the reference buffer. 0 Reference buffer supports up to ~200 ksp/s 1 Reference buffer supports up to ~50 ksp/s
REFOUT	Bit 9	Reference output 0 Reference output off 1 Reference output on
REFBURST	Bit 8	Reference burst. 0 Reference buffer on continuously 1 Reference buffer on only during sample-and-conversion

MSC	Bit 7	Multiple sample and conversion. Valid only for sequence or repeated modes. 0 The sampling requires a rising edge of the SHI signal to trigger each sample-and-conversion. 1 The first rising edge of the SHI signal triggers the sampling timer, but further sample-and-conversions are performed automatically as soon as the prior conversion is completed
REF2_5V	Bit 6	Reference-generator voltage. REFON must also be set. 0 1.5 V 1 2.5 V
REFON	Bit 5	Reference generator on 0 Reference off 1 Reference on
ADC10ON	Bit 4	ADC10 on 0 ADC10 off 1 ADC10 on
ADC10IE	Bit 3	ADC10 interrupt enable 0 Interrupt disabled 1 interrupt enabled
ADC10IFG	Bit 2	ADC10 interrupt flag. This bit is set if ADC10MEM is loaded with a conversion result. It is automatically reset when the interrupt request is accepted, or it may be reset by software. When using the DTC this flag is set when a block of transfers is completed. 0 No interrupt pending 1 Interrupt pending
ENC	Bit 1	Enable conversion 0 ADC10 disabled 1 ADC10 enabled
ADC10SC	Bit 0	Start conversion. Software-controlled sample-and-conversion start. ADC10SC and ENC may be set together with one instruction. ADC10SC is reset automatically. 0 No sample-and-conversion start 1 Start sample-and-conversion

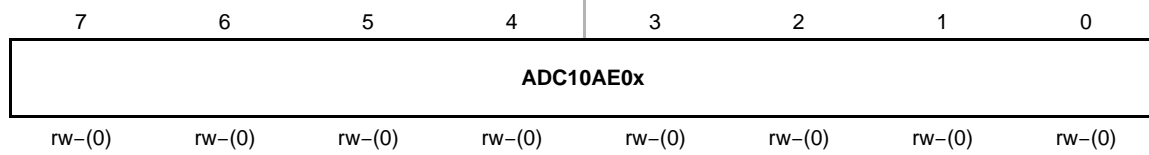
ADC10CTL1, ADC10 Control Register 1



Modifiable only when ENC = 0

INCHx	Bits 15-12	Input channel select. These bits select the channel for a single-conversion or the highest channel for a sequence of conversions. 0000 A0 0001 A1 0010 A2 0011 A3 0100 A4 0101 A5 0110 A6 0111 A7 1000 V_{REF+} 1001 V_{REF-}/V_{REF-} 1010 Temperature sensor 1011 $(V_{CC} - V_{SS}) / 2$ 1100 $(V_{CC} - V_{SS}) / 2$, A12 on MSP430x22xx devices 1101 $(V_{CC} - V_{SS}) / 2$, A13 on MSP430x22xx devices 1110 $(V_{CC} - V_{SS}) / 2$, A14 on MSP430x22xx devices 1111 $(V_{CC} - V_{SS}) / 2$, A15 on MSP430x22xx devices
SHSx	Bits 11-10	Sample-and-hold source select. For The MSP430F41x2 devices: 00 ADC10SC bit 01 Timer_A0.OUT1 10 Timer_A1.OUT0 11 Timer_A1.OUT1
ADC10DF	Bit 9	ADC10 data format 0 Straight binary 1 2's complement
ISSH	Bit 8	Invert signal sample-and-hold 0 The sample-input signal is not inverted. 1 The sample-input signal is inverted.

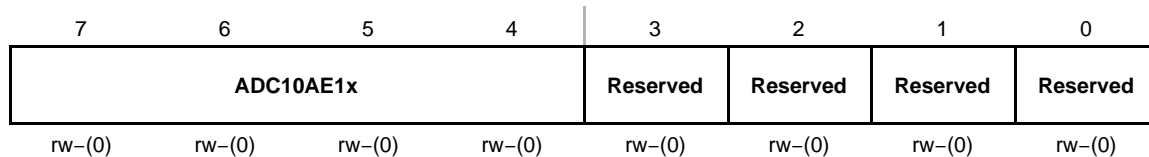
ADC10DIVx	Bits 7-5	ADC10 clock divider 000 /1 001 /2 010 /3 011 /4 100 /5 101 /6 110 /7 111 /8
ADC10 SSELx	Bits 4-3	ADC10 clock source select 00 ADC10OSC 01 ACLK 10 MCLK 11 SMCLK
CONSEQx	Bits 2-1	Conversion sequence mode select 00 Single-channel-single-conversion 01 Sequence-of-channels 10 Repeat-single-channel 11 Repeat-sequence-of-channels
ADC10 BUSY	Bit 0	ADC10 busy. This bit indicates an active sample or conversion operation 0 No operation is active. 1 A sequence, sample, or conversion is active.

ADC10AE0, Analog (Input) Enable Control Register 0

ADC10AE0x Bits 7-0 ADC10 analog enable. These bits enable the corresponding pin for analog input. BIT0 corresponds to A0, BIT1 corresponds to A1, etc.

0 Analog input disabled

1 Analog input enabled

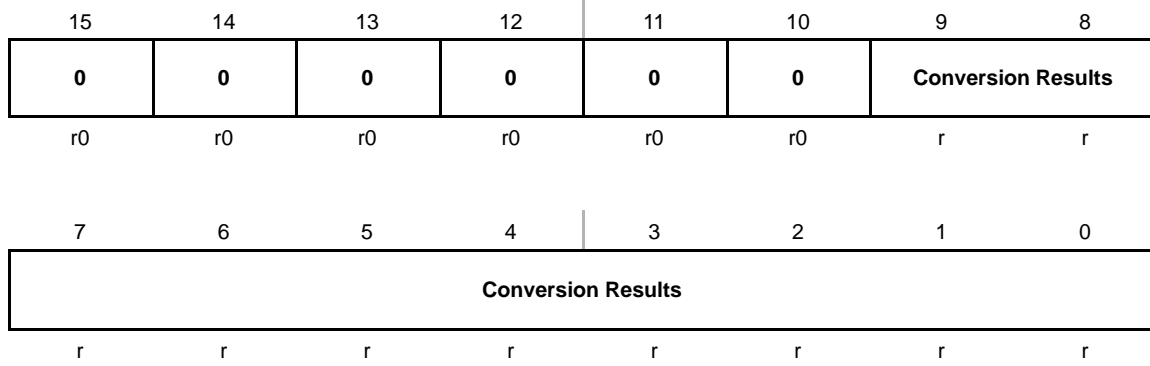
ADC10AE1, Analog (Input) Enable Control Register 1

ADC10AE1x Bits 7-4 ADC10 analog enable. These bits enable the corresponding pin for analog input. BIT4 corresponds to A12, BIT5 corresponds to A13, BIT6 corresponds to A14, and BIT7 corresponds to A15.

0 Analog input disabled

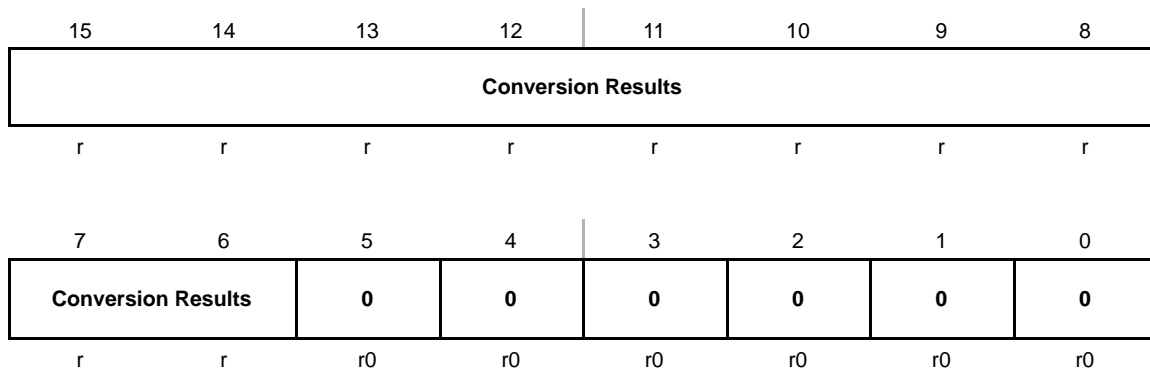
1 Analog input enabled

ADC10MEM, Conversion-Memory Register, Binary Format

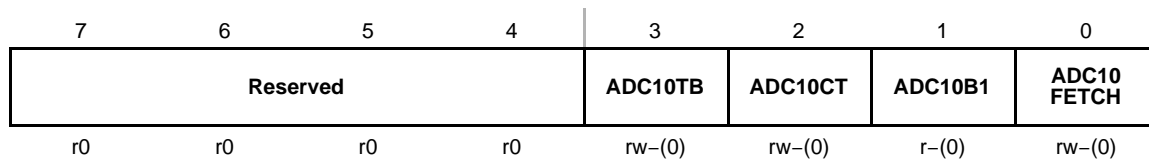


Conversion Results Bits 15-0 The 10-bit conversion results are right justified, straight-binary format. Bit 9 is the MSB. Bits 15-10 are always 0.

ADC10MEM, Conversion-Memory Register, 2's Complement Format

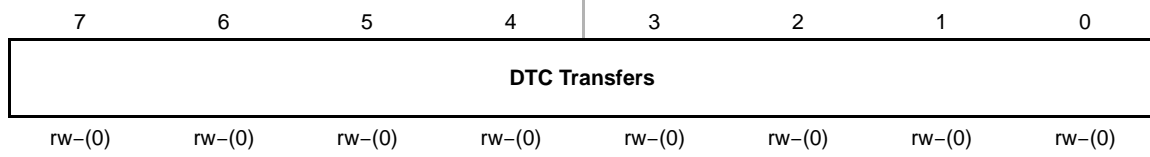


Conversion Results Bits 15-0 The 10-bit conversion results are left-justified, 2's complement format. Bit 15 is the MSB. Bits 5-0 are always 0.

ADC10DTC0, Data Transfer Control Register 0

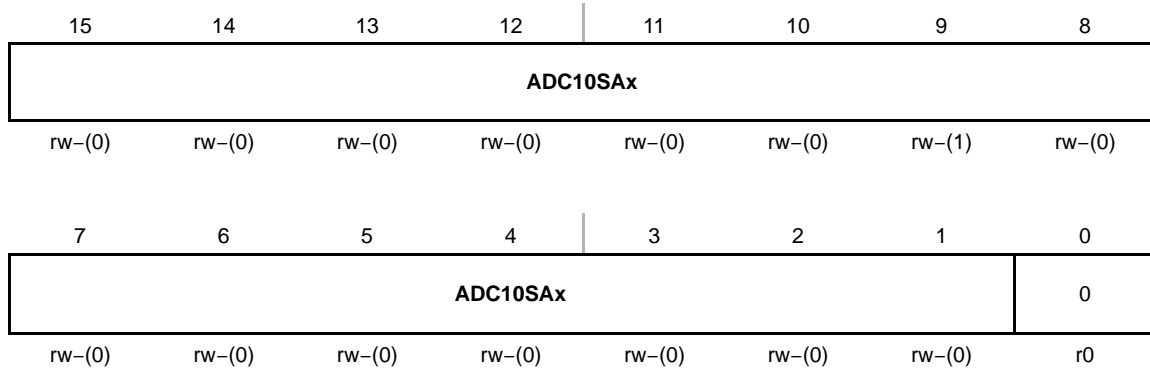
Reserved	Bits 7-4	Reserved. Always read as 0.
ADC10TB	Bit 3	ADC10 two-block mode. 0 One-block transfer mode 1 Two-block transfer mode
ADC10CT	Bit 2	ADC10 continuous transfer. 0 Data transfer stops when one block (one-block mode) or two blocks (two-block mode) have completed. 1 Data is transferred continuously. DTC operation is stopped only if ADC10CT cleared, or ADC10SA is written to.
ADC10B1	Bit 1	ADC10 block one. This bit indicates for two-block mode which block is filled with ADC10 conversion results. ADC10B1 is valid only after ADC10IFG has been set the first time during DTC operation. ADC10TB must also be set. 0 Block 2 is filled 1 Block 1 is filled
ADC10 FETCH	Bit 0	This bit should normally be reset.

ADC10DTC1, Data Transfer Control Register 1



DTC Transfers Bits 7-0 DTC transfers. These bits define the number of transfers in each block.
 0 DTC is disabled
 01h-0FFh Number of transfers per block

ADC10SA, Start Address Register for Data Transfer



ADC10SAx Bits 15-1 ADC10 start address. These bits are the start address for the DTC. A write to register ADC10SA is required to initiate DTC transfers.

Unused Bit 0 Unused, Read only. Always read as 0.

ADC12

The ADC12 module is a high-performance 12-bit analog-to-digital converter (ADC). This chapter describes the ADC12. The ADC12 is implemented in the MSP430x43x MSP430x44x, and MSP430FG461x devices.

Topic	Page
28.1 ADC12 Introduction	28-2
28.2 ADC12 Operation	28-4
28.3 ADC12 Registers	28-20

28.1 ADC12 Introduction

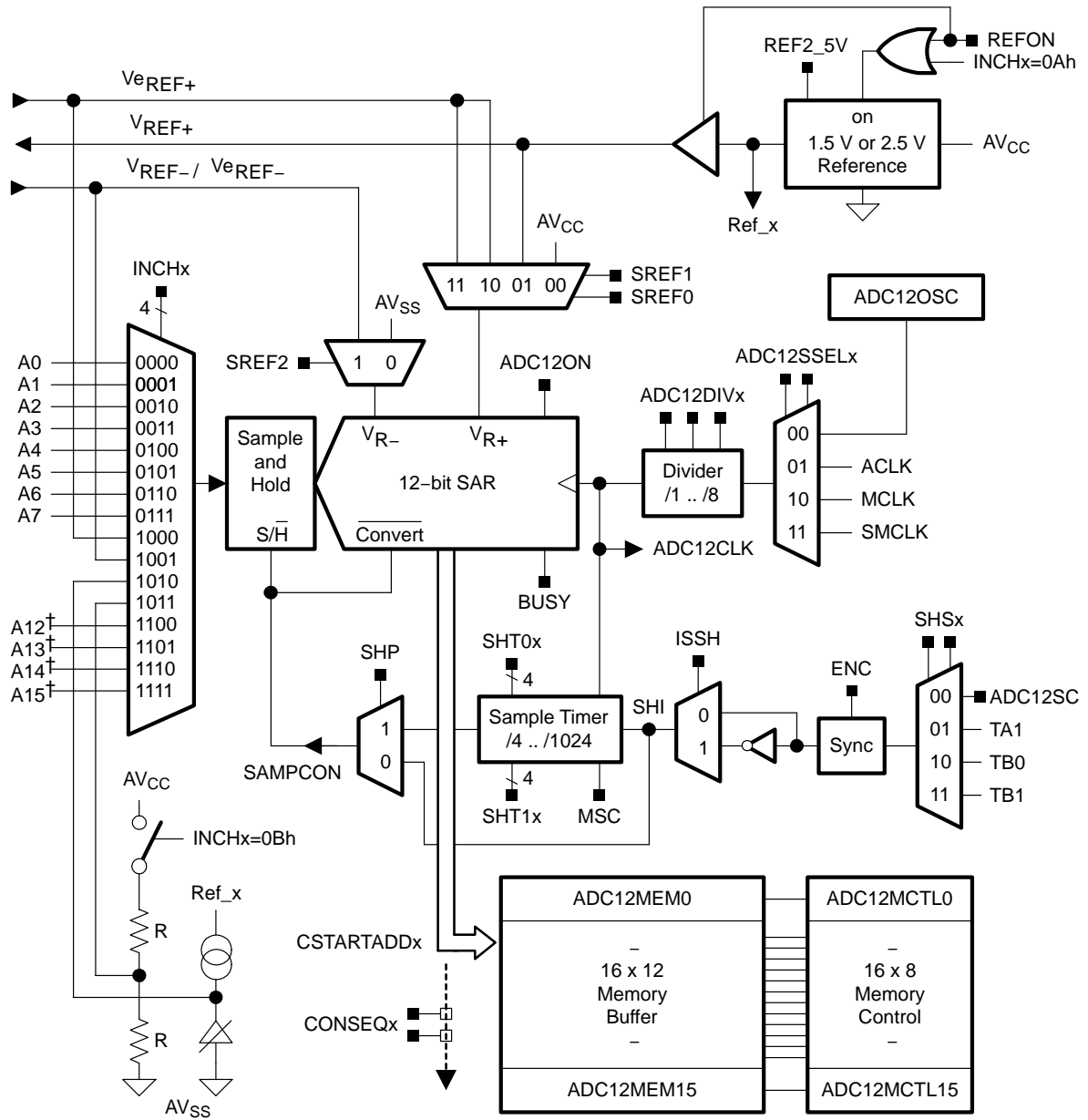
The ADC12 module supports fast, 12-bit analog-to-digital conversions. The module implements a 12-bit SAR core, sample select control, reference generator and a 16 word conversion-and-control buffer. The conversion-and-control buffer allows up to 16 independent ADC samples to be converted and stored without any CPU intervention.

ADC12 features include:

- Greater than 200-ksps maximum conversion rate
- Monotonic 12-bit converter with no missing codes
- Sample-and-hold with programmable sampling periods controlled by software or timers.
- Conversion initiation by software, Timer_A, or Timer_B
- Software selectable on-chip reference voltage generation (1.5 V or 2.5 V)
- Software selectable internal or external reference
- Eight individually configurable external input channels (twelve on MSP430FG43x and MSP430FG461x devices)
- Conversion channels for internal temperature sensor, AV_{CC} , and external references
- Independent channel-selectable reference sources for both positive and negative references
- Selectable conversion clock source
- Single-channel, repeat-single-channel, sequence, and repeat-sequence conversion modes
- ADC core and reference voltage can be powered down separately
- Interrupt vector register for fast decoding of 18 ADC interrupts
- 16 conversion-result storage registers

The block diagram of ADC12 is shown in Figure 28–1.

Figure 28–1. ADC12 Block Diagram



† MSP430FG43x and MSP430FG461x devices only

28.2 ADC12 Operation

The ADC12 module is configured with user software. The setup and operation of the ADC12 is discussed in the following sections.

28.2.1 12-Bit ADC Core

The ADC core converts an analog input to its 12-bit digital representation and stores the result in conversion memory. The core uses two programmable/selectable voltage levels (V_{R+} and V_{R-}) to define the upper and lower limits of the conversion. The digital output (N_{ADC}) is full scale (0FFFh) when the input signal is equal to or higher than V_{R+} , and zero when the input signal is equal to or lower than V_{R-} . The input channel and the reference voltage levels (V_{R+} and V_{R-}) are defined in the conversion-control memory. The conversion formula for the ADC result N_{ADC} is:

$$N_{ADC} = 4095 \times \frac{V_{in} - V_{R-}}{V_{R+} - V_{R-}}$$

The ADC12 core is configured by two control registers, ADC12CTL0 and ADC12CTL1. The core is enabled with the ADC12ON bit. The ADC12 can be turned off when not in use to save power. With few exceptions the ADC12 control bits can only be modified when ENC = 0. ENC must be set to 1 before any conversion can take place.

Conversion Clock Selection

The ADC12CLK is used both as the conversion clock and to generate the sampling period when the pulse sampling mode is selected. The ADC12 source clock is selected using the ADC12SSELx bits and can be divided by 1 to 8 using the ADC12DIVx bits. Possible ADC12CLK sources are SMCLK, MCLK, ACLK, and an internal oscillator, ADC12OSC.

The ADC12OSC, generated internally, is in the 5-MHz range but varies with individual devices, supply voltage, and temperature. See the device-specific data sheet for the ADC12OSC specification.

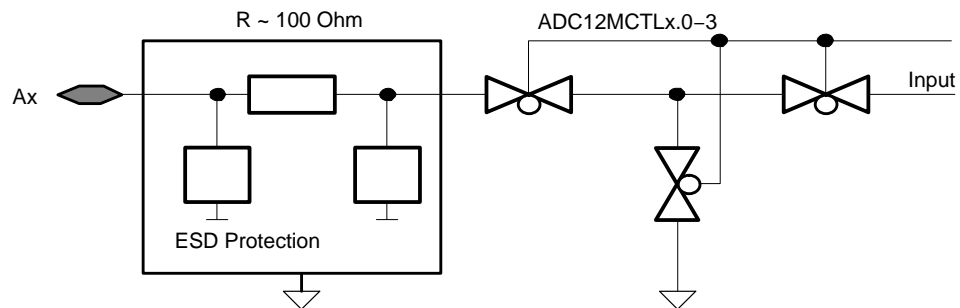
The user must ensure that the clock chosen for ADC12CLK remains active until the end of a conversion. If the clock is removed during a conversion, the operation will not complete and any result will be invalid.

28.2.2 ADC12 Inputs and Multiplexer

The eight external and four internal analog signals are selected as the channel for conversion by the analog input multiplexer. The input multiplexer is a break-before-make type to reduce input-to-input noise injection resulting from channel switching as shown in Figure 28–2. The input multiplexer is also a T-switch to minimize the coupling between channels. Channels that are not selected are isolated from the A/D and the intermediate node is connected to analog ground (AV_{SS}) so that the stray capacitance is grounded to help eliminate crosstalk.

The ADC12 uses the charge redistribution method. When the inputs are internally switched, the switching action may cause transients on the input signal. These transients decay and settle before causing errant conversion.

Figure 28–2. Analog Multiplexer



Analog Port Selection

The ADC12 inputs are multiplexed with the port P6 pins, which are digital CMOS gates. When analog signals are applied to digital CMOS gates, parasitic current can flow from V_{CC} to GND. This parasitic current occurs if the input voltage is near the transition level of the gate. Disabling the port pin buffer eliminates the parasitic current flow and therefore reduces overall current consumption. The P6SELx bits provide the ability to disable the port pin input and output buffers.

```
; P6.0 and P6.1 configured for analog input
BIS.B #3h,&P6SEL ; P6.1 and P6.0 ADC12 function
```

28.2.3 Voltage Reference Generator

The ADC12 module contains a built-in voltage reference with two selectable voltage levels, 1.5 V and 2.5 V. Either of these reference voltages may be used internally and externally on pin V_{REF+} .

Setting $REFON=1$ enables the internal reference. When $REF2_5V = 1$, the internal reference is 2.5 V, the reference is 1.5 V when $REF2_5V = 0$. The reference can be turned off to save power when not in use.

For proper operation the internal voltage reference generator must be supplied with storage capacitance across V_{REF+} and A_{VSS} . The recommended storage capacitance is a parallel combination of 10- μ F and 0.1- μ F capacitors. From turn-on, a maximum of 17 ms must be allowed for the voltage reference generator to bias the recommended storage capacitors. If the internal reference generator is not used for the conversion, the storage capacitors are not required.

Note: Reference Decoupling

Approximately 200 μ A is required from *any* reference used by the ADC12 while the two LSBs are being resolved during a conversion. A parallel combination of 10- μ F and 0.1- μ F capacitors is recommended for *any* reference used as shown in Figure 28-11.

External references may be supplied for V_{R+} and V_{R-} through pins Ve_{REF+} and V_{REF-}/Ve_{REF-} respectively.

28.2.4 Auto Power-Down

The ADC12 is designed for low power applications. When the ADC12 is not actively converting, the core is automatically disabled and automatically re-enabled when needed. The ADC12OSC is also automatically enabled when needed and disabled when not needed. The reference is not automatically disabled, but can be disabled by setting $REFON = 0$. When the core, oscillator, or reference are disabled, they consume no current.

28.2.5 Sample and Conversion Timing

An analog-to-digital conversion is initiated with a rising edge of the sample input signal SHI. The source for SHI is selected with the SHSx bits and includes the following:

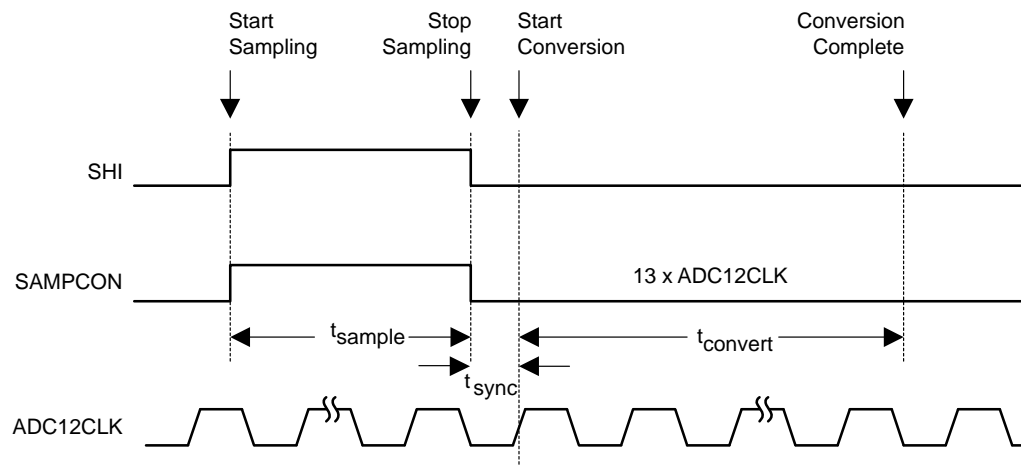
- The ADC12SC bit
- The Timer_A Output Unit 1
- The Timer_B Output Unit 0
- The Timer_B Output Unit 1

The polarity of the SHI signal source can be inverted with the ISSH bit. The SAMPCON signal controls the sample period and start of conversion. When SAMPCON is high, sampling is active. The high-to-low SAMPCON transition starts the analog-to-digital conversion, which requires 13 ADC12CLK cycles. Two different sample-timing methods are defined by control bit SHP, extended sample mode and pulse mode.

Extended Sample Mode

The extended sample mode is selected when SHP = 0. The SHI signal directly controls SAMPCON and defines the length of the sample period t_{sample} . When SAMPCON is high, sampling is active. The high-to-low SAMPCON transition starts the conversion after synchronization with ADC12CLK. See Figure 28–3.

Figure 28–3. Extended Sample Mode

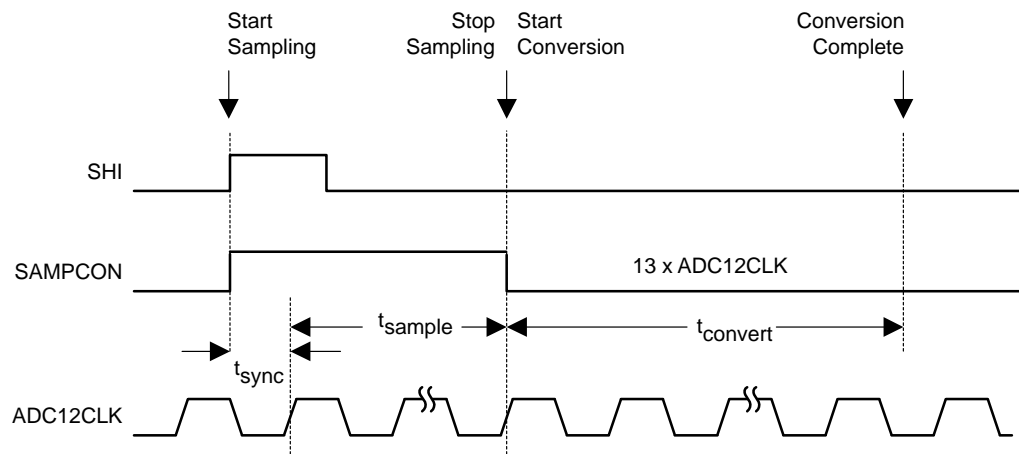


Pulse Sample Mode

The pulse sample mode is selected when $SHP = 1$. The SHI signal is used to trigger the sampling timer. The SHT0x and SHT1x bits in ADC12CTL0 control the interval of the sampling timer that defines the SAMPCON sample period t_{sample} . The sampling timer keeps SAMPCON high after synchronization with AD12CLK for a programmed interval t_{sample} . The total sampling time is t_{sample} plus t_{sync} . See Figure 28–4.

The SHTx bits select the sampling time in 4x multiples of ADC12CLK. SHT0x selects the sampling time for ADC12MCTL0 to 7 and SHT1x selects the sampling time for ADC12MCTL8 to 15.

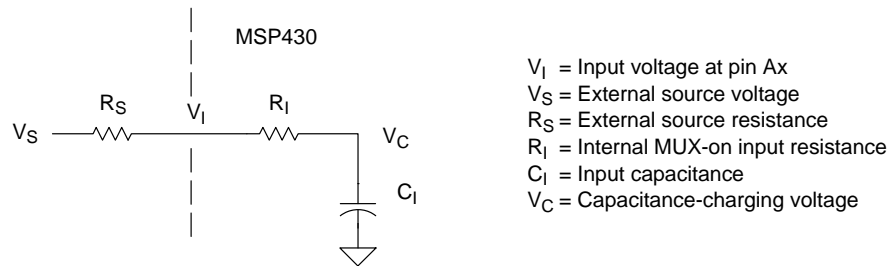
Figure 28–4. Pulse Sample Mode



Sample Timing Considerations

When $SAMPCON = 0$ all Ax inputs are high impedance. When $SAMPCON = 1$, the selected Ax input can be modeled as an RC low-pass filter during the sampling time t_{sample} , as shown below in Figure 28–5. An internal MUX-on input resistance R_I (maximum $2\text{ k}\Omega$) in series with capacitor C_I (maximum 40 pF) is seen by the source. The capacitor C_I voltage V_C must be charged to within $1/2\text{ LSB}$ of the source voltage V_S for an accurate 12-bit conversion.

Figure 28–5. Analog Input Equivalent Circuit



V_I = Input voltage at pin Ax
 V_S = External source voltage
 R_S = External source resistance
 R_I = Internal MUX-on input resistance
 C_I = Input capacitance
 V_C = Capacitance-charging voltage

The resistance of the source R_S and R_I affect t_{sample} . The following equation can be used to calculate the minimum sampling time t_{sample} for a 12-bit conversion:

$$t_{sample} > (R_S + R_I) \times \ln(2^{13}) \times C_I + 800\text{ns}$$

Substituting the values for R_I and C_I given above, the equation becomes:

$$t_{sample} > (R_S + 2\text{k}\Omega) \times 9.011 \times 40\text{pF} + 800\text{ns}$$

For example, if R_S is $10\text{ k}\Omega$, t_{sample} must be greater than $5.13\text{ }\mu\text{s}$.

28.2.6 Conversion Memory

There are 16 ADC12MEMx conversion memory registers to store conversion results. Each ADC12MEMx is configured with an associated ADC12MCTLx control register. The SREFx bits define the voltage reference and the INCHx bits select the input channel. The EOS bit defines the end of sequence when a sequential conversion mode is used. A sequence rolls over from ADC12MEM15 to ADC12MEM0 when the EOS bit in ADC12MCTL15 is not set.

The CSTARTADDx bits define the first ADC12MCTLx used for any conversion. If the conversion mode is single-channel or repeat-single-channel the CSTARTADDx points to the single ADC12MCTLx to be used.

If the conversion mode selected is either sequence-of-channels or repeat-sequence-of-channels, CSTARTADDx points to the first ADC12MCTLx location to be used in a sequence. A pointer, not visible to software, is incremented automatically to the next ADC12MCTLx in a sequence when each conversion completes. The sequence continues until an EOS bit in ADC12MCTLx is processed - this is the last control byte processed.

When conversion results are written to a selected ADC12MEMx, the corresponding flag in the ADC12IFGx register is set.

28.2.7 ADC12 Conversion Modes

The ADC12 has four operating modes selected by the CONSEQx bits as discussed in Table 28–1.

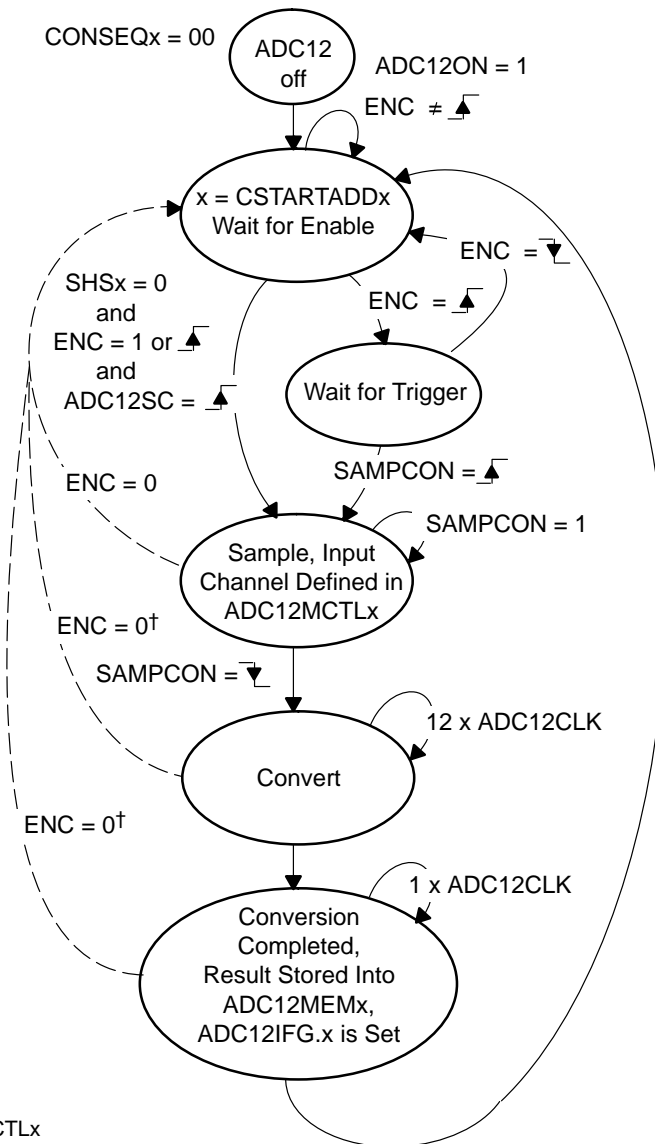
Table 28–1. Conversion Mode Summary

CONSEQx	Mode	Operation
00	Single channel single-conversion	A single channel is converted once.
01	Sequence-of-channels	A sequence of channels is converted once.
10	Repeat-single-channel	A single channel is converted repeatedly.
11	Repeat-sequence-of-channels	A sequence of channels is converted repeatedly.

Single-Channel Single-Conversion Mode

A single channel is sampled and converted once. The ADC result is written to the ADC12MEMx defined by the CSTARTADDx bits. Figure 28–6 shows the flow of the Single-Channel, Single-Conversion mode. When ADC12SC triggers a conversion, successive conversions can be triggered by the ADC12SC bit. When any other trigger source is used, ENC must be toggled between each conversion.

Figure 28–6. Single-Channel, Single-Conversion Mode

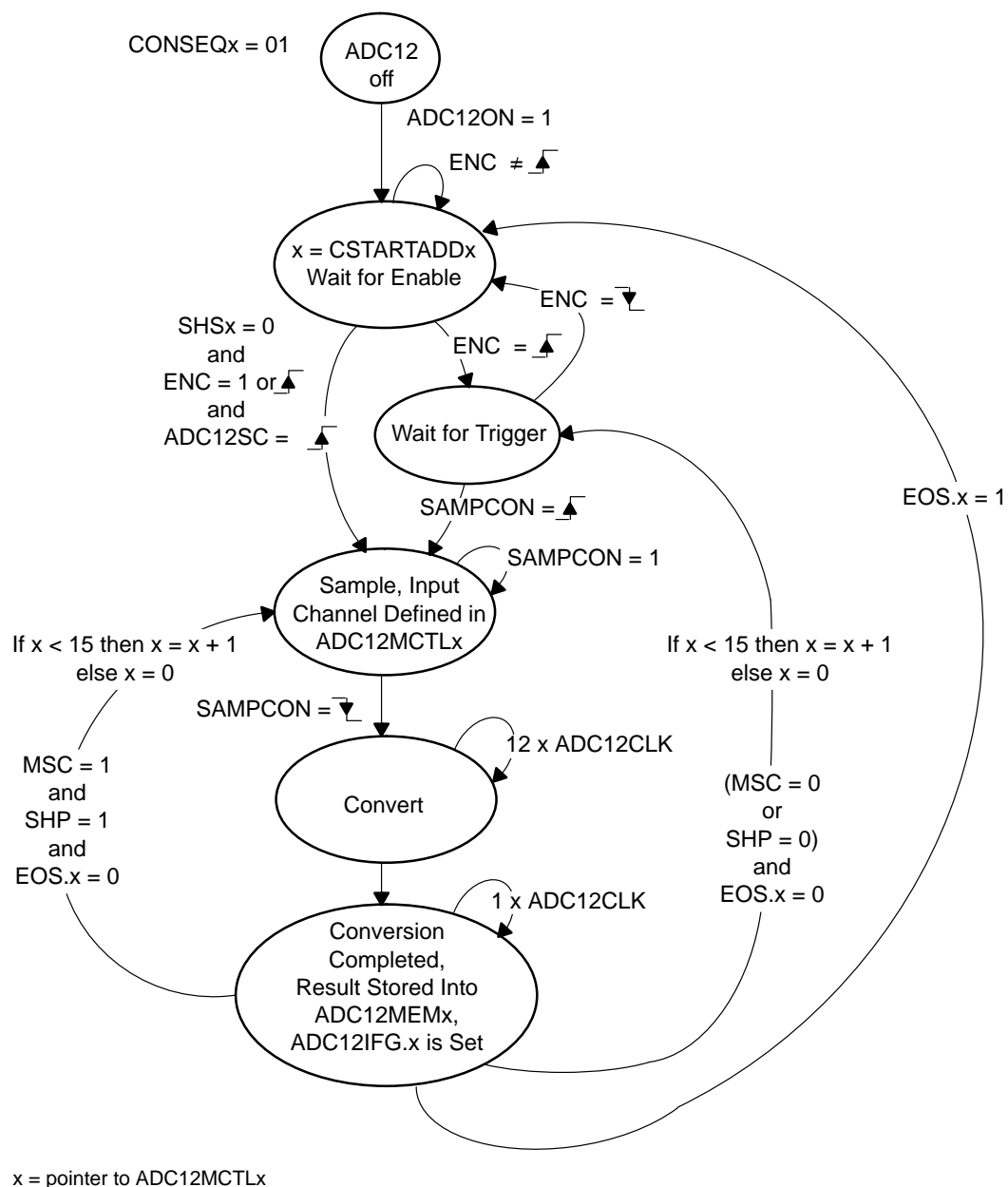


x = pointer to ADC12MCTLx
 †Conversion result is unpredictable

Sequence-of-Channels Mode

A sequence of channels is sampled and converted once. The ADC results are written to the conversion memories starting with the ADCMEMx defined by the CSTARTADDx bits. The sequence stops after the measurement of the channel with a set EOS bit. Figure 28–7 shows the sequence-of-channels mode. When ADC12SC triggers a sequence, successive sequences can be triggered by the ADC12SC bit. When any other trigger source is used, ENC must be toggled between each sequence.

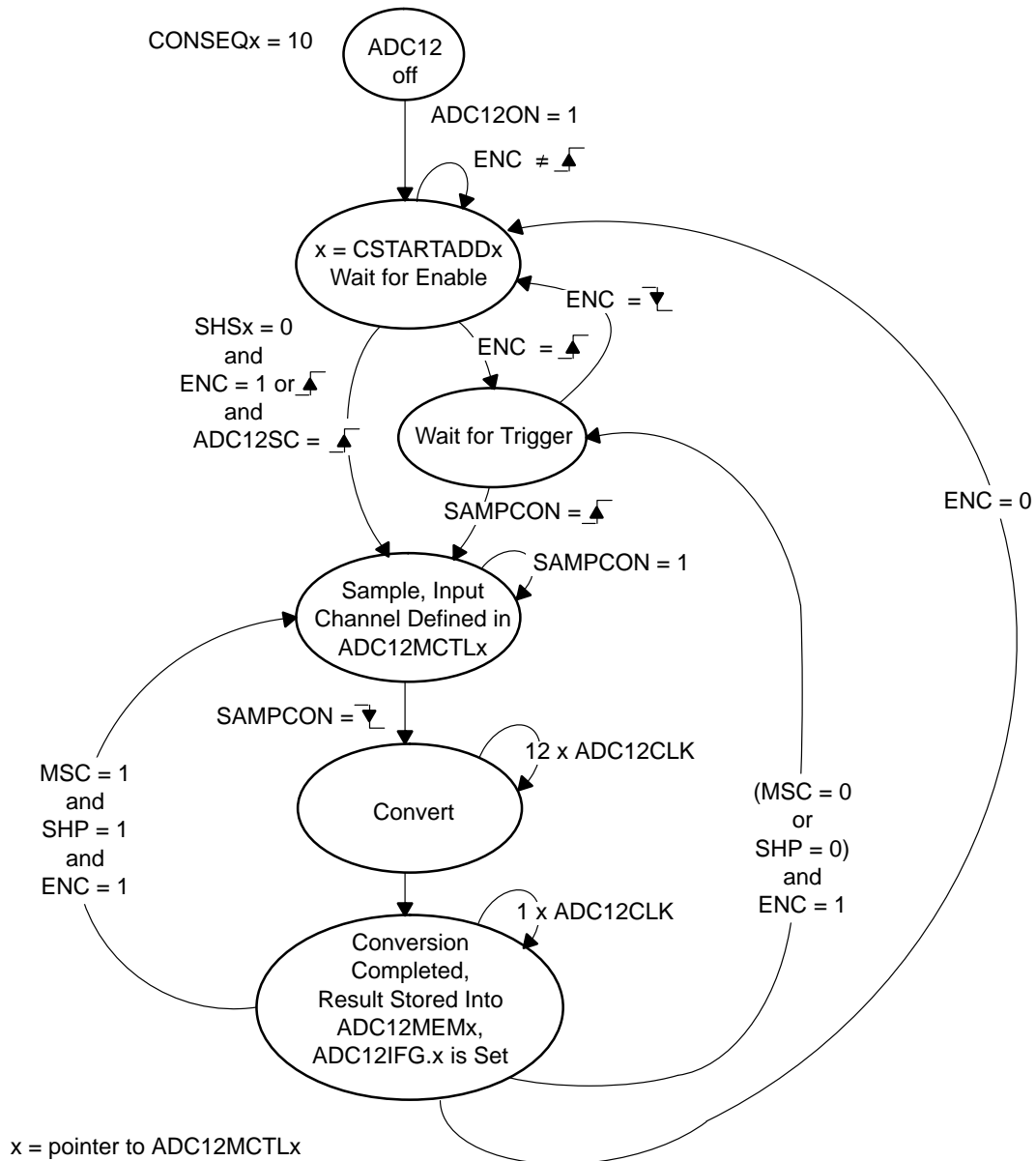
Figure 28–7. Sequence-of-Channels Mode



Repeat-Single-Channel Mode

A single channel is sampled and converted continuously. The ADC results are written to the ADC12MEMx defined by the CSTARTADDx bits. It is necessary to read the result after the completed conversion because only one ADC12MEMx memory is used and is overwritten by the next conversion. Figure 28–8 shows repeat-single-channel mode

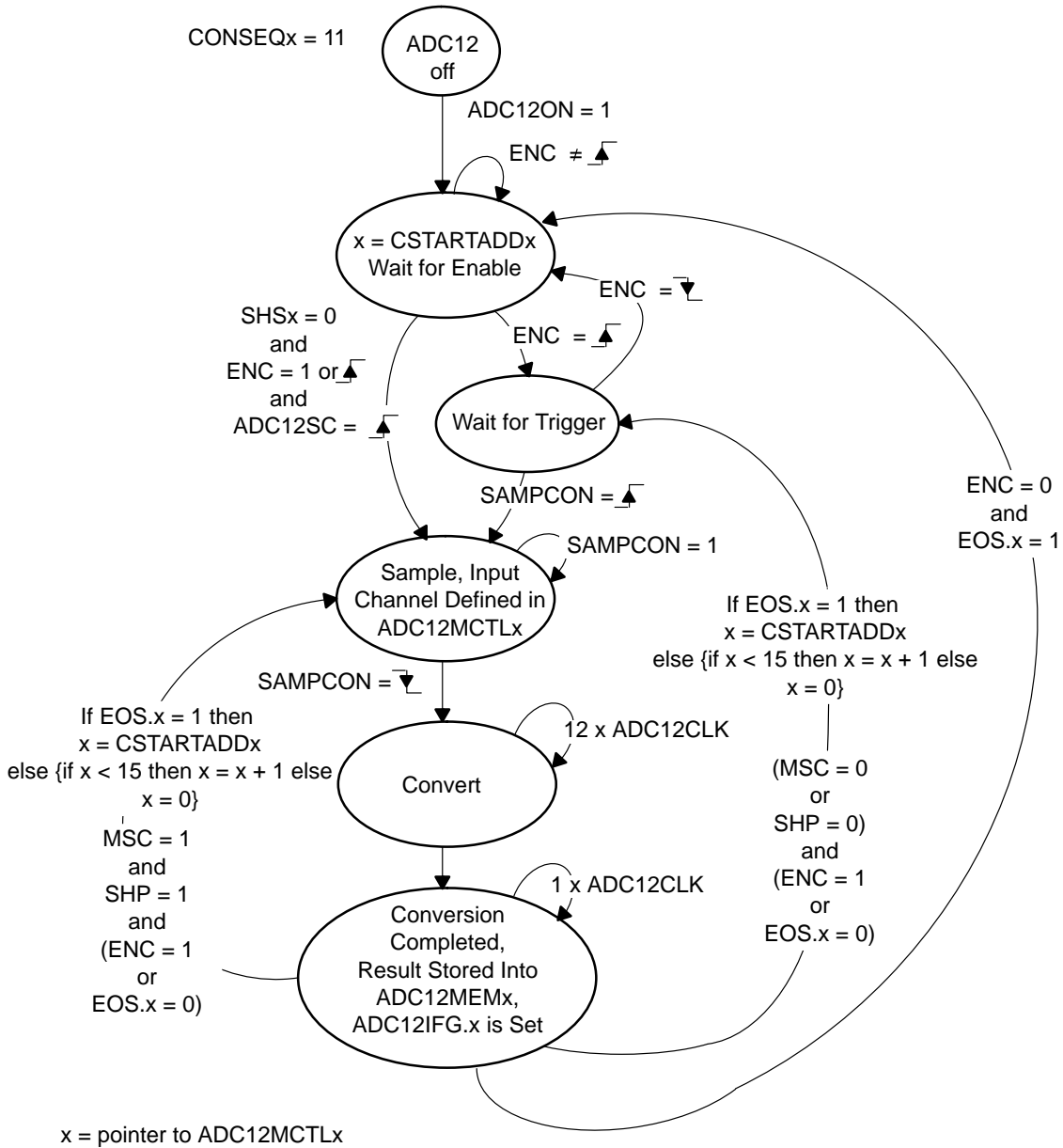
Figure 28–8. Repeat-Single-Channel Mode



Repeat-Sequence-of-Channels Mode

A sequence of channels is sampled and converted repeatedly. The ADC results are written to the conversion memories starting with the ADC12MEMx defined by the CSTARTADDx bits. The sequence ends after the measurement of the channel with a set EOS bit and the next trigger signal re-starts the sequence. Figure 28–9 shows the repeat-sequence-of-channels mode.

Figure 28–9. Repeat-Sequence-of-Channels Mode



Using the Multiple Sample and Convert (MSC) Bit

To configure the converter to perform successive conversions automatically and as quickly as possible, a multiple sample and convert function is available. When $MSC = 1$, $CONSEQx > 0$, and the sample timer is used, the first rising edge of the SHI signal triggers the first conversion. Successive conversions are triggered automatically as soon as the prior conversion is completed. Additional rising edges on SHI are ignored until the sequence is completed in the single-sequence mode or until the ENC bit is toggled in repeat-single-channel, or repeated-sequence modes. The function of the ENC bit is unchanged when using the MSC bit.

Stopping Conversions

Stopping ADC12 activity depends on the mode of operation. The recommended ways to stop an active conversion or conversion sequence are:

- Resetting ENC in single-channel single-conversion mode stops a conversion immediately and the results are unpredictable. For correct results, poll the busy bit until reset before clearing ENC.
- Resetting ENC during repeat-single-channel operation stops the converter at the end of the current conversion.
- Resetting ENC during a sequence or repeat-sequence mode stops the converter at the end of the sequence.
- Any conversion mode may be stopped immediately by setting the $CONSEQx = 0$ and resetting ENC bit. Conversion data are unreliable.

Note: No EOS Bit Set For Sequence

If no EOS bit is set and a sequence mode is selected, resetting the ENC bit does not stop the sequence. To stop the sequence, first select a single-channel mode and then reset ENC.

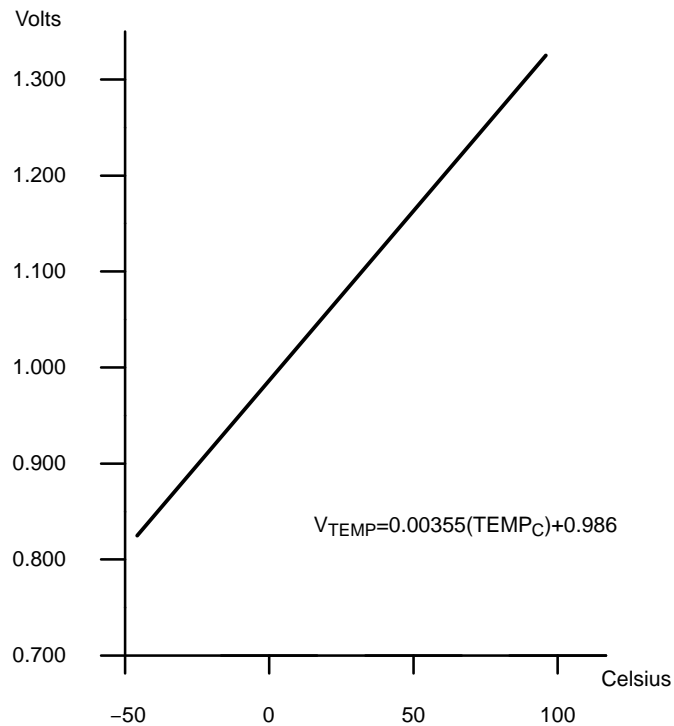
28.2.8 Using the Integrated Temperature Sensor

To use the on-chip temperature sensor, the user selects the analog input channel $INCHx = 1010$. Any other configuration is done as if an external channel was selected, including reference selection, conversion-memory selection, etc.

The typical temperature sensor transfer function is shown in Figure 28–10. When using the temperature sensor, the sample period must be greater than $30\ \mu\text{s}$. The temperature sensor offset error can be large, and may need to be calibrated for most applications. See device-specific data sheet for parameters.

Selecting the temperature sensor automatically turns on the on-chip reference generator as a voltage source for the temperature sensor. However, it does not enable the V_{REF+} output or affect the reference selections for the conversion. The reference choices for converting the temperature sensor are the same as with any other channel.

Figure 28–10. Typical Temperature Sensor Transfer Function



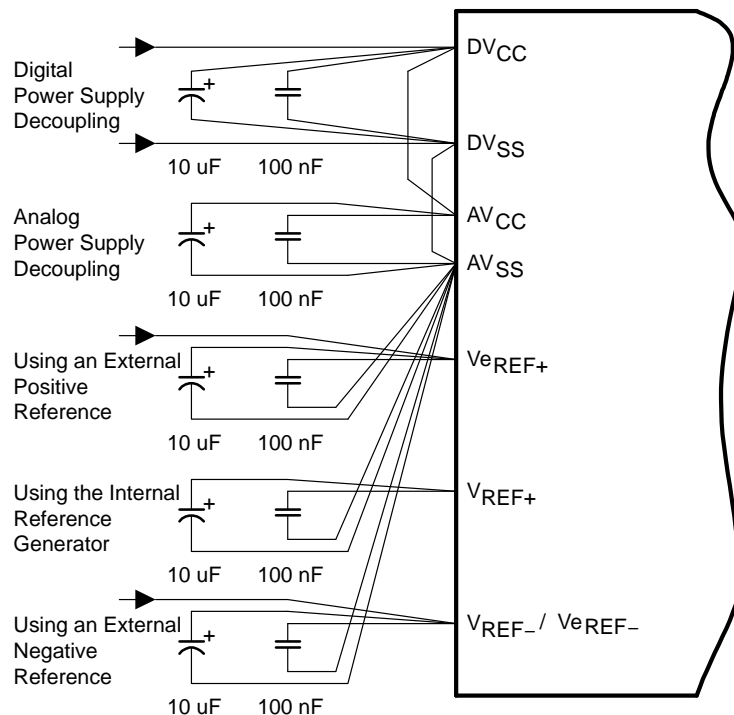
28.2.9 ADC12 Grounding and Noise Considerations

As with any high-resolution ADC, appropriate printed-circuit-board layout and grounding techniques should be followed to eliminate ground loops, unwanted parasitic effects, and noise.

Ground loops are formed when return current from the A/D flows through paths that are common with other analog or digital circuitry. If care is not taken, this current can generate small, unwanted offset voltages that can add to or subtract from the reference or input voltages of the A/D converter. The connections shown in Figure 28–11 help avoid this.

In addition to grounding, ripple and noise spikes on the power supply lines due to digital switching or switching power supplies can corrupt the conversion result. A noise-free design using separate analog and digital ground planes with a single-point connection is recommended to achieve high accuracy.

Figure 28–11. ADC12 Grounding and Noise Considerations



28.2.10 ADC12 Interrupts

The ADC12 has 18 interrupt sources:

- ADC12IFG0-ADC12IFG15
- ADC12OV, ADC12MEMx overflow
- ADC12TOV, ADC12 conversion time overflow

The ADC12IFGx bits are set when their corresponding ADC12MEMx memory register is loaded with a conversion result. An interrupt request is generated if the corresponding ADC12IEx bit and the GIE bit are set. The ADC12OV condition occurs when a conversion result is written to any ADC12MEMx before its previous conversion result was read. The ADC12TOV condition is generated when another sample-and-conversion is requested before the current conversion is completed. The DMA is triggered after the conversion in single channel modes or after the completion of a sequence-of-channel modes.

ADC12IV, Interrupt Vector Generator

All ADC12 interrupt sources are prioritized and combined to source a single interrupt vector. The interrupt vector register ADC12IV is used to determine which enabled ADC12 interrupt source requested an interrupt.

The highest priority enabled ADC12 interrupt generates a number in the ADC12IV register (see register description). This number can be evaluated or added to the program counter to automatically enter the appropriate software routine. Disabled ADC12 interrupts do not affect the ADC12IV value.

Any access, read or write, of the ADC12IV register automatically resets the ADC12OV condition or the ADC12TOV condition if either was the highest pending interrupt. Neither interrupt condition has an accessible interrupt flag. The ADC12IFGx flags are not reset by an ADC12IV access. ADC12IFGx bits are reset automatically by accessing their associated ADC12MEMx register or may be reset with software.

If another interrupt is pending after servicing of an interrupt, another interrupt is generated. For example, if the ADC12OV and ADC12IFG3 interrupts are pending when the interrupt service routine accesses the ADC12IV register, the ADC12OV interrupt condition is reset automatically. After the RETI instruction of the interrupt service routine is executed, the ADC12IFG3 generates another interrupt.

ADC12 Interrupt Handling Software Example

The following software example shows the recommended use of ADC12IV and the handling overhead. The ADC12IV value is added to the PC to automatically jump to the appropriate routine.

The numbers at the right margin show the necessary CPU cycles for each instruction. The software overhead for different interrupt sources includes interrupt latency and return-from-interrupt cycles, but not the task handling itself. The latencies are:

- ADC12IFG0 - ADC12IFG14, ADC12TOV and ADC12OV 16 cycles
- ADC12IFG15 14 cycles

The interrupt handler for ADC12IFG15 shows a way to check immediately if a higher prioritized interrupt occurred during the processing of ADC12IFG15. This saves nine cycles if another ADC12 interrupt is pending.

```

; Interrupt handler for ADC12.
INT_ADC12          ; Enter Interrupt Service Routine      6
  ADD    &ADC12IV,PC; Add offset to PC                    3
  RETI   ; Vector 0: No interrupt                          5
  JMP    ADOV      ; Vector 2: ADC overflow                2
  JMP    ADTOV     ; Vector 4: ADC timing overflow         2
  JMP    ADM0      ; Vector 6: ADC12IFG0                  2
  ...      ; Vectors 8-32                                 2
  JMP    ADM14     ; Vector 34: ADC12IFG14                2
;
; Handler for ADC12IFG15 starts here. No JMP required.
;
ADM15    MOV    &ADC12MEM15,xxx; Move result, flag is reset
  ...      ; Other instruction needed?
  JMP    INT_ADC12 ; Check other int pending
;
; ADC12IFG14-ADC12IFG1 handlers go here
;
ADM0     MOV    &ADC12MEM0,xxx ; Move result, flag is reset
  ...      ; Other instruction needed?
  RETI   ; Return                                          5
;
ADTOV   ...      ; Handle Conv. time overflow
  RETI   ; Return                                          5
;
ADOV    ...      ; Handle ADCMEMx overflow
  RETI   ; Return                                          5

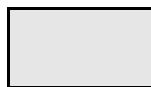
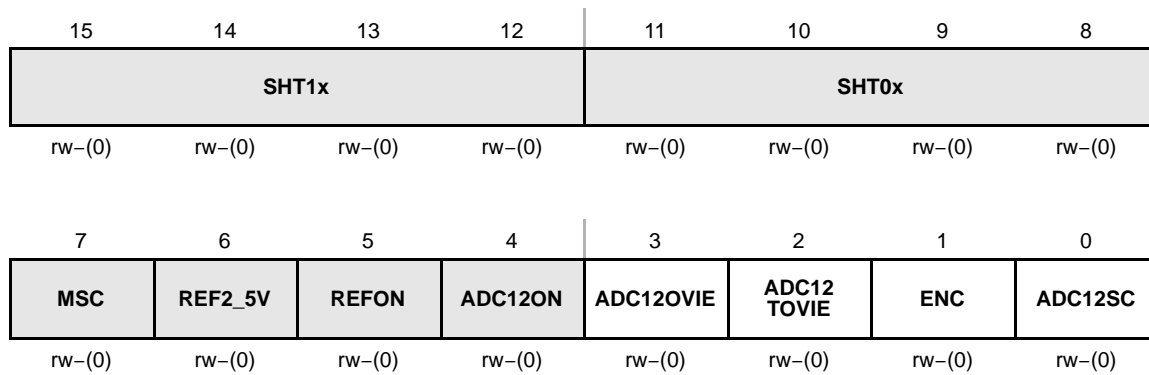
```

28.3 ADC12 Registers

The ADC12 registers are listed in Table 28–2 .

Table 28–2. ADC12 Registers

Register	Short Form	Register Type	Address	Initial State
ADC12 control register 0	ADC12CTL0	Read/write	01A0h	Reset with POR
ADC12 control register 1	ADC12CTL1	Read/write	01A2h	Reset with POR
ADC12 interrupt flag register	ADC12IFG	Read/write	01A4h	Reset with POR
ADC12 interrupt enable register	ADC12IE	Read/write	01A6h	Reset with POR
ADC12 interrupt vector word	ADC12IV	Read	01A8h	Reset with POR
ADC12 memory 0	ADC12MEM0	Read/write	0140h	Unchanged
ADC12 memory 1	ADC12MEM1	Read/write	0142h	Unchanged
ADC12 memory 2	ADC12MEM2	Read/write	0144h	Unchanged
ADC12 memory 3	ADC12MEM3	Read/write	0146h	Unchanged
ADC12 memory 4	ADC12MEM4	Read/write	0148h	Unchanged
ADC12 memory 5	ADC12MEM5	Read/write	014Ah	Unchanged
ADC12 memory 6	ADC12MEM6	Read/write	014Ch	Unchanged
ADC12 memory 7	ADC12MEM7	Read/write	014Eh	Unchanged
ADC12 memory 8	ADC12MEM8	Read/write	0150h	Unchanged
ADC12 memory 9	ADC12MEM9	Read/write	0152h	Unchanged
ADC12 memory 10	ADC12MEM10	Read/write	0154h	Unchanged
ADC12 memory 11	ADC12MEM11	Read/write	0156h	Unchanged
ADC12 memory 12	ADC12MEM12	Read/write	0158h	Unchanged
ADC12 memory 13	ADC12MEM13	Read/write	015Ah	Unchanged
ADC12 memory 14	ADC12MEM14	Read/write	015Ch	Unchanged
ADC12 memory 15	ADC12MEM15	Read/write	015Eh	Unchanged
ADC12 memory control 0	ADC12MCTL0	Read/write	080h	Reset with POR
ADC12 memory control 1	ADC12MCTL1	Read/write	081h	Reset with POR
ADC12 memory control 2	ADC12MCTL2	Read/write	082h	Reset with POR
ADC12 memory control 3	ADC12MCTL3	Read/write	083h	Reset with POR
ADC12 memory control 4	ADC12MCTL4	Read/write	084h	Reset with POR
ADC12 memory control 5	ADC12MCTL5	Read/write	085h	Reset with POR
ADC12 memory control 6	ADC12MCTL6	Read/write	086h	Reset with POR
ADC12 memory control 7	ADC12MCTL7	Read/write	087h	Reset with POR
ADC12 memory control 8	ADC12MCTL8	Read/write	088h	Reset with POR
ADC12 memory control 9	ADC12MCTL9	Read/write	089h	Reset with POR
ADC12 memory control 10	ADC12MCTL10	Read/write	08Ah	Reset with POR
ADC12 memory control 11	ADC12MCTL11	Read/write	08Bh	Reset with POR
ADC12 memory control 12	ADC12MCTL12	Read/write	08Ch	Reset with POR
ADC12 memory control 13	ADC12MCTL13	Read/write	08Dh	Reset with POR
ADC12 memory control 14	ADC12MCTL14	Read/write	08Eh	Reset with POR
ADC12 memory control 15	ADC12MCTL15	Read/write	08Fh	Reset with POR

ADC12CTL0, ADC12 Control Register 0

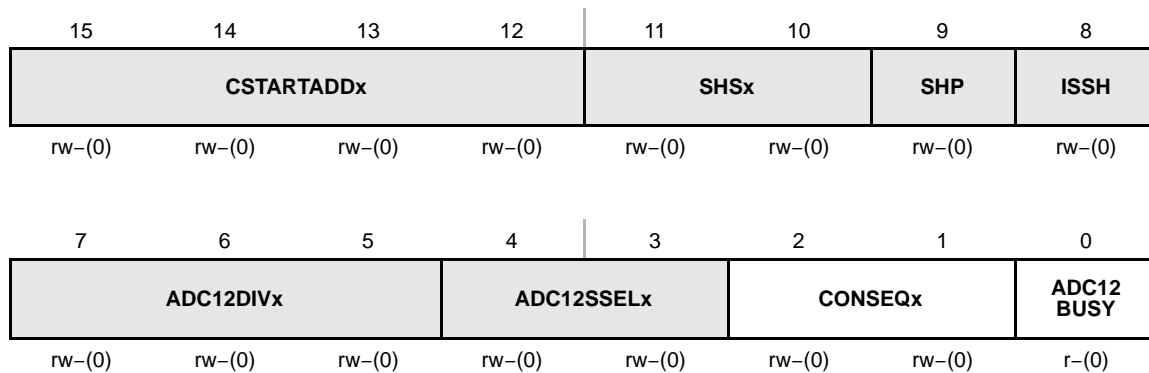
Modifiable only when ENC = 0

- SHT1x** Bits 15-12 Sample-and-hold time. These bits define the number of ADC12CLK cycles in the sampling period for registers ADC12MEM8 to ADC12MEM15.
- SHT0x** Bits 11-8 Sample-and-hold time. These bits define the number of ADC12CLK cycles in the sampling period for registers ADC12MEM0 to ADC12MEM7.

SHTx Bits	ADC12CLK cycles
0000	4
0001	8
0010	16
0011	32
0100	64
0101	96
0110	128
0111	192
1000	256
1001	384
1010	512
1011	768
1100	1024
1101	1024
1110	1024
1111	1024

MSC	Bit 7	Multiple sample and conversion. Valid only for sequence or repeated modes. 0 The sampling timer requires a rising edge of the SHI signal to trigger each sample-and-conversion. 1 The first rising edge of the SHI signal triggers the sampling timer, but further sample-and-conversions are performed automatically as soon as the prior conversion is completed.
REF2_5V	Bit 6	Reference generator voltage. REFON must also be set. 0 1.5 V 1 2.5 V
REFON	Bit 5	Reference generator on 0 Reference off 1 Reference on
ADC12ON	Bit 4	ADC12 on 0 ADC12 off 1 ADC12 on
ADC12OVIE	Bit 3	ADC12MEMx overflow-interrupt enable. The GIE bit must also be set to enable the interrupt. 0 Overflow interrupt disabled 1 Overflow interrupt enabled
ADC12TOVIE	Bit 2	ADC12 conversion-time-overflow interrupt enable. The GIE bit must also be set to enable the interrupt. 0 Conversion time overflow interrupt disabled 1 Conversion time overflow interrupt enabled
ENC	Bit 1	Enable conversion 0 ADC12 disabled 1 ADC12 enabled
ADC12SC	Bit 0	Start conversion. Software-controlled sample-and-conversion start. ADC12SC and ENC may be set together with one instruction. ADC12SC is reset automatically. 0 No sample-and-conversion-start 1 Start sample-and-conversion

ADC12CTL1, ADC12 Control Register 1

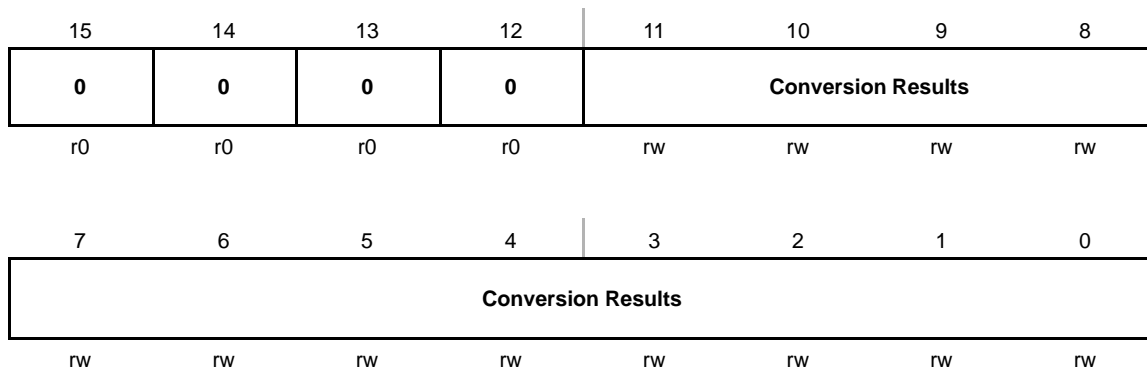


Modifiable only when ENC = 0

CSTART ADDx	Bits 15-12	Conversion start address. These bits select which ADC12 conversion-memory register is used for a single conversion or for the first conversion in a sequence. The value of CSTARTADDx is 0 to 0Fh, corresponding to ADC12MEM0 to ADC12MEM15.
SHSx	Bits 11-10	Sample-and-hold source select 00 ADC12SC bit 01 Timer_A.OUT1 10 Timer_B.OUT0 11 Timer_B.OUT1
SHP	Bit 9	Sample-and-hold pulse-mode select. This bit selects the source of the sampling signal (SAMPCON) to be either the output of the sampling timer or the sample-input signal directly. 0 SAMPCON signal is sourced from the sample-input signal. 1 SAMPCON signal is sourced from the sampling timer.
ISSH	Bit 8	Invert signal sample-and-hold 0 The sample-input signal is not inverted. 1 The sample-input signal is inverted.
ADC12DIVx	Bits 7-5	ADC12 clock divider 000 /1 001 /2 010 /3 011 /4 100 /5 101 /6 110 /7 111 /8

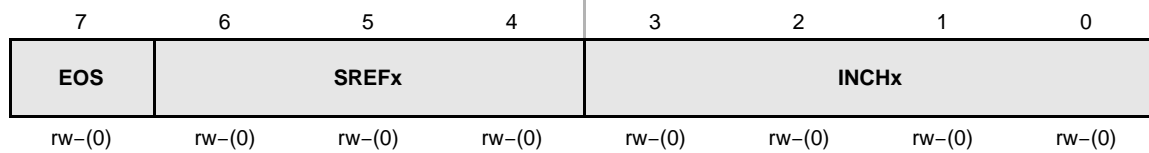
ADC12 SSELx	Bits 4-3	ADC12 clock source select 00 ADC12OSC 01 ACLK 10 MCLK 11 SMCLK
CONSEQx	Bits 2-1	Conversion sequence mode select 00 Single-channel, single-conversion 01 Sequence-of-channels 10 Repeat-single-channel 11 Repeat-sequence-of-channels
ADC12 BUSY	Bit 0	ADC12 busy. This bit indicates an active sample or conversion operation. 0 No operation is active. 1 A sequence, sample, or conversion is active.

ADC12MEMx, ADC12 Conversion Memory Registers



Conversion Results Bits 15-0 The 12-bit conversion results are right-justified. Bit 11 is the MSB. Bits 15-12 are always 0. Writing to the conversion memory registers will corrupt the results.

ADC12MCTLx, ADC12 Conversion Memory Control Registers



Modifiable only when ENC = 0

EOS	Bit 7	End of sequence. Indicates the last conversion in a sequence. 0 Not end of sequence 1 End of sequence
SREFx	Bits 6-4	Select reference 000 $V_{R+} = AV_{CC}$ and $V_{R-} = AV_{SS}$ 001 $V_{R+} = V_{REF+}$ and $V_{R-} = AV_{SS}$ 010 $V_{R+} = V_{eREF+}$ and $V_{R-} = AV_{SS}$ 011 $V_{R+} = V_{eREF+}$ and $V_{R-} = AV_{SS}$ 100 $V_{R+} = AV_{CC}$ and $V_{R-} = V_{REF-} / V_{eREF-}$ 101 $V_{R+} = V_{REF+}$ and $V_{R-} = V_{REF-} / V_{eREF-}$ 110 $V_{R+} = V_{eREF+}$ and $V_{R-} = V_{REF-} / V_{eREF-}$ 111 $V_{R+} = V_{eREF+}$ and $V_{R-} = V_{REF-} / V_{eREF-}$
INCHx	Bits 3-0	Input channel select 0000 A0 0001 A1 0010 A2 0011 A3 0100 A4 0101 A5 0110 A6 0111 A7 1000 V_{eREF+} 1001 V_{REF-} / V_{eREF-} 1010 Temperature sensor 1011 $(AV_{CC} - AV_{SS}) / 2$ 1100 $(AV_{CC} - AV_{SS}) / 2$, A12 on 'FG43x and 'FG461x devices 1101 $(AV_{CC} - AV_{SS}) / 2$, A13 on 'FG43x and 'FG461x devices 1110 $(AV_{CC} - AV_{SS}) / 2$, A14 on 'FG43x and 'FG461x devices 1111 $(AV_{CC} - AV_{SS}) / 2$, A15 on 'FG43x and 'FG461x devices

ADC12IE, ADC12 Interrupt Enable Register

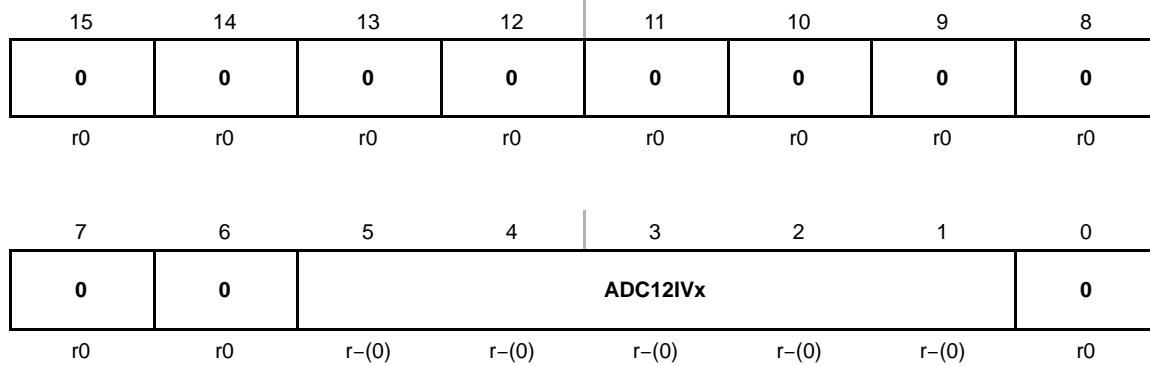
15	14	13	12	11	10	9	8
ADC12IE15	ADC12IE14	ADC12IE13	ADC12IE12	ADC12IE11	ADC12IE10	ADC12IE9	ADC12IE8
rw-(0)	rw-(0)	rw-(0)	rw-(0)	rw-(0)	rw-(0)	rw-(0)	rw-(0)
7	6	5	4	3	2	1	0
ADC12IE7	ADC12IE6	ADC12IE5	ADC12IE4	ADC12IE3	ADC12IE2	ADC12IE1	ADC12IE0
rw-(0)	rw-(0)	rw-(0)	rw-(0)	rw-(0)	rw-(0)	rw-(0)	rw-(0)

ADC12IE_x Bits 15-0 Interrupt enable. These bits enable or disable the interrupt request for the ADC12IFG_x bits.
 0 Interrupt disabled
 1 Interrupt enabled

ADC12IFG, ADC12 Interrupt Flag Register

15	14	13	12	11	10	9	8
ADC12IFG15	ADC12IFG14	ADC12IFG13	ADC12IFG12	ADC12IFG11	ADC12IFG10	ADC12IFG9	ADC12IFG8
rw-(0)	rw-(0)	rw-(0)	rw-(0)	rw-(0)	rw-(0)	rw-(0)	rw-(0)
7	6	5	4	3	2	1	0
ADC12IFG7	ADC12IFG6	ADC12IFG5	ADC12IFG4	ADC12IFG3	ADC12IFG2	ADC12IFG1	ADC12IFG0
rw-(0)	rw-(0)	rw-(0)	rw-(0)	rw-(0)	rw-(0)	rw-(0)	rw-(0)

ADC12IFG_x Bits 15-0 ADC12MEM_x Interrupt flag. These bits are set when corresponding ADC12MEM_x is loaded with a conversion result. The ADC12IFG_x bits are reset if the corresponding ADC12MEM_x is accessed, or may be reset with software.
 0 No interrupt pending
 1 Interrupt pending

ADC12IV, ADC12 Interrupt Vector Register

ADC12IVx Bits ADC12 interrupt vector value
 15-0

ADC12IV Contents	Interrupt Source	Interrupt Flag	Interrupt Priority
000h	No interrupt pending	–	
002h	ADC12MEMx overflow	–	Highest
004h	Conversion time overflow	–	
006h	ADC12MEM0 interrupt flag	ADC12IFG0	
008h	ADC12MEM1 interrupt flag	ADC12IFG1	
00Ah	ADC12MEM2 interrupt flag	ADC12IFG2	
00Ch	ADC12MEM3 interrupt flag	ADC12IFG3	
00Eh	ADC12MEM4 interrupt flag	ADC12IFG4	
010h	ADC12MEM5 interrupt flag	ADC12IFG5	
012h	ADC12MEM6 interrupt flag	ADC12IFG6	
014h	ADC12MEM7 interrupt flag	ADC12IFG7	
016h	ADC12MEM8 interrupt flag	ADC12IFG8	
018h	ADC12MEM9 interrupt flag	ADC12IFG9	
01Ah	ADC12MEM10 interrupt flag	ADC12IFG10	
01Ch	ADC12MEM11 interrupt flag	ADC12IFG11	
01Eh	ADC12MEM12 interrupt flag	ADC12IFG12	
020h	ADC12MEM13 interrupt flag	ADC12IFG13	
022h	ADC12MEM14 interrupt flag	ADC12IFG14	
024h	ADC12MEM15 interrupt flag	ADC12IFG15	Lowest



SD16

The SD16 module is a multichannel 16-bit sigma-delta analog-to-digital converter. This chapter describes the SD16 of the MSP430x4xx family. The SD16 module is implemented in the MSP430F42x, MSP430F42xA, MSP430FE42x, MSP430FE42xA, and MSP430FE42x2 devices.

Topic	Page
29.1 SD16 Introduction	29-2
29.2 SD16 Operation	29-4
29.3 SD16 Registers	29-19

29.1 SD16 Introduction

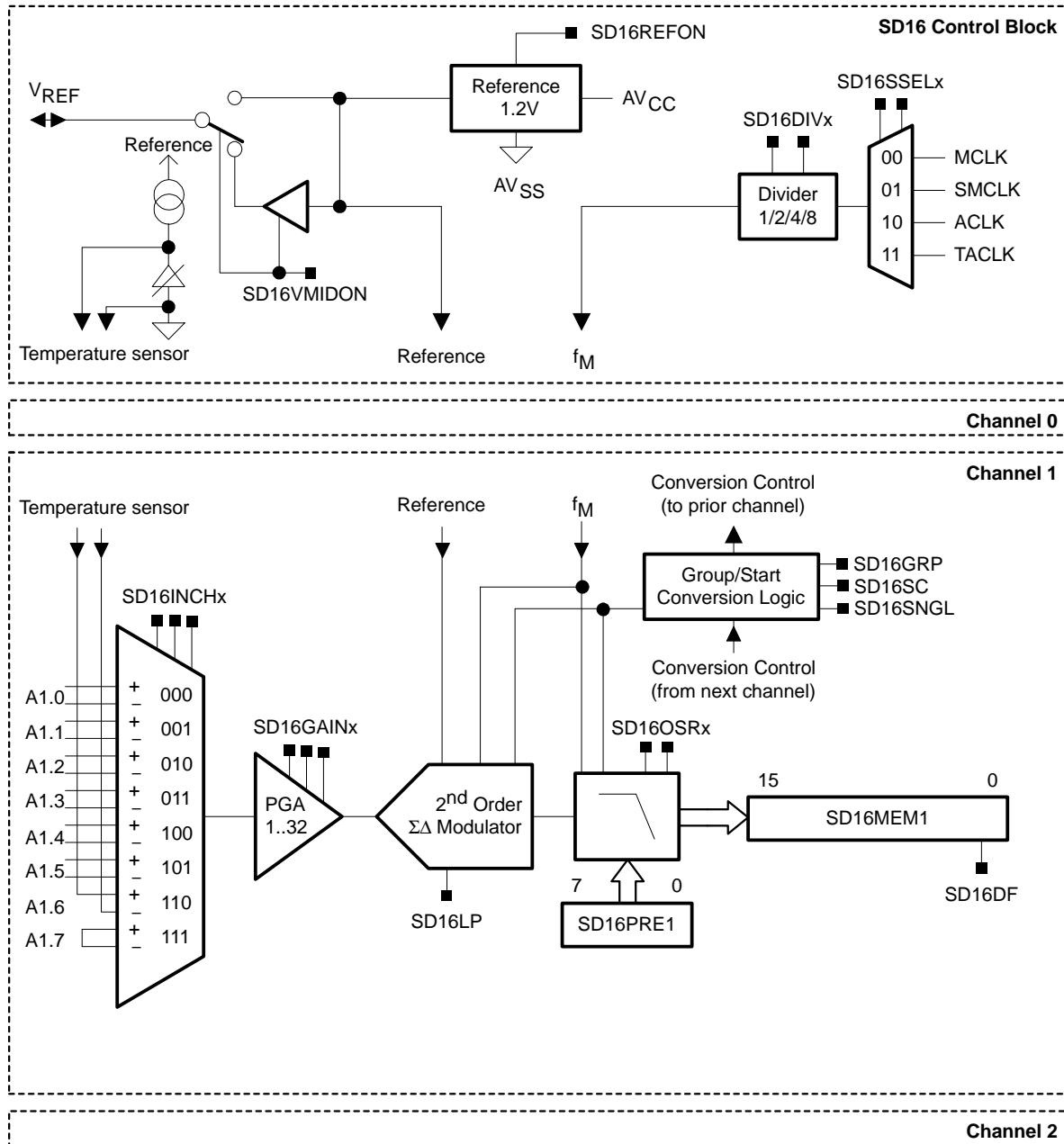
The SD16 module consists of up to three independent sigma-delta analog-to-digital converters and an internal voltage reference. Each channel has up to 8 fully differential multiplexed analog input pairs including a built-in temperature sensor. The converters are based on second-order oversampling sigma-delta modulators and digital decimation filters. The decimation filters are comb type filters with selectable oversampling ratios of up to 256. Additional filtering can be done in software.

Features of the SD16 include:

- 16-bit sigma-delta architecture
- Up to three independent, simultaneously sampling ADC channels
(The number of channels is device dependent, see the device-specific data sheet.)
- Up to eight multiplexed differential analog inputs per channel
(The number of inputs is device dependent, see the device-specific data sheet.)
- Software selectable on-chip reference voltage generation (1.2 V)
- Software selectable internal or external reference
- Built-in temperature sensor accessible by all channels
- Up to 1.048576-MHz modulator input frequency
- Selectable low-power conversion mode

The block diagram of the SD16 module is shown in Figure 29–1.

Figure 29-1. SD16 Block Diagram



29.2 SD16 Operation

The SD16 module is configured with user software. The setup and operation of the SD16 is discussed in the following sections.

29.2.1 ADC Core

The analog-to-digital conversion is performed by a 1-bit, second-order sigma-delta modulator. A single-bit comparator within the modulator quantizes the input signal with the modulator frequency f_M . The resulting 1-bit data stream is averaged by the digital filter for the conversion result.

29.2.2 Analog Input Range and PGA

The full-scale input voltage range for each analog input pair is dependent on the gain setting of the programmable gain amplifier of each channel. The maximum full-scale range is $\pm V_{FSR}$ where V_{FSR} is defined by:

$$V_{FSR} = \frac{V_{REF}/2}{GAIN_{PGA}}$$

For a 1.2V reference, the maximum full-scale input range for a gain of 1 is:

$$\pm V_{FSR} = \frac{1.2V/2}{1} = \pm 0.6 V$$

Refer to the device-specific data sheet for full-scale input specifications.

29.2.3 Voltage Reference Generator

The SD16 module has a built-in 1.2V reference that can be used for each SD16 channel and is enabled by the SD16REFON bit. When using the internal reference an external 100nF capacitor connected from V_{REF} to AV_{SS} is recommended to reduce noise. The internal reference voltage can be used off-chip when SD16VMIDON = 1. The buffered output can provide up to 1mA of drive. When using the internal reference off-chip, a 470nF capacitor connected from V_{REF} to AV_{SS} is required. See device-specific data sheet for parameters.

An external voltage reference can be applied to the V_{REF} input when SD16REFON and SD16VMIDON are both reset.

29.2.4 Auto Power-Down

The SD16 is designed for low power applications. When the SD16 is not actively converting, it is automatically disabled and automatically re-enabled when a conversion is started. The reference is not automatically disabled, but can be disabled by setting SD16REFON = 0. When the SD16 or reference are disabled, they consume no current.

29.2.5 Analog Input Pair Selection

Each SD16 channel can convert up to 8 differential input pairs multiplexed into the PGA. Up to six input pairs (A0-A5) are available externally on the device. See the device-specific data sheet for analog input pin information. An internal temperature sensor is available to each channel using the A6 multiplexer input.

Input A7 is a shorted connection between the + and – input pair and can be used to calibrate the offset of each SD16 input stage. Note that the measured offset depends on the impedance of the external circuitry; thus, the actual offset seen at any of the analog inputs may be different.

Analog Input Setup

The analog input of each channel is configured using the SD16INCTLx register. These settings can be independently configured for each SD16 channel.

The SD16INCHx bits select one of eight differential input pairs of the analog multiplexer. The gain for each PGA is selected by the SD16GAINx bits. A total of six gain settings are available.

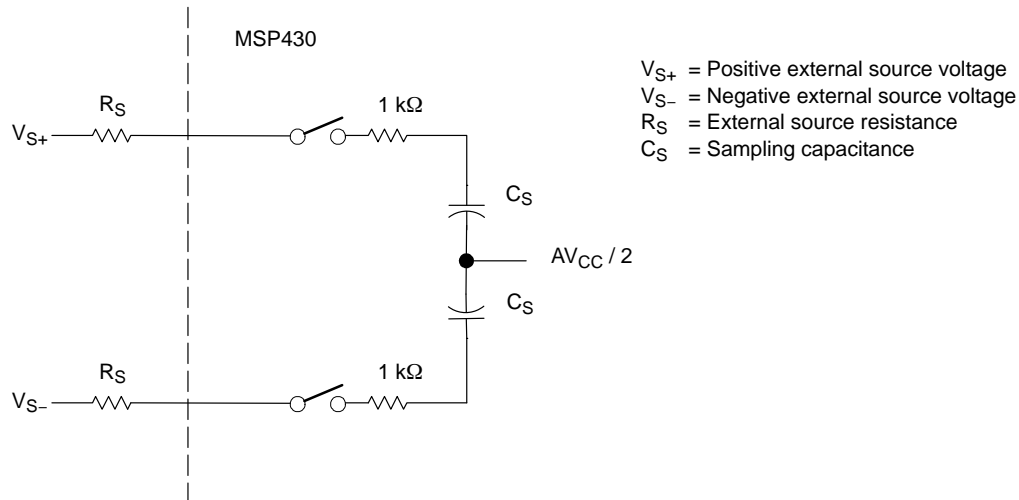
During conversion any modification to the SD16INCHx and SD16GAINx bits will become effective with the next decimation step of the digital filter. After these bits are modified, the next three conversions may be invalid due to the settling time of the digital filter. This can be handled automatically with the SD16INTDLYx bits. When SD16INTDLY = 00h, conversion interrupt requests will not begin until the 4th conversion after a start condition.

An external RC anti-aliasing filter is recommended for the SD16 to prevent aliasing of the input signal. The cutoff frequency should be < 10 kHz for a 1-MHz modulator clock and OSR = 256. The cutoff frequency may set to a lower frequency for applications that have lower bandwidth requirements.

29.2.6 Analog Input Characteristics

The SD16 uses a switched-capacitor input stage that appears as an impedance to external circuitry as shown in Figure 29–2.

Figure 29–2. Analog Input Equivalent Circuit



The maximum modulator frequency f_M may be calculated from the minimum settling time $t_{Settling}$ of the sampling circuit given by:

$$t_{Settling} \geq (R_S + 1k\Omega) \times C_S \times \ln\left(\frac{GAIN \times 2^{17} \times V_{Ax}}{V_{REF}}\right)$$

where

$$f_M = \frac{1}{2 \times t_{Settling}} \text{ and } V_{Ax} = \max\left(\left|\frac{AV_{CC}}{2} - V_{S+}\right|, \left|\frac{AV_{CC}}{2} - V_{S-}\right|\right),$$

with V_{S+} and V_{S-} referenced to AV_{SS} .

C_S varies with the gain setting as shown in Table 29–1.

Table 29–1. Sampling Capacitance

PGA Gain	Sampling Capacitance C_S
1	1.25 pF
2, 4	2.5 pF
8	5 pF
16, 32	10 pF

29.2.7 Digital Filter

The digital filter processes the 1-bit data stream from the modulator using a SINC³ comb filter. The transfer function is described in the z-Domain by:

$$H(z) = \left(\frac{1}{OSR} \times \frac{1 - z^{-OSR}}{1 - z^{-1}} \right)^3$$

and in the frequency domain by:

$$H(f) = \left[\frac{\text{sinc}\left(OSR\pi\frac{f}{f_M}\right)}{\text{sinc}\left(\pi\frac{f}{f_M}\right)} \right]^3 = \left[\frac{1}{OSR} \times \frac{\sin\left(OSR \times \pi \times \frac{f}{f_M}\right)}{\sin\left(\pi \times \frac{f}{f_M}\right)} \right]^3$$

where the oversampling rate, OSR, is the ratio of the modulator frequency f_M to the sample frequency f_S . Figure 29–3 shows the filter's frequency response for an OSR of 32. The first filter notch is at $f_S = f_M/OSR$. The notch frequency can be adjusted by changing the modulator frequency, f_M , using SD16SSELx and SD16DIVx and the oversampling rate using SD16OSRx.

The digital filter for each enabled ADC channel completes the decimation of the digital bit-stream and outputs new conversion results to the corresponding SD16MEMx register at the sample frequency f_S .

Figure 29–3. Comb Filter's Frequency Response with OSR = 32

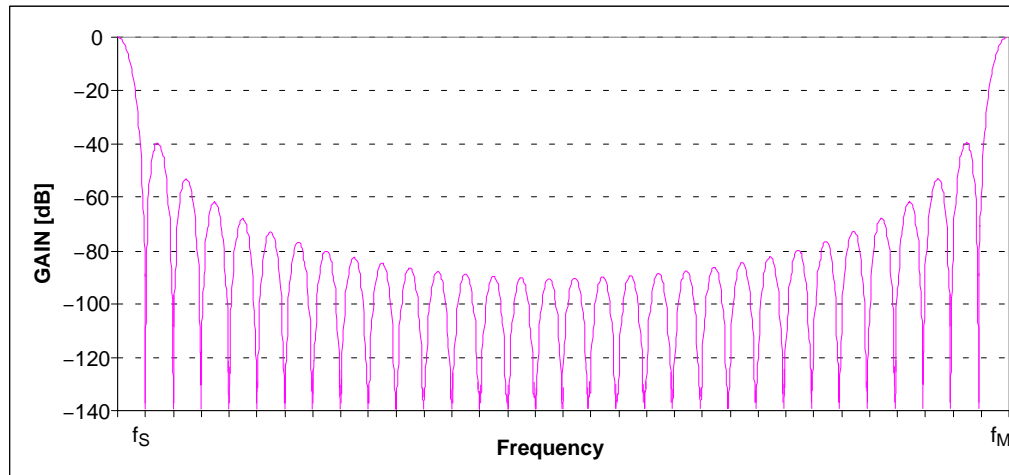
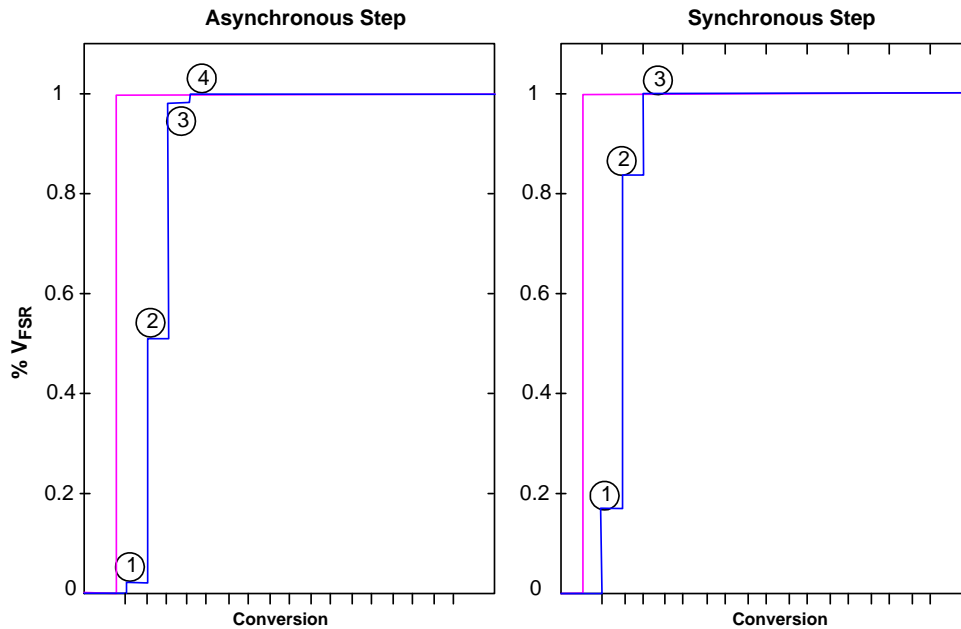


Figure 29–4 shows the digital filter step response and conversion points. For step changes at the input after start of conversion a settling time must be allowed before a valid conversion result is available. The SD16INTDLYx bits can provide sufficient filter settling time for a full-scale change at the ADC input. If the step occurs synchronously to the decimation of the digital filter the valid data will be available on the third conversion. An asynchronous step will require one additional conversion before valid data is available.

Figure 29–4. Digital Filter Step Response and Conversion Points



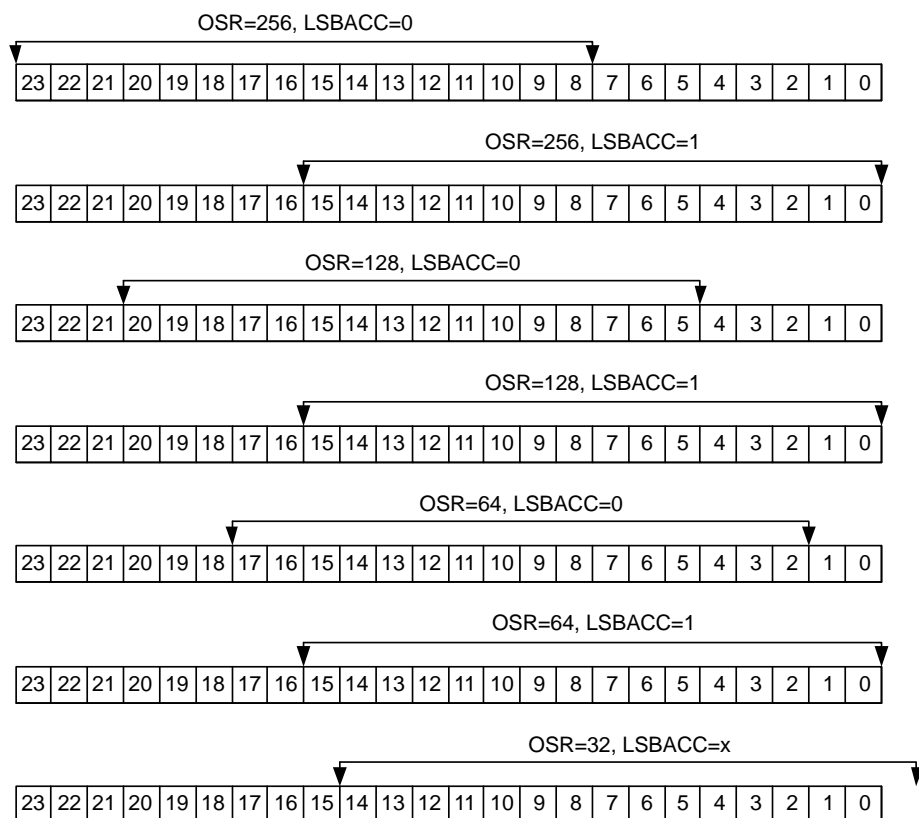
Digital Filter Output

The number of bits output by each digital filter is dependent on the oversampling ratio and ranges from 16 to 24 bits. Figure 29–5 shows the digital filter output bits and their relation to SD16MEMx for each OSR. For example, for OSR = 256 and LSBACC = 0, the SD16MEMx register contains bits 23 – 8 of the digital filter output. When OSR = 32, the SD16MEMx LSB is always zero.

The SD16LSBACC and SD16LSBTOG bits give access to the least significant bits of the digital filter output. When SD16LSBACC = 1 the 16 least significant bits of the digital filter's output are read from SD16MEMx using word instructions. The SD16MEMx register can also be accessed with byte instructions returning only the 8 least significant bits of the digital filter output.

When SD16LSBTOG = 1 the SD16LSBACC bit is automatically toggled each time the corresponding channel's SD16MEMx register is read. This allows the complete digital filter output result to be read with two read accesses of SD16MEMx. Setting or clearing SD16LSBTOG does not change SD16LSBACC until the next SD16MEMx access.

Figure 29–5. Used Bits of Digital Filter Output.



29.2.8 Conversion Memory Registers: SD16MEMx

One SD16MEMx register is associated with each SD16 channel. Conversion results for each channel are moved to the corresponding SD16MEMx register with each decimation step of the digital filter. The SD16IFG bit for a given channel is set when new data is written to SD16MEMx. SD16IFG is automatically cleared when SD16MEMx is read by the CPU or may be cleared with software.

Output Data Format

The output data format is configurable in two's complement or offset binary as shown in Table 29–2. The data format is selected by the SD16DF bit.

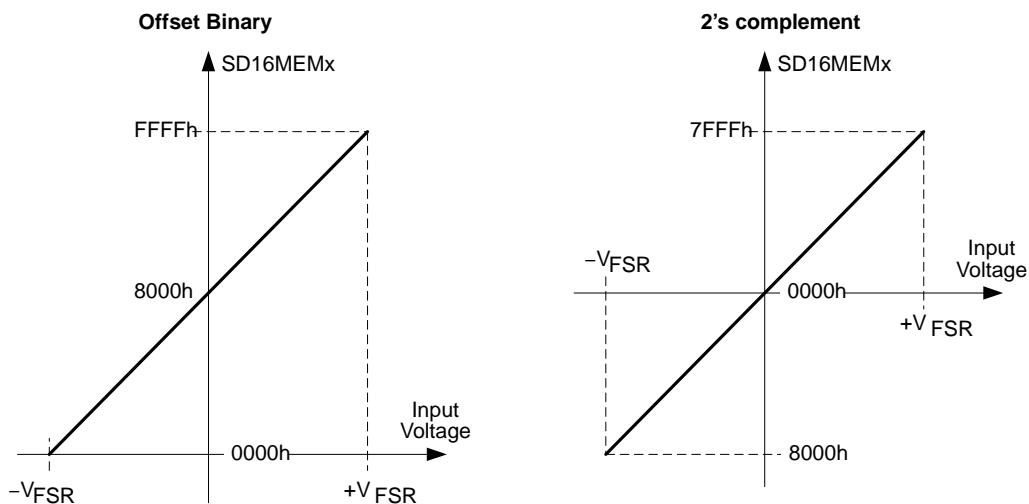
Table 29–2. Data Format

SD16DF	Format	Analog Input	SD16MEMx [†]	Digital Filter Output (OSR = 256)
0	Offset Binary	+FSR	FFFF	FFFFFF
		ZERO	8000	800000
		-FSR	0000	000000
1	Two's complement	+FSR	7FFF	7FFFFFF
		ZERO	0000	000000
		-FSR	8000	800000

[†] Independent of SD16OSRx setting; SD16LSBACC = 0.

Figure 29–6 shows the relationship between the full-scale input voltage range from $-V_{FSR}$ to $+V_{FSR}$ and the conversion result. The digital values for both data formats are illustrated.

Figure 29–6. Input Voltage vs Digital Output



29.2.9 Conversion Modes

The SD16 module can be configured for four modes of operation, listed in Table 29–3. The SD16SNGL and SD16GRP bits for each channel selects the conversion mode.

Table 29–3. Conversion Mode Summary

SD16SNGL	SD16GRP†	Mode	Operation
1	0	Single channel, Single conversion	A single channel is converted once.
0	0	Single channel, Continuous conversion	A single channel is converted continuously.
1	1	Group of channels, Single conversion	A group of channels is converted once.
0	1	Group of channels, Continuous conversion	A group of channels is converted continuously.

† A channel is grouped and is the master channel of the group when SD16GRP = 0 if SD16GRP for the prior channel(s) is set.

Single Channel, Single Conversion

Setting the SD16SC bit of a channel initiates one conversion on that channel when SD16SNGL = 1 and it is not grouped with any other channels. The SD16SC bit is automatically cleared after conversion completion.

Clearing SD16SC before the conversion is completed immediately stops conversion of the selected channel, the channel is powered down, and the corresponding digital filter is turned off. The value in SD16MEMx can change when SD16SC is cleared. It is recommended that the conversion data in SD16MEMx be read prior to clearing SD16SC to avoid reading an invalid result.

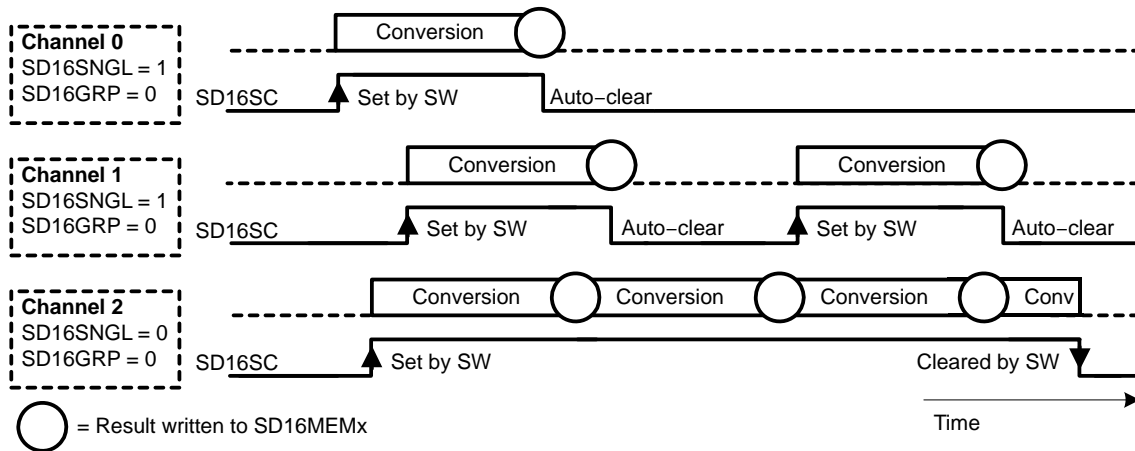
Single Channel, Continuous Conversion

When SD16SNGL = 0, continuous conversion mode is selected. Conversion of the selected channel begins when SD16SC is set and continues until the SD16SC bit is cleared by software when the channel is not grouped with any other channel.

Clearing SD16SC immediately stops conversion of the selected channel, the channel is powered down and the corresponding digital filter is turned off. The value in SD16MEMx can change when SD16SC is cleared. It is recommended that the conversion data in SD16MEMx be read prior to clearing SD16SC to avoid reading an invalid result.

Figure 29–7 shows single channel operation for single conversion mode and continuous conversion mode.

Figure 29–7. Single Channel Operation – Example



Group of Channels, Single Conversion

Consecutive SD16 channels can be grouped together with the SD16GRP bit to synchronize conversions. Setting SD16GRP for a channel groups that channel with the next channel in the module. For example, setting SD16GRP for channel 0 groups that channel with channel 1. In this case, channel 1 is the master channel, enabling and disabling conversion of all channels in the group with its SD16SC bit. The SD16GRP bit of the master channel is always 0. The SD16GRP bit of last channel in SD16 has no function and is always 0.

When SD16SNGL = 1 for a channel in a group, single conversion mode is selected. A single conversion of that channel will occur synchronously when the master channel SD16SC bit is set. The SD16SC bit of all channels in the group will automatically be set and cleared by SD16SC of the master channel. SD16SC for each channel can also be cleared in software independently.

Clearing SD16SC of the master channel before the conversions are completed immediately stops conversions of all channels in the group, the channels are powered down and the corresponding digital filters are turned off. Values in SD16MEMx can change when SD16SC is cleared. It is recommended that the conversion data in SD16MEMx be read prior to clearing SD16SC to avoid reading an invalid result.

Group of Channels, Continuous Conversion

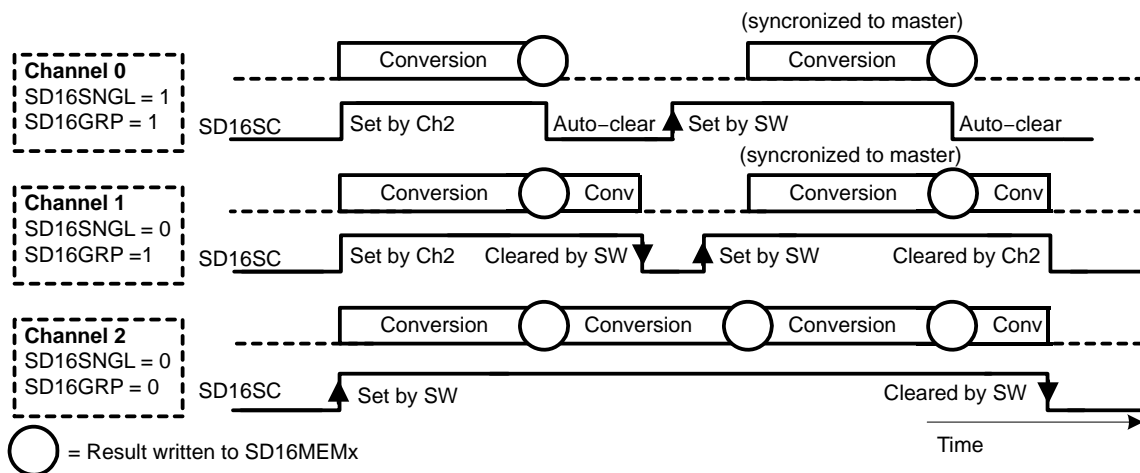
When $SD16SNGL = 0$ for a channel in a group, continuous conversion mode is selected. Continuous conversion of that channel occurs synchronously when the master channel $SD16SC$ bit is set. $SD16SC$ bits for all grouped channels are automatically set and cleared with the master channel's $SD16SC$ bit. $SD16SC$ for each channel in the group can also be cleared in software independently.

When $SD16SC$ of a grouped channel is set by software independently of the master, conversion of that channel automatically synchronizes to conversions of the master channel. This ensures that conversions for grouped channels are always synchronous to the master.

Clearing $SD16SC$ of the master channel immediately stops conversions of all channels in the group the channels are powered down and the corresponding digital filters are turned off. Values in $SD16MEMx$ can change when $SD16SC$ is cleared. It is recommended that the conversion data in $SD16MEMx$ be read prior to clearing $SD16SC$ to avoid reading an invalid result.

Figure 29–8 shows grouped channel operation for three SD16 channels. Channel 0 is configured for single conversion mode, $SD16SNGL = 1$, and channels 1 and 2 are in continuous conversion mode, $SD16SNGL = 0$. Channel two, the last channel in the group, is the master channel. Conversions of all channels in the group occur synchronously to the master channel regardless of when each $SD16SC$ bit is set using software.

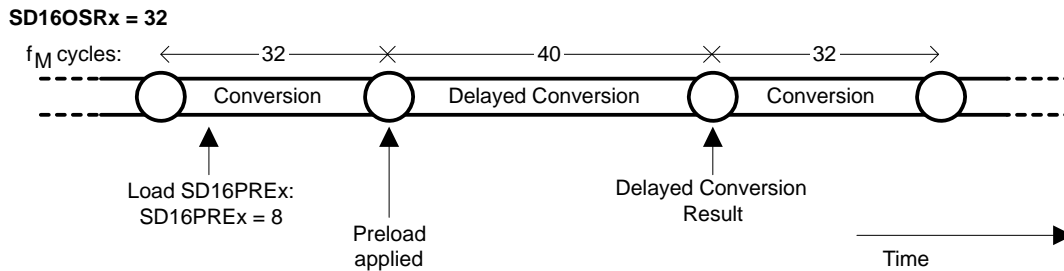
Figure 29–8. Grouped Channel Operation – Example



29.2.10 Conversion Operation Using Preload

When multiple channels are grouped the SD16PREx registers can be used to delay the conversion time frame for each channel. Using SD16PREx, the decimation time of the digital filter is increased by the specified number of f_M clock cycles and can range from 0 to 255. Figure 29–9 shows an example using SD16PREx.

Figure 29–9. Conversion Delay using Preload – Example



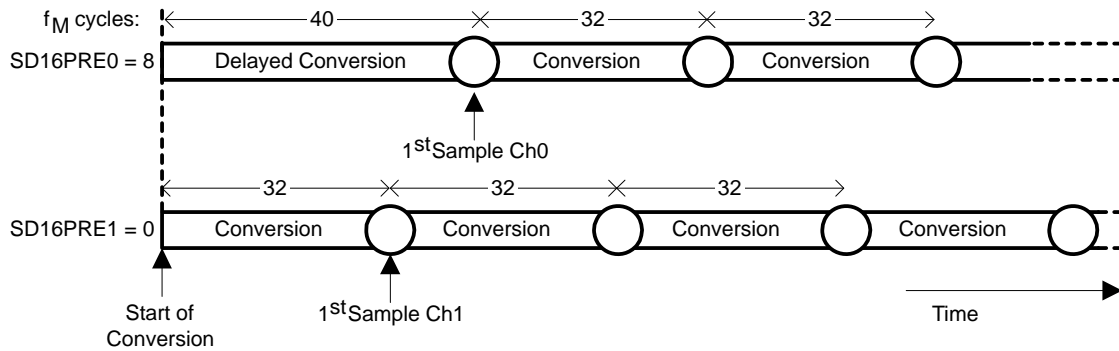
The SD16PREx delay is applied to the beginning of the next conversion cycle after being written. The delay is used on the first conversion after SD16SC is set and on the conversion cycle following each write to SD16PREx. Following conversions are not delayed. After modifying SD16PREx, the next write to SD16PREx should not occur until the next conversion cycle is completed, otherwise the conversion results may be incorrect.

The accuracy of the result for the delayed conversion cycle using SD16PREx is dependent on the length of the delay and the frequency of the analog signal being sampled. For example, when measuring a DC signal, SD16PREx delay has no effect on the conversion result regardless of the duration. The user must determine when the delayed conversion result is useful in their application.

Figure 29–10 shows the operation of grouped channels 0 and 1. The preload register of channel 1 is loaded with zero resulting in immediate conversion whereas the conversion cycle of channel 0 is delayed by setting SD16PRE0 = 8. The first channel 0 conversion uses SD16PREx = 8, shifting all subsequent conversions by $8 f_M$ clock cycles.

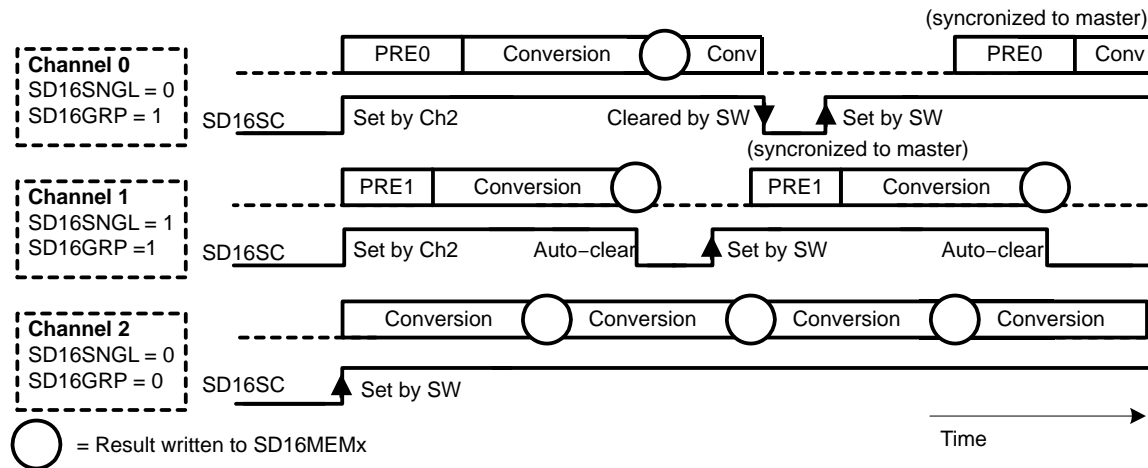
Figure 29–10. Start of Conversion using Preload – Example

SD16OSRx = 32



When channels are grouped, care must be taken when a channel or channels operate in single conversion mode or are disabled in software while the master channel remains active. Each time channels in the group are re-enabled and resynchronized with the master channel, the preload delay for that channel will be reintroduced. Figure 29–11 shows the re-synchronization and preload delays for channels in a group. It is recommended that SD16PREx = 0 for the master channel to maintain a consistent delay between the master and remaining channels in the group when they are re-enabled.

Figure 29–11. Preload and Channel Synchronization



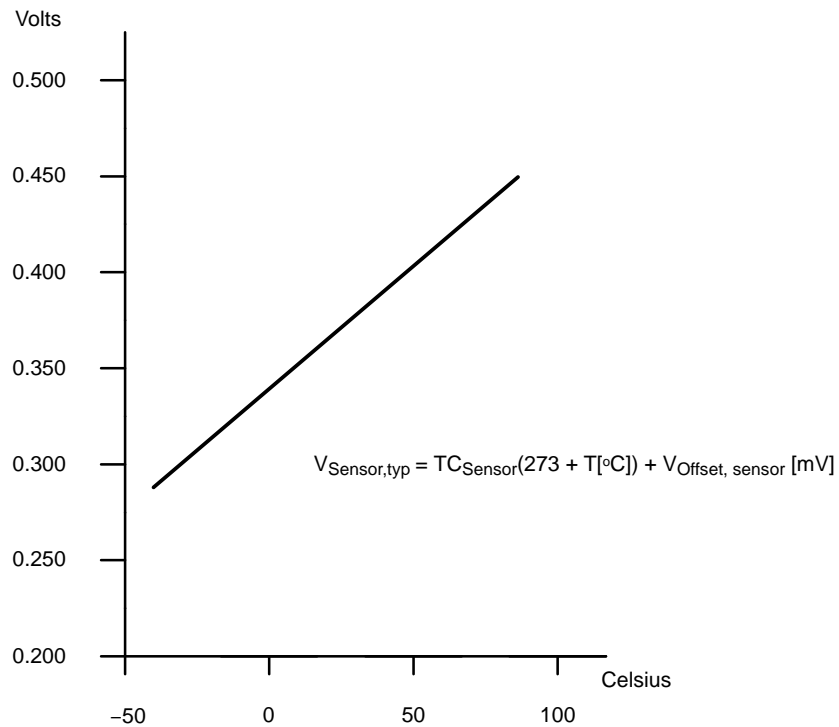
○ = Result written to SD16MEMx

29.2.11 Using the Integrated Temperature Sensor

To use the on-chip temperature sensor, the user selects the analog input pair SD16INCHx = 110 and sets SD16REFON = 1. Any other configuration is done as if an external analog input pair was selected, including SD16INTDLYx and SD16GAINx settings. Because the internal reference must be on to use the temperature sensor, it is not possible to use an external reference for the conversion of the temperature sensor voltage. Also, the internal reference will be in contention with any used external reference. In this case, the SD16VMIDON bit may be set to minimize the affects of the contention on the conversion.

The typical temperature sensor transfer function is shown in Figure 29–12. When switching inputs of an SD16 channel to the temperature sensor, adequate delay must be provided using SD16INTDLYx to allow the digital filter to settle and assure that conversion results are valid. The temperature sensor offset error can be large, and may need to be calibrated for most applications. See device-specific data sheet for temperature sensor parameters.

Figure 29–12. Typical Temperature Sensor Transfer Function



29.2.12 Interrupt Handling

The SD16 has 2 interrupt sources for each ADC channel:

- SD16IFG
- SD16OVIFG

The SD16IFG bits are set when their corresponding SD16MEMx memory register is written with a conversion result. An interrupt request is generated if the corresponding SD16IE bit and the GIE bit are set. The SD16 overflow condition occurs when a conversion result is written to any SD16MEMx location before the previous conversion result was read.

SD16IV, Interrupt Vector Generator

All SD16 interrupt sources are prioritized and combined to source a single interrupt vector. SD16IV is used to determine which enabled SD16 interrupt source requested an interrupt. The highest priority SD16 interrupt request that is enabled generates a number in the SD16IV register (see register description). This number can be evaluated or added to the program counter to automatically enter the appropriate software routine. Disabled SD16 interrupts do not affect the SD16IV value.

Any access, read or write, of the SD16IV register has no effect on the SD16OVIFG or SD16IFG flags. The SD16IFG flags are reset by reading the associated SD16MEMx register or by clearing the flags in software. SD16OVIFG bits can only be reset with software.

If another interrupt is pending after servicing of an interrupt, another interrupt is generated. For example, if the SD16OVIFG and one or more SD16IFG interrupts are pending when the interrupt service routine accesses the SD16IV register, the SD16OVIFG interrupt condition is serviced first and the corresponding flag(s) must be cleared in software. After the RETI instruction of the interrupt service routine is executed, the highest priority SD16IFG pending generates another interrupt request.

Interrupt Delay Operation

The SD16INTDLYx bits control the timing for the first interrupt service request for the corresponding channel. This feature delays the interrupt request for a completed conversion by up to four conversion cycles allowing the digital filter to settle prior to generating an interrupt request. The delay is applied each time the SD16SC bit is set or when the SD16GAINx or SD16INCHx bits for the channel are modified. SD16INTDLYx disables overflow interrupt generation for the channel for the selected number of delay cycles. Interrupt requests for the delayed conversions are not generated during the delay.

SD16 Interrupt Handling Software Example

The following software example shows the recommended use of SD16IV and the handling overhead. The SD16IV value is added to the PC to automatically jump to the appropriate routine.

The numbers at the right margin show the necessary CPU cycles for each instruction. The software overhead for different interrupt sources includes interrupt latency and return-from-interrupt cycles, but not the task handling itself. The latencies are:

- SD16OVIFG, CH0 SD16IFG, CH1 SD16IFG 16 cycles
- CH2 SD16IFG 14 cycles

The interrupt handler for channel 2 SD16IFG shows a way to check immediately if a higher prioritized interrupt occurred during the processing of the ISR. This saves nine cycles if another SD16 interrupt is pending.

```

; Interrupt handler for SD16.
INT_SD16          ; Enter Interrupt Service Routine      6
  ADD  &SD16IV,PC; Add offset to PC                    3
  RETI          ; Vector 0: No interrupt                5
  JMP  ADOV     ; Vector 2: ADC overflow                2
  JMP  ADM0     ; Vector 4: CH_0 SD16IFG               2
  JMP  ADM1     ; Vector 6: CH_1 SD16IFG               2
;
; Handler for CH_2 SD16IFG starts here. No JMP required.
;
ADM2  MOV  &SD16MEM2,xxx ; Move result, flag is reset
      ...          ; Other instruction needed?
      JMP  INT_SD16     ; Check other int pending      2
;
; Remaining Handlers
;
ADM1  MOV  &SD16MEM1,xxx ; Move result, flag is reset
      ...          ; Other instruction needed?
      RETI          ; Return                            5
;
ADM0  MOV  &SD16MEM0,xxx ; Move result, flag is reset
      RETI          ; Return                            5
;
ADOV  ...          ; Handle SD16MEMx overflow
      RETI          ; Return                            5

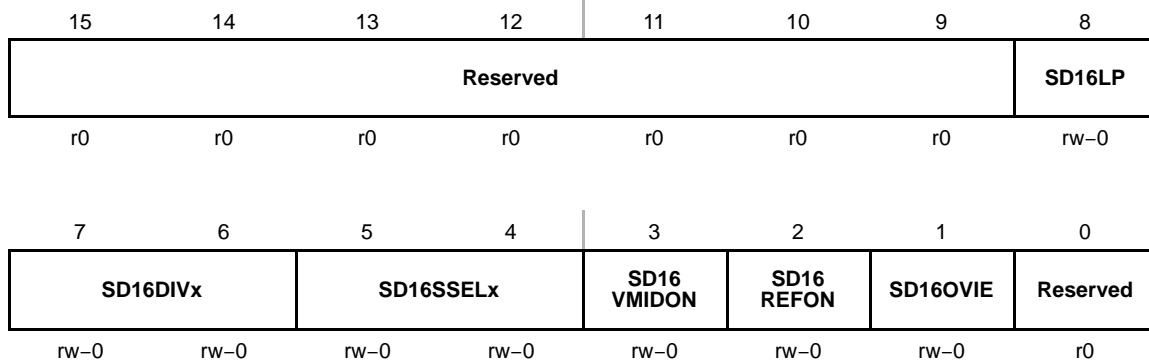
```


29.3 SD16 Registers

The SD16 registers are listed in Table 29–4:

Table 29–4. SD16 Registers

Register	Short Form	Register Type	Address	Initial State
SD16 Control	SD16CTL	Read/write	0100h	Reset with PUC
SD16 Interrupt Vector	SD16IV	Read/write	0110h	Reset with PUC
SD16 Channel 0 Control	SD16CCTL0	Read/write	0102h	Reset with PUC
SD16 Channel 0 Conversion Memory	SD16MEM0	Read/write	0112h	Reset with PUC
SD16 Channel 0 Input Control	SD16INCTL0	Read/write	0B0h	Reset with PUC
SD16 Channel 0 Preload	SD16PRE0	Read/write	0B8h	Reset with PUC
SD16 Channel 1 Control	SD16CCTL1	Read/write	0104h	Reset with PUC
SD16 Channel 1 Conversion Memory	SD16MEM1	Read/write	0114h	Reset with PUC
SD16 Channel 1 Input Control	SD16INCTL1	Read/write	0B1h	Reset with PUC
SD16 Channel 1 Preload	SD16PRE1	Read/write	0B9h	Reset with PUC
SD16 Channel 2 Control	SD16CCTL2	Read/write	0106h	Reset with PUC
SD16 Channel 2 Conversion Memory	SD16MEM2	Read/write	0116h	Reset with PUC
SD16 Channel 2 Input Control	SD16INCTL2	Read/write	0B2h	Reset with PUC
SD16 Channel 2 Preload	SD16PRE2	Read/write	0BAh	Reset with PUC

SD16CTL, SD16 Control Register

Reserved	Bits 15-9	Reserved
SD16LP	Bit 8	Low-power mode. This bit selects a reduced-speed reduced-power mode for the SD16. 0 Low-power mode is disabled 1 Low-power mode is enabled. The maximum clock frequency for the SD16 is reduced.
SD16DIVx	Bits 7-6	SD16 clock divider 00 /1 01 /2 10 /4 11 /8
SD16SSELx	Bits 5-4	SD16 clock source select 00 MCLK 01 SMCLK 10 ACLK 11 External TACLK
SD16 VMIDON	Bit 3	V_{MID} buffer on 0 Off 1 On
SD16 REFON	Bit 2	Reference generator on 0 Reference off 1 Reference on
SD16OVIE	Bit 1	SD16 overflow interrupt enable. The GIE bit must also be set to enable the interrupt. 0 Overflow interrupt disabled 1 Overflow interrupt enabled
Reserved	Bit 0	Reserved

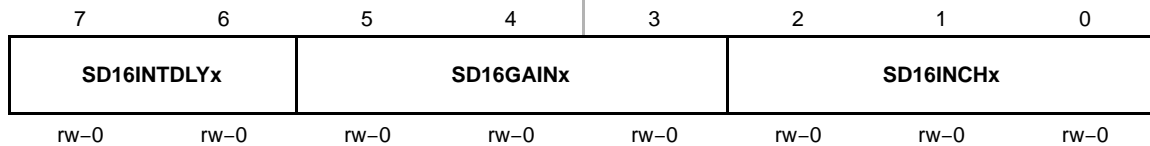
SD16CTLx, SD16 Channel x Control Register



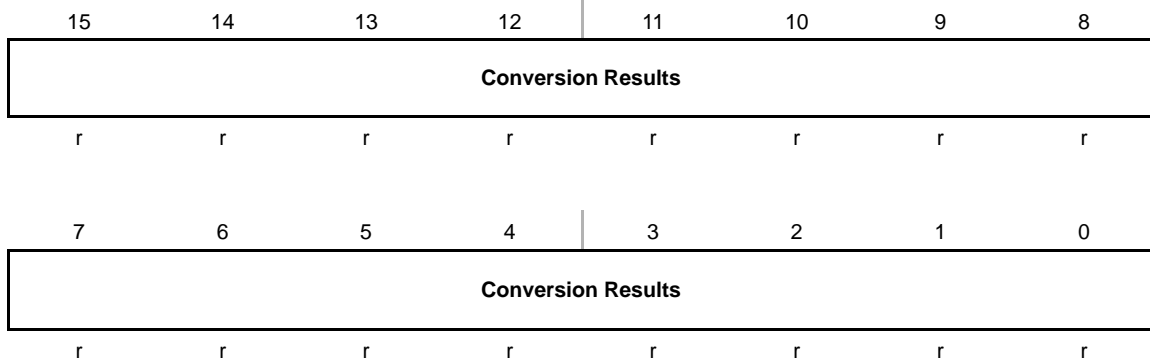
Reserved	Bits 15-11	Reserved
SD16SNGL	Bit 10	Single conversion mode select 0 Continuous conversion mode 1 Single conversion mode
SD16OSRx	Bits 9-8	Oversampling ratio 00 256 01 128 10 64 11 32
SD16LSBTOG	Bit 7	LSB toggle. This bit, when set, causes SD16LSBACC to toggle each time the SD16MEMx register is read. 0 SD16LSBACC does not toggle with each SD16MEMx read 1 SD16LSBACC toggles with each SD16MEMx read
SD16LSBACC	Bit 6	LSB access. This bit allows access to the upper or lower 16-bits of the SD16 conversion result. 0 SD16MEMx contains the most significant 16-bits of the conversion. 1 SD16MEMx contains the least significant 16-bits of the conversion.
SD16OVIFG	Bit 5	SD16 overflow interrupt flag 0 No overflow interrupt pending 1 Overflow interrupt pending
SD16DF	Bit 4	SD16 data format 0 Offset binary 1 2's complement
SD16IE	Bit 3	SD16 interrupt enable 0 Disabled 1 Enabled

SD16IFG	Bit 2	SD16 interrupt flag. SD16IFG is set when new conversion results are available. SD16IFG is automatically reset when the corresponding SD16MEMx register is read, or may be cleared with software. 0 No interrupt pending 1 Interrupt pending
SD16SC	Bit 1	SD16 start conversion 0 No conversion start 1 Start conversion
SD16GRP	Bit 0	SD16 group. Groups SD16 channel with next higher channel. Not used for the last channel. 0 Not grouped 1 Grouped

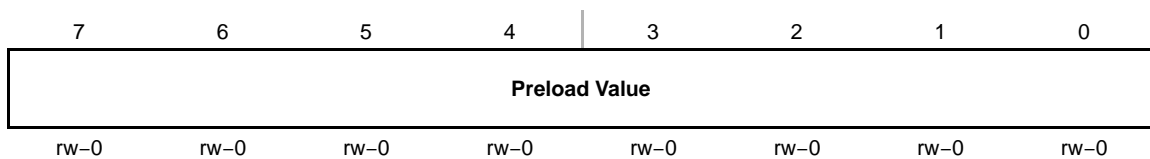
SD16INCTLx, SD16 Channel x Input Control Register



SD16 INTDLYx	Bits 7-6	Interrupt delay generation after conversion start. These bits select the delay for the first interrupt after conversion start. 00 Fourth sample causes interrupt 01 Third sample causes interrupt 10 Second sample causes interrupt 11 First sample causes interrupt
SD16GAINx	Bits 5-3	SD16 preamplifier gain 000 x1 001 x2 010 x4 011 x8 100 x16 101 x32 110 Reserved 111 Reserved
SD16INCHx	Bits 2-0	SD16 channel differential pair input 000 Ax.0 001 Ax.1 010 Ax.2 011 Ax.3 100 Ax.4 101 Ax.5 110 Ax.6- Temperature Sensor 111 Ax.7- Short for PGA offset measurement

SD16MEMx, SD16 Channel x Conversion Memory Register

Conversion Result Bits 15-0 Conversion Results. The SD16MEMx register holds the upper or lower 16-bits of the digital filter output, depending on the SD16LSBACC bit.

SD16PREx, SD16 Channel x Preload Register

SD16 Preload Value Bits 7-0 SD16 digital filter preload value.

SD16IV, SD16 Interrupt Vector Register

15	14	13	12	11	10	9	8
0	0	0	0	0	0	0	0
r0	r0	r0	r0	r0	r0	r0	r0
7	6	5	4	3	2	1	0
0	0	0	SD16IVx				0
r0	r0	r0	r-0	r-0	r-0	r-0	r0

SD16IVx Bits SD16 interrupt vector value
 15-0

SD16IV Contents	Interrupt Source	Interrupt Flag	Interrupt Priority
000h	No interrupt pending	–	
002h	SD16MEMx overflow	SD16CCTLx SD16OVIFG [†]	Highest
004h	SD16_0 Interrupt	SD16CCTL0 SD16IFG	
006h	SD16_1 Interrupt	SD16CCTL1 SD16IFG	
008h	SD16_2 Interrupt	SD16CCTL1 SD16IFG	
00Ah	Reserved	–	
00Ch	Reserved	–	
00Eh	Reserved	–	
010h	Reserved	–	Lowest

[†] When an SD16 overflow occurs, the user must check all SD16CCTLx SD16OVIFG flags to determine which channel overflowed.

SD16_A

The SD16_A module is a multichannel 16-bit sigma-delta analog-to-digital converter (ADC). This chapter describes the SD16_A of the MSP430x4xx family. The SD16_A module is implemented in the MSP430F42x0, MSP430FG42x0, MSP430F47x , MSP430FG47x, MSP430F47x3/4, and MSP430F471xx devices.

Topic	Page
30.1 SD16_A Introduction	30-2
30.2 SD16_A Operation	30-5
30.3 SD16_A Registers	30-22

30.1 SD16_A Introduction

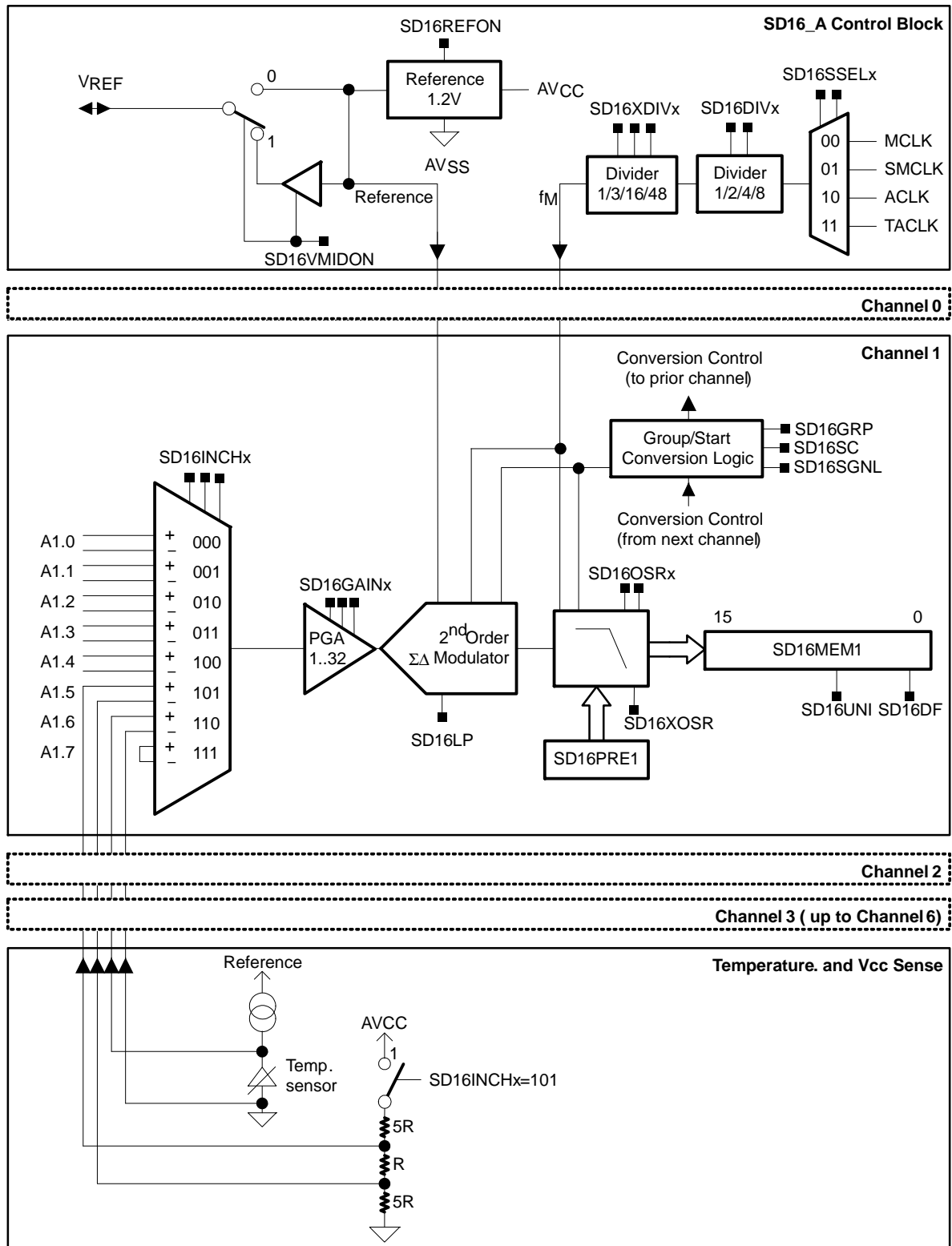
The SD16_A module consists of up to seven independent sigma-delta analog-to-digital converters, referred to as channels, and an internal voltage reference. Each channel has up to eight fully differential multiplexed analog input pairs including a built-in temperature sensor and a divided supply voltage. The converters are based on second-order oversampling sigma-delta modulators and digital decimation filters. The decimation filters are comb type filters with selectable oversampling ratios of up to 1024. Additional filtering can be done in software.

Features of the SD16_A include:

- 16-bit sigma-delta architecture
- Up to seven independent, simultaneously-sampling ADC channels. (The number of channels is device dependent, see the device-specific data sheet.)
- Up to eight multiplexed differential analog inputs per channel (The number of inputs is device dependent, see the device-specific data sheet.)
- Software selectable on-chip reference voltage generation (1.2 V)
- Software selectable internal or external reference
- Built-in temperature sensor accessible by all channels
- Up to 1.1-MHz modulator input frequency
- High impedance input buffer (not implemented on all devices, see the device-specific data sheet)
- Selectable low-power conversion mode

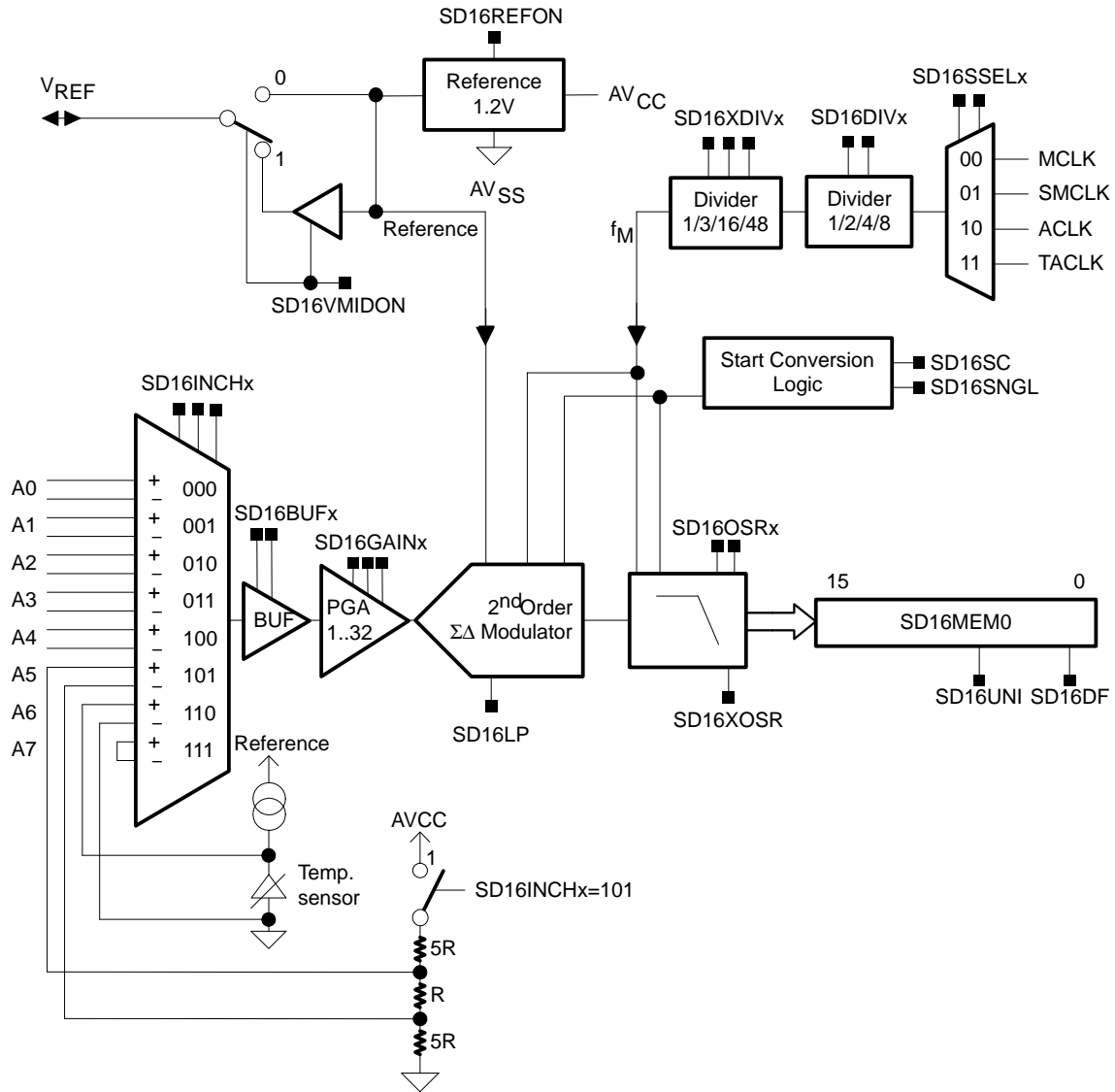
The block diagram of the SD16_A module is shown in Figure 30–1 for the MSP430F47x3/4 and MSP430F471xx. The block diagram of the SD16_A module is shown in Figure 30–2 for the MSP430F42x0, MSP430F47x, MSP430FG47x, and MSP430FG42x0.

Figure 30–1. Block Diagram of the MSP430F47x3/4 and MSP430F471xx SD16_A



Note: Ax.1 to Ax.4 not available on all devices. See device-specific data sheet.

Figure 30–2. Block Diagram of the MSP430F42x0, MSP430FG42x0, MSP430FG47x, and MSP430F47x SD16_A



30.2 SD16_A Operation

The SD16_A module is configured with user software. The setup and operation of the SD16_A is discussed in the following sections.

30.2.1 ADC Core

The analog-to-digital conversion is performed by a 1-bit, second-order sigma-delta modulator. A single-bit comparator within the modulator quantizes the input signal with the modulator frequency f_M . The resulting 1-bit data stream is averaged by the digital filter for the conversion result.

30.2.2 Analog Input Range and PGA

The full-scale input voltage range for each analog input pair is dependent on the gain setting of the programmable gain amplifier of each channel. The maximum full-scale range is $\pm V_{FSR}$ where V_{FSR} is defined by:

$$V_{FSR} = \frac{V_{REF}/2}{GAIN_{PGA}}$$

For a 1.2V reference, the maximum full-scale input range for a gain of 1 is:

$$\pm V_{FSR} = \frac{1.2V/2}{1} = \pm 0.6V$$

See the device-specific data sheet for full-scale input specifications.

30.2.3 Voltage Reference Generator

The SD16_A module has a built-in 1.2V reference. It can be used for each SD16_A channel and is enabled by the SD16REFON bit. When using the internal reference an external 100nF capacitor connected from V_{REF} to AV_{SS} is recommended to reduce noise. The internal reference voltage can be used off-chip when $SD16VMIDON = 1$. The buffered output can provide up to 1mA of drive. When using the internal reference off-chip, a 470nF capacitor connected from V_{REF} to AV_{SS} is required. See device-specific data sheet for parameters.

An external voltage reference can be applied to the V_{REF} input when SD16REFON and SD16VMIDON are both reset.

30.2.4 Auto Power-Down

The SD16_A is designed for low power applications. When the SD16_A is not actively converting, it is automatically disabled and automatically re-enabled when a conversion is started. The reference is not automatically disabled, but can be disabled by setting $SD16REFON = 0$. When the SD16_A or reference are disabled, they consume no current.

30.2.5 Analog Input Pair Selection

The SD16_A can convert up to 8 differential input pairs multiplexed into the PGA. Up to five analog input pairs (A0-A4) are available externally on the device. A resistive divider to measure the supply voltage is available using the A5 multiplexer input. An internal temperature sensor is available using the A6 multiplexer input.

Input A7 is a shorted connection between the + and – input pair and can be used to calibrate the offset of the SD16_A input stage. Note that the measured offset depends on the impedance of the external circuitry; thus, the actual offset seen at any of the analog inputs may be different.

Analog Input Setup

The analog input of each channel is configured using the SD16INCTLx register. These settings can be independently configured for each SD16_A channel.

The SD16INCHx bits select one of eight differential input pairs of the analog multiplexer. The gain for each PGA is selected by the SD16GAINx bits. A total of six gain settings are available.

On some devices SD16AEx bits are available to enable or disable the analog input pin. Setting any SD16AEx bit disables the multiplexed digital circuitry for the associated pin. See the device-specific data sheet for pin diagrams.

During conversion any modification to the SD16INCHx and SD16GAINx bits will become effective with the next decimation step of the digital filter. After these bits are modified, the next three conversions may be invalid due to the settling time of the digital filter. This can be handled automatically with the SD16INTDLYx bits. When SD16INTDLY = 00h, conversion interrupt requests will not begin until the 4th conversion after a start condition.

On devices implementing the high impedance input buffer it can be enabled using the SD16BUFx bits. The speed settings are selected based on the SD16_A modulator frequency as shown in Table 30–1.

Table 30–1. High Input Impedance Buffer

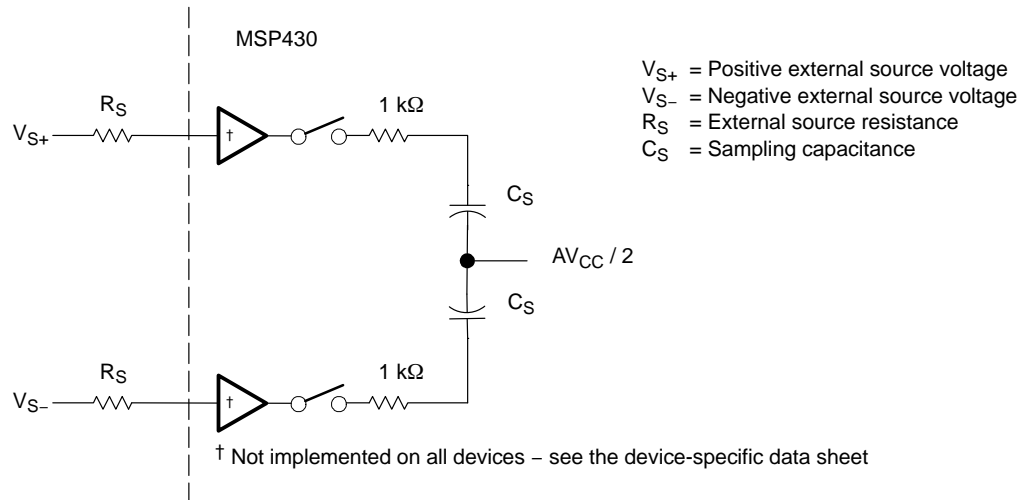
SD16BUFx	Buffer	SD16 Modulator Frequency f_M
00	Buffer disabled	
01	Low speed/current	$f_M < 200$ kHz
10	Medium speed/current	200 kHz $< f_M < 700$ kHz
11	High speed/current	700 kHz $< f_M < 1.1$ MHz

An external RC anti-aliasing filter is recommended for the SD16_A to prevent aliasing of the input signal. The cutoff frequency should be < 10 kHz for a 1-Mhz modulator clock and $OSR = 256$. The cutoff frequency may set to a lower frequency for applications that have lower bandwidth requirements.

30.2.6 Analog Input Characteristics

The SD16_A uses a switched-capacitor input stage that appears as an impedance to external circuitry as shown in Figure 30–3.

Figure 30–3. Analog Input Equivalent Circuit



When the buffers are used, R_S does not affect the sampling frequency f_S . However, when the buffers are not used or are not present on the device, the maximum modulator frequency f_M may be calculated from the minimum settling time $t_{Settling}$ of the sampling circuit given by:

$$t_{Settling} \geq (R_S + 1k\Omega) \times C_S \times \ln\left(\frac{GAIN \times 2^{17} \times V_{Ax}}{V_{REF}}\right)$$

where

$$f_M = \frac{1}{2 \times t_{Settling}} \text{ and } V_{Ax} = \max\left(\left|\frac{AV_{CC}}{2} - V_{S+}\right|, \left|\frac{AV_{CC}}{2} - V_{S-}\right|\right),$$

with V_{S+} and V_{S-} referenced to AV_{SS} .

C_S varies with the gain setting as shown in Table 30–2.

Table 30–2. Sampling Capacitance

PGA Gain	Sampling Capacitance C_S
1	1.25 pF
2, 4	2.5 pF
8	5 pF
16, 32	10 pF

30.2.7 Digital Filter

The digital filter processes the 1-bit data stream from the modulator using a SINC³ comb filter. The transfer function is described in the z-Domain by:

$$H(z) = \left(\frac{1}{OSR} \times \frac{1 - z^{-OSR}}{1 - z^{-1}} \right)^3$$

and in the frequency domain by:

$$H(f) = \left[\frac{\text{sinc}\left(OSR\pi\frac{f}{f_M}\right)}{\text{sinc}\left(\pi\frac{f}{f_M}\right)} \right]^3 = \left[\frac{1}{OSR} \times \frac{\sin\left(OSR \times \pi \times \frac{f}{f_M}\right)}{\sin\left(\pi \times \frac{f}{f_M}\right)} \right]^3$$

where the oversampling rate, OSR, is the ratio of the modulator frequency f_M to the sample frequency f_S . Figure 30–4 shows the filter's frequency response for an OSR of 32. The first filter notch is at $f_S = f_M/OSR$. The notch's frequency can be adjusted by changing the modulator's frequency, f_M , using SD16SSELx and SD16DIVx and the oversampling rate using the SD16OSRx and SD16XOSR bits.

The digital filter for each enabled ADC channel completes the decimation of the digital bit-stream and outputs new conversion results to the corresponding SD16MEMx register at the sample frequency f_S .

Figure 30–4. Comb Filter's Frequency Response with OSR = 32

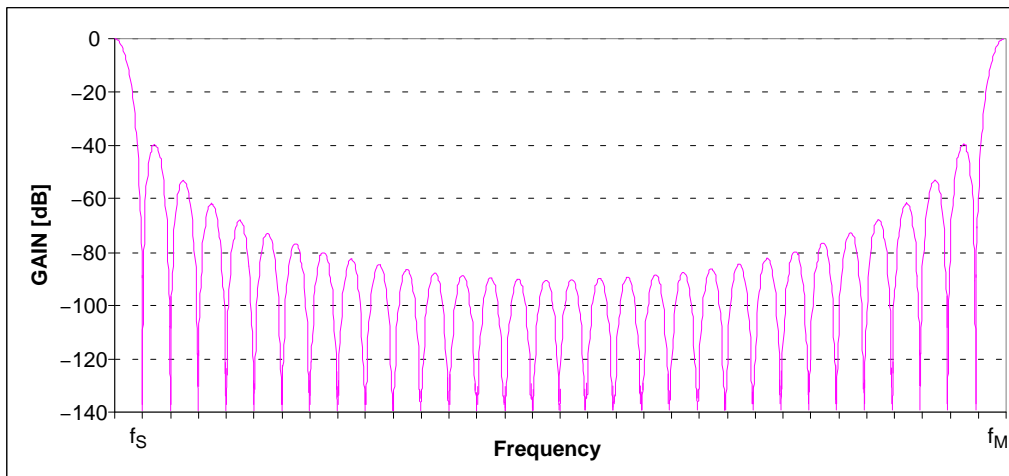
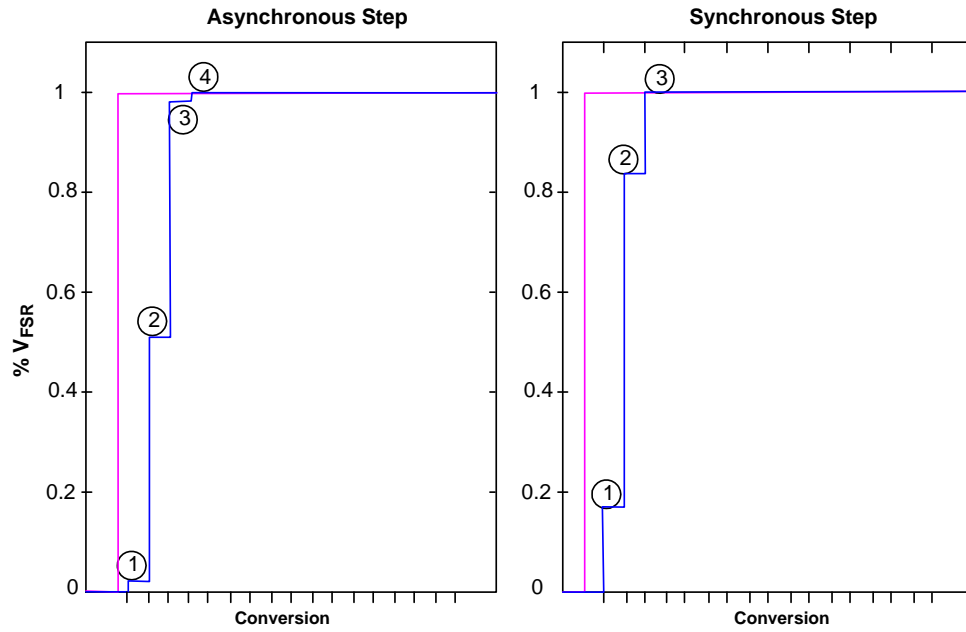


Figure 30–5 shows the digital filter step response and conversion points. For step changes at the input after start of conversion a settling time must be allowed before a valid conversion result is available. The SD16INTDLYx bits can provide sufficient filter settling time for a full-scale change at the ADC input. If the step occurs synchronously to the decimation of the digital filter the valid data will be available on the third conversion. An asynchronous step will require one additional conversion before valid data is available.

Figure 30–5. Digital Filter Step Response and Conversion Points



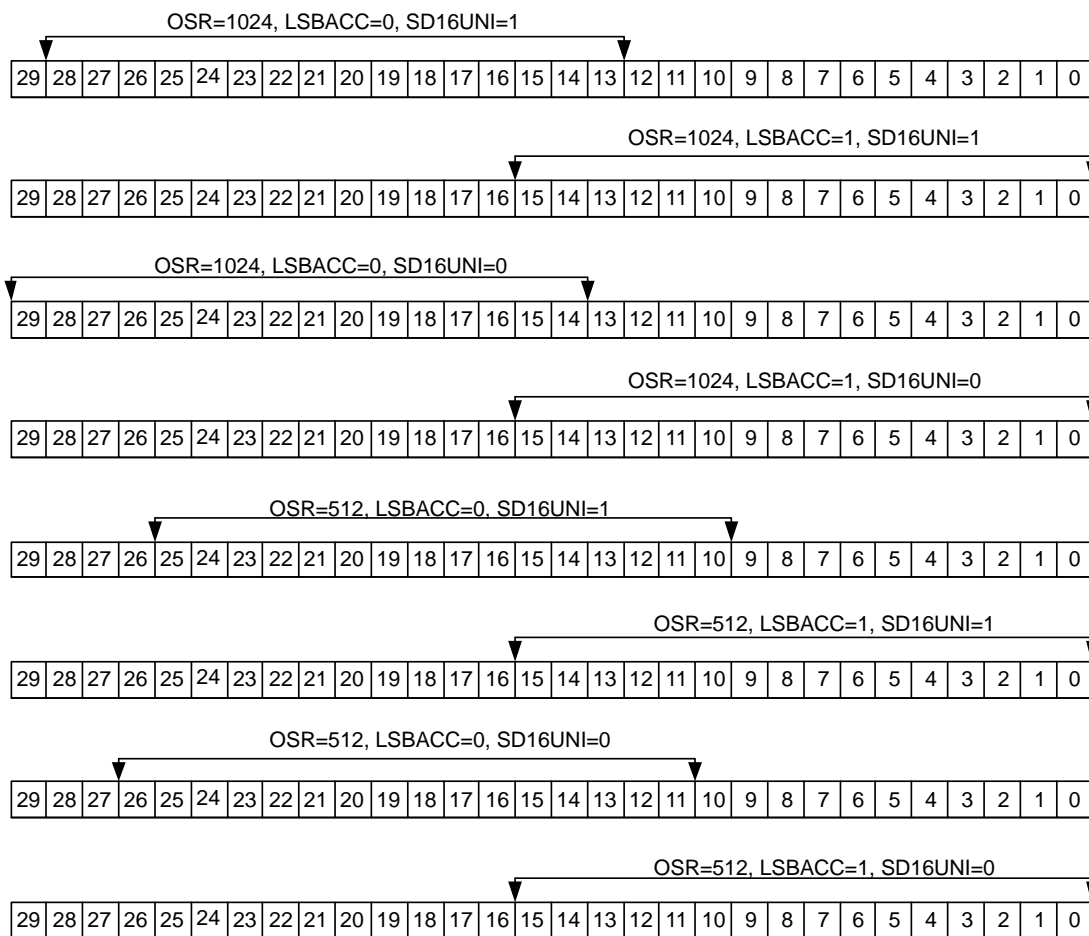
Digital Filter Output

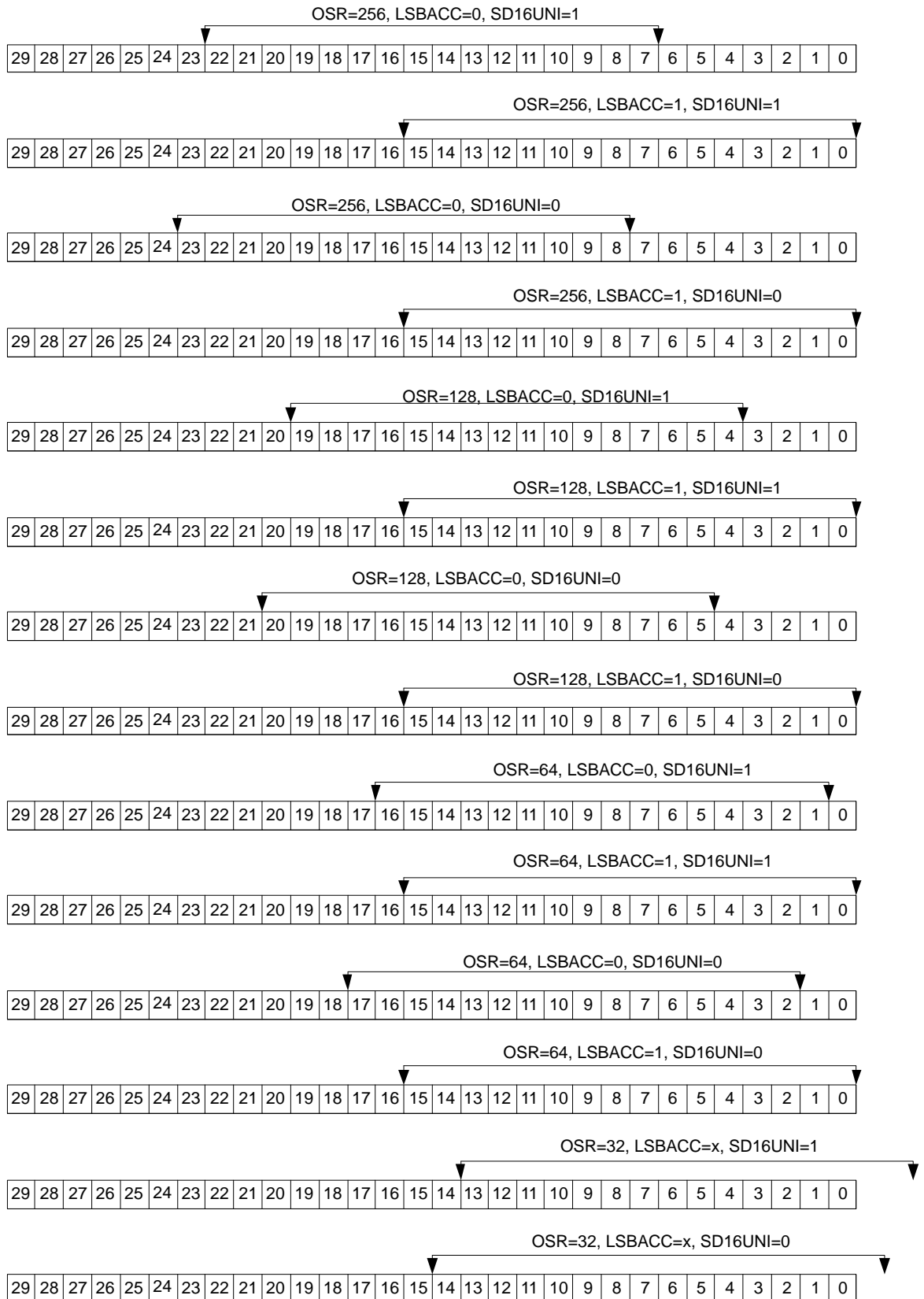
The number of bits output by the digital filter is dependent on the oversampling ratio and ranges from 15 to 30 bits. Figure 30–6 shows the digital filter output and their relation to SD16MEMx for each OSR, LSBACC, and SD16UNI setting. For example, for OSR = 1024, LSBACC = 0, and SD16UNI = 1, the SD16MEMx register contains bits 28 – 13 of the digital filter output. When OSR = 32, the one (SD16UNI = 0) or two (SD16UNI = 1) LSBs are always zero.

The SD16LSBACC and SD16LSBTOG bits give access to the least significant bits of the digital filter output. When SD16LSBACC = 1 the 16 least significant bits of the digital filter's output are read from SD16MEMx using word instructions. The SD16MEMx register can also be accessed with byte instructions returning only the 8 least significant bits of the digital filter output.

When SD16LSBTOG = 1 the SD16LSBACC bit is automatically toggled each time SD16MEMx is read. This allows the complete digital filter output result to be read with two reads of SD16MEMx. Setting or clearing SD16LSBTOG does not change SD16LSBACC until the next SD16MEMx access.

Figure 30–6. Used Bits of Digital Filter Output





30.2.8 Conversion Memory Register: SD16MEMx

One SD16MEMx register is associated with each SD16_A channel. Conversion results are moved to the corresponding SD16MEMx register with each decimation step of the digital filter. The SD16IFG bit is set when new data is written to SD16MEMx. SD16IFG is automatically cleared when SD16MEMx is read by the CPU or may be cleared with software.

Output Data Format

The output data format is configurable in two's complement, offset binary or unipolar mode as shown in Table 30–3. The data format is selected by the SD16DF and SD16UNI bits.

Table 30–3. Data Format

SD16UNI	SD16DF	Format	Analog Input	SD16MEMx [†]	Digital Filter Output (OSR = 256)
0	0	Bipolar	+FSR	FFFF	FFFFFF
		Offset	ZERO	8000	800000
		Binary	–FSR	0000	000000
0	1	Bipolar	+FSR	7FFF	7FFFFFF
		Two's	ZERO	0000	000000
		Compliment	–FSR	8000	800000
1	0	Unipolar	+FSR	FFFF	FFFFFF
			ZERO	0000	800000
			–FSR	0000	000000

[†] Independent of SD16OSRx and SD16XOSR settings; SD16LSBACC = 0.

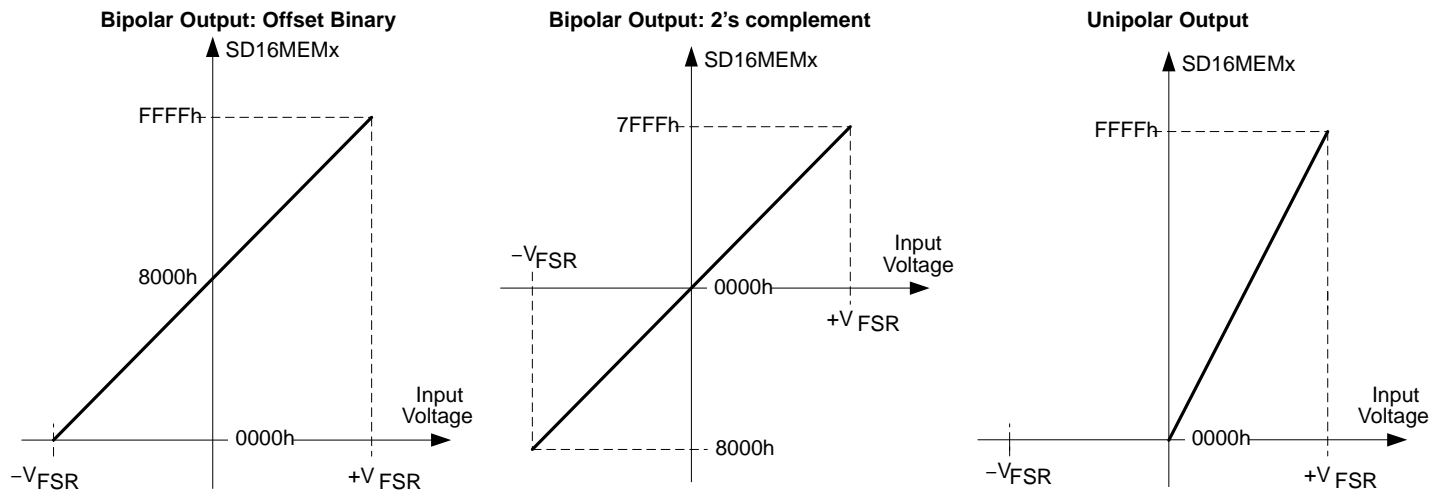
Note: Offset Measurements and Data Format

Any offset measurement done either externally or using the internal differential pair A7 would be appropriate only when the channel is operating under bipolar mode with SD16UNI = 0.

If the measured value is to be used in the unipolar mode for offset correction it needs to be multiplied by two.

Figure 30-7 shows the relationship between the full-scale input voltage range from $-V_{FSR}$ to $+V_{FSR}$ and the conversion result. The data formats are illustrated.

Figure 30-7. Input Voltage vs. Digital Output



30.2.9 Conversion Modes

The SD16_A module can be configured for four modes of operation, listed in Table 30–4. The SD16SNGL and SD16GRP bits for each channel selects the conversion mode.

Table 30–4. Conversion Mode Summary

SD16SNGL	SD16GRP [†]	Mode	Operation
1	0	Single channel, Single conversion	A single channel is converted once.
0	0	Single channel, Continuous conversion	A single channel is converted continuously.
1	1	Group of channels, Single conversion	A group of channels is converted once.
0	1	Group of channels, Continuous conversion	A group of channels is converted continuously.

[†] A channel is grouped and is the master channel of the group when SD16GRP = 0 if SD16GRP for the prior channel(s) is set. The grouping feature is not present on MSP430F42x0 and MSP430FG42x0 devices.

Single Channel, Single Conversion

Setting the SD16SC bit of a channel initiates one conversion on that channel when SD16SNGL = 1 and it is not grouped with any other channels. The SD16SC bit will automatically be cleared after conversion completion.

Clearing SD16SC before the conversion is completed immediately stops conversion of the selected channel, the channel is powered down and the corresponding digital filter is turned off. The value in SD16MEMx can change when SD16SC is cleared. It is recommended that the conversion data in SD16MEMx be read prior to clearing SD16SC to avoid reading an invalid result.

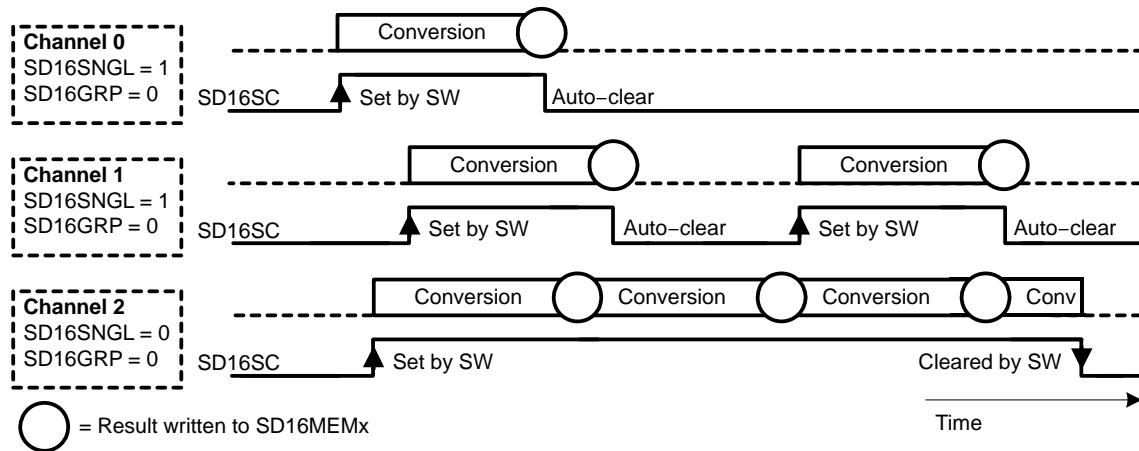
Single Channel, Continuous Conversion

When SD16SNGL = 0 continuous conversion mode is selected. Conversion of the selected channel will begin when SD16SC is set and continue until the SD16SC bit is cleared by software when the channel is not grouped with any other channel.

Clearing SD16SC immediately stops conversion of the selected channel, the channel is powered down and the corresponding digital filter is turned off. The value in SD16MEMx can change when SD16SC is cleared. It is recommended that the conversion data in SD16MEMx be read prior to clearing SD16SC to avoid reading an invalid result.

Figure 30–8 shows single channel operation for single conversion mode and continuous conversion mode.

Figure 30–8. Single Channel Operation – Example



Group of Channels, Single Conversion

Consecutive SD16_A channels can be grouped together with the SD16GRP bit to synchronize conversions. Setting SD16GRP for a channel groups that channel with the next channel in the module. For example, setting SD16GRP for channel 0 groups that channel with channel 1. In this case, channel 1 is the master channel, enabling and disabling conversion of all channels in the group with its SD16SC bit. The SD16GRP bit of the master channel is always 0. The SD16GRP bit of last channel in SD16_A has no function and is always 0.

When SD16SNGL = 1 for a channel in a group, single conversion mode is selected. A single conversion of that channel will occur synchronously when the master channel SD16SC bit is set. The SD16SC bit of all channels in the group will automatically be set and cleared by SD16SC of the master channel. SD16SC for each channel can also be cleared in software independently.

Clearing SD16SC of the master channel before the conversions are completed immediately stops conversions of all channels in the group, the channels are powered down and the corresponding digital filters are turned off. Values in SD16MEMx can change when SD16SC is cleared. It is recommended that the conversion data in SD16MEMx be read prior to clearing SD16SC to avoid reading an invalid result.

Group of Channels, Continuous Conversion

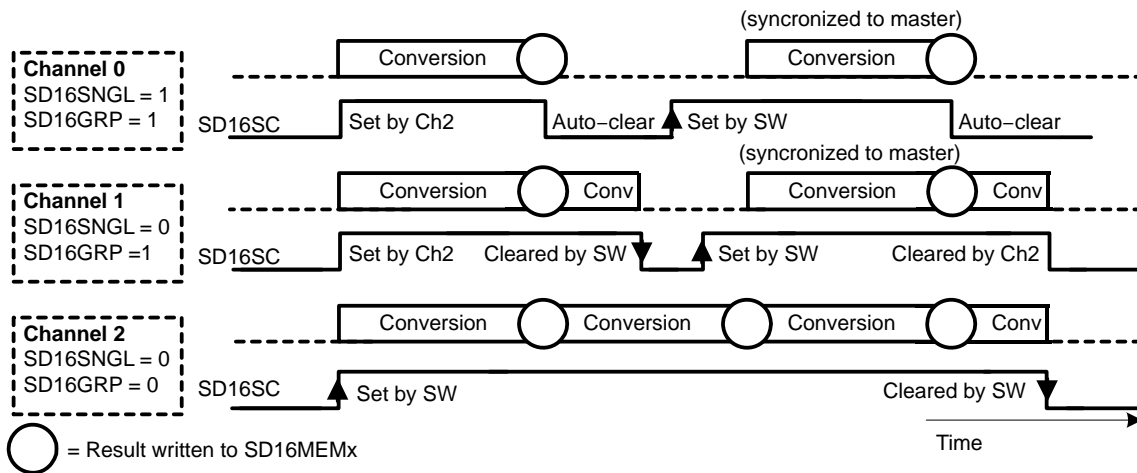
When SD16SNGL = 0 for a channel in a group, continuous conversion mode is selected. Continuous conversion of that channel will occur synchronously when the master channel SD16SC bit is set. SD16SC bits for all grouped channels will be automatically set and cleared with the master channel's SD16SC bit. SD16SC for each channel in the group can also be cleared in software independently.

When SD16SC of a grouped channel is set by software independently of the master, conversion of that channel will automatically synchronize to conversions of the master channel. This ensures that conversions for grouped channels are always synchronous to the master.

Clearing SD16SC of the master channel immediately stops conversions of all channels in the group the channels are powered down and the corresponding digital filters are turned off. Values in SD16MEMx can change when SD16SC is cleared. It is recommended that the conversion data in SD16MEMx be read prior to clearing SD16SC to avoid reading an invalid result.

Figure 30–9 shows grouped channel operation for three SD16_A channels. Channel 0 is configured for single conversion mode, SD16SNGL = 1, and channels 1 and 2 are in continuous conversion mode, SD16SNGL = 0. Channel two, the last channel in the group, is the master channel. Conversions of all channels in the group occur synchronously to the master channel regardless of when each SD16SC bit is set using software.

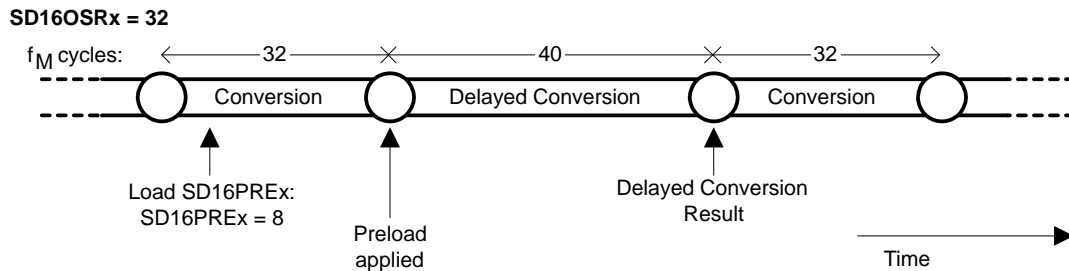
Figure 30–9. Grouped Channel Operation – Example



30.2.10 Conversion Operation Using Preload

When multiple channels are grouped the SD16PREx registers can be used to delay the conversion time frame for each channel. Using SD16PREx, the decimation time of the digital filter is increased by the specified number of f_M clock cycles and can range from 0 to 255. Figure 30–10 shows an example using SD16PREx.

Figure 30–10. Conversion Delay using Preload – Example



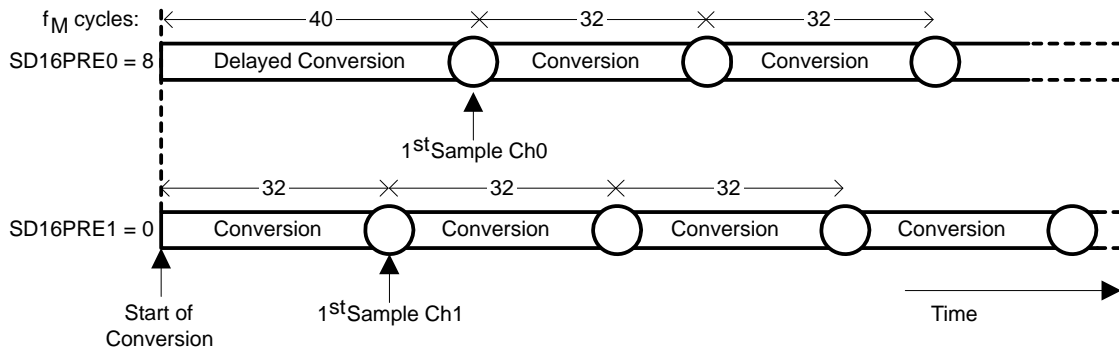
The SD16PREx delay is applied to the beginning of the next conversion cycle after being written. The delay is used on the first conversion after SD16SC is set and on the conversion cycle following each write to SD16PREx. Following conversions are not delayed. After modifying SD16PREx, the next write to SD16PREx should not occur until the next conversion cycle is completed, otherwise the conversion results may be incorrect.

The accuracy of the result for the delayed conversion cycle using SD16PREx is dependent on the length of the delay and the frequency of the analog signal being sampled. For example, when measuring a DC signal, SD16PREx delay has no effect on the conversion result regardless of the duration. The user must determine when the delayed conversion result is useful in their application.

Figure 30–11 shows the operation of grouped channels 0 and 1. The preload register of channel 1 is loaded with zero resulting in immediate conversion whereas the conversion cycle of channel 0 is delayed by setting $SD16PRE0 = 8$. The first channel 0 conversion uses $SD16PREx = 8$, shifting all subsequent conversions by 8 f_M clock cycles.

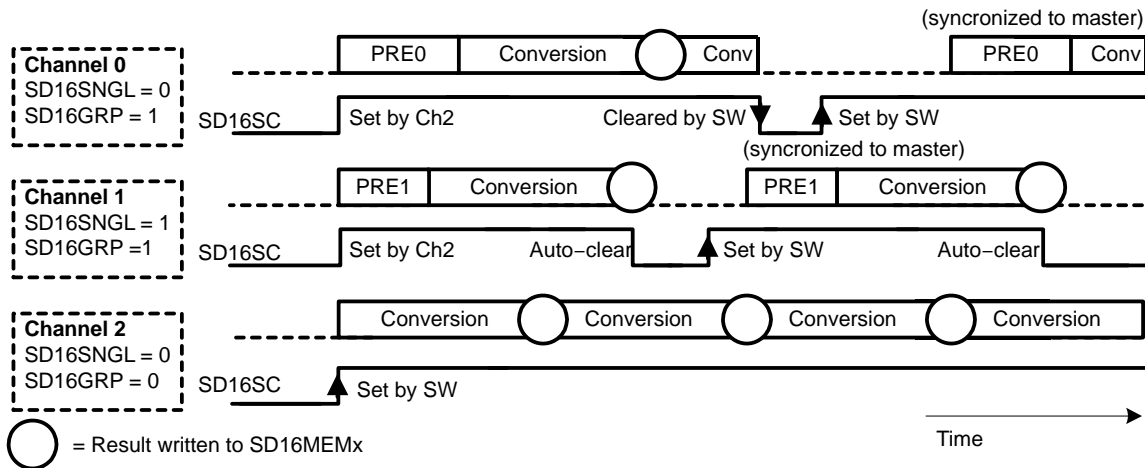
Figure 30–11. Start of Conversion using Preload – Example

SD16OSRx = 32



When channels are grouped, care must be taken when a channel or channels operate in single conversion mode or are disabled in software while the master channel remains active. Each time channels in the group are re-enabled and re-synchronize with the master channel, the preload delay for that channel will be reintroduced. Figure 30–12 shows the re-synchronization and preload delays for channels in a group. It is recommended that SD16PREx = 0 for the master channel to maintain a consistent delay between the master and remaining channels in the group when they are re-enabled.

Figure 30–12. Preload and Channel Synchronization

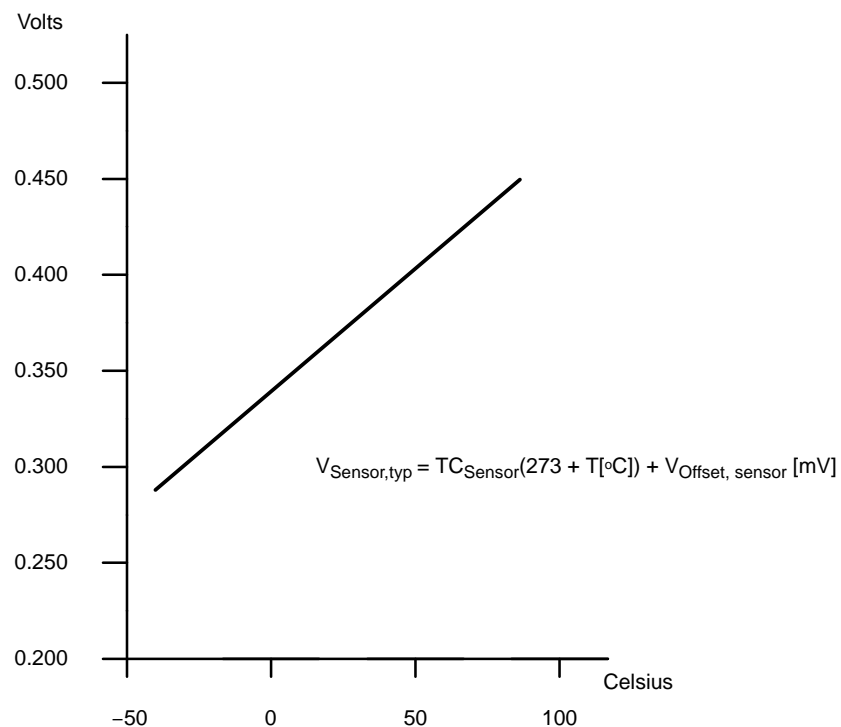


30.2.11 Using the Integrated Temperature Sensor

To use the on-chip temperature sensor, the user selects the analog input pair SD16INCHx = 110 and sets SD16REFON = 1. Any other configuration is done as if an external analog input pair was selected, including SD16INTDLYx and SD16GAINx settings. Because the internal reference must be on to use the temperature sensor, it is not possible to use an external reference for the conversion of the temperature sensor voltage. Also, the internal reference will be in contention with any used external reference. In this case, the SD16VMIDON bit may be set to minimize the affects of the contention on the conversion.

The typical temperature sensor transfer function is shown in Figure 30–13. When switching inputs of an SD16_A channel to the temperature sensor, adequate delay must be provided using SD16INTDLYx to allow the digital filter to settle and assure that conversion results are valid. The temperature sensor offset error can be large, and may need to be calibrated for most applications. See device-specific data sheet for temperature sensor parameters.

Figure 30–13. Typical Temperature Sensor Transfer Function



30.2.12 Interrupt Handling

The SD16_A has 2 interrupt sources for each ADC channel:

- SD16IFG
- SD16OVIFG

The SD16IFG bits are set when their corresponding SD16MEMx memory register is written with a conversion result. An interrupt request is generated if the corresponding SD16IE bit and the GIE bit are set. The SD16_A overflow condition occurs when a conversion result is written to any SD16MEMx location before the previous conversion result was read.

SD16IV, Interrupt Vector Generator

All SD16_A interrupt sources are prioritized and combined to source a single interrupt vector. SD16IV is used to determine which enabled SD16_A interrupt source requested an interrupt. The highest priority SD16_A interrupt request that is enabled generates a number in the SD16IV register (see register description). This number can be evaluated or added to the program counter to automatically enter the appropriate software routine. Disabled SD16_A interrupts do not affect the SD16IV value.

Any access, read or write, of the SD16IV register has no effect on the SD16OVIFG or SD16IFG flags. The SD16IFG flags are reset by reading the associated SD16MEMx register or by clearing the flags in software. SD16OVIFG bits can only be reset with software.

If another interrupt is pending after servicing of an interrupt, another interrupt is generated. For example, if the SD16OVIFG and one or more SD16IFG interrupts are pending when the interrupt service routine accesses the SD16IV register, the SD16OVIFG interrupt condition is serviced first and the corresponding flag(s) must be cleared in software. After the RETI instruction of the interrupt service routine is executed, the highest priority SD16IFG pending generates another interrupt request.

Interrupt Delay Operation

The SD16INTDLYx bits control the timing for the first interrupt service request for the corresponding channel. This feature delays the interrupt request for a completed conversion by up to four conversion cycles allowing the digital filter to settle prior to generating an interrupt request. The delay is applied each time the SD16SC bit is set or when the SD16GAINx or SD16INCHx bits for the channel are modified. SD16INTDLYx disables overflow interrupt generation for the channel for the selected number of delay cycles. Interrupt requests for the delayed conversions are not generated during the delay.

SD16_A Interrupt Handling Software Example

The following software example shows the recommended use of SD16IV and the handling overhead. The SD16IV value is added to the PC to automatically jump to the appropriate routine.

The numbers at the right margin show the necessary CPU cycles for each instruction. The software overhead for different interrupt sources includes interrupt latency and return-from-interrupt cycles, but not the task handling itself. The latencies are:

- SD16OVIFG, CH0 SD16IFG, CH1 SD16IFG 16 cycles
- CH2 SD16IFG 14 cycles

The interrupt handler for channel 2 SD16IFG shows a way to check immediately if a higher prioritized interrupt occurred during the processing of the ISR. This saves nine cycles if another SD16_A interrupt is pending.

```

; Interrupt handler for SD16_A.
INT_SD16          ; Enter Interrupt Service Routine      6
  ADD    &SD16IV,PC; Add offset to PC                    3
  RETI   ; Vector 0: No interrupt                        5
  JMP    ADOV     ; Vector 2: ADC overflow                2
  JMP    ADM0     ; Vector 4: CH_0 SD16IFG                2
  JMP    ADM1     ; Vector 6: CH_1 SD16IFG                2
;
; Handler for CH_2 SD16IFG starts here. No JMP required.
;
ADM2    MOV    &SD16MEM2,xxx ; Move result, flag is reset
        ...          ; Other instruction needed?
        JMP    INT_SD16     ; Check other int pending    2
;
; Remaining Handlers
;
ADM1    MOV    &SD16MEM1,xxx ; Move result, flag is reset
        ...          ; Other instruction needed?
        RETI   ; Return                                  5
;
ADM0    MOV    &SD16MEM0,xxx ; Move result, flag is reset
        RETI   ; Return                                  5
;
ADOV    ...          ; Handle SD16MEMx overflow
        RETI   ; Return                                  5

```

30.3 SD16_A Registers

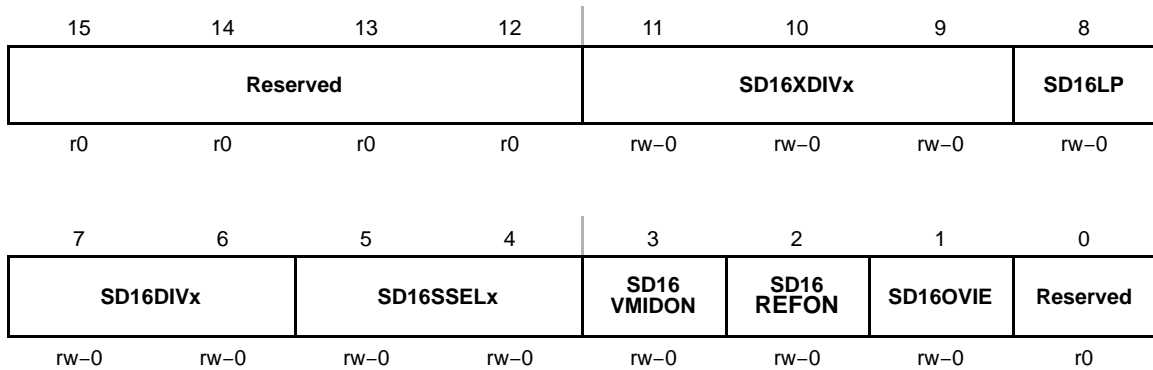
The SD16_A registers are listed in Table 30–5 (registers for channels not implemented are unavailable; see the device-specific data sheet):

Table 30–5. SD16_A Registers

Register	Short Form	Register Type	Address	Initial State
SD16_A Control	SD16CTL	Read/write	0100h	Reset with PUC
SD16_A Interrupt Vector	SD16IV	Read/write	0110h	Reset with PUC
SD16_A Analog Enable [†]	SD16AE	Read/write	0B7h	Reset with PUC
SD16_A Channel 0 Control	SD16CCTL0	Read/write	0102h	Reset with PUC
SD16_A Channel 0 Conversion Memory	SD16MEM0	Read/write	0112h	Reset with PUC
SD16_A Channel 0 Input Control	SD16INCTL0	Read/write	0B0h	Reset with PUC
SD16_A Channel 0 Preload	SD16PRE0	Read/write	0B8h	Reset with PUC
SD16_A Channel 1 Control	SD16CCTL1	Read/write	0104h	Reset with PUC
SD16_A Channel 1 Conversion Memory	SD16MEM1	Read/write	0114h	Reset with PUC
SD16_A Channel 1 Input Control	SD16INCTL1	Read/write	0B1h	Reset with PUC
SD16_A Channel 1 Preload	SD16PRE1	Read/write	0B9h	Reset with PUC
SD16_A Channel 2 Control	SD16CCTL2	Read/write	0106h	Reset with PUC
SD16_A Channel 2 Conversion Memory	SD16MEM2	Read/write	0116h	Reset with PUC
SD16_A Channel 2 Input Control	SD16INCTL2	Read/write	0B2h	Reset with PUC
SD16_A Channel 2 Preload	SD16PRE2	Read/write	0BAh	Reset with PUC
SD16_A Channel 3 Control	SD16CCTL3	Read/write	0108h	Reset with PUC
SD16_A Channel 3 Conversion Memory	SD16MEM3	Read/write	0118h	Reset with PUC
SD16_A Channel 3 Input Control	SD16INCTL3	Read/write	0B3h	Reset with PUC
SD16_A Channel 3 Preload	SD16PRE3	Read/write	0BBh	Reset with PUC
SD16_A Channel 4 Control	SD16CCTL4	Read/write	010Ah	Reset with PUC
SD16_A Channel 4 Conversion Memory	SD16MEM4	Read/write	011Ah	Reset with PUC
SD16_A Channel 4 Input Control	SD16INCTL4	Read/write	0B4h	Reset with PUC
SD16_A Channel 4 Preload	SD16PRE4	Read/write	0BCh	Reset with PUC
SD16_A Channel 5 Control	SD16CCTL5	Read/write	010Ch	Reset with PUC
SD16_A Channel 5 Conversion Memory	SD16MEM5	Read/write	011Ch	Reset with PUC
SD16_A Channel 5 Input Control	SD16INCTL5	Read/write	0B5h	Reset with PUC
SD16_A Channel 5 Preload	SD16PRE5	Read/write	0BDh	Reset with PUC
SD16_A Channel 6 Control	SD16CCTL6	Read/write	010Eh	Reset with PUC
SD16_A Channel 6 Conversion Memory	SD16MEM6	Read/write	011Eh	Reset with PUC
SD16_A Channel 6 Input Control	SD16INCTL6	Read/write	0B6h	Reset with PUC
SD16_A Channel 6 Preload	SD16PRE6	Read/write	0BEh	Reset with PUC

[†] Not implemented on all devices – see the device-specific data sheet.

SD16CTL, SD16_A Control Register



Reserved	Bits 15-12	Reserved
SD16XDIVx	Bits 11-9	SD16_A clock divider 000 /1 001 /3 010 /16 011 /48 1xx Reserved
SD16LP	Bit 8	Low-power mode. This bit selects a reduced-speed reduced-power mode 0 Low-power mode is disabled 1 Low-power mode is enabled. The maximum clock frequency for the SD16_A is reduced.
SD16DIVx	Bits 7-6	SD16_A clock divider 00 /1 01 /2 10 /4 11 /8
SD16SSELx	Bits 5-4	SD16_A clock source select 00 MCLK 01 SMCLK 10 ACLK 11 External TACLK
SD16 VMIDON	Bit 3	V _{MID} buffer on 0 Off 1 On
SD16 REFON	Bit 2	Reference generator on 0 Reference off 1 Reference on
SD16OVIE	Bit 1	SD16_A overflow interrupt enable. The GIE bit must also be set to enable the interrupt. 0 Overflow interrupt disabled 1 Overflow interrupt enabled
Reserved	Bit 0	Reserved

SD16CTLx, SD16_A Channel x Control Register

15	14	13	12	11	10	9	8
Reserved	SD16BUFx[†]		SD16UNI	SD16XOSR	SD16SNGL	SD16OSRx	
r0	rw-0		rw-0	rw-0	rw-0	rw-0	
7	6	5	4	3	2	1	0
SD16 LSBTOG	SD16 LSBACC	SD16 OVIFG	SD16DF	SD16IE	SD16IFG	SD16SC	SD16GRP[‡]
rw-0	rw-0	rw-0	rw-0	rw-0	rw-0	rw-0	r(w)-0

[†] Not implemented on all devices – see the device-specific data sheet.

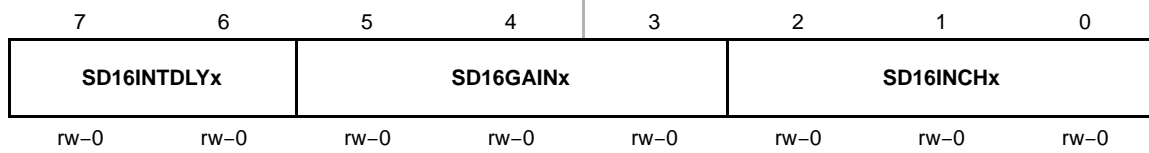
Reserved with r0 access if high impedance buffer not implemented.

[‡] Reserved in MSP430F42x0, MSP430FG42x0, MSP430F47x, and MSP430FG47x devices.

Reserved	Bit 15	Reserved
SD16BUFx	Bits 14–13	High impedance input buffer mode 00 Buffer disabled 01 Slow speed/current 10 Medium speed/current 11 High speed/current
SD16UNI	Bit 12	Unipolar mode select 0 Bipolar mode 1 Unipolar mode
SD16XOSR	Bit 11	Extended oversampling ratio. This bit, along with the SD16OSRx bits, select the oversampling ratio. See SD16OSRx bit description for settings.
SD16SNGL	Bit 10	Single conversion mode select 0 Continuous conversion mode 1 Single conversion mode
SD16OSRx	Bits 9–8	Oversampling ratio When SD16XOSR = 0 00 256 01 128 10 64 11 32 When SD16XOSR = 1 00 512 01 1024 10 Reserved 11 Reserved
SD16 LSBTOG	Bit 7	LSB toggle. This bit, when set, causes SD16LSBACC to toggle each time the SD16MEMx register is read. 0 SD16LSBACC does not toggle with each SD16MEMx read 1 SD16LSBACC toggles with each SD16MEMx read

SD16 LSBACC	Bit 6	LSB access. This bit allows access to the upper or lower 16-bits of the SD16_A conversion result. 0 SD16MEMx contains the most significant 16-bits of the conversion. 1 SD16MEMx contains the least significant 16-bits of the conversion.
SD16OVIFG	Bit 5	SD16_A overflow interrupt flag 0 No overflow interrupt pending 1 Overflow interrupt pending
SD16DF	Bit 4	SD16_A data format 0 Offset binary 1 2's complement
SD16IE	Bit 3	SD16_A interrupt enable 0 Disabled 1 Enabled
SD16IFG	Bit 2	SD16_A interrupt flag. SD16IFG is set when new conversion results are available. SD16IFG is automatically reset when the corresponding SD16MEMx register is read, or may be cleared with software. 0 No interrupt pending 1 Interrupt pending
SD16SC	Bit 1	SD16_A start conversion 0 No conversion start 1 Start conversion
SD16GRP	Bit 0	SD16_A group. Groups SD16_A channel with next higher channel. Not used for the last channel. Reserved in MSP430F42x0, MSP430FG42x0, MSP430F47x, and MSP430FG47x devices. 0 Not grouped 1 Grouped

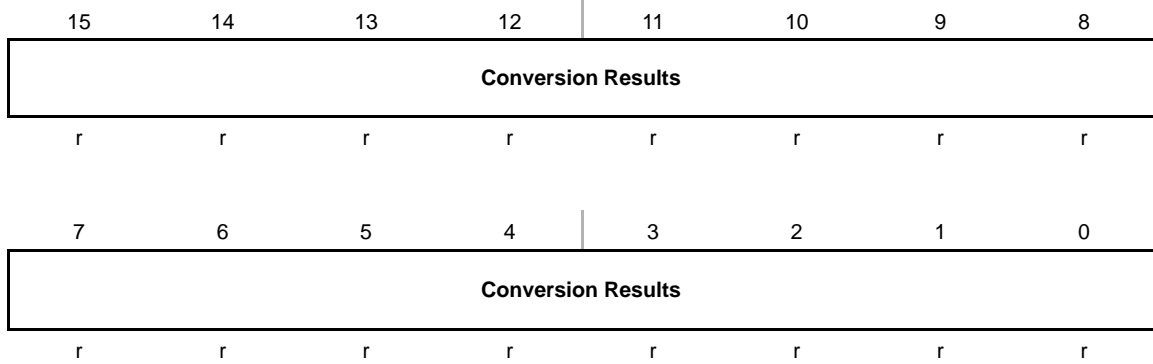
SD16INCTLx, SD16_A Channel x Input Control Register



SD16 INTDLYx	Bits 7-6	Interrupt delay generation after conversion start. These bits select the delay for the first interrupt after conversion start. 00 Fourth sample causes interrupt 01 Third sample causes interrupt 10 Second sample causes interrupt 11 First sample causes interrupt
SD16GAINx	Bits 5-3	SD16_A preamplifier gain 000 x1 001 x2 010 x4 011 x8 100 x16 101 x32 110 Reserved 111 Reserved
SD16INCHx	Bits 2-0	SD16_A channel differential pair input. The available selections are device dependent. See the device-specific data sheet. 000 Ax.0 or A0 [†] 001 Ax.1 [†] or A1 [‡] 010 Ax.2 [†] or A2 [‡] 011 Ax.3 [†] or A3 [‡] 100 Ax.4 [†] or A4 [‡] 101 (AV _{CC} - AV _{SS}) / 11 110 Temperature sensor 111 Short for PGA offset measurement

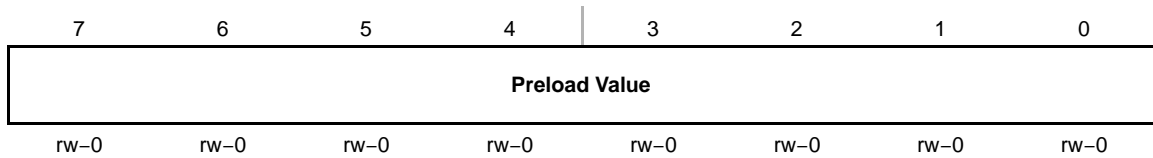
[†]Ax.1 to Ax.4 not available on all devices. See device-specific data sheet.

[‡] Applies to MSP430F42x0, MSP430FG42x0, MSP430FG47x, and MSP430F47x devices

SD16MEMx, SD16_A Channel x Conversion Memory Register

Conversion Result Bits 15-0 Conversion results. The SD16MEMx register holds the upper or lower 16-bits of the digital filter output, depending on the SD16LSBACC bit.

SD16PREx, SD16_A Channel x Preload Register
 (Not present on MSP430F42x0, MSP430FG42x0, MSP430FG47x and MSP430F47x)

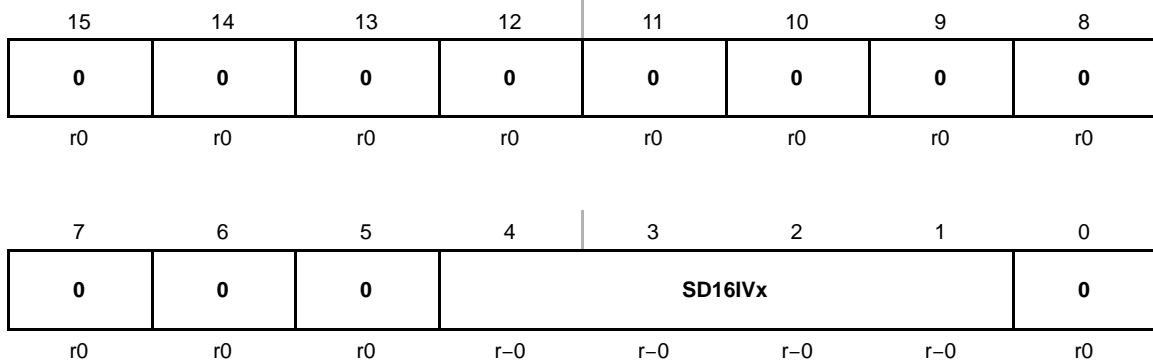


SD16 Preload Value Bits 7-0 SD16_A digital filter preload value.

**SD16AE, SD16_A Analog Input Enable Register
(Present on MSP430F42x0, MSP430FG42x0, MSP430FG47x, and MSP430F47x)**

7	6	5	4	3	2	1	0
SD16AE7	SD16AE6	SD16AE5	SD16AE4	SD16AE3	SD16AE2	SD16AE1	SD16AE0
rw-0	rw-0	rw-0	rw-0	rw-0	rw-0	rw-0	rw-0

SD16AE x	Bits	SD16_A analog enable
	7-0	0 External input disabled. Negative inputs are internally connected to VSS.
		1 External input enabled.

SD16IV, SD16_A Interrupt Vector Register

SD16IVx Bits SD16_A interrupt vector value
 15-0

SD16IV Contents	Interrupt Source	Interrupt Flag	Interrupt Priority
000h	No interrupt pending	–	
002h	SD16MEMx overflow	SD16CCTLx SD16OVIFG†	Highest
004h	SD16_A Channel 0 Interrupt	SD16CCTL0 SD16IFG	
006h	SD16_A Channel 1 Interrupt	SD16CCTL1 SD16IFG	
008h	SD16_A Channel 2 Interrupt	SD16CCTL2 SD16IFG	
00Ah	SD16_A Channel 3 Interrupt	SD16CCTL3 SD16IFG	
00Ch	SD16_A Channel 4 Interrupt	SD16CCTL4 SD16IFG	
00Eh	SD16_A Channel 5 Interrupt	SD16CCTL5 SD16IFG	
010h	SD16_A Channel 6 Interrupt	SD16CCTL6 SD16IFG	Lowest

† When an SD16_A overflow occurs, the user must check all SD16CCTLx SD16OVIFG flags to determine which channel overflowed.



DAC12

The DAC12 module is a 12-bit voltage-output digital-to-analog converter (DAC). This chapter describes the DAC12. Two DAC12 modules are implemented in the MSP430FG43x, MSP430FG461x, and MSP430FG47x devices. One DAC12 module is implemented in the MSP430x42x0 and MSP430F47x devices.

Topic	Page
31.1 DAC12 Introduction	31-2
31.2 DAC12 Operation	31-6
31.3 DAC12 Registers	31-13

31.1 DAC12 Introduction

The DAC12 module is a 12-bit voltage-output DAC. The DAC12 can be configured in 8-bit or 12-bit mode and may be used in conjunction with the DMA controller. When multiple DAC12 modules are present, they may be grouped together for synchronous update operation.

Features of the DAC12 include:

- 12-bit monotonic output
- 8-bit or 12-bit voltage output resolution
- Programmable settling time vs power consumption
- Internal or external reference selection
- Straight binary or 2s compliment data format
- Self-calibration option for offset correction
- Synchronized update capability for multiple DAC12s

Note: Multiple DAC12 Modules

Some devices may integrate more than one DAC12 module. When more than one DAC12 is present on a device, the multiple DAC12 modules operate identically.

Throughout this chapter, nomenclature appears such as DAC12_xDAT or DAC12_xCTL to describe register names. When this occurs, the x is used to indicate which DAC12 module is being discussed. In cases where operation is identical, the register is simply referred to as DAC12_xCTL.

The block diagram of the two DAC12 modules in the MSP430FG43x, MSP430FG47x, and MSP430FG461x devices is shown in Figure 31–1. The block diagram for the DAC12 module in the MSP430x42x0 and MSP430F47x devices is shown in Figure 31–2.

Figure 31-1. DAC12 Block Diagram

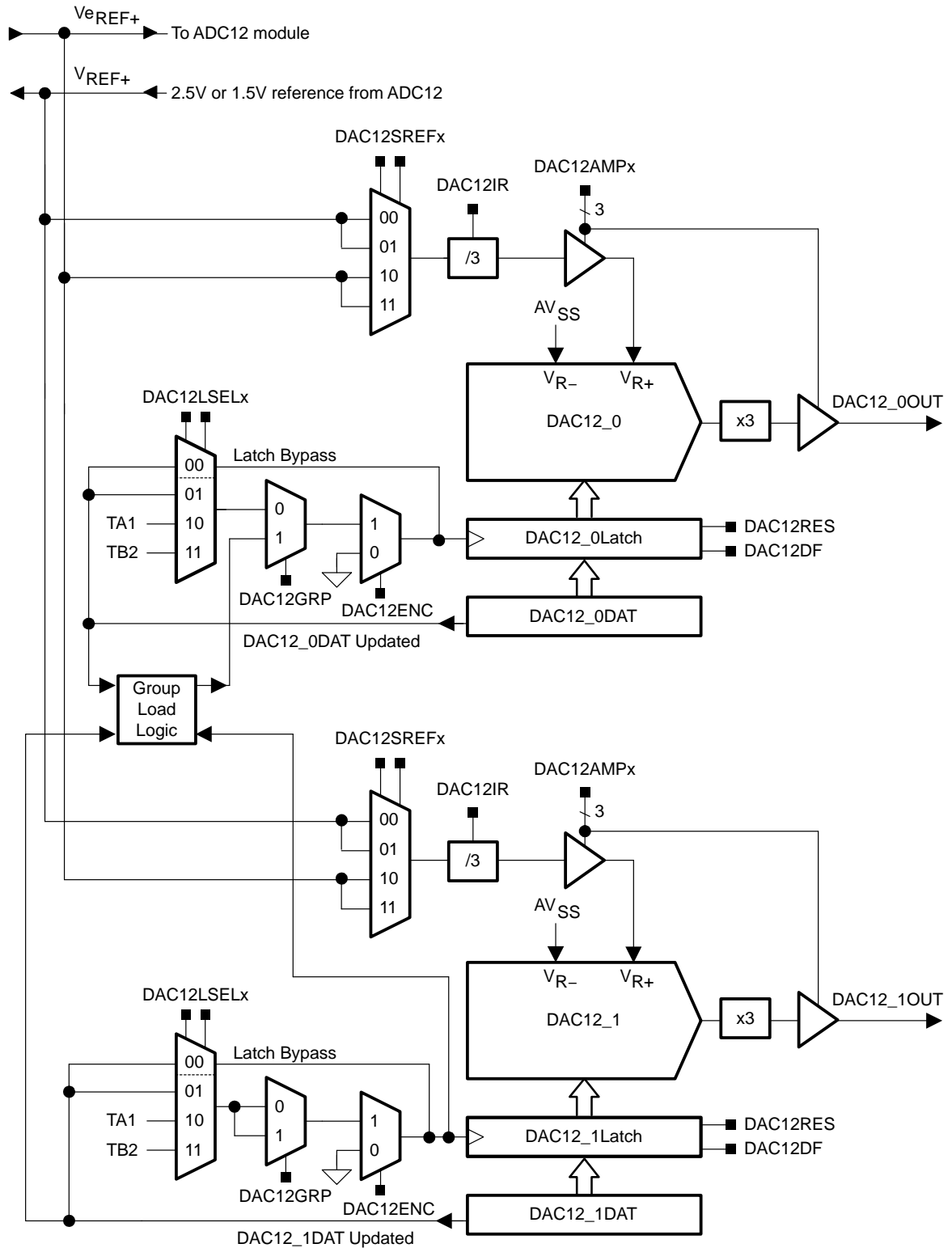


Figure 31-2. DAC12 Block Diagram For MSP430Fx42x0 and MSP430F47x Devices

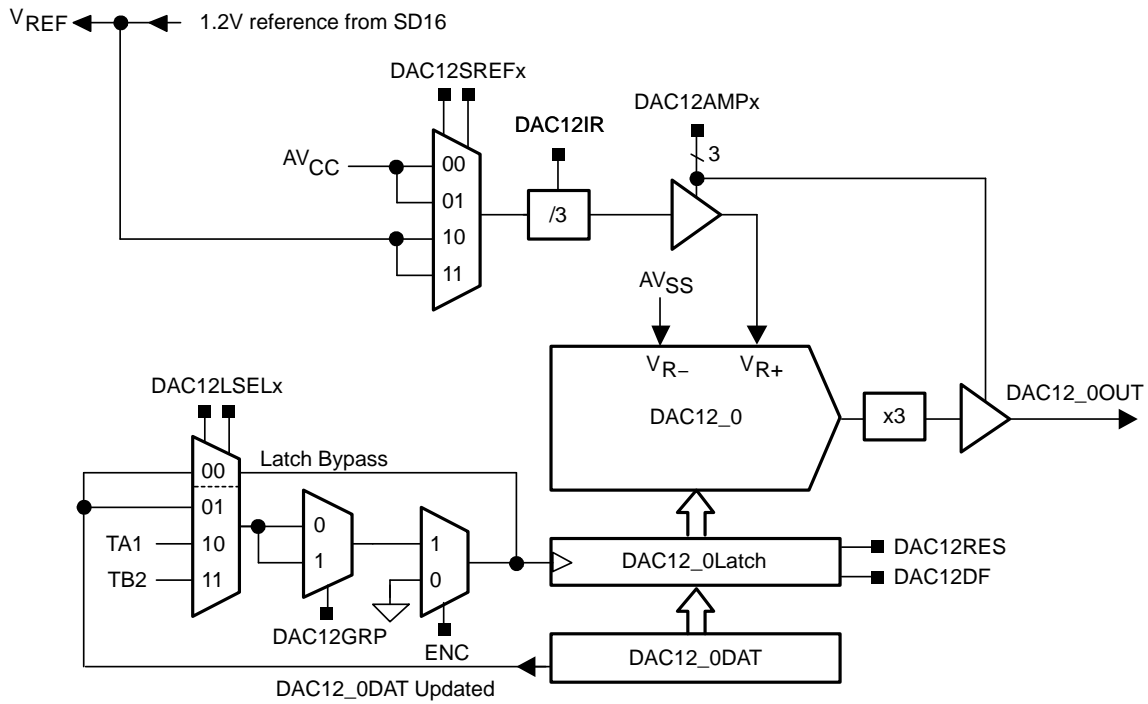
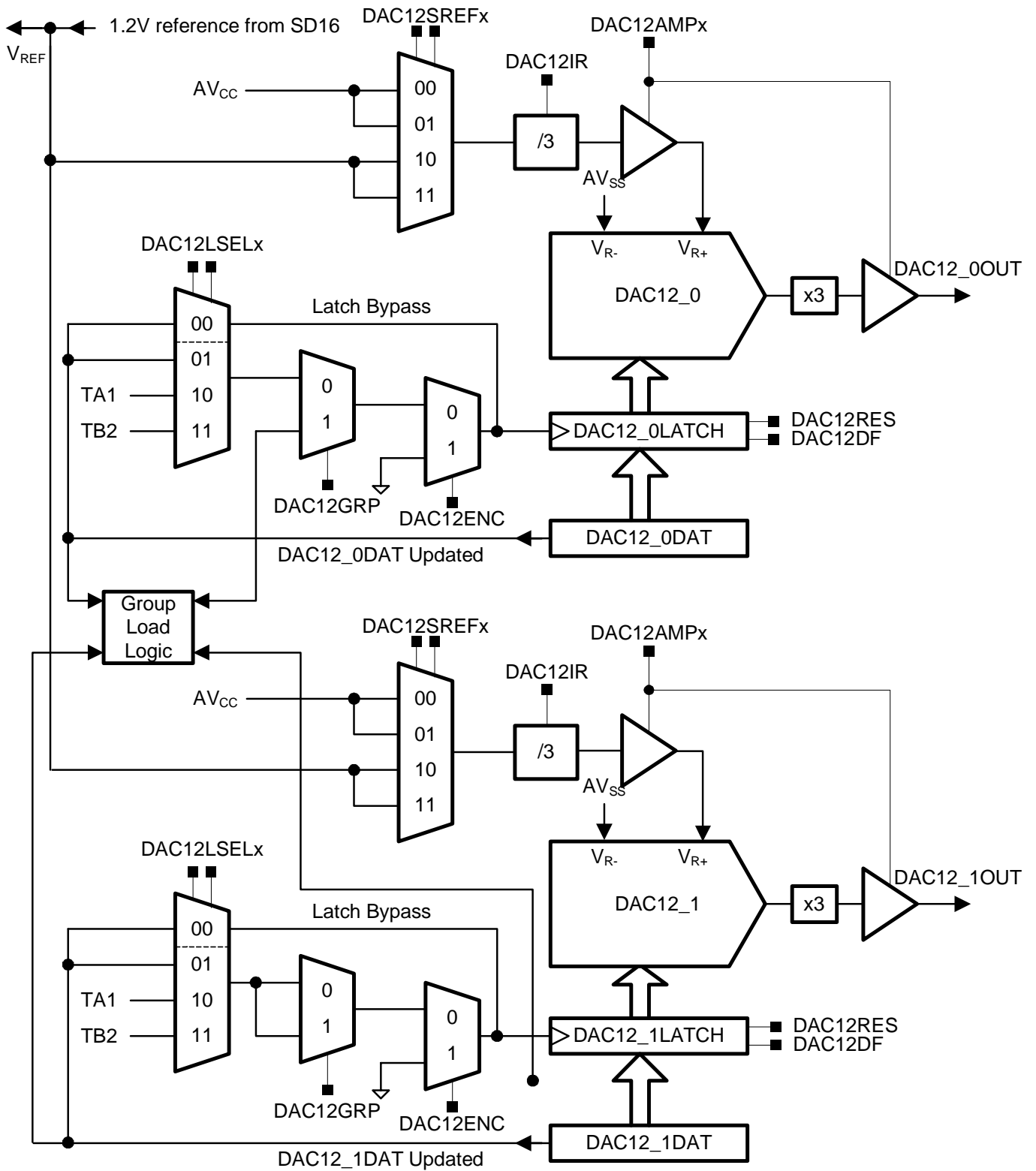


Figure 31-3. DAC12 Block Diagram For MSP430FG47x Devices



31.2 DAC12 Operation

The DAC12 module is configured with user software. The setup and operation of the DAC12 is discussed in the following sections.

31.2.1 DAC12 Core

The DAC12 can be configured to operate in 8-bit or 12-bit mode using the DAC12RES bit. The full-scale output is programmable to be 1x or 3x the selected reference voltage via the DAC12IR bit. This feature allows the user to control the dynamic range of the DAC12. The DAC12DF bit allows the user to select between straight binary data and 2s complement data for the DAC. When using straight binary data format, the formula for the output voltage is given in Table 31–1.

Table 31–1. DAC12 Full-Scale Range ($V_{ref} = V_{eREF+}$ or V_{REF+})

Resolution	DAC12RES	DAC12IR	Output Voltage Formula
12 bit	0	0	$V_{out} = V_{ref} \times 3 \times \frac{DAC12_xDAT}{4096}$
12 bit	0	1	$V_{out} = V_{ref} \times \frac{DAC12_xDAT}{4096}$
8 bit	1	0	$V_{out} = V_{ref} \times 3 \times \frac{DAC12_xDAT}{256}$
8 bit	1	1	$V_{out} = V_{ref} \times \frac{DAC12_xDAT}{256}$

In 8-bit mode the maximum useable value for DAC12_xDAT is 0FFh, and in 12-bit mode the maximum useable value for DAC12_xDAT is 0FFFh. Values greater than these may be written to the register, but all leading bits are ignored.

Note: Using the DAC12IR = 0

The maximum DAC12 output voltage (full scale) is limited to AV_{cc} . Using the equation of Table 31–1 (DAC12IR = 0), this leads to $V_{ref} \leq AV_{cc}/3$.

DAC12 Port Selection

On MSP430FG43x and MSP430FG461x devices, the DAC12 outputs are multiplexed with the port P6 pins and ADC12 analog inputs, and also the V_{REF+} and P5.1/S0/A12 pins. When $DAC12AMPx > 0$, the DAC12 function is automatically selected for the pin, regardless of the state of the associated $PxSELx$ and $PxDIRx$ bits. The DAC12OPS bit selects between the P6 pins and the V_{REF+} and P5.1 pins for the DAC outputs. For example, when $DAC12OPS = 0$, DAC12_0 outputs on P6.6 and DAC12_1 outputs on P6.7. When $DAC12OPS = 1$, DAC12_0 outputs on V_{REF+} and DAC12_1 outputs on P5.1. See the port pin schematic in the device-specific data sheet for more details.

On MSP430x42x0 devices, the DAC12 output is multiplexed with the port P1.4/A3- pin. In this case, the DAC12OPS bit selects the DAC function for the pin. See the port pin schematic in the device-specific data sheet for more details.

On MSP430FG47x devices, the DAC12 output is multiplexed with the port pins P1.6/OA0I0/A2-/DAC0 (DAC12_0) and P1.4/TBCLK/SMCLK/A3-/OA1I0/DAC1 (DAC12_1). The DAC12OPS bit selects the DAC12 function for the pin. See the port pin schematic in the device-specific data sheet for more details.

31.2.2 DAC12 Reference

On MSP430FG43x and MSP430FG461x devices, the reference for the DAC12 is configured to use either an external reference voltage or the internal 1.5-V/2.5-V reference from the ADC12 module with the DAC12SREFx bits. When $DAC12SREFx = \{0,1\}$ the V_{REF+} signal is used as the reference, and when $DAC12SREFx = \{2,3\}$ the V_{REF+} signal is used as the reference.

On MSP430Fx42x0 and MSP430FG47x devices, the reference for the DAC12 is configured to use AV_{CC} , an external reference voltage, or the 1.2-V reference from the SD16 module with the DAC12SREFx bits. When $DAC12SREFx = \{0,1\}$ AV_{CC} is used as the reference, and when $DAC12SREFx = \{2,3\}$ the V_{REF} signal is used as the reference.

To use an ADC internal reference, it must be enabled and configured via the applicable ADC control bits.

Note: Using the SD16 Reference Voltage in the MSP430Fx42x0 and MSP430FG47x Devices

If the DAC12 module uses the SD16 voltage reference, the reference voltage buffer of the SD16 module must be enabled ($SD16VMIDON = 1$).

DAC12 Reference Input and Voltage Output Buffers

The reference input and voltage output buffers of the DAC12 can be configured for optimized settling time vs power consumption. Eight combinations are selected using the DAC12AMPx bits. In the low/low setting, the settling time is the slowest, and the current consumption of both buffers is the lowest. The medium and high settings have faster settling times, but the current consumption increases. See the device-specific data sheet for parameters.

31.2.3 Updating the DAC12 Voltage Output

The DAC12_xDAT register can be connected directly to the DAC12 core or double buffered. The trigger for updating the DAC12 voltage output is selected with the DAC12LSELx bits.

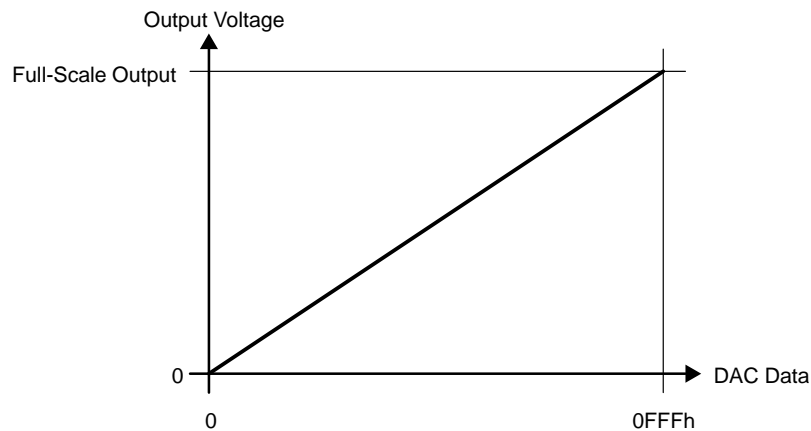
When DAC12LSELx = 0 the data latch is transparent and the DAC12_xDAT register is applied directly to the DAC12 core. the DAC12 output updates immediately when new DAC12 data is written to the DAC12_xDAT register, regardless of the state of the DAC12ENC bit.

When DAC12LSELx = 1, DAC12 data is latched and applied to the DAC12 core after new data is written to DAC12_xDAT. When DAC12LSELx = 2 or 3, data is latched on the rising edge from the Timer_A CCR1 output or Timer_B CCR2 output respectively. DAC12ENC must be set to latch the new data when DAC12LSELx > 0.

31.2.4 DAC12_xDAT Data Format

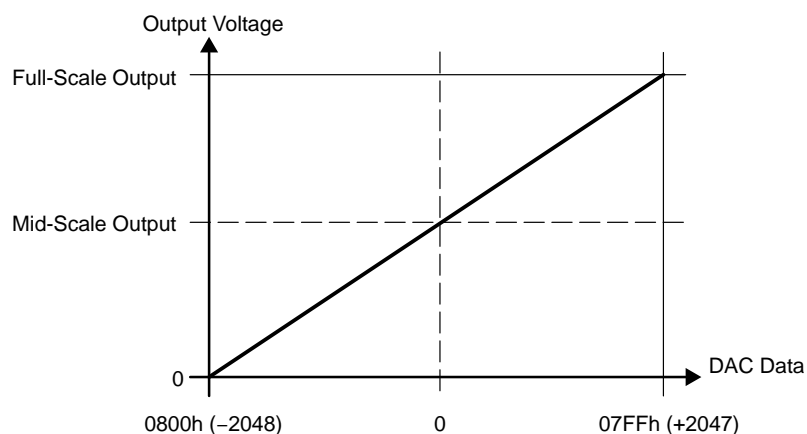
The DAC12 supports both straight binary and 2s compliment data formats. When using straight binary data format, the full-scale output value is 0FFFh in 12-bit mode (0FFh in 8-bit mode) (see Figure 31–4).

Figure 31–4. Output Voltage vs DAC12 Data, 12-Bit, Straight Binary Mode



When using 2s compliment data format, the range is shifted such that a DAC12_xDAT value of 0800h (0080h in 8-bit mode) results in a zero output voltage, 0000h is the mid-scale output voltage, and 07FFh (007Fh for 8-bit mode) is the full-scale voltage output (see Figure 31–5).

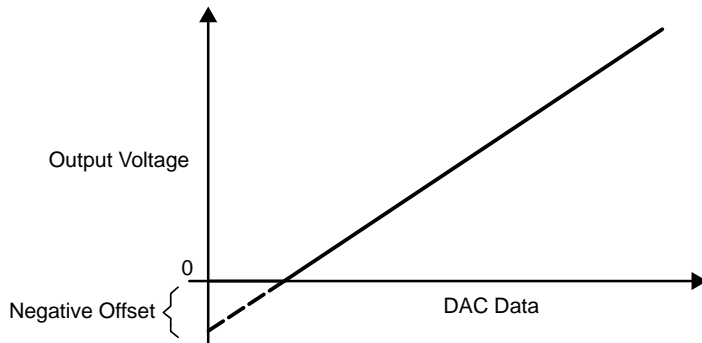
Figure 31–5. Output Voltage vs DAC12 Data, 12-Bit, 2s Compliment Mode



31.2.5 DAC12 Output Amplifier Offset Calibration

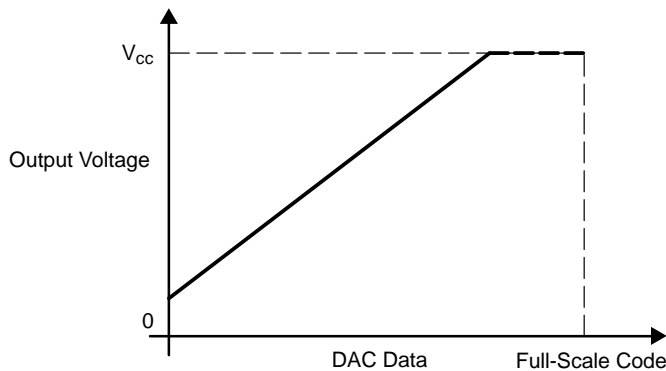
The offset voltage of the DAC12 output amplifier can be positive or negative. When the offset is negative, the output amplifier attempts to drive the voltage negative but cannot do so. The output voltage remains at zero until the DAC12 digital input produces a sufficient positive output voltage to overcome the negative offset voltage, resulting in the transfer function shown in Figure 31–6.

Figure 31–6. Negative Offset



When the output amplifier has a positive offset, a digital input of zero does not result in a zero output voltage. The DAC12 output voltage reaches the maximum output level before the DAC12 data reaches the maximum code (see Figure 31–7).

Figure 31–7. Positive Offset



The DAC12 has the capability to calibrate the offset voltage of the output amplifier. Setting the DAC12CALON bit initiates the offset calibration. The calibration should complete before using the DAC12. When the calibration is complete, the DAC12CALON bit is automatically reset. The DAC12AMPx bits should be configured before calibration. For best calibration results, port and CPU activity should be minimized during calibration.

31.2.6 Grouping Multiple DAC12 Modules

Multiple DAC12s can be grouped together with the DAC12GRP bit to synchronize the update of each DAC12 output. Hardware ensures that all DAC12 modules in a group update simultaneously independent of any interrupt or NMI event.

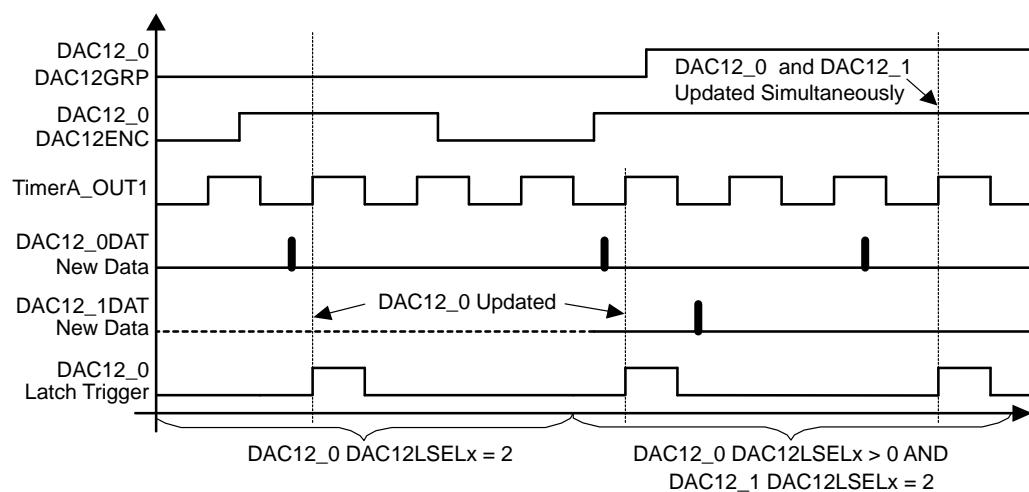
On the MSP430FG43x, MSP430FG47x and MSP430FG461x devices, DAC12_0 and DAC12_1 are grouped by setting the DAC12GRP bit of DAC12_0. The DAC12GRP bit of DAC12_1 is don't care. When DAC12_0 and DAC12_1 are grouped:

- ❑ The DAC12_0 DAC12LSELx bits select the update trigger for both DACs
- ❑ The DAC12LSELx bits for both DACs must be > 0
- ❑ The DAC12ENC bits of both DACs must be set to 1

When DAC12_0 and DAC12_1 are grouped, both DAC12_xDAT registers must be written to before the outputs update – even if data for one or both of the DACs is not changed. Figure 31–8 shows a latch-update timing example for grouped DAC12_0 and DAC12_1.

When DAC12_0 DAC12GRP = 1 and both DAC12_x DAC12LSELx > 0 and either DAC12ENC = 0, neither DAC12 will update.

Figure 31–8. DAC12 Group Update Example, Timer_A3 Trigger



Note: DAC12 Settling Time

The DMA controller is capable of transferring data to the DAC12 faster than the DAC12 output can settle. The user must assure the DAC12 settling time is not violated when using the DMA controller. See the device-specific data sheet for parameters.

31.2.7 DAC12 Interrupts

The DAC12 interrupt vector is shared with the DMA controller on some devices (see device-specific data sheet for interrupt assignment). In this case, software must check the DAC12IFG and DMAIFG flags to determine the source of the interrupt.

The DAC12IFG bit is set when $DAC12LSELx > 0$ and DAC12 data is latched from the DAC12_xDAT register into the data latch. When $DAC12LSELx = 0$, the DAC12IFG flag is not set.

A set DAC12IFG bit indicates that the DAC12 is ready for new data. If both the DAC12IE and GIE bits are set, the DAC12IFG generates an interrupt request. The DAC12IFG flag is not reset automatically. It must be reset by software.

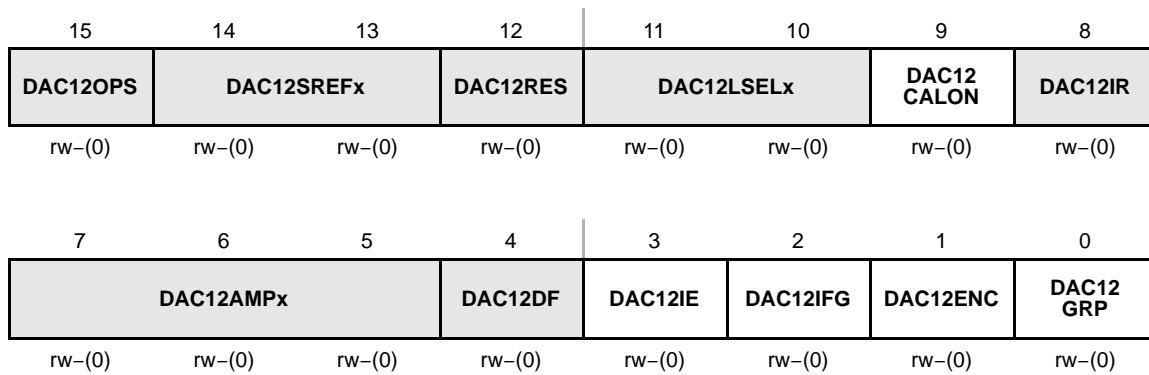
31.3 DAC12 Registers

The DAC12 registers are listed in Table 31–2.

Table 31–2. DAC12 Registers

Register	Short Form	Register Type	Address	Initial State
DAC12_0 control	DAC12_0CTL	Read/write	01C0h	Reset with POR
DAC12_0 data	DAC12_0DAT	Read/write	01C8h	Reset with POR
DAC12_1 control	DAC12_1CTL	Read/write	01C2h	Reset with POR
DAC12_1 data	DAC12_1DAT	Read/write	01CAh	Reset with POR

DAC12_xCTL, DAC12 Control Register



	Modifiable only when DAC12ENC = 0
--	-----------------------------------

DAC12OPS Bit 15 DAC12 output select
MSP430FG43x and MSP430FG461x Devices:
0 DAC12_0 output on P6.6, DAC12_1 output on P6.7
1 DAC12_0 output on V_{REF+}, DAC12_1 output on P5.1
MSP430Fx42x0 Devices:
0 DAC12_0 output not available external to the device
1 DAC12_0 output available internally and externally.
MSP430FG47x Devices:
0 DAC12_x output not available external to the device
1 DAC12_x output available internally and externally.

DAC12 SREFx Bits 14-13 DAC12 select reference voltage
MSP430FG43x and MSP430FG461x Devices:
00 V_{REF+}
01 V_{REF+}
10 V_{REF+}
11 V_{REF+}
MSP430Fx42x0 and MSP430FG47x Devices:
00 AV_{CC}
01 AV_{CC}
10 V_{REF} (internal from SD16_A or external)
11 V_{REF} (internal from SD16_A or external)

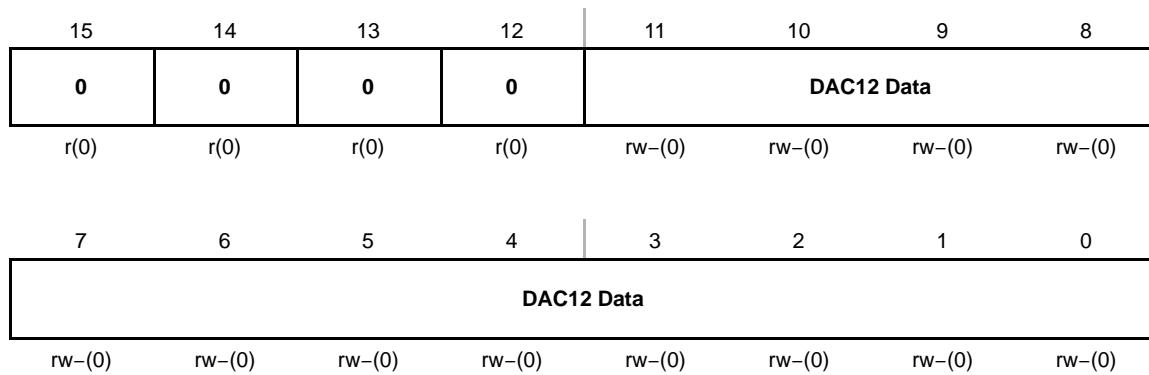
DAC12RES Bit 12 DAC12 resolution select
0 12-bit resolution
1 8-bit resolution

DAC12 LSELx	Bits 11-10	DAC12 load select. Selects the load trigger for the DAC12 latch. DAC12ENC must be set for the DAC to update, except when DAC12LSELx = 0. 00 DAC12 latch loads when DAC12_xDAT written (DAC12ENC is ignored) 01 DAC12 latch loads when DAC12_xDAT written, or, when grouped, when all DAC12_xDAT registers in the group have been written. 10 Rising edge of Timer_A.OUT1 (TA1) 11 Rising edge of Timer_B.OUT2 (TB2)
DAC12 CALON	Bit 9	DAC12 calibration on. This bit initiates the DAC12 offset calibration sequence and is automatically reset when the calibration completes. 0 Calibration is not active 1 Initiate calibration/calibration in progress
DAC12IR	Bit 8	DAC12 input range. This bit sets the reference input and voltage output range. 0 DAC12 full-scale output = 3x reference voltage 1 DAC12 full-scale output = 1x reference voltage
DAC12 AMPx	Bits 7-5	DAC12 amplifier setting. These bits select settling time vs. current consumption for the DAC12 input and output amplifiers.

DAC12AMPx	Input Buffer	Output Buffer
000	Off	DAC12 off, output high Z
001	Off	DAC12 off, output 0 V
010	Low speed/current	Low speed/current
011	Low speed/current	Medium speed/current
100	Low speed/current	High speed/current
101	Medium speed/current	Medium speed/current
110	Medium speed/current	High speed/current
111	High speed/current	High speed/current

DAC12DF	Bit 4	DAC12 data format 0 Straight binary 1 2s complement
DAC12IE	Bit 3	DAC12 interrupt enable 0 Disabled 1 Enabled
DAC12IFG	Bit 2	DAC12 Interrupt flag 0 No interrupt pending 1 Interrupt pending

DAC12ENC	Bit 1	DAC12 enable conversion. This bit enables the DAC12 module when DAC12LSELx > 0. When DAC12LSELx = 0, DAC12ENC is ignored. 0 DAC12 disabled 1 DAC12 enabled
DAC12GRP	Bit 0	DAC12 group. Groups DAC12_x with the next higher DAC12_x. Not used for DAC12_1 on MSP430FG43x, MSP430FG47x, MSP430x42x0, or MSP430FG461x devices. 0 Not grouped 1 Grouped

DAC12_xDAT, DAC12 Data Register

Unused Bits Unused. These bits are always 0 and do not affect the DAC12 core.
 15-12

DAC12 Data Bits DAC12 data
 11-0

DAC12 Data Format	DAC12 Data
12-bit binary	The DAC12 data are right-justified. Bit 11 is the MSB.
12-bit 2s complement	The DAC12 data are right-justified. Bit 11 is the MSB (sign).
8-bit binary	The DAC12 data are right-justified. Bit 7 is the MSB. Bits 11 to 8 are don't care and do not affect the DAC12 core.
8-bit 2s complement	The DAC12 data are right-justified. Bit 7 is the MSB (sign). Bits 11 to 8 are don't care and do not affect the DAC12 core.



Scan IF

The Scan IF peripheral automatically scans sensors and measures linear or rotational motion. This chapter describes the Scan interface. The Scan IF is implemented in the MSP430FW42x devices.

Topic	Page
32.1 Scan IF Introduction	32-2
32.2 Scan IF Operation	32-4
32.3 Scan IF Registers	32-35

32.1 Scan IF Introduction

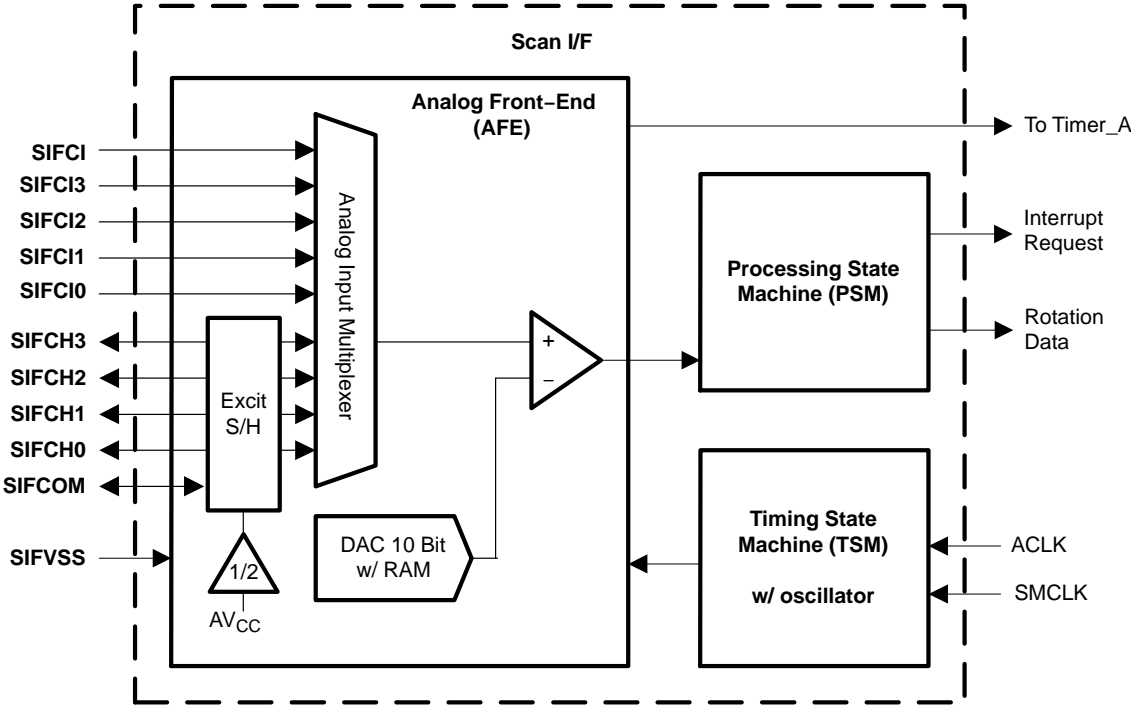
The Scan IF module is used to automatically measure linear or rotational motion with the lowest possible power consumption. The Scan IF consists of three blocks: the analog front end (AFE), the processing state machine (PSM), and the timing state machine (TSM). The analog front end stimulates the sensors, senses the signal levels and converts them into their digital representation. The digital signals are passed into the processing state machine. The processing state machine is used to analyze and count rotation or motion. The timing state machine controls the analog front end and the processing state machine.

The Scan IF features include:

- Support for different types of LC sensors
- Measurement of sensor signal envelope
- Measurement of sensor signal oscillation amplitude
- Support for resistive sensors such as Hall-effect or giant magneto-resistive (GMR) sensors
- Direct analog input for A/D conversion
- Direct digital input for digital sensors such as optical decoders
- Support for quadrature decoding

The Scan IF module block diagram is shown in Figure 32–1.

Figure 32-1. Scan IF Block Diagram



32.2 Scan IF Operation

The Scan IF is configured with user software. The setup and operation of the Scan IF is discussed in the following sections.

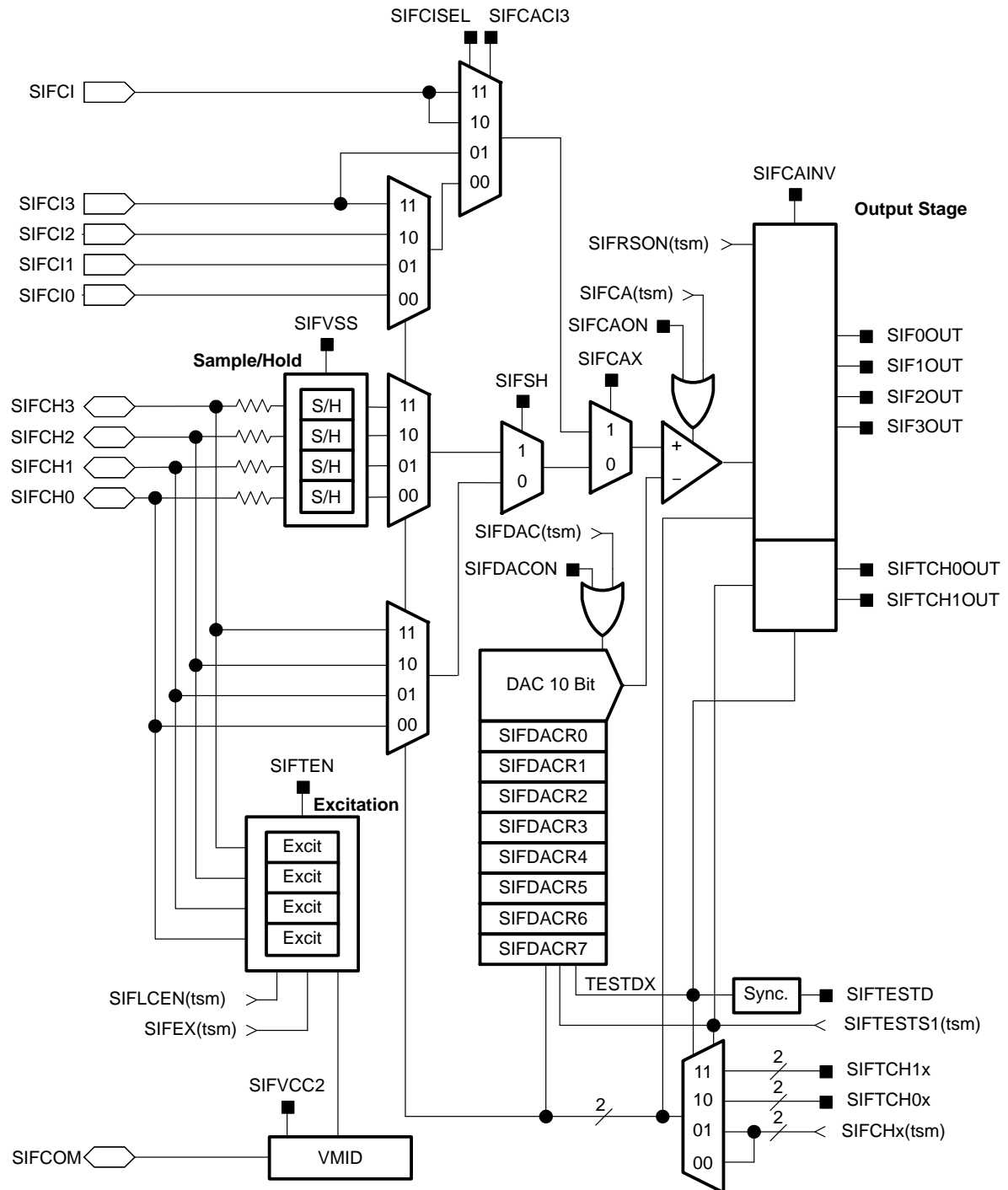
32.2.1 Scan IF Analog Front End

The Scan IF analog front end provides sensor excitation and measurement. The analog front end is automatically controlled by the timing state machine according to the information in the timing state machine table. The analog front end block diagram is shown in Figure 32-2.

Note: Timing State Machine Signals

Throughout this chapter, signals from the TSM are noted in the signal name with (tsm). For example, The signal SIFEX(tsm) comes from the TSM.

Figure 32–2. Scan IF Analog Front End Block Diagram



Excitation

The excitation circuitry is used to excite the LC sensors or to power the resistor dividers. The excitation circuitry is shown in Figure 32–3 for one LC sensor connected. When the SIFTEN bit is set and the SIFSH bit is cleared the excitation circuitry is enabled and the sample-and-hold circuitry is disabled.

When the SIFEX(tsm) signal from the timing state machine is high the SIFCHx input of the selected channel is connected to SIFV_{SS} and the SIFCOM input is connected to the mid-voltage generator to excite the sensor. The SIFLCEN(tsm) signal must be high for excitation. While one channel is excited and measured all other channels are automatically disabled. Only the selected channel is excited and measured.

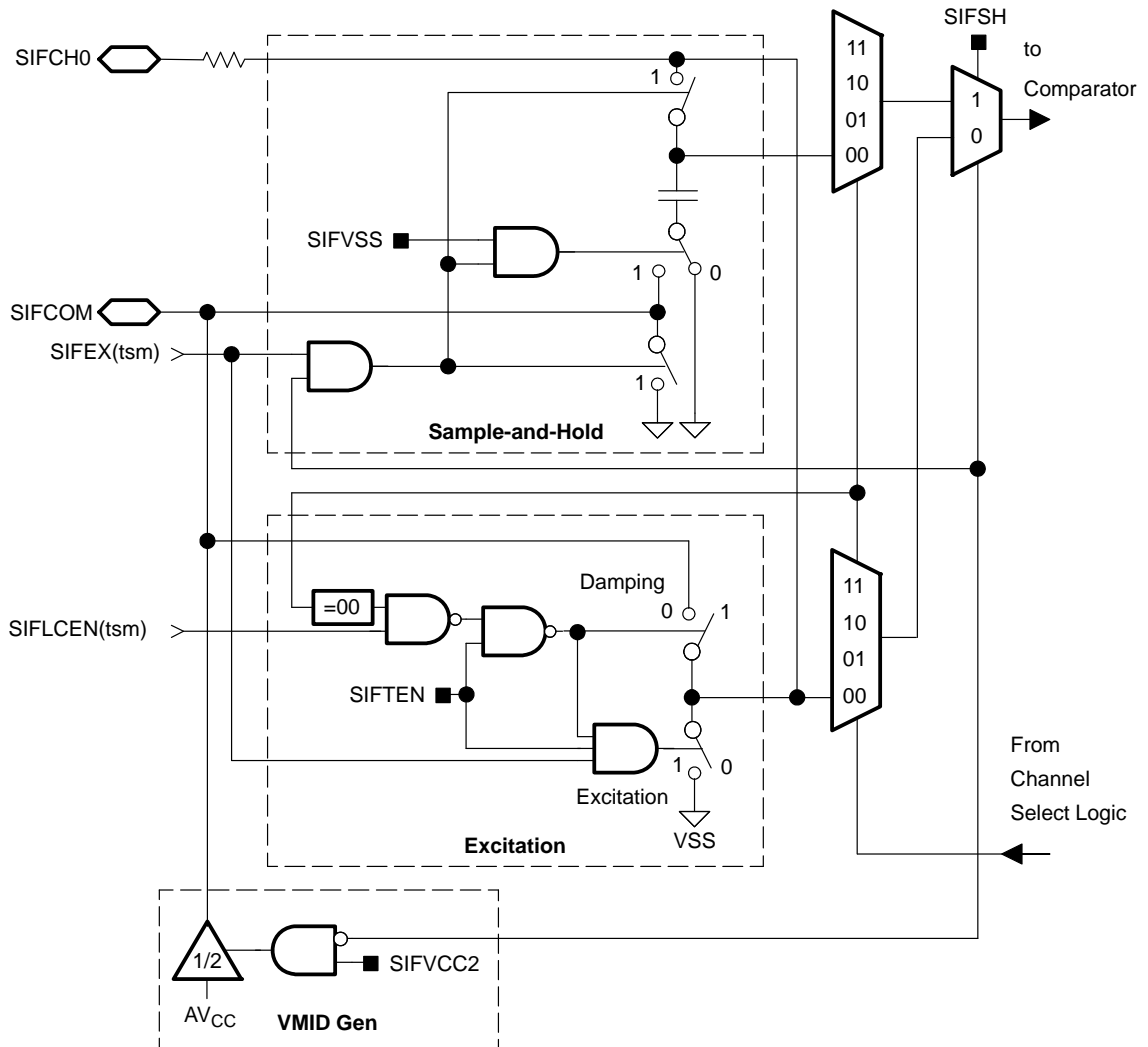
The excitation period should be long enough to overload the LC sensor slightly. After excitation the SIFCHx input is released from ground when SIFEX(tsm) = 0 and the LC sensor can oscillate freely. The oscillations will swing above the positive supply but will be clipped by the protection diode to the positive supply voltage plus one diode drop. This gives consistent maximum oscillation amplitude.

At the end of the measurement the sensor should be damped by setting SIFLCEN(tsm) = 0 to remove any residual energy before the next measurement.

Mid-Voltage Generator

The mid-voltage generator is on when SIFVCC2 = 1 and allows the LC sensors to oscillate freely. The mid-voltage generator requires a maximum of 6 ms to settle and requires ACLK to be active and operating at 32768 Hz.

Figure 32–3. Excitation and Sample-And-Hold Circuitry



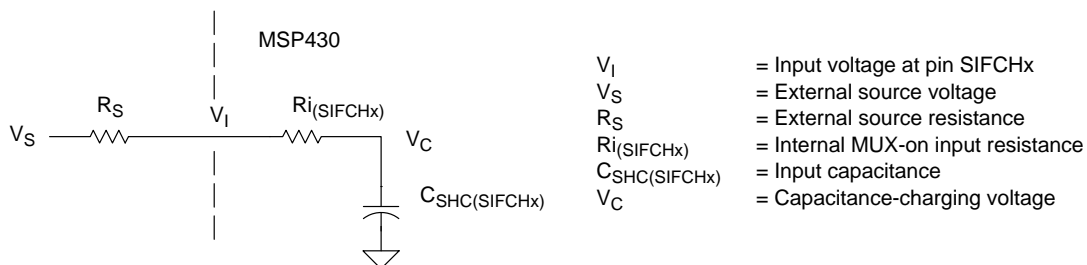
Sample-And-Hold

The sample-and-hold is used to sample the sensor voltage to be measured. The sample-and-hold circuitry is shown in Figure 32–3. When SIFSH = 1 and SIFTEN = 0 the sample-and-hold circuitry is enabled and the excitation circuitry and mid-voltage generator are disabled. The sample-and-hold is used for resistive dividers or for other analog signals that should be sampled.

Up to four resistor dividers can be connected to SIFCHx and SIFCOM. AV_{CC} and SIFCOM are the common positive and negative potentials for all connected resistor dividers. When SIFEX(tsm) = 1, SIFCOM is connected to SIFV_{SS} allowing current to flow through the dividers. This charges the capacitors of each sample-and-hold circuit to the divider voltages. All resistor divider channels are sampled simultaneously. When SIFEX(tsm) = 0 the sample-and-hold capacitor is disconnected from the resistor divider and SIFCOM is disconnected from SIFV_{SS}. After sampling, each channel can be measured sequentially using the channel select logic, the comparator, and the DAC.

The selected SIFCHx input can be modeled as an RC low-pass filter during the sampling time t_{sample} , as shown below in Figure 32–4. An internal MUX-on input resistance $R_{i(\text{SIFCHx})}$ (max. 3 k Ω) in series with capacitor $C_{\text{SHC}(\text{SIFCHx})}$ (max. 7 pF) is seen by the resistor-divider. The capacitor voltage V_C must be charged to within $\frac{1}{2}$ LSB of the resistor divider voltage for an accurate 10-bit conversion. See the device-specific data sheet for parameters.

Figure 32–4. Analog Input Equivalent Circuit



The resistance of the source R_S and $R_{i(\text{SIFCHx})}$ affect t_{sample} . The following equation can be used to calculate the minimum sampling time t_{sample} for a 10-bit conversion:

$$t_{\text{sample}} > (R_S + R_{i(\text{SIFCHx})}) \times \ln(2^{11}) \times C_{\text{SHC}(\text{SIFCHx})} \quad (1)$$

Substituting the values for $R_{i(\text{SIFCHx})}$ and $C_{\text{SHC}(\text{SIFCHx})}$ given above, the equation becomes:

$$t_{\text{sample}} > (R_S + 3\text{k}) \times 7.625 \times 7\text{pF} \quad (2)$$

For example, if R_S is 10 k Ω , t_{sample} must be greater than 684 ns.

Direct Analog And Digital Inputs

By setting the SIFCAX bit, external analog or digital signals can be connected directly to the comparator through the SIFC1x inputs. This allows measurement capabilities for optical encoders and other sensors.

Comparator Input Selection And Output Bit Selection

The SIFCAX and SIFSH bits select between the SIFC1x channels and the SIFCHx channels for the comparator input as described in Table 32–1.

Table 32–1. SIFCAX and SIFSH Input Selection

SIFCAX	SIFSH	Operation
0	0	SIFCHx and excitation circuitry is selected
0	1	SIFCHx and sample-and-hold circuitry is selected
1	X	SIFC1x inputs are selected

The TESTDX signal and SIFTESTS1(tsm) signal select between the SIFxOUT output bits and the SIFTCHxOUT output bits for the comparator output as described in Table 32–2. TESTDX is controlled by the SIFTESTD bit.

Table 32–2. Selected Output Bits

TESTDX	SIFCHx(tsm)	SIFTESTS1(tsm)	Selected Output Bit
0	00	X	SIF0OUT
0	01	X	SIF1OUT
0	10	X	SIF2OUT
0	11	X	SIF3OUT
1	X	0	SIFTCH0OUT
1	X	1	SIFTCH1OUT

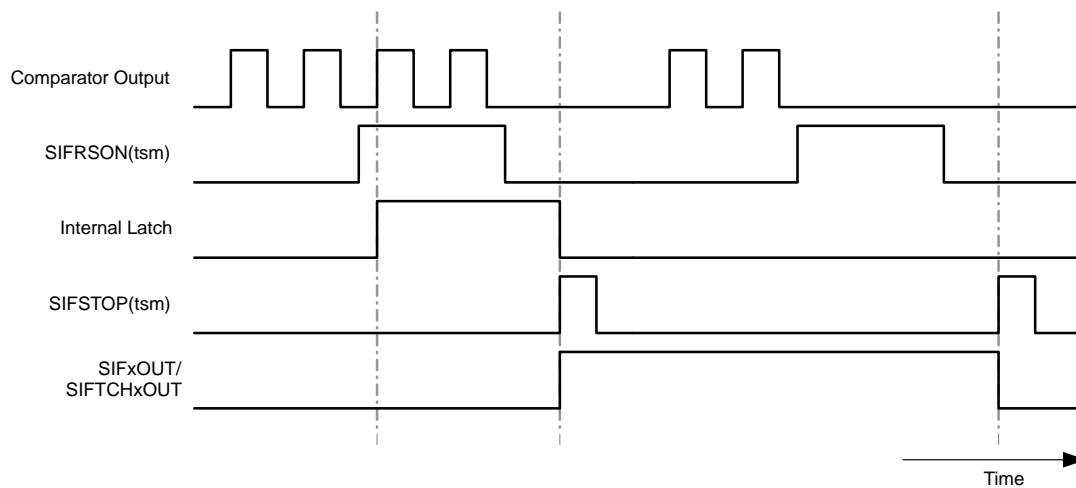
When TESTDX = 0, the SIFCHx(tsm) signals select which SIFC1x or SIFCHx channel is excited and connected to the comparator. The SIFCHx(tsm) signals also select the corresponding output bit for the comparator result.

When TESTDX = 1, channel selection depends on the SIFTESTS1(tsm) signal. When TESTDX = 1 and SIFTESTS1(tsm) = 0, input channel selection is controlled with the SIFTCH0x bits and the output bit is SIFTCH0OUT. When TESTDX = 1 and SIFTESTS1(tsm) = 1, input channel selection is controlled with the SIFTCH1x bits and the output bit is SIFTCH1OUT.

When SIFCAX = 1, the SIFCISEL and SIFCACI3 bits select between the SIFCIx channels and the SIFCI input allowing storage of the comparator output for one input signal into the four output bits SIF0OUT - SIF3OUT. This can be used to observe the envelope function of sensors.

The output logic is enabled by the SIFRSON(tsm) signal. When the comparator output is high while SIFRSON = 1, an internal latch is set. Otherwise the latch is reset. The latch output is written into the selected output bit with the rising edge of the SIFSTOP(tsm) signal as shown in Figure 32-5.

Figure 32-5. Analog Front-End Output Timing



Comparator and DAC

The analog input signals are converted into digital signals by the comparator and the programmable 10-bit DAC. The comparator compares the selected analog signal to a reference voltage generated by the DAC. If the voltage is above the reference the comparator output will be high. Otherwise it will be low. The comparator output can be inverted by setting SIFCAINV. The comparator output is stored in the selected output bit and processed by the processing state machine to detect motion and direction.

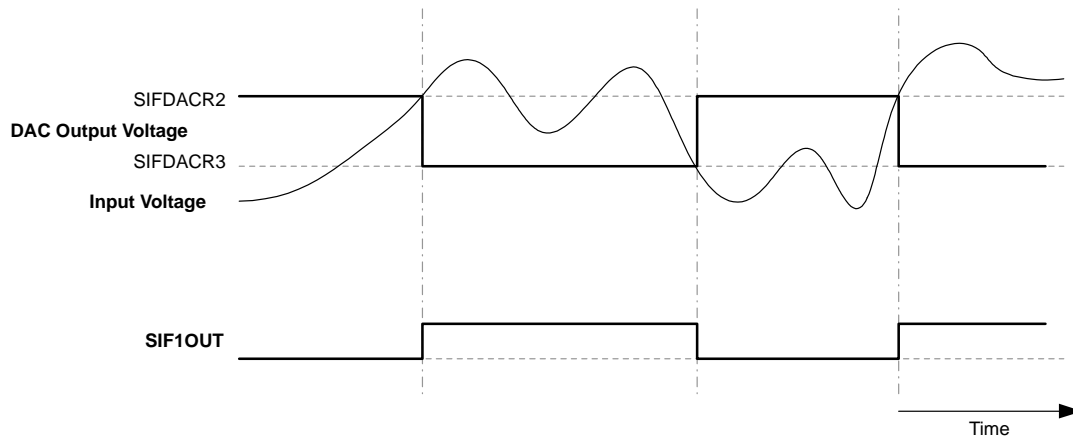
The comparator and the DAC are turned on and off by SIFCA(tsm) signal and the SIFDAC(tsm) signal when needed by the timing state machine. They can also be permanently enabled by setting the SIFCAON and SIFDACON bits. During sensitive measurements enabling the comparator and DAC with the SIFCAON and SIFDACON bits may improve resolution.

For each input there are two DAC registers to set the reference level as listed in Table 32–3. Together with the last stored output of the comparator, SIFxOUT, the two levels can be used as an analog hysteresis as shown in Figure 32–6. The individual settings for the four inputs can be used to compensate for mismatches between the sensors.

Table 32–3. Selected DAC Registers

Selected Output Bit, SIFxOUT	Last Value of SIFxOUT	DAC Register Used
SIF0OUT	0	SIFDACR0
	1	SIFDACR1
SIF1OUT	0	SIFDACR2
	1	SIFDACR3
SIF2OUT	0	SIFDACR4
	1	SIFDACR5
SIF3OUT	0	SIFDACR6
	1	SIFDACR7

Figure 32–6. Analog Hysteresis With DAC Registers



When TESTDX = 1, the SIFDACR6 and SIFDACR7 registers are used as the comparator reference as described in Table 32–4.

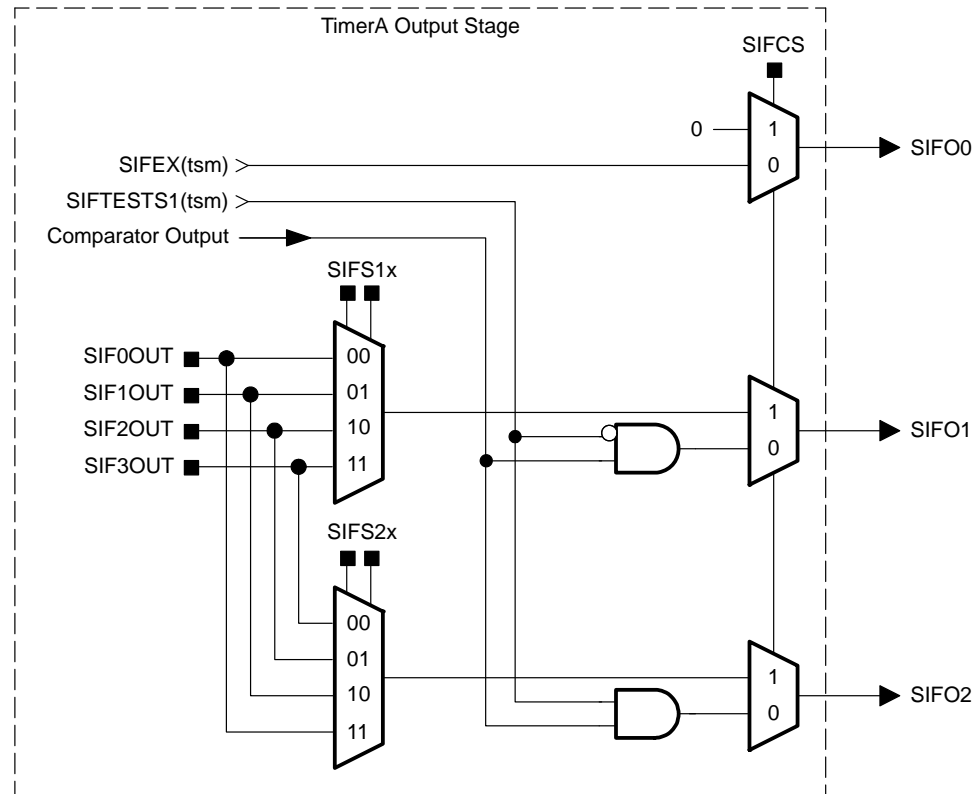
Table 32–4. DAC Register Select When TESTDX = 1

SIFTESTS1(tsm)	DAC Register Used
0	SIFDACR6
1	SIFDACR7

Internal Signal Connections to Timer1_A5

The outputs of the analog front end are connected to 3 different capture/compare registers of Timer1_A5. The output stage of the analog front end, shown in Figure 32–7. provides two different modes that are selected by the SIFCS bit and provides the SIF0x signals to Timer1_A5. See the device-specific data sheet for connection of these signals.

Figure 32–7. TimerA Output Stage of the Analog Front End



When SIFCS = 0, the SIFEX(tsm) signal and the comparator output can be selected as inputs to different Timer1_A5 capture/compare registers. This can be used to measure the time between excitation of a sensor and the last oscillation that passes through the comparator or to perform a slope A/D conversion.

When SIFCS = 1, the output bits SIFxOUT can be selected as inputs to Timer1_A5 with the SIFS1x and SIFS2x bits. This can be used to measure the duty cycle of SIFxOUT.

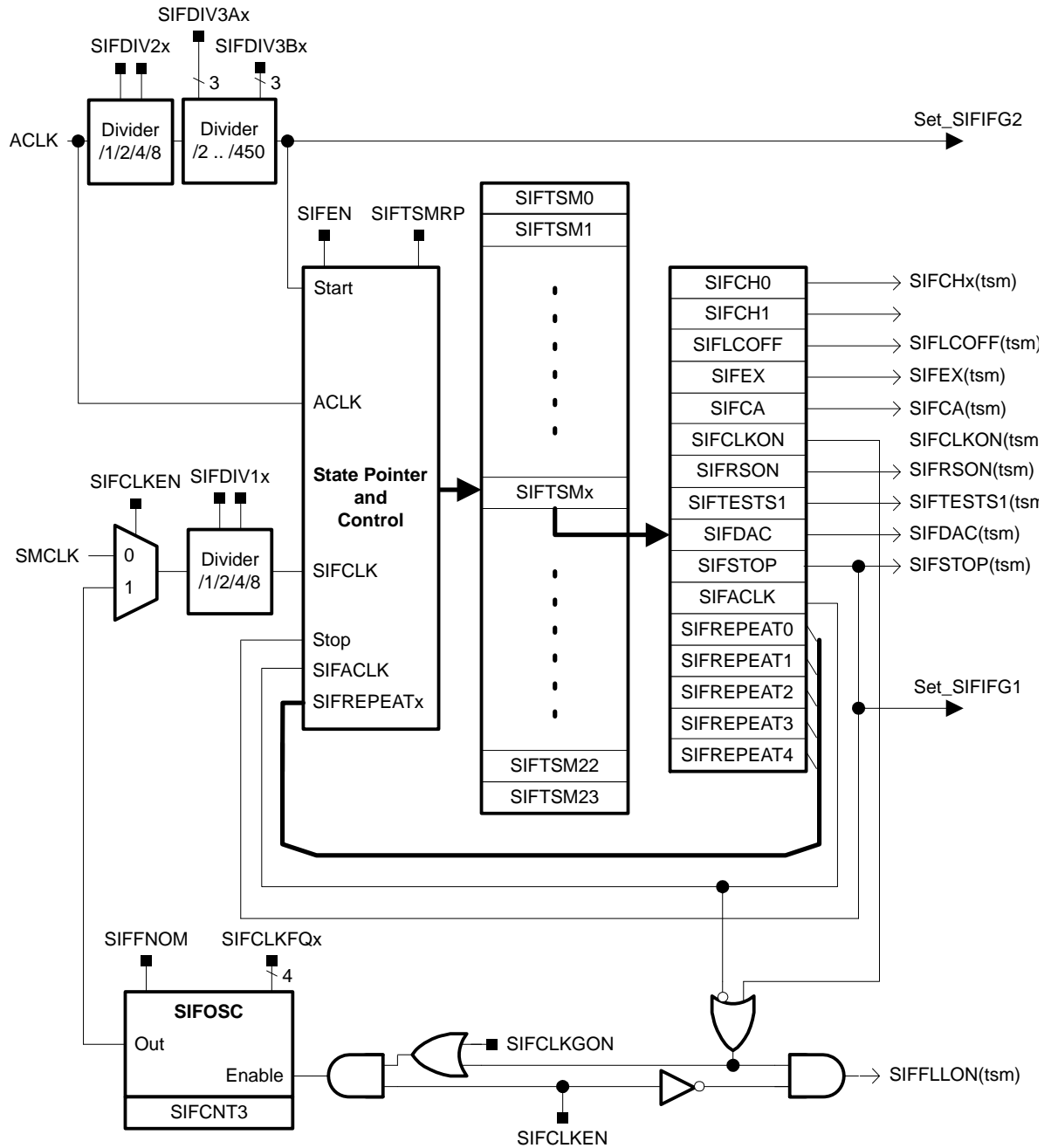
32.2.2 Scan IF Timing State Machine

The TSM is a sequential state machine that cycles through the SIFTSMx registers and controls the analog front end and sensor excitation automatically with no CPU intervention. The states are defined within a 24 x 16-bit memory, SIFTSM0 to SIFTSM23. The SIFEN bit enables the TSM. When SIFEN = 0, the ACLK input divider, the TSM start flip-flop, and the TSM outputs are reset and the internal oscillator is stopped. The TSM block diagram is shown in Figure 32–8.

The TSM begins at SIFTSM0 and ends when the TSM encounters a SIFTSMx state with a set SIFTSTOP bit. When a state with a set SIFTSTOP bit is reached, the state counter is reset to zero and state processing stops. State processing re-starts at SIFTSM0 with the next start condition when SIFTSMRP = 0, or immediately when SIFTSMRP = 1

After generation of the SIFSTOP(tsm) pulse, the timing state machine will load and maintain the conditions defined in SIFTSM0. In this state SIFLCEN(tsm) should be reset to ensure that all LC oscillators are shorted.

Figure 32–8. Timing State Machine Block Diagram



TSM Operation

The TSM automatically starts and re-starts periodically based on a divided ACLK start signal selected with the SIFDIV2x bits, the SIFDIV3Ax and SIFDIV3Bx bits when SIFTSMRP = 0. For example, if SIFDIV3A and SIFDIV3B are configured to 270 ACLK cycles, then the TSM automatically starts every 270 ACLK cycles. When SIFTSMRP = 1 the TSM re-starts immediately with the SIFTSM0 state at the end of the previous sequence i.e. with the next ACLK cycle after encountering a state with SIFSTOP = 1. The SIFIFG2 interrupt flag is set when the TSM starts.

The SIFDIV3Ax and SIFDIV3Bx bits may be updated anytime during operation. When updated, the current TSM sequence will continue with the old settings until the last state of the sequence completes. The new settings will take affect at the start of the next sequence.

TSM Control of the AFE

The TSM controls the AFE with the SIFCHx, SIFLCEN, SIFEX, SIFCA, SIFRSON, SIFTESTS1, SIFDAC, and SIFSTOP bits. When any of these bits are set, their corresponding signal(s), SIFCHx(tsm), SIFLCEN(tsm), SIFEX(tsm), SIFCA(tsm), SIFRSON(tsm), SIFTESTS1(tsm), SIFDAC(tsm), and SIFSTOP(tsm) are high for the duration of the state. Otherwise, the corresponding signal(s) are low.

TSM State Duration

The duration of each state is individually configurable with the SIFREPEATx bits. The duration of each state is SIFREPEATx + 1 times the selected clock source. For example, if a state were defined with SIFREPEATx = 3 and SIFACLK = 1, the duration of that state would be 4 x ACLK cycles. Because of clock synchronization, the duration of each state is affected by the clock source for the previous state, as shown in Table 32–5.

Table 32–5. TSM State Duration

SIFACLK		State Duration, T
For Previous State	For Current State	
0	0	$T = (\text{SIFREPEATx} + 1) \times 1/f_{\text{SIFCLK}}$
0	1	$(\text{SIFREPEATx}) \times 1/f_{\text{ACLK}} < T \leq (\text{SIFREPEATx} + 1) \times 1/f_{\text{ACLK}}$
1	0	$(\text{SIFREPEATx} + 1) \times 1/f_{\text{SIFCLK}} \leq T < (\text{SIFREPEATx} + 2) \times 1/f_{\text{SIFCLK}}$
1	1	$T = (\text{SIFREPEATx} + 1) \times 1/f_{\text{ACLK}}$

TSM State Clock Source Select

The TSM clock source is individually configurable for each state. The TSM can be clocked from ACLK or a high frequency clock selected with the SIFACLK bit. When SIFACLK = 1, ACLK is used for the state, and when SIFACLK = 0, the high frequency clock is used. The high frequency clock can be sourced from SMCLK or the TSM internal oscillator, selected by the SIFCLKEN bit. The high-frequency clock can be divided by 1, 2, 4, or 8 with SIFDIV1x bits.

A set SIFCLKON bit is used to turn on the selected high frequency clock source for the duration of the state, when it is not used for the state. If the DCO is selected as the high frequency clock source, it is automatically turned on, regardless of the low-power mode settings of the MSP430.

The TSM internal oscillator generates a nominal frequency of 1MHz or 4MHz selected by the SIFFNOM bit and can be tuned in nominal 5% steps from -40% to +35% with the SIFCLKFQx. The frequency and the steps differ from device to device. See the device-specific data sheet for parameters.

The TSM internal oscillator frequency can be measured with ACLK. When SIFCLKEN = 1 and SIFCLKGON = 1 SIFCNT3 is reset, and beginning with the next rising edge of ACLK, SIFCNT3 counts the clock cycles of the internal oscillator. SIFCNT3 counts the internal oscillator cycles for one ACLK period when SIFNOM = 0 and four ACLK periods when SIFNOM = 1. Reading SIFCNT3 while it is counting will result in reading 01h.

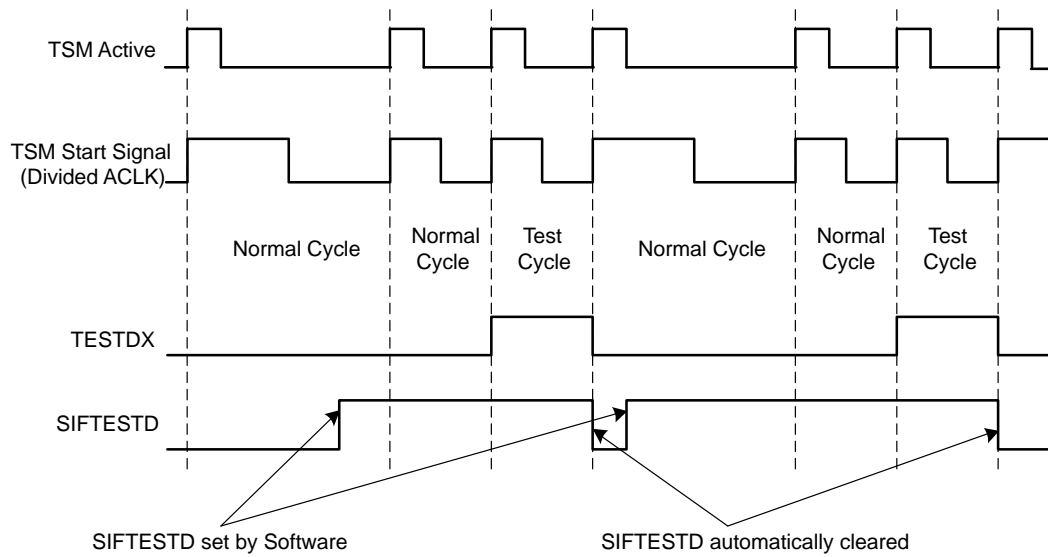
TSM Stop Condition

The last state the TSM is marked with SIFSTOP = 1. The duration of this last state is always one SIFCLK cycle regardless of the SIFACLK or SIFREPEATx settings. The SIFIFG1 interrupt flag is set at when the TSM encounters a state with a set SIFSTOP bit.

TSM Test Cycles

For calibration purposes, to detect sensor drift, or to measure signals other than the sensor signals, a test cycle may be inserted between TSM cycles by setting the SIFTESTD bit. The time between the TSM cycles is not altered by the test cycle insertion as shown in Figure 32–9. At the end of the test cycle the SIFTESTD bit is automatically cleared. The TESTDX signal is active during the test cycle to control input and output channel selection. TESTDX is generated after the SIFTESTD bit is set and the next TSM sequence completes.

Figure 32–9. Test Cycle Insertion



TSM Example

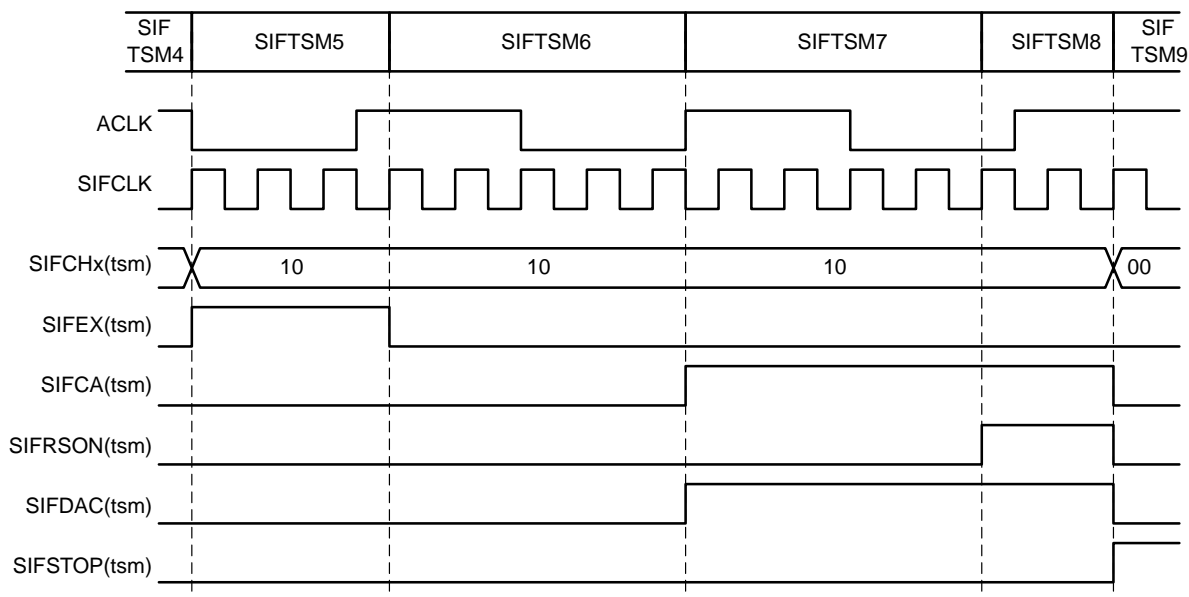
Figure 32–10 shows an example for a TSM sequence. The TSMx register values for the example are shown in Table 32–6. ACLK and SIFCLK are not drawn to scale. The TSM sequence starts with SIFTSM0 and ends with a set SIFSTOP bit in SIFTSM9. Only the SIFTSM5 to SIFTSM9 states are shown.

Table 32–6. TSM Example Register Values

TSMx Register	TSMx Register Contents
SIFTSM5	0100Ah
SIFTSM6	00402h
SIFTSM7	01912h
SIFTSM8	00952h
SIFTSM9	00200h

The example also shows the affects of the clock synchronization when switching between SIFCLK and ACLK. In state SIFTSM6, SIFACLK is set, whereas in the previous state and the successive state, SIFACLK is cleared. The waveform shows the duration of SIFTSM6 is less than one ACLK cycle and the duration of state SIFTSM7 is up to one SIFCLK period longer than configured by the SIFREPEATx bits.

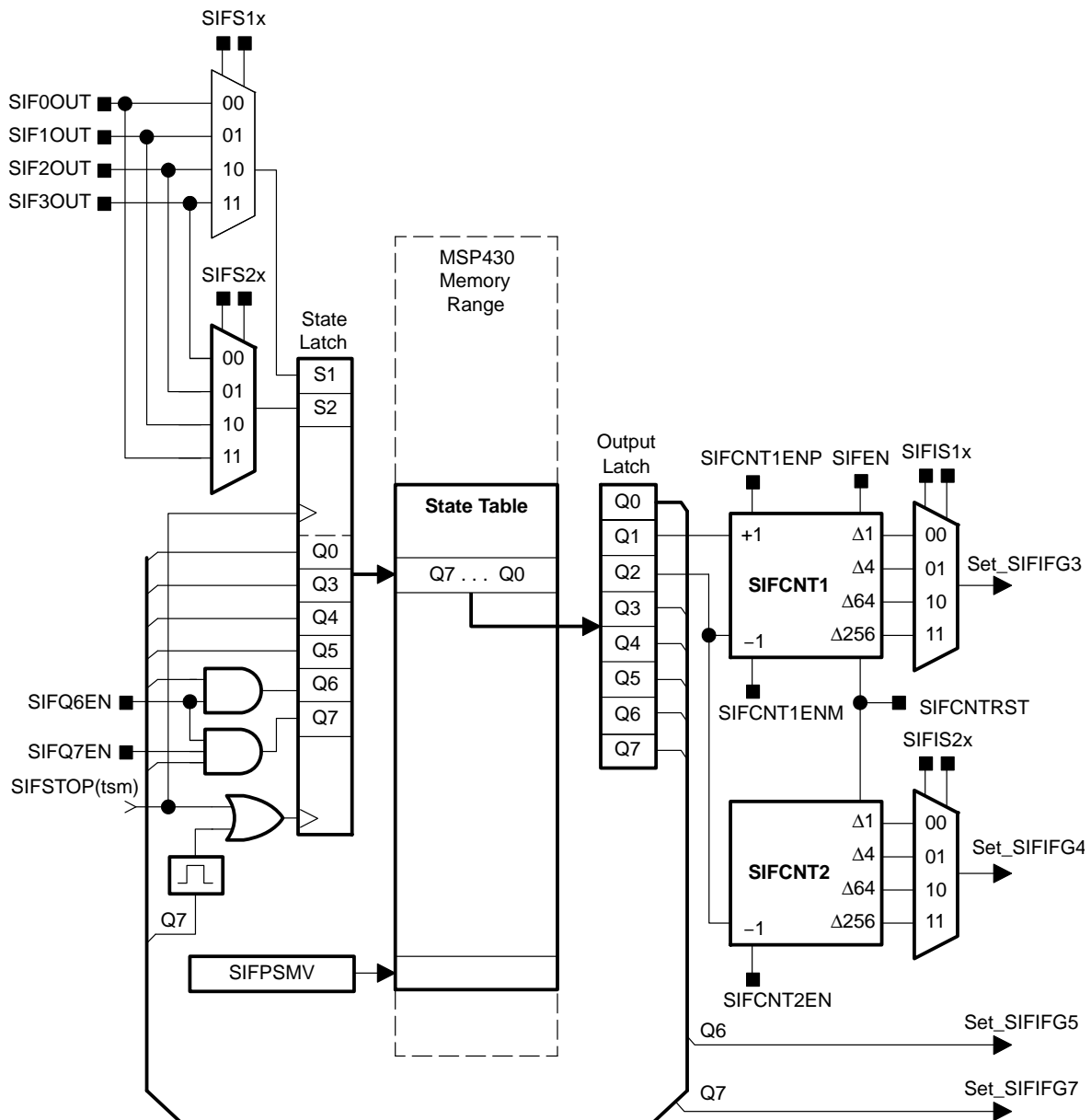
Figure 32–10. Timing State Machine Example



32.2.3 Scan IF Processing State Machine

The PSM is a programmable state machine used to determine rotation and direction with its state table stored within MSP430 memory (flash, ROM, or RAM). The processing state machine measures rotation and controls interrupt generation based on the inputs from the timing state machine and the analog front-end. The PSM vector SIFPSMV must to be initialized to point to the PSM state table. Multiple state tables are possible by reconfiguring the SIFPSMV to different tables as needed. The PSM block diagram is shown in Figure 32–11.

Figure 32–11. Scan IF Processing State Machine Block Diagram



PSM Operation

At the falling edge of the SIFSTOP(tsm) signal the PSM moves the current-state byte from the PSM state table to the PSM output latch. The PSM has one dedicated channel of direct memory access (DMA), so all accesses to the PSM state table(s) are done automatically with no CPU intervention.

The current-state and next-state logic are reset while the Scan IF is disabled. One of the bytes stored at addresses SIFPSMV to SIFPSMV + 3 will be loaded first depending on the S1 and S2 signals when the Scan IF is enabled.

Signals S1 and S2 form a 2-bit offset added to the SIFPSMV contents to determine the first byte loaded to the PSM output latch. For example, when S2 = 1, and S1 = 0, the first byte loaded by the PSM will be at the address SIFPSMV + 2. The next byte and further subsequent bytes are determined by the next state calculations and are calculated by the PSM based on the state table contents and the values of signals S1 and S2.

Note: SIFSTOP(tsm) Signal Frequency

The SIFSTOP(tsm) signal frequency must be at least a factor of 32 lower than the MCLK. Otherwise, unpredictable operation could occur.

Next State Calculation

Bits 0, and 3 - 5 (Q0, Q3, Q4, Q5), and, if enabled by SIFQ6EN and SIFQ7EN, bits 6 and 7 (Q6, Q7) are used together with the signals S1 and S2 to calculate the next state. When SIFQ6EN = 1, Q6 is used in the next-state calculation. When SIFQ6EN = 1 and SIFQ7EN = 1, Q7 is used in the next-state calculation. The next state is:

Q7	Q6	Q5	Q4	Q3	Q0	S2	S1
----	----	----	----	----	----	----	----

When Q7 = 0, the PSM state is updated by the falling edge of the SIFSTOP(tsm) at the end of a TSM sequence. After updating the current state the PSM moves the corresponding state table entry to the output latch. When Q7 = 1, the next state is calculated immediately without waiting for the next falling edge of SIFSTOP(tsm), regardless of the state of SIFQ6EN or SIFQ7EN. The state is then updated with the next instruction fetch. The worst-case time between state transitions in this case is 6 MCLK cycles.

PSM Counters

The PSM has two 8-bit counters SIFCNT1 and SIFCNT2. SIFCNT1 is updated with Q1 and Q2 and SIFCNT2 is updated with Q2. The counters can be read via the SIFCNT register. If the SIFCNTRST bit is set, each read access will reset the counters, otherwise the counters remain unchanged when read. If a count event occurs during a read access the count is postponed until the end of the read access but multiple count events during a read access will increment the counters only once. When SIFEN = 0, both counters are held in reset.

SIFCNT1 can increment or decrement based on Q1 and Q2. When SIFCNT1ENM = 1, SIFCNT1 decrements on a transition to a state where bit Q2 is set. When SIFCNT1ENP = 1, SIFCNT1 increments on a transition to a state where bit Q1 is set. When both bits SIFCNT1ENM and SIFCNT1ENP are set, and both bits Q1 and Q2 are set on a state transition, SIFCNT1 does not increment or decrement.

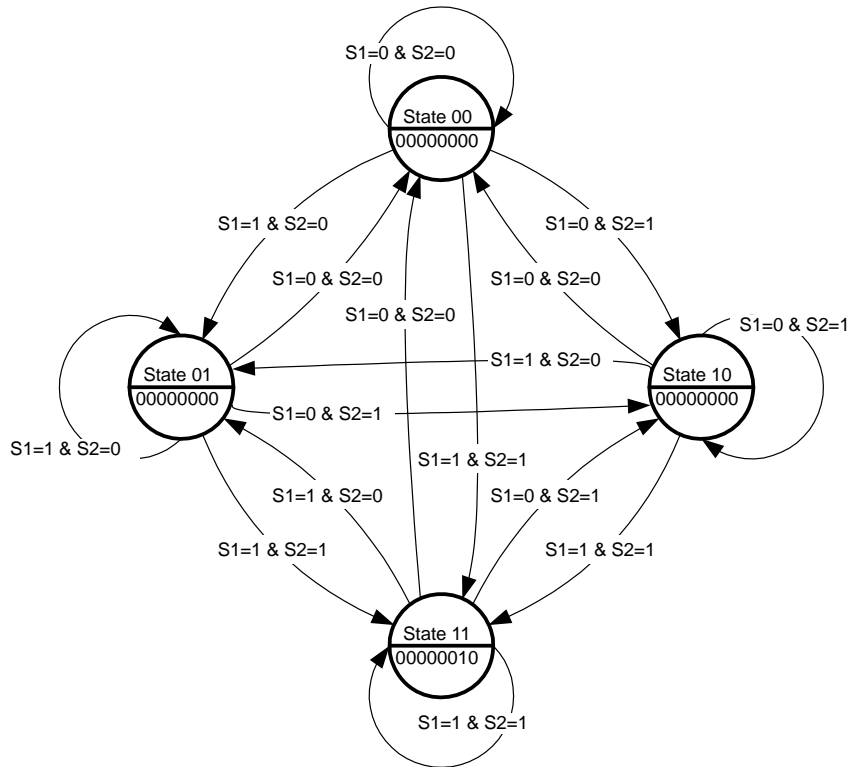
SIFCNT2 decrements based on Q2. When SIFCNT2EN = 1, SIFCNT2 decrements on a transition to a state where bit Q2 is set. On the first count after a reset SIFCNT2 will roll over from zero to 255 (0FFh).

When the next state is calculated to be the same state as the current state, the counters SIFCNT1 and SIFCNT2 are incremented or decremented according to Q1 and Q2 at the state transition. For example, if the current state is 05h and Q2 is set, and if the next state is calculated to be 05h, the transition from state 05h to 05h will decrement SIFCNT2 if SIFCNT2EN = 1.

Simplest State Machine

Figure 32–12 shows the simplest state machine that can be realized with the PSM. The following code shows the corresponding state table and the PSM initialization.

Figure 32–12. Simplest PSM State Diagram



```

; Simplest State Machine Example
SIMPLEST_PSM db 000h      ; State 00 (State Table Index 0)
               db 000h      ; State 01 (State Table Index 1)
               db 000h      ; State 10 (State Table Index 2)
               db 002h      ; State 11 (State Table Index 3)

```

```

PSM_INIT
MOV  #SIMPLEST_PSM,&SIFPSMV    ; Init PSM vector
MOV  #SIFS20,&SIFCTL3         ; S1/S2 source
MOV  #SIFCNT1ENP+SIFCNT1ENM,&SIFCTL4
; Q7 and Q6 disabled for next state calc.
; Increment and decrement of SIFCNT1 enabled

```

If the PSM is in state 01 of the simplest state machine and the PSM has loaded the corresponding byte at index 01h of the state table:

Q7	Q6	Q5	Q4	Q3	Q2	Q1	Q0
0	0	0	0	0	0	0	0

For this example, S1 and S2 are set at the end of the next TSM sequence. To calculate the next state the bits Q5 - Q3 and Q0 of the state 01 table entry, together with the S1 and S2 signals are combined to form the next state:

Q7	Q6	Q5	Q4	Q3	Q0	S2	S1
0	0	0	0	0	0	1	1

The state table entry for state 11 is loaded at the next state transition:

Q7	Q6	Q5	Q4	Q3	Q2	Q1	Q0
0	0	0	0	0	0	1	0

Q1 is set in state 11, so SIFCNT1 will be incremented.

More complex state machines can be built by combining simple state machines to meet the requirements of specific applications.

32.2.4 Scan IF Debug Register

The Scan IF peripheral has a SIFDEBUG register for debugging and development. Only the lower two bits should be written when writing to the SIFDEBUG register and only `MOV` instructions should be used write to SIFDEBUG. After writing the lower two bits, reading the SIFDEBUG contents gives the user different information. After writing 00h to SIFDEBUG, reading SIFDEBUG shows the last address read by the PSM. After writing 01h to SIFDEBUG, reading SIFDEBUG shows the index of the TSM and the PSM bits Q7 to Q0. After writing 02h to SIFDEBUG, reading SIFDEBUG shows the TSM output. After writing 03h to SIFDEBUG, reading SIFDEBUG shows which DAC register is selected and its contents.

32.2.5 Scan IF Interrupts

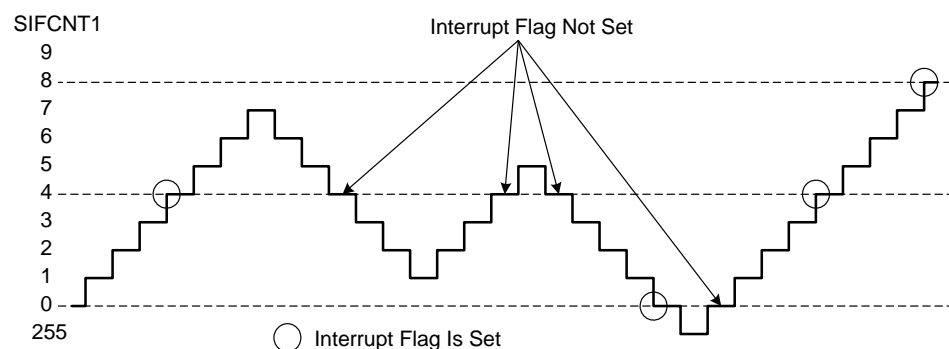
The Scan IF has one interrupt vector for seven interrupt flags listed in Table 32–7. Each interrupt flag has its own interrupt enable bit. When an interrupt is enabled, and the GIE bit is set, the interrupt flag will generate an interrupt. The interrupt flags are not automatically cleared. They must be cleared with software.

Table 32–7. Scan IF Interrupts

Interrupt Flag	Interrupt Condition
SIFIFG0	SIFIFG0 is set by one of the AFE SIFxOUT outputs selected with the SIFIFGSETx bits.
SIFIFG1	SIFIFG1 is set by the rising edge of the SIFSTOP(tsm) signal.
SIFIFG2	SIFIFG2 is set at the start of a TSM sequence.
SIFIFG3	SIFIFG3 is set at different count intervals of the SIFCNT1 counter, selected with the SIFIS1x bits.
SIFIFG4	SIFIFG4 is set at different count intervals of the SIFCNT2 counter, selected with the SIFIS2x bits.
SIFIFG5	SIFIFG5 is set when the PSM transitions to a state with Q6 set.
SIFIFG6	SIFIFG6 is set when the PSM transitions to a state with Q7 set.

Interrupt flags SIFIFG3 and SIFIFG4 have hysteresis so that the interrupt flag is set only once if the counter oscillates around the interrupt level as shown in Figure 32–13.

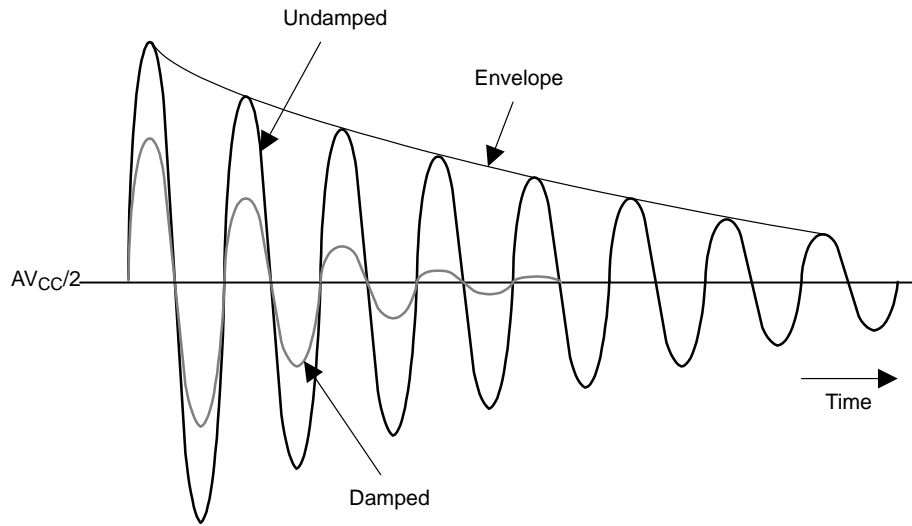
Figure 32–13. Interrupt Hysteresis Shown For Modulo 4 Interrupt Generation



32.2.6 Using the Scan IF with LC Sensors

Systems with LC sensors use a disk that is partially covered with a damping material to measure rotation. Rotation is measured with LC sensors by exciting the sensors and observing the resulting oscillation. The oscillation is either damped or un-damped by the rotating disk. The oscillation is always decaying because of energy losses but it decays faster when the damping material on the disk is within the field of the LC sensor, as shown in Figure 32–14. The LC oscillations can be measured with the oscillation test or the envelope test.

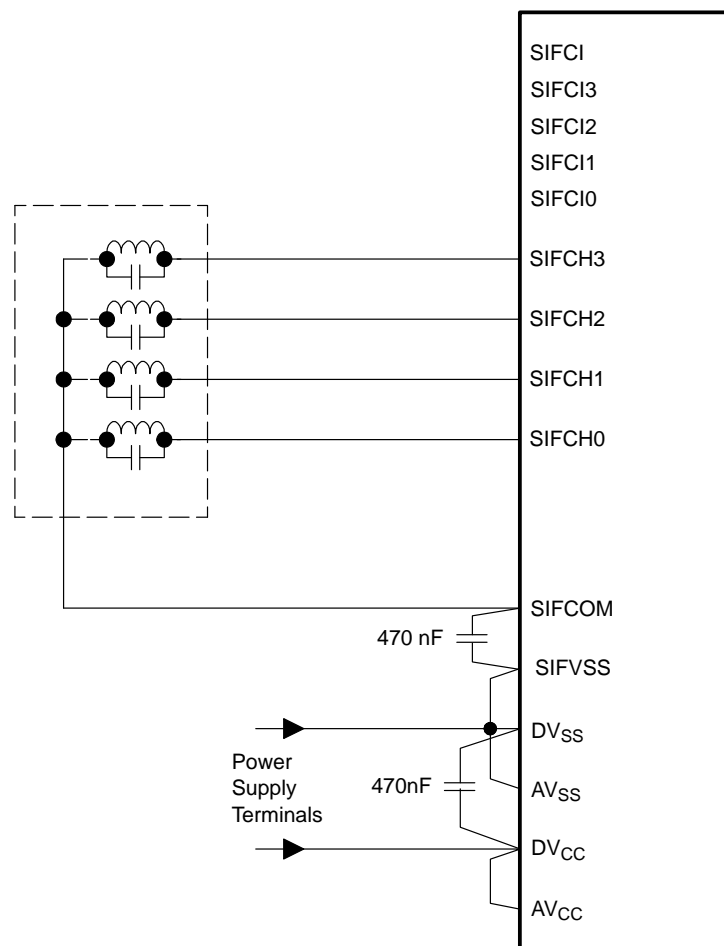
Figure 32–14. LC Sensor Oscillations



32.2.6.1 LC-Sensor Oscillation Test

The oscillation test tests if the amplitude of the oscillation after sensor excitation is above a reference level. The DAC is used to set the reference level for the comparator, and the comparator detects if the LC sensor oscillations are above or below the reference level. If the oscillations are above the reference level, the comparator will output a pulse train corresponding to the oscillations and the selected AFE output bit will 1. The measurement timing and reference level depend on the sensors and the system and should be chosen such that the difference between the damped and the undamped amplitude is maximized. Figure 32–15 shows the connections for the oscillation test.

Figure 32–15. LC Sensor Connections For The Oscillation Test



32.2.6.2 LC-Sensor Envelope Test

The envelop test measures the decay time of the oscillations after sensor excitation. The oscillation envelope is created by the diodes and RC filters. The DAC is used to set the reference level for the comparator, and the comparator detects if the oscillation envelop is above or below the reference level. The comparator and AFE outputs are connected to Timer1_A5 and the capture/compare registers for Timer1_A5 are used to time the decay of the oscillation envelope. The PSM is not used for the envelope test.

When the sensors are connected to the individual SIFCIx inputs as shown in Figure 32–16, the comparator reference level can be adjusted for each sensor individually. When all sensors are connected to the SIFCI input as shown in Figure 32–17, only one comparator reference level is set for all sensors.

Figure 32–16. LC Sensor Connections For The Envelope Test

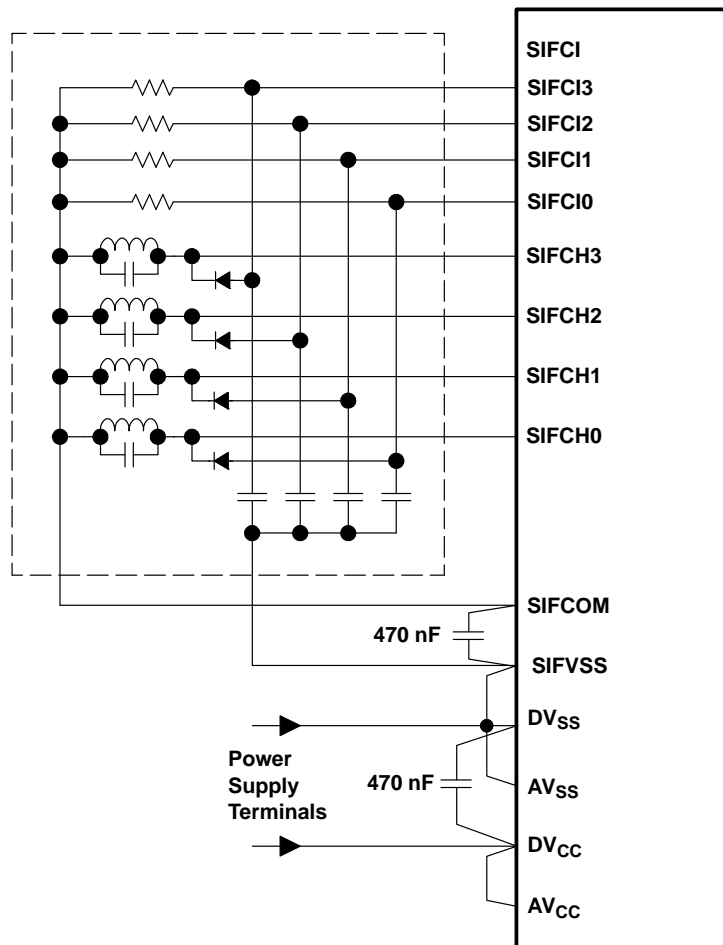
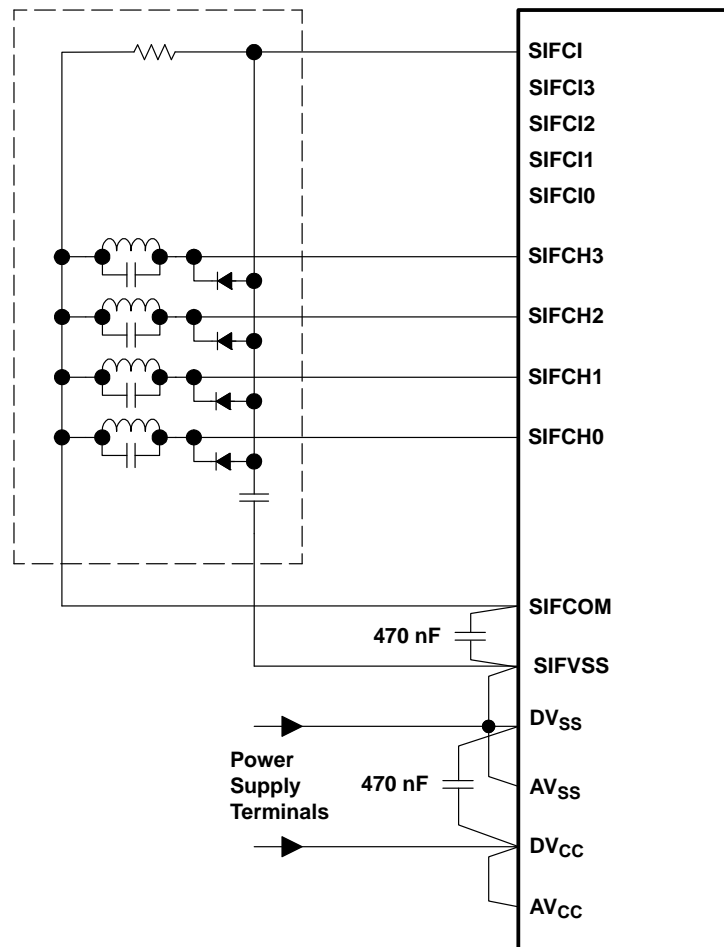


Figure 32–17. LC Sensor Connections For The Envelope Test

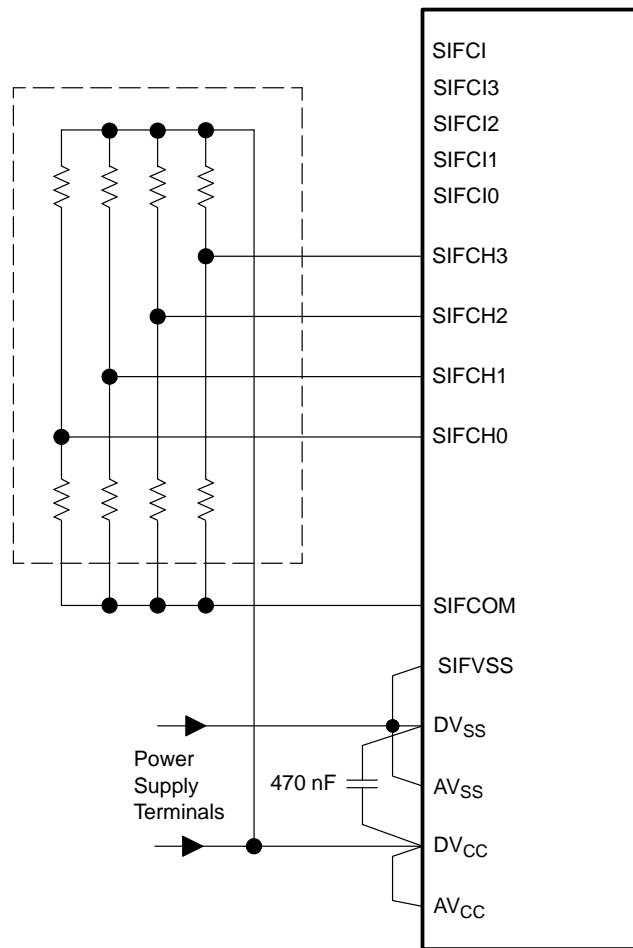


32.2.7 Using the Scan IF With Resistive Sensors

Systems with GMRs use magnets on an impeller to measure rotation. The damping material and magnets modify the electrical behavior of the sensor so that rotation and direction can be detected.

Rotation is measured with resistive sensors by connecting the resistor dividers to ground for a short time allowing current flow through the dividers. The resistors are affected by the rotating disc creating different divider voltages. The divider voltages are sampled with the sample-and-hold circuits. After the signals have settled the dividers may be switched off to prevent current flow and reduce power consumption. The DAC is used to set the reference level for the comparator, and the comparator detects if the sampled voltage is above or below the reference level. If the sampled voltage is above the reference level the comparator output is high. Figure 32–18 shows the connection for resistive sensors.

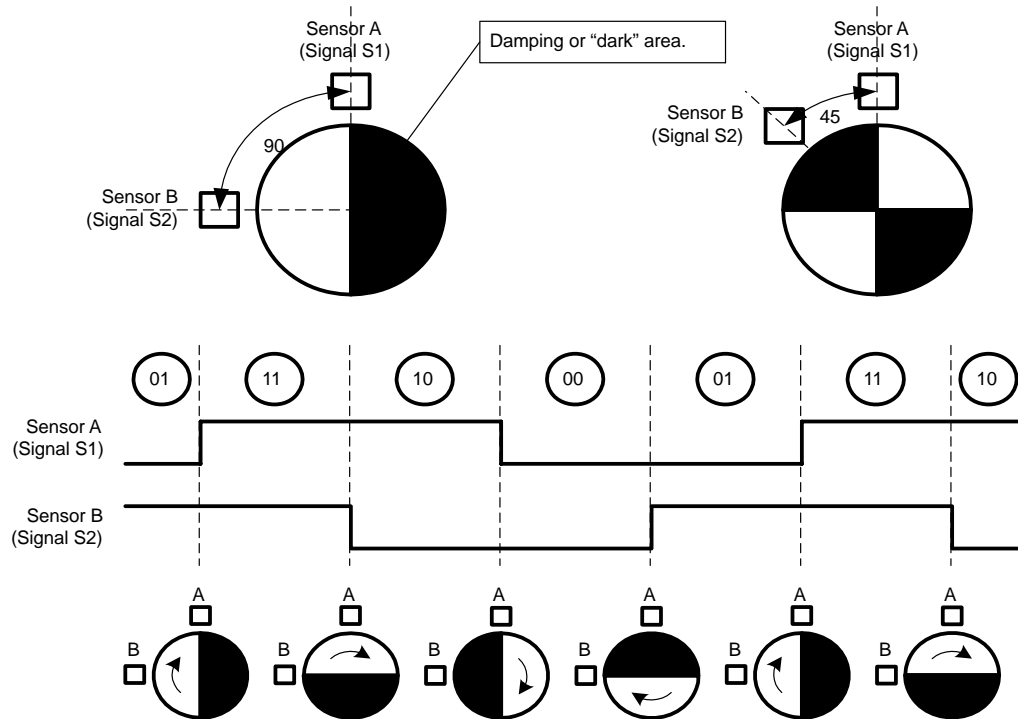
Figure 32–18. Resistive Sensor Connections



32.2.8 Quadrature Decoding

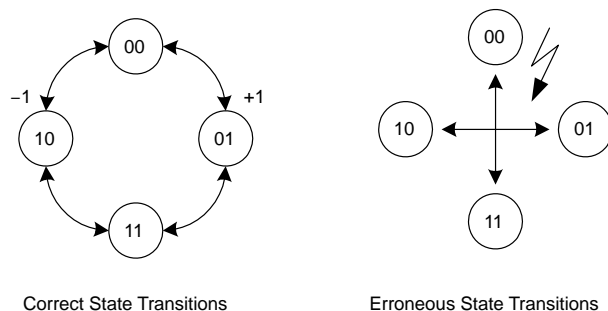
The Scan IF can be used to decode quadrature-encoded signals. Signals that are 90° out of phase with each other are said to be in quadrature. To create the signals, two sensors are positioned depending on the slotting, or coating of the encoder disk. Figure 32–19 shows two examples for the sensor positions and a quadrature-encoded signal waveform.

Figure 32–19. Sensor Position and Quadrature Signals



Quadrature decoding requires knowing the previous quadrature pair S1 and S2, as well as the current pair. Comparing these two pairs will tell the direction of the rotation. For example, if the current pair is 00 it can change to 01 or 10, depending on direction. Any other change in the signal pair would represent an error as shown in Figure 32–20.

Figure 32–20. Quadrature Decoding State Diagram



To transfer the state encoding into counts it is necessary to decide what fraction of the rotation should be counted and on what state transitions. In this example only full rotations will be counted on the transition from state 00 to 01 or 10 using a 180° disk with the sensors 90° apart. All the possible state transitions can be put into a table and this table can be translated into the corresponding state table entries for the processing state machine as shown in Table 32–8.

Table 32–8. Quadrature Decoding PSM Table

Previous Quadrature Pair	Current Quadrature Pair	Movement	State Table Entry					
			Q6	Q2	Q1	Q3	Q0	
			Error	-1	+1	Current Quadrature Pair	Byte Code	
00	00	No Rotation	0	0	0	0	0	000h
00	01	Turns right, +1	0	0	1	0	1	003h
00	10	Turns left, -1	0	1	0	1	0	00Ch
00	11	Error	1	0	0	1	1	049h
01	00	Turns left	0	0	0	0	0	000h
01	01	No rotation	0	0	0	0	1	001h
01	10	Error	1	0	0	1	0	048h
01	11	Turns right	0	0	0	1	1	009h
10	00	Turns right	0	0	0	0	0	000h
10	01	Error	1	0	0	0	1	041h
10	10	No rotation	0	0	0	1	0	008h
10	11	Turns left	0	0	0	1	1	009h
11	00	Error	1	0	0	0	0	040h
11	01	Turns left	0	0	0	0	1	001h
11	10	Turns right	0	0	0	1	0	008h
11	11	No rotation	0	0	0	1	1	009h

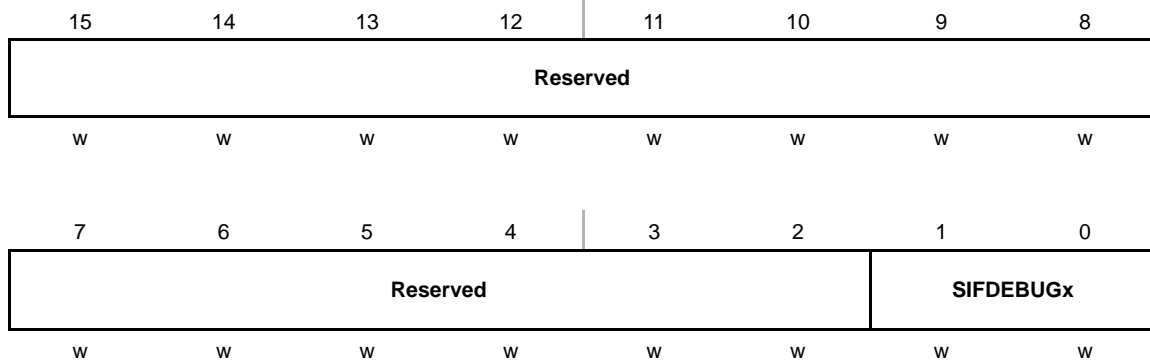
32.3 Scan IF Registers

The Scan IF registers are listed in Table 32–9.

Table 32–9. Scan IF Registers

Register	Short Form	Register Type	Address	Initial State
Scan IF debug register	SIFDEBUG	Read/write	01B0h	Unchanged
Scan IF counter 1 and 2	SIFCNT	Read only	01B2h	Reset with PUC
Scan IF PSM vector	SIFPSMV	Read/write	01B4h	Unchanged
Scan IF control 1	SIFCTL1	Read/write	01B6h	Reset with PUC
Scan IF control 2	SIFCTL2	Read/write	01B8h	Reset with PUC
Scan IF control 3	SIFCTL3	Read/write	01BAh	Reset with PUC
Scan IF control 4	SIFCTL4	Read/write	01BCh	Reset with PUC
Scan IF control 5	SIFCTL5	Read/write	01BEh	Reset with PUC
Scan IF DAC 0	SIFDACR0	Read/write	01C0h	Unchanged
Scan IF DAC 1	SIFDACR1	Read/write	01C2h	Unchanged
Scan IF DAC 2	SIFDACR2	Read/write	01C4h	Unchanged
Scan IF DAC 3	SIFDACR3	Read/write	01C6h	Unchanged
Scan IF DAC 4	SIFDACR4	Read/write	01C8h	Unchanged
Scan IF DAC 5	SIFDACR5	Read/write	01CAh	Unchanged
Scan IF DAC 6	SIFDACR6	Read/write	01CCh	Unchanged
Scan IF DAC 7	SIFDACR7	Read/write	01CEh	Unchanged
Scan IF TSM 0	SIFTSM0	Read/write	01D0h	Unchanged
Scan IF TSM 1	SIFTSM1	Read/write	01D2h	Unchanged
Scan IF TSM 2	SIFTSM2	Read/write	01D4h	Unchanged
Scan IF TSM 3	SIFTSM3	Read/write	01D6h	Unchanged
Scan IF TSM 4	SIFTSM4	Read/write	01D8h	Unchanged
Scan IF TSM 5	SIFTSM5	Read/write	01DAh	Unchanged
Scan IF TSM 6	SIFTSM6	Read/write	01DCh	Unchanged
Scan IF TSM 7	SIFTSM7	Read/write	01DEh	Unchanged
Scan IF TSM 8	SIFTSM8	Read/write	01E0h	Unchanged
Scan IF TSM 9	SIFTSM9	Read/write	01E2h	Unchanged
Scan IF TSM 10	SIFTSM10	Read/write	01E4h	Unchanged
Scan IF TSM 11	SIFTSM11	Read/write	01E6h	Unchanged
Scan IF TSM 12	SIFTSM12	Read/write	01E8h	Unchanged
Scan IF TSM 13	SIFTSM13	Read/write	01EAh	Unchanged
Scan IF TSM 14	SIFTSM14	Read/write	01ECh	Unchanged
Scan IF TSM 15	SIFTSM15	Read/write	01EEh	Unchanged
Scan IF TSM 16	SIFTSM16	Read/write	01F0h	Unchanged
Scan IF TSM 17	SIFTSM17	Read/write	01F2h	Unchanged
Scan IF TSM 18	SIFTSM18	Read/write	01F4h	Unchanged
Scan IF TSM 19	SIFTSM19	Read/write	01F6h	Unchanged
Scan IF TSM 20	SIFTSM20	Read/write	01F8h	Unchanged
Scan IF TSM 21	SIFTSM21	Read/write	01FAh	Unchanged
Scan IF TSM 22	SIFTSM22	Read/write	01FCh	Unchanged
Scan IF TSM 23	SIFTSM23	Read/write	01FEh	Unchanged

SIFDEBUG, Scan IF Debug Register, Write Mode

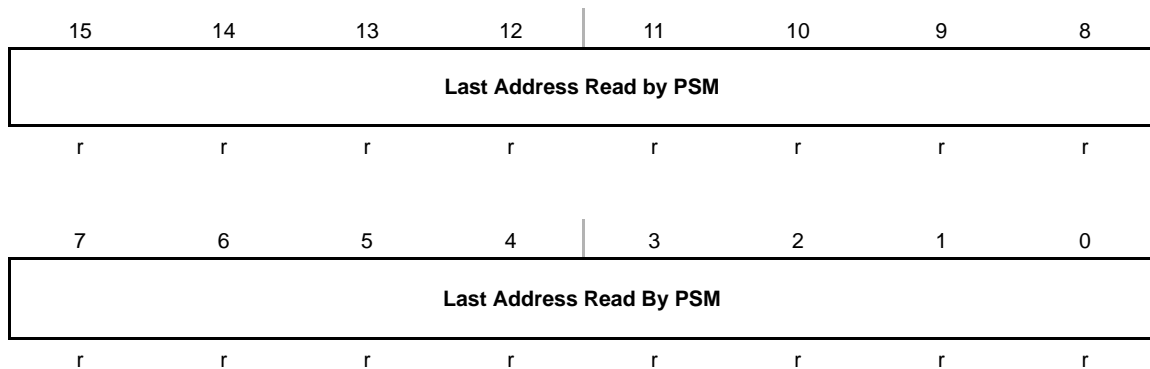


Reserved Bits 15-2 Reserved. Must be written as zero.

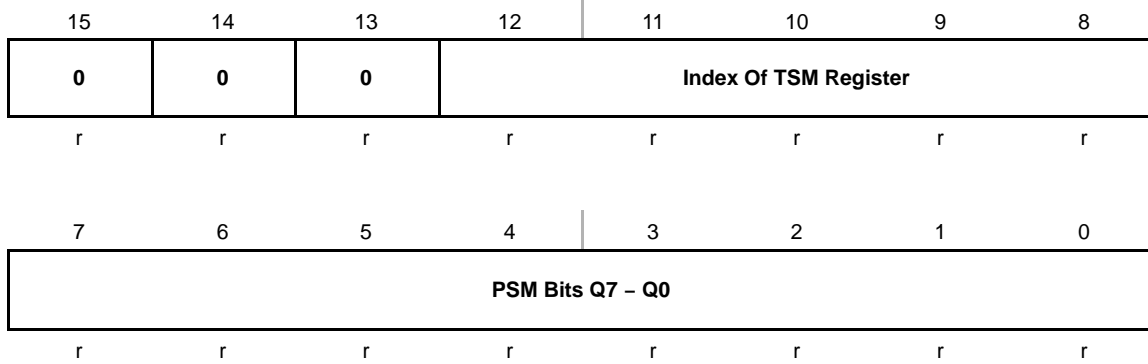
SIFDEBUGx Bits 1-0 SIFDEBUG register mode. Writing these bits selects the read-mode of the SIFDEBUG register. SIFDEBUG must be written with MOV instructions only.

- 00 When read, SIFDEBUG shows the last address read by the PSM
- 01 When read, SIFDEBUG shows the value of the TSM state pointer and the PSM bits Q7 - Q0
- 10 When read, SIFDEBUG shows the contents of the current SIFTSMx register.
- 11 When read, SIFDEBUG shows the currently selected DAC register and its contents.

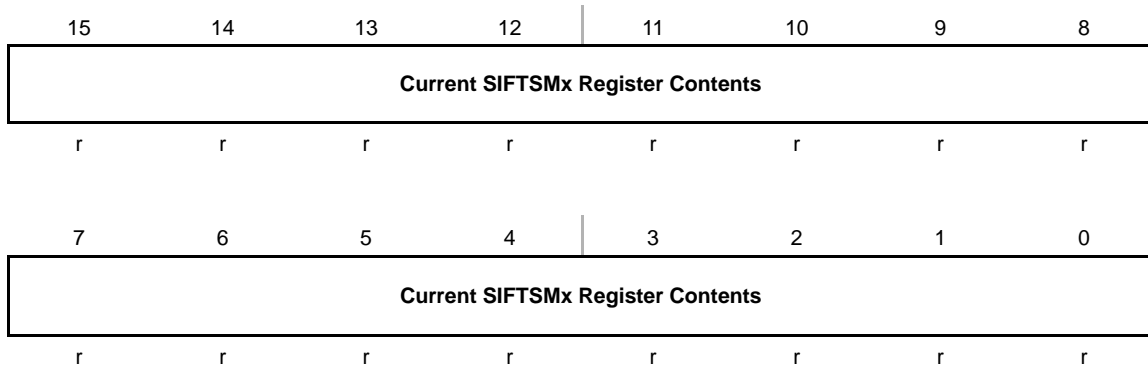
SIFDEBUG, Scan IF Debug Register, Read Mode After 00h Is Written



Last PSM Bits 15-0 When SIFDEBUG is read, after 00h has been written to it, SIFDEBUG shows the last address read by the PSM.

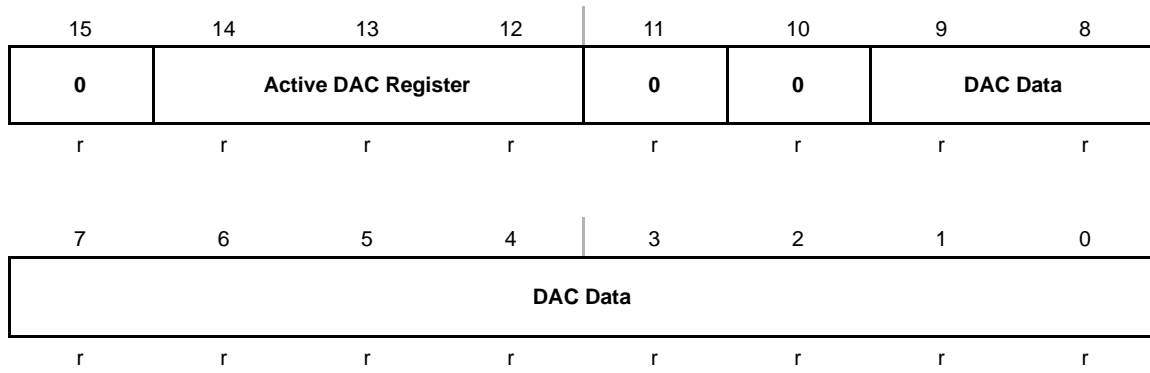
SIFDEBUG, Scan IF Debug Register, Read Mode After 01h Is Written

Unused	Bits 15-13	Unused. After 01h is written to SIFDEBUG, these bits are always read as zero.
TSM Index	Bits 12-8	When SIFDEBUG is read, after 01h is written to it, these bits show the TSM register pointer index.
PSM Bits	Bits 7-0	When SIFDEBUG is read, after 01h is written to it, these bits show the PSM bits Q7 to Q0.

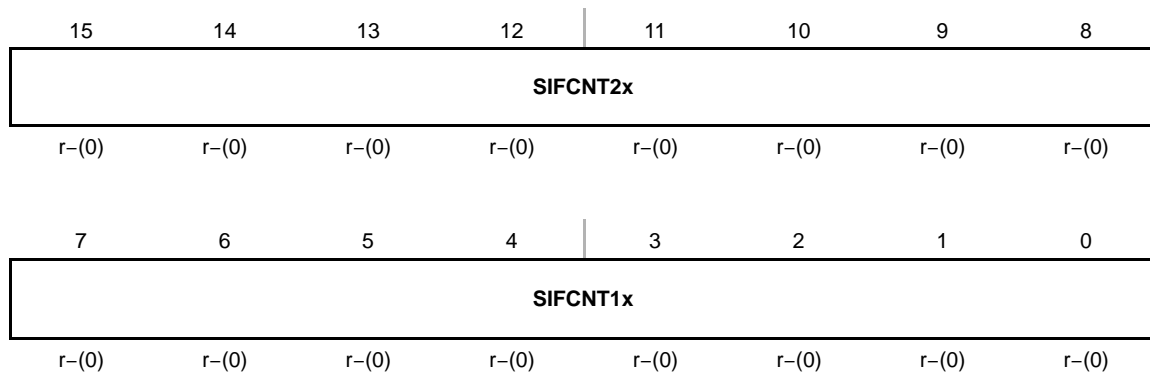
SIFDEBUG, Scan IF Debug Register, Read Mode After 02h Is Written

Bits 15-0	When SIFDEBUG is read, after 02h is written to it, these bits show the TSM output.
--------------	--

SIFDEBUG, Scan IF Debug Register, Read Mode After 03h Is Written

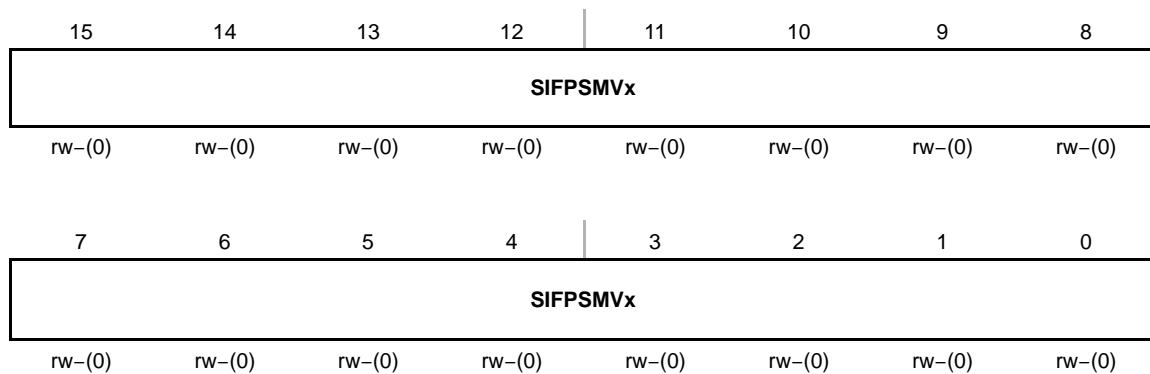


- | | | |
|---------------|--------|--|
| Unused | Bit 15 | Unused. After 03h is written to SIFDEBUG, this bit is always read as zero. |
|---------------|--------|--|
- | | | |
|---------------------|------------|---|
| DAC Register | Bits 14-12 | When SIFDEBUG is read, after 03h is written to it, these bits show which DAC register is currently selected to control the DAC. |
|---------------------|------------|---|
- | | | |
|---------------|------------|---|
| Unused | Bits 11-10 | Unused. After 03h is written to SIFDEBUG, these bits are always read as zero. |
|---------------|------------|---|
- | | | |
|-----------------|----------|--|
| DAC Data | Bits 9-0 | When SIFDEBUG is read, after 03h is written to it, these bits show value of the currently-selected DAC register. |
|-----------------|----------|--|

SIFCNT, Scan IF Counter Register

SIFCNT2x Bits 15-8 SIFCNT2. These bits are the SIFCNT2 counter. SIFCNT2 is reset when SIFEN = 0 or if read when SIFCNTRST = 1.

SIFCNT1x Bits 7-0 SIFCNT1. These bits are the SIFCNT1 counter. SIFCNT1 is reset when SIFEN = 0 or if read when SIFCNTRST = 1.

SIFPSMV, Scan IF Processing State Machine Vector Register

SIFPSMVx Bits 15-0 SIF PSM vector. These bits are the address for the first state in the PSM state table.

SIFCTL1, Scan IF Control Register 1

15	14	13	12	11	10	9	8
SIFIE6	SIFIE5	SIFIE4	SIFIE3	SIFIE2	SIFIE1	SIFIE0	SIFIFG6
rw-(0)	rw-(0)	rw-(0)	rw-(0)	rw-(0)	rw-(0)	rw-(0)	rw-(0)
7	6	5	4	3	2	1	0
SIFIFG5	SIFIFG4	SIFIFG3	SIFIFG2	SIFIFG1	SIFIFG0	SIFTESTD	SIFEN
rw-(0)	rw-(0)	rw-(0)	rw-(0)	rw-(0)	rw-(0)	rw-(0)	rw-(0)

SIFIE_x	Bits 15-9	Interrupt enable. These bits enable or disable the interrupt request for the SIFIFG _x bits. 0 Interrupt disabled 1 Interrupt enabled
SIFIFG6	Bit 8	SIF interrupt flag 6. This bit is set when the PSM transitions to a state with a set Q7 bit. SIFIFG6 must be reset with software. 0 No interrupt pending 1 Interrupt pending
SIFIFG5	Bit 7	SIF interrupt flag 5. This bit is set when the PSM transitions to a state with a set Q6 bit. SIFIFG5 must be reset with software. 0 No interrupt pending 1 Interrupt pending
SIFIFG4	Bit 6	SIF interrupt flag 4. This bit is set by the SIFCNT2 counter conditions selected with the SIFIS2 _x bits. SIFIFG4 must be reset with software. 0 No interrupt pending 1 Interrupt pending
SIFIFG3	Bit 5	SIF interrupt flag 3. This bit is set by the SIFCNT1 counter conditions selected with the SIFIS1 _x bits. SIFIFG3 must be reset with software. 0 No interrupt pending 1 Interrupt pending
SIFIFG2	Bit 4	SIF interrupt flag 2. This bit is set at the start of a TSM sequence. SIFIFG2 must be reset with software. 0 No interrupt pending 1 Interrupt pending
SIFIFG1	Bit 3	SIF interrupt flag 1. This bit is set by the rising edge of the SIFSTOP(tsm) signal. SIFIFG1 must be reset with software. 0 No interrupt pending 1 Interrupt pending

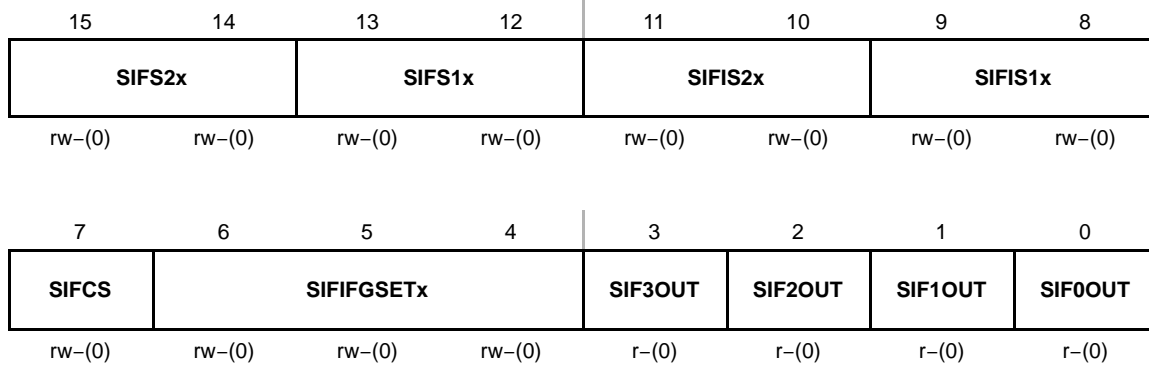
SIFFG0	Bit 2	SIF interrupt flag 0. This bit is set by the SIFxOUT conditions selected by the SIFIFGSETx bits. SIFIFG0 must be reset with software. 0 No interrupt pending 1 Interrupt pending
SIFTESTD	Bit 1	Test cycle insertion. Setting this bit inserts a test cycle between TSM cycles. SIFTESTD is automatically reset at the end of the test cycle. 0 No test cycle inserted 1 Test cycle inserted between TSM cycles.
SIFEN	Bit 0	Scan interface enable. Setting this bit enables the Scan IF. 0 Scan IF disabled 1 Scan IF enabled

SIFCTL2, Scan IF Control Register 2

15	14	13	12	11	10	9	8
SIFDACON	SIFCAON	SIFCAINV	SIFCAX	SIFCISEL	SIFCACI3	SIFVSS	SIFVCC2
rw-(0)	rw-(0)	rw-(0)	rw-(0)	rw-(0)	rw-(0)	rw-(0)	rw-(0)
7	6	5	4	3	2	1	0
SIFSH	SIFTEN	SIFTCH1x		SIFTCH0x		SIFTCH1 OUT	SIFTCH0 OUT
rw-(0)	rw-(0)	rw-(0)	rw-(0)	rw-(0)	rw-(0)	r-(0)	r-(0)

- SIFDACON** Bit 15 DAC on. Setting this bit turns the DAC on regardless of the TSM control.
0 The DAC is controlled by the TSM.
1 The DAC is on.
- SIFCAON** Bit 14 Comparator on. Setting this bit turns the comparator on regardless of the TSM control.
0 The comparator is controlled by the TSM.
1 The comparator is on.
- SIFCAINV** Bit 13 Invert comparator output
0 Comparator output is not inverted
1 Comparator output is inverted
- SIFCAX** Bit 12 Comparator input select. This bit selects groups of signals for the comparator input.
0 Comparator input is one of the SIFCHx channels, selected with the channel select logic.
1 Comparator input is one of the SIFCIx channels, selected with the channel select logic and the SIFCISEL and SIFCACI3 bits.
- SIFCISEL** Bit 11 Comparator input select. This bit is used with the SIFCACI3 bit to select the comparator input when SIFCAX = 1.
0 Comparator input is one of the SIFCIx channels, selected with the channel select logic and SIFCACI3 bit.
1 Comparator input is the SIFCI channel
- SIFCACI3** Bit 10 Comparator input select. This bit is selects the comparator input when SIFCISEL = 0 and SIFCAX = 1.
0 Comparator input is selected with the channel select logic.
1 Comparator input is SIFCI3.
- SIFVSS** Bit 9 Sample-and-hold SIFV_{SS} select.
0 The ground connection of the sample capacitor is connected to SIFV_{SS}, regardless of the TSM control.
1 The ground connection of the sample capacitor is controlled by the TSM

SIFVCC2	Bit 8	Mid-voltage generator 0 $AV_{CC}/2$ generator is off 1 $AV_{CC}/2$ generator is on if SIFSH = 0
SIFSH	Bit 7	Sample-and-hold enable 0 Sample-and-hold is disabled 1 Sample-and-hold is enabled
SIFTEN	Bit 6	Excitation enable 0 Excitation circuitry is disabled 1 Excitation circuitry is enabled
SIFTCH1x	Bits 5-4	These bits select the comparator input for test channel 1. 00 Comparator input is SIFCH0 when SIFCAX = 0 Comparator input is SIFCI0 when SIFCAX = 1 01 Comparator input is SIFCH1 when SIFCAX = 0 Comparator input is SIFCI1 when SIFCAX = 1 10 Comparator input is SIFCH2 when SIFCAX = 0 Comparator input is SIFCI2 when SIFCAX = 1 11 Comparator input is SIFCH3 when SIFCAX = 0 Comparator input is SIFCI3 when SIFCAX = 1
SIFTCH0x	Bits 3-2	These bits select the comparator input for test channel 0. 00 Comparator input is SIFCH0 when SIFCAX = 0 Comparator input is SIFCI0 when SIFCAX = 1 01 Comparator input is SIFCH1 when SIFCAX = 0 Comparator input is SIFCI1 when SIFCAX = 1 10 Comparator input is SIFCH2 when SIFCAX = 0 Comparator input is SIFCI2 when SIFCAX = 1 11 Comparator input is SIFCH3 when SIFCAX = 0 Comparator input is SIFCI3 when SIFCAX = 1
SIFTCH1 OUT	Bit 1	AFE output for test channel 1
SIFTCH0 OUT	Bit 0	AFE output for test channel 0

SIFCTL3, Scan IF Control Register 3

- SIFS2x** Bits 15-14 S2 source select. These bits select the S2 source for the PSM when SIFCS = 1.
 00 SIF0OUT is the S2 source.
 01 SIF1OUT is the S2 source.
 10 SIF2OUT is the S2 source.
 11 SIF3OUT is the S2 source.
- SIFS1x** Bits 13-12 S1 source select. These bits select the S1 source fro the PSM when SIFCS = 1.
 00 SIF0OUT is the S1 source.
 01 SIF1OUT is the S1 source.
 10 SIF2OUT is the S1 source.
 11 SIF3OUT is the S1 source.
- SIFIS2x** Bits 11-10 SIFIFG4 interrupt flag source
 00 SIFIFG4 is set with each count of SIFCNT2.
 01 SIFIFG4 is set if (SIFCNT2 modulo 4) = 0.
 10 SIFIFG4 is set if (SIFCNT2 modulo 64) = 0.
 11 SIFIFG4 is set when SIFCNT2 decrements from 01h to 00h.
- SIFIS1x** Bits 9-8 SIFIFG3 interrupt flag source
 00 SIFIFG3 is set with each count, up or down, of SIFCNT1.
 01 SIFIFG3 is set if (SIFCNT1 modulo 4) = 0.
 10 SIFIFG3 is set if (SIFCNT1 modulo 64) = 0.
 11 SIFIFG3 is set when SIFCNT1 rolls over from 0FFh to 00h.
- SIFCS** Bit 7 Comparator output/Timer_A input selection
 0 The SIFEX(tsm) signal and the comparator output are connected to the TACCRx inputs.
 1 The SIFxOUT outputs are connected to the TACCRx inputs selected with the SIFS1x and SIFS2x bits.

SIFFGSETx	Bits 6-4	SIFIFG0 interrupt flag source. These bits select when the SIFIFG0 flag is set. 000 SIFIFG0 is set when SIF0OUT is set. 001 SIFIFG0 is set when SIF0OUT is reset. 010 SIFIFG0 is set when SIF1OUT is set. 011 SIFIFG0 is set when SIF1OUT is reset. 100 SIFIFG0 is set when SIF2OUT is set. 101 SIFIFG0 is set when SIF2OUT is reset. 110 SIFIFG0 is set when SIF3OUT is set. 111 SIFIFG0 is set when SIF3OUT is reset.
SIF3OUT	Bit 3	AFE output bit 3
SIF2OUT	Bit 2	AFE output bit 2
SIF1OUT	Bit 1	AFE output bit 1
SIF0OUT	Bit 0	AFE output bit 0

SIFCTL4, Scan IF Control Register 4

15	14	13	12	11	10	9	8
SIFCNTRST	SIFCNT2EN	SIFCNT1 ENM	SIFCNT1 ENP	SIFQ7EN	SIFQ6EN	SIFDIV3Bx	
rw-(0)	rw-(0)	rw-(0)	rw-(0)	rw-(0)	rw-(0)	rw-(0)	rw-(0)
7	6	5	4	3	2	1	0
SIFDIV3Bx	SIFDIV3Ax			SIFDIV2x		SIFDIV1x	
rw-(0)	rw-(0)	rw-(0)	rw-(0)	rw-(0)	rw-(0)	rw-(0)	rw-(0)

- SIFCNTRST** Bit 15 Counter reset. Setting this bit enables the SIFCNT register to be reset when it is read.
0 SIFCNT register is not reset when read
1 SIFCNT register is reset when it is read
- SIFCNT2EN** Bit 14 SIFCNT2 enable
0 SIFCNT2 is disabled
1 SIFCNT2 is enabled
- SIFCNT1 ENM** Bit 13 SIFCNT1 decrement enable
0 SIFCNT1 decrement is disabled
1 SIFCNT1 decrement is enabled
- SIFCNT1 ENP** Bit 12 SIFCNT1 increment enable
0 SIFCNT1 increment is disabled
1 SIFCNT1 increment is enabled
- SIFQ7EN** Bit 11 Q7 enable. This bit enables bit Q7 for the next PSM state calculation when SIFQ6EN = 1.
0 Q7 is not used to determine the next PSM state
1 Q7 is used to determine the next PSM state
- SIFQ6EN** Bit 10 Q6 enable. This bit enables Q6 for the next PSM state calculation.
0 Q6 is not used to determine the next PSM state
1 Q6 is used to determine the next PSM state

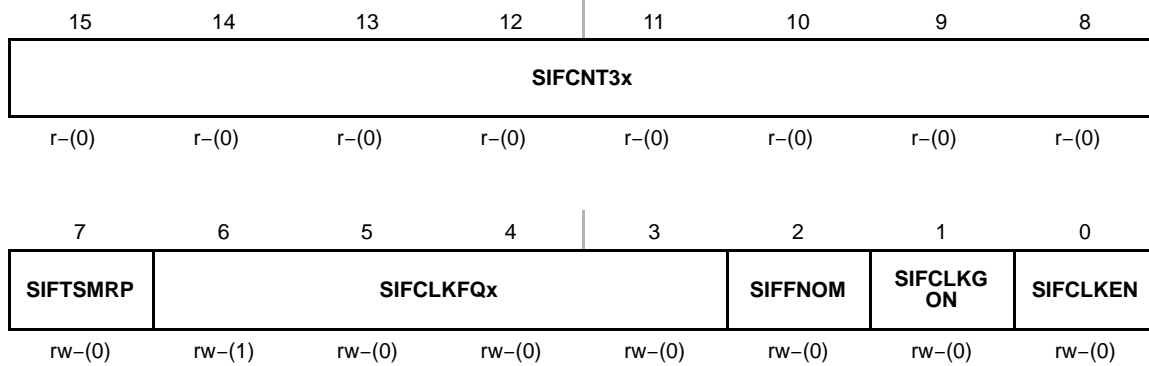
SIFDIV3Bx Bits 9-7 TSM start trigger ACLK divider. These bits together with the SIFDIV3Ax bits select the division rate for the TSM start trigger.

SIFDIV3Ax Bits 6-4 TSM start trigger ACLK divider. These bits together with the SIFDIV3Bx bits select the division rate for the TSM start trigger. The division rate is:

SIFDIV3Bx	SIFDIV3Ax							
	000	001	010	011	100	101	110	111
000	2	6	10	14	18	22	26	30
001	6	18	30	42	54	66	78	90
010	10	30	50	70	90	110	130	150
011	14	42	70	98	126	154	182	210
100	18	54	90	126	162	198	234	270
101	22	66	110	154	198	242	286	330
110	26	78	130	182	234	286	338	390
111	30	90	150	210	270	330	390	450

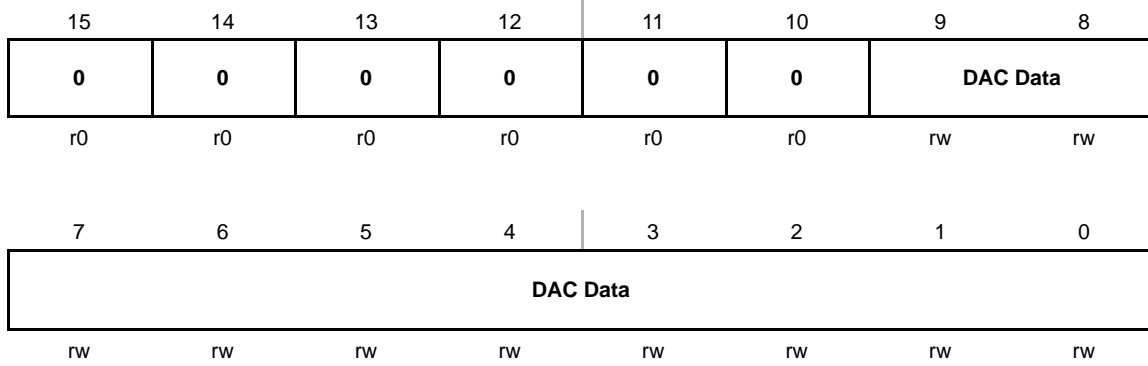
SIFDIV2x Bits 3-2 ACLK divider. These bits select the ACLK division.
 00 /1
 01 /2
 10 /4
 11 /8

SIFDIV1x Bits 1-0 TSM SMCLK divider. These bits select the SMCLK division for the TSM.
 00 /1
 01 /2
 10 /4
 11 /8

SIFCTL5, Scan IF Control Register 5

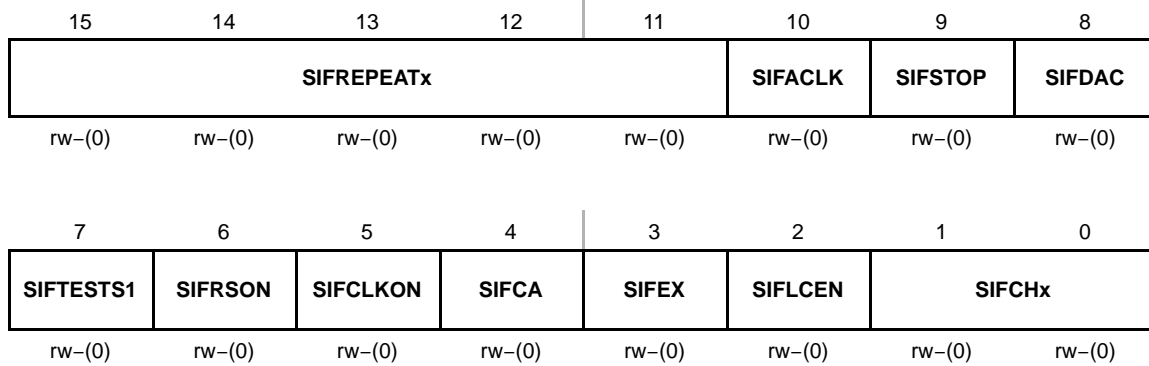
SIFCNT3x	Bits 15-8	Internal oscillator counter. SIFCNT3 counts internal oscillator clock cycles during one ACLK period when SIFFNOM = 0 or during four ACLK periods when SIFFNOM = 1 after SIFCLKGON and SIFCLKEN are both set
SIFTSMRP	Bit 7	TSM repeat mode 0 Each TSM sequence is triggered by the ACLK divider controlled with the SIFDIV3Ax and SIFDIV3Bx bits. 1 Each TSM sequence is immediately started at the end of the previous sequence.
SIFCLKFQx	Bits 6-3	Internal oscillator frequency adjust. These bits are used to adjust the internal oscillator frequency. Each increase or decrease of the SIFCLKFQx bits increases or decreases the internal oscillator frequency by approximately 5%. 0000 Minimum frequency : 1000 Nominal frequency : 1111 Maximum frequency
SIFFNOM	Bit 2	Internal oscillator nominal frequency 0 4 MHz 1 1 MHz
SIFCLKGON	Bit 1	Internal oscillator control. When SIFCLKGON = 1 and SIFCLKEN = 1, the internal oscillator calibration is started. SIFCLKGON is not used when SIFCLKEN = 0. 0 No internal oscillator calibration is started. 1 The internal oscillator calibration is started when SIFCLKEN = 1.
SIFCLKEN	Bit 0	Internal oscillator enable. This bit selects the high frequency clock source for the TSM. 0 TSM high frequency clock source is SMCLK. 1 TSM high frequency clock source is the Scan IF internal oscillator.

SIFDACRx, Digital-To-Analog Converter Registers



Unused Bits 15-10 Unused. These bits are always read as zero, and when written, do not affect the DAC output.

DAC Data Bits 9-0 10-bit DAC data

SIFTSMx, Scan IF Timing State Machine Registers

SIF REPEATx	Bits 15-11	These bits together with the SIFACLK bit configure the duration of this state. SIFREPEATx selects the number of clock cycles for this state. The number of clock cycles = SIFREPEATx + 1.
SIFACLK	Bit 10	This bit selects the clock source for the TSM. 0 The TSM clock source is the high frequency source selected by the SIFCLKEN bit. 1 The TSM clock source is ACLK
SIFSTOP	Bit 9	This bit indicates the end of the TSM sequence. The duration of this state is always one high-frequency clock period, regardless of the SIFACLK and SIFREPEATx settings. 0 TSM sequence continues with next state 1 End of TSM sequence
SIFDAC	Bit 8	TSM DAC on. This bit turns the DAC on during this state when SIFDACON = 0. 0 DAC off during this state. 1 DAC on during this state.
SIFTESTS1	Bit 7	TSM test cycle control. This bit selects for this state which channel-control bits and which DAC registers are used for a test cycle. 0 The SIFTCH0x bits select the channel and SIFDACR6 is used for the DAC 1 The SIFTCH1x bits select the channel and SIFDACR7 is used for the DAC
SIFRSON	Bit 6	Internal output latches enabled. This bit enables the internal latches of the AFE output stage. 0 Output latches disabled 1 Output latches enabled

SIFCLKON	Bit 5	High-frequency clock on. Setting this bit turns the high-frequency clock source on for this state when SIFACLK = 1, even though the high frequency clock is not used for the TSM. When the high-frequency clock is sourced from the DCO, the DCO is forced on for this state, regardless of the MSP430 low-power mode. 0 High-frequency clock is off for this state when SIFACLK = 1 1 High-frequency clock is on for this state when SIFACLK = 1
SIFCA	Bit 4	TSM comparator on. Setting this bit turns the comparator on for this state when SIFCAON = 0. 0 Comparator off during this state 1 Comparator on during this state
SIFEX	Bit 3	Excitation and sample-and-hold. This bit, together with the SIFSH and SIFTEN bits, enables the excitation transistor or samples the input voltage during this state. SIFLCEN must be set to 1 when SIFEX = 1. 0 Excitation transistor disabled when SIFSH = 0 and SIFTEN = 1. Sampling disabled when SIFSH = 1 and SIFTEN = 0. 1 Excitation transistor enabled when SIFSH = 0 and SIFTEN = 1. Sampling enabled when SIFSH = 1 and SIFTEN = 0.
SIFLCEN	Bit 2	LC enable. Setting this bit turns the damping transistor off, enabling the LC oscillations during this state when SIFTEN = 1. 0 All SIFCHx channels are internally damped. No LC oscillations. 1 The selected SIFCHx channel is not internally damped. The LC oscillates.
SIFCHx	Bits 1-0	Input channel select. These bits select the input channel to be measured or excited during this state. 00 SIFCH0 01 SIFCH1 10 SIFCH2 11 SIFCH3

Processing State Machine Table Entry (MSP430 Memory Location)

7	6	5	4	3	2	1	0
Q7	Q6	Q5	Q4	Q3	Q2	Q1	Q0

Q7	Bit 7	When Q7 = 1, SIFIFG6 will be set. When SIFQ6EN = 1 and SIFQ7EN = 1 and Q7 = 1, the PSM proceeds to the next state immediately, regardless of the SIFSTOP(tsm) signal and Q7 is used in the next-state calculation.
Q6	Bit 6	When Q6 = 1, SIFIFG5 will be set. When SIFQ6EN = 1, Q6 will be used in the next-state calculation.
Q5	Bit 5	Bit 5 of the next state
Q4	Bit 4	Bit 4 of the next state
Q3	Bit 3	Bit 3 of the next state
Q2	Bit 2	When Q2 = 1, SIFCNT1 decrements if SIFCNT1ENM = 1 and SIFCNT2 decrements if SIFCNT2EN = 1.
Q1	Bit 1	When Q1 = 1, SIFCNT1 increments if SIFCNT1ENP = 1.
Q0	Bit 0	Bit 2 of the next state

Embedded Emulation Module (EEM)

This chapter describes the Embedded Emulation Module (EEM) that is implemented in all MSP430 flash devices.

Topic	Page
33.1 EEM Introduction	33-2
33.2 EEM Building Blocks	33-4
33.3 EEM Configurations	33-6

33.1 EEM Introduction

Every MSP430 flash-based microcontroller implements an embedded emulation module (EEM). It is accessed and controlled through JTAG. Each implementation is device dependent and is described in section 33.3 *EEM Configurations* and the device data sheet.

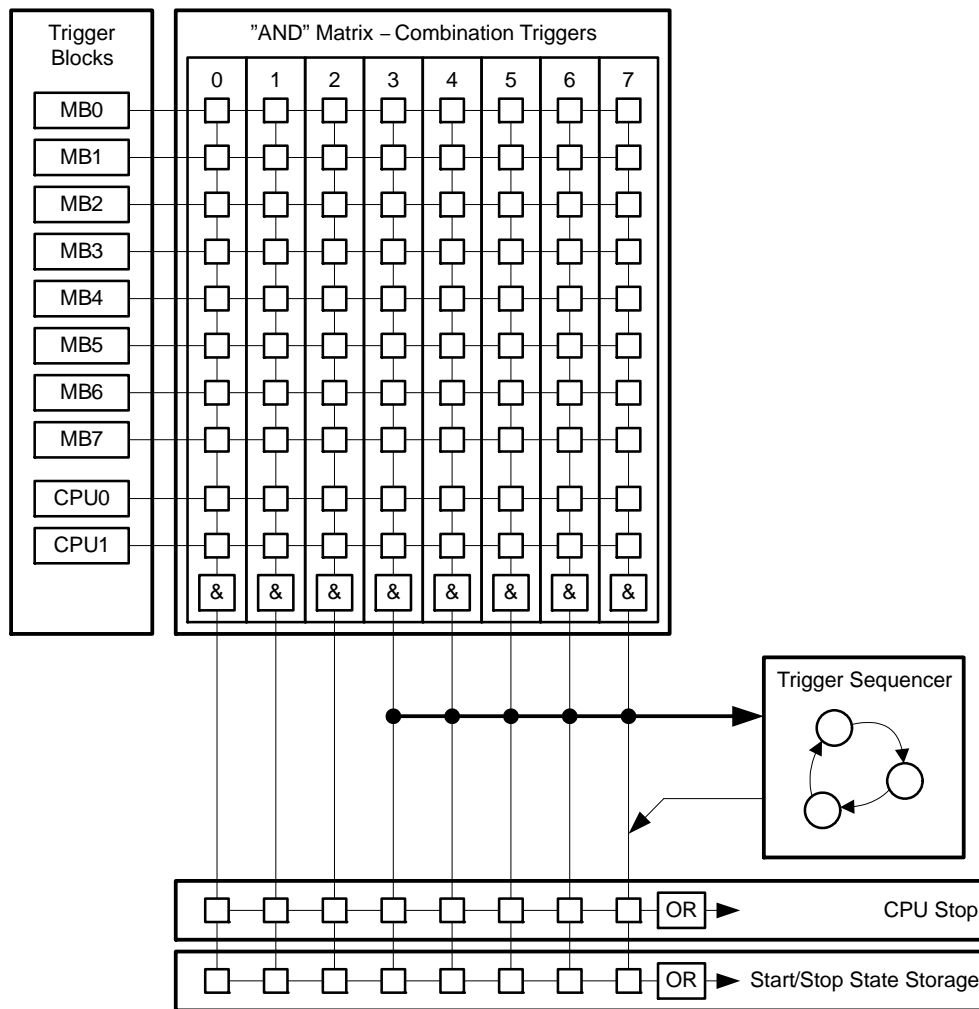
In general, the following features are available:

- Nonintrusive code execution with real-time breakpoint control
- Single step, step into, and step over functionality
- Full support of all low-power modes
- Support for all system frequencies, for all clock sources
- Up to eight (device dependent) hardware triggers/breakpoints on memory address bus (MAB) or memory data bus (MDB)
- Up to two (device dependent) hardware triggers/breakpoints on CPU register write accesses
- MAB, MDB ,and CPU register access triggers can be combined to form up to eight (device dependent) complex triggers/breakpoints
- Trigger sequencing (device dependent)
- Storage of internal bus and control signals using an integrated trace buffer (device dependent)
- Clock control for timers, communication peripherals, and other modules on a global device level or on a per-module basis during an emulation stop

Figure 33–1 shows a simplified block diagram of the largest currently available 4xx EEM implementation.

For more details on how the features of the EEM can be used together with the IAR Embedded Workbench™ debugger see the application report *Advanced Debugging Using the Enhanced Emulation Module* (SLAA263) at www.msp430.com. Code Composer Essentials (CCE) and most other debuggers supporting MSP430 have the same or a similar feature set. For details, see the user's guide of the applicable debugger.

Figure 33-1. Large Implementation of the Embedded Emulation Module (EEM)



33.2 EEM Building Blocks

33.2.1 Triggers

The event control in the EEM of the MSP430 system consists of triggers, which are internal signals indicating that a certain event has happened. These triggers may be used as simple breakpoints, but it is also possible to combine two or more triggers to allow detection of complex events and trigger various reactions besides stopping the CPU.

In general, the triggers can be used to control the following functional blocks of the EEM:

- Breakpoints (CPU stop)
- State storage
- Sequencer

There are two different types of triggers, the memory trigger and the CPU register write trigger.

Each memory trigger block can be independently selected to compare either the MAB or the MDB with a given value. Depending on the implemented EEM the comparison can be =, ≠, ≥, or ≤. The comparison can also be limited to certain bits with the use of a mask. The mask is either bit-wise or byte-wise, depending upon the device. In addition to selecting the bus and the comparison, the condition under which the trigger is active can be selected. The conditions include read access, write access, DMA access, and instruction fetch.

Each CPU register write trigger block can be independently selected to compare what is written into a selected register with a given value. The observed register can be selected for each trigger independently. The comparison can be =, ≠, ≥, or ≤. The comparison can also be limited to certain bits with the use of a bit mask.

Both types of triggers can be combined to form more complex triggers. For example, a complex trigger can signal when a particular value is written into a user-specified address.

33.2.2 Trigger Sequencer

The trigger sequencer allows the definition of a certain sequence of trigger signals before an event is accepted for a break or state storage event. Within the trigger sequencer, it is possible to use the following features:

- Four states (State 0 to State 3)
- Two transitions per state to any other state
- Reset trigger that resets the sequencer to State 0.

The Trigger sequencer always starts at State 0 and must execute to State 3 to generate an action. If State 1 or State 2 are not required, they can be bypassed.

33.2.3 State Storage (Internal Trace Buffer)

The state storage function uses a built-in buffer to store MAB, MDB, and CPU control signal information (ie. read, write, or instruction fetch) in a nonintrusive manner. The built-in buffer can hold up to eight entries. The flexible configuration allows the user to record the information of interest very efficiently.

33.2.4 Clock Control

The EEM provides device dependent flexible clock control. This is useful in applications where a running clock is needed for peripherals after the CPU is stopped (e.g. to allow a UART module to complete its transfer of a character or to allow a timer to continue generating a PWM signal).

The clock control is flexible and supports both modules that need a running clock and modules that must be stopped when the CPU is stopped due to a breakpoint.

33.3 EEM Configurations

Table 33–1 gives an overview of the EEM configurations in the MSP430 4xx family. The implemented configuration is device dependent (see the device-specific data sheet).

Table 33–1. 4xx EEM Configurations

Feature	XS	S	M	L
Memory Bus Triggers	2 (=, ≠ only)	3	5	8
Memory Bus Trigger Mask for	1) Low byte 2) High byte	1) Low byte 2) High byte	1) Low byte 2) High byte	All 16 or 20 bits
CPU Register Write Triggers	0	1	1	2
Combination Triggers	2	4	6	8
Sequencer	No	No	Yes	Yes
State Storage	No	No	No	Yes

In general the following features can be found on any 4xx device:

- At least two MAB/MDB triggers supporting
 - Distinction between CPU, DMA, read, and write accesses
 - =, ≠, ≥, or ≤ comparison (in XS only =, ≠)
- At least two trigger combination registers
- Hardware breakpoints using the CPU Stop reaction
- Clock control with individual control of module clocks
(in some XS configurations, the control of module clocks is hardwired)

Corrections to MSP430x4xx Family User's Guide (SLAU056)

Document Being Updated: *MSP430x4xx Family User's Guide*

Literature Number Being Updated: SLAU056L

Page	Change or Add
293 (5-7)	In Figure 5-4, <i>MSP430x41x2 Frequency-Locked Loop</i> , the values in the DCOPLUS multiplexer are reversed. 1 should be on top, and 0 should be on bottom, similar to what is shown in Figure 5-1 through Figure 5-3.
333 (6-25)	In <i>FCTL3, Flash Memory Control Register FCTL3</i> , the BUSY bit is shown as "r(w)-0". The correct value is "r-0".
452 (15-4)	Change from: TAR may be cleared by setting the TACLRL bit. Setting TACLRL also clears the clock divider and count direction for up/down mode. To: TAR may be cleared by setting the TACLRL bit. Setting TACLRL also clears the clock divider counter logic (the divider setting remains unchanged) and count direction for up/down mode.
457 (15-9)	In this paragraph: The count direction is latched. This allows the timer to be stopped and then restarted in the same direction it was counting before it was stopped. If this is not desired, the TACLRL bit must be set to clear the direction. The TACLRL bit also clears the TAR value and the clock divider. Change the last sentence to: Setting TACLRL also clears the TAR value and the clock divider counter logic (the divider setting remains unchanged).
468 (15-20)	Change the description of the TACLRL bit from: Timer_A clear. Setting this bit resets TAR, the clock divider, and the count direction. The TACLRL bit is automatically reset and is always read as zero. To: Timer_A clear. Setting this bit clears TAR, the clock divider logic (the divider setting remains unchanged), and the count direction. The TACLRL bit is automatically reset and is always read as zero.
476 (16-4)	Change from: TBR may be cleared by setting the TBCLR bit. Setting TBCLR also clears the clock divider and count direction for up/down mode. To: TBR may be cleared by setting the TBCLR bit. Setting TBCLR also clears the clock divider counter logic (the divider setting remains unchanged) and count direction for up/down mode.

- 481 (16-9) In this paragraph:
The count direction is latched. This allows the timer to be stopped and then restarted in the same direction it was counting before it was stopped. If this is not desired, the TBCLR bit must be used to clear the direction. The TBCLR bit also clears the TBR value and the clock divider.
- Change the last sentence to:
Setting TBCLR also clears the TBR value and the clock divider counter logic (the divider setting remains unchanged).
- 494 (16-22) Change the description of the TBCLR bit from:
Timer_B clear. Setting this bit resets TBR, the clock divider, and the count direction. The TBCLR bit is automatically reset and is always read as zero.
- To:
Timer_B clear. Setting this bit clears TBR, the clock divider logic (the divider setting remains unchanged), and the count direction. The TBCLR bit is automatically reset and is always read as zero.
- 688 (23-6) The following note should be added to Section 23.2.6, *Comparator_A Interrupts*:
NOTE: Changing the value of the CAIES bit might set the comparator interrupt flag CAIFG. This can happen even when the comparator is disabled (CAON = 0). It is recommended to clear CAIFG after configuring the comparator for proper interrupt behavior during operation.
- 701 (24-7) The following note should be added to Section 24.2.7, *Comparator_A+ Interrupts*:
NOTE: Changing the value of the CAIES bit might set the comparator interrupt flag CAIFG. This can happen even when the comparator is disabled (CAON = 0). It is recommended to clear CAIFG after configuring the comparator for proper interrupt behavior during operation.
- 822 (29-8) Figure 29-4, *Digital Filter Step Response and Conversion Points*, should be replaced by the following figure.
- 847 (30-9) Figure 30-5, *Digital Filter Step Response and Conversion Points*, should be replaced by the following figure.

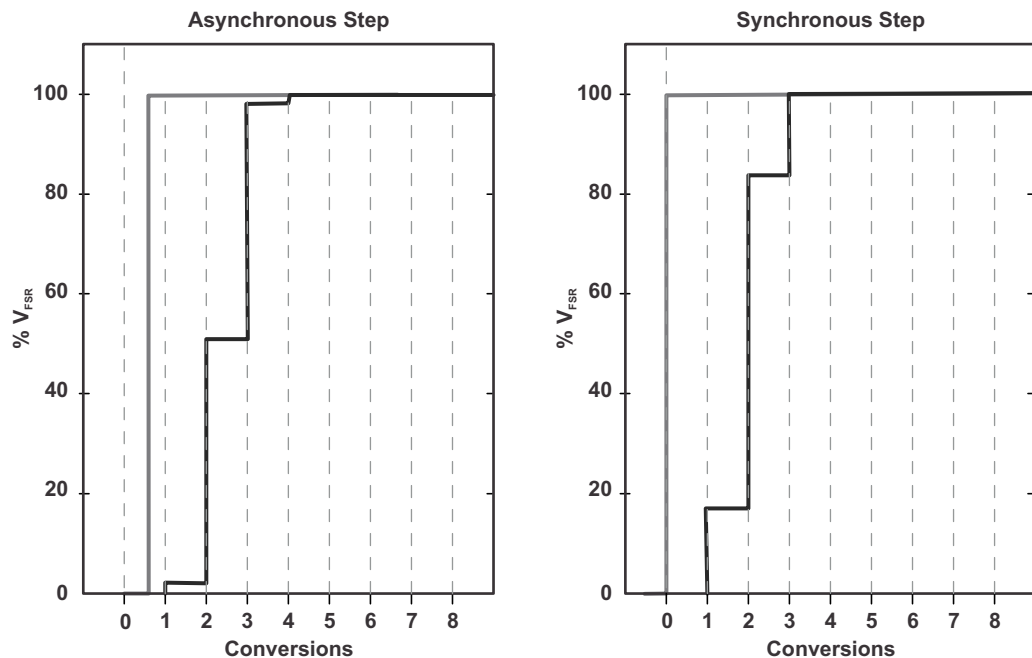


Figure 1. Digital Filter Step Response and Conversion Points

Revision History for Update Sheet (SLAZ553)

Changes from A Revision (April 2015) to B Revision	Page
• Added changes to the description of the TACLRL bit (for pages 452, 457, 468)	1
• Added changes to the description of the TBCLR bit (for pages 476, 481, 494)	1
• Added note for Comparator_A Interrupts (for page 688).....	2
• Added note for Comparator_A+ Interrupts (for page 701)	2

NOTE: Page numbers for previous revisions may differ from page numbers in the current version.

IMPORTANT NOTICE

Texas Instruments Incorporated and its subsidiaries (TI) reserve the right to make corrections, enhancements, improvements and other changes to its semiconductor products and services per JESD46, latest issue, and to discontinue any product or service per JESD48, latest issue. Buyers should obtain the latest relevant information before placing orders and should verify that such information is current and complete. All semiconductor products (also referred to herein as "components") are sold subject to TI's terms and conditions of sale supplied at the time of order acknowledgment.

TI warrants performance of its components to the specifications applicable at the time of sale, in accordance with the warranty in TI's terms and conditions of sale of semiconductor products. Testing and other quality control techniques are used to the extent TI deems necessary to support this warranty. Except where mandated by applicable law, testing of all parameters of each component is not necessarily performed.

TI assumes no liability for applications assistance or the design of Buyers' products. Buyers are responsible for their products and applications using TI components. To minimize the risks associated with Buyers' products and applications, Buyers should provide adequate design and operating safeguards.

TI does not warrant or represent that any license, either express or implied, is granted under any patent right, copyright, mask work right, or other intellectual property right relating to any combination, machine, or process in which TI components or services are used. Information published by TI regarding third-party products or services does not constitute a license to use such products or services or a warranty or endorsement thereof. Use of such information may require a license from a third party under the patents or other intellectual property of the third party, or a license from TI under the patents or other intellectual property of TI.

Reproduction of significant portions of TI information in TI data books or data sheets is permissible only if reproduction is without alteration and is accompanied by all associated warranties, conditions, limitations, and notices. TI is not responsible or liable for such altered documentation. Information of third parties may be subject to additional restrictions.

Resale of TI components or services with statements different from or beyond the parameters stated by TI for that component or service voids all express and any implied warranties for the associated TI component or service and is an unfair and deceptive business practice. TI is not responsible or liable for any such statements.

Buyer acknowledges and agrees that it is solely responsible for compliance with all legal, regulatory and safety-related requirements concerning its products, and any use of TI components in its applications, notwithstanding any applications-related information or support that may be provided by TI. Buyer represents and agrees that it has all the necessary expertise to create and implement safeguards which anticipate dangerous consequences of failures, monitor failures and their consequences, lessen the likelihood of failures that might cause harm and take appropriate remedial actions. Buyer will fully indemnify TI and its representatives against any damages arising out of the use of any TI components in safety-critical applications.

In some cases, TI components may be promoted specifically to facilitate safety-related applications. With such components, TI's goal is to help enable customers to design and create their own end-product solutions that meet applicable functional safety standards and requirements. Nonetheless, such components are subject to these terms.

No TI components are authorized for use in FDA Class III (or similar life-critical medical equipment) unless authorized officers of the parties have executed a special agreement specifically governing such use.

Only those TI components which TI has specifically designated as military grade or "enhanced plastic" are designed and intended for use in military/aerospace applications or environments. Buyer acknowledges and agrees that any military or aerospace use of TI components which have **not** been so designated is solely at the Buyer's risk, and that Buyer is solely responsible for compliance with all legal and regulatory requirements in connection with such use.

TI has specifically designated certain components as meeting ISO/TS16949 requirements, mainly for automotive use. In any case of use of non-designated products, TI will not be responsible for any failure to meet ISO/TS16949.

Products

Audio	www.ti.com/audio
Amplifiers	amplifier.ti.com
Data Converters	dataconverter.ti.com
DLP® Products	www.dlp.com
DSP	dsp.ti.com
Clocks and Timers	www.ti.com/clocks
Interface	interface.ti.com
Logic	logic.ti.com
Power Mgmt	power.ti.com
Microcontrollers	microcontroller.ti.com
RFID	www.ti-rfid.com
OMAP Applications Processors	www.ti.com/omap
Wireless Connectivity	www.ti.com/wirelessconnectivity

Applications

Automotive and Transportation	www.ti.com/automotive
Communications and Telecom	www.ti.com/communications
Computers and Peripherals	www.ti.com/computers
Consumer Electronics	www.ti.com/consumer-apps
Energy and Lighting	www.ti.com/energy
Industrial	www.ti.com/industrial
Medical	www.ti.com/medical
Security	www.ti.com/security
Space, Avionics and Defense	www.ti.com/space-avionics-defense
Video and Imaging	www.ti.com/video

TI E2E Community

e2e.ti.com